

US00D700407S

(12) **United States Design Patent**  
**Paschall et al.**

(10) **Patent No.:** **US D700,407 S**  
(45) **Date of Patent:** **\*\* Feb. 25, 2014**

(54) **AGGRESSIVE EATER CURVED DOG BOWL**

(71) Applicants: **Jonathan Forrest Paschall**, Aurora, CO  
(US); **Ann Louise Paschall**, Denver, CO  
(US)

(72) Inventors: **Jonathan Forrest Paschall**, Aurora, CO  
(US); **Ann Louise Paschall**, Denver, CO  
(US)

(\*\*) Term: **14 Years**

(21) Appl. No.: **29/453,960**

(22) Filed: **May 3, 2013**

|               |         |                                |
|---------------|---------|--------------------------------|
| 3,391,847 A   | 7/1968  | Christine et al.               |
| 3,810,446 A   | 5/1974  | Kightlinger et al.             |
| 3,826,231 A * | 7/1974  | Crawford et al. .... 119/51.12 |
| D236,012 S *  | 7/1975  | Crawford et al. .... D30/122   |
| 3,999,519 A   | 12/1976 | Rodemeyer                      |
| 4,089,414 A   | 5/1978  | Sandor et al.                  |
| D252,288 S    | 7/1979  | Kilham                         |
| 4,248,175 A   | 2/1981  | Navarro                        |
| 4,249,483 A   | 2/1981  | Sobky                          |
| 4,261,468 A   | 4/1981  | Krebs                          |
| 4,370,824 A   | 2/1983  | Resnicow                       |
| 4,421,059 A   | 12/1983 | Cousino                        |
| 4,450,790 A   | 5/1984  | Stansbury, Jr.                 |
| 4,501,229 A   | 2/1985  | Williamson                     |
| D286,333 S    | 10/1986 | Fassauer                       |
| 4,617,874 A   | 10/1986 | Zammarano                      |
| 4,671,210 A * | 6/1987  | Robinson et al. .... 119/51.12 |

(Continued)

**Related U.S. Application Data**

(63) Continuation-in-part of application No. 29/418,709,  
filed on Apr. 19, 2012, now Pat. No. Des. 681,886.

(51) **LOC (10) Cl.** ..... **30-03**

(52) **U.S. Cl.**  
USPC ..... **D30/129; D30/130**

(58) **Field of Classification Search**  
USPC ..... D30/199, 160, 155, 118, 121, 122,  
D30/128-133; D5/65, 99; D10/104;  
D13/168; D11/127, 121, 125;  
119/61.5, 51.01, 61.56, 51.03, 59, 62,  
119/63, 51.5, 57.8, 74, 61.54, 61.55, 53,  
119/53.5, 75, 51.02, 52.3, 57.9, 77  
See application file for complete search history.

(56) **References Cited**

**U.S. PATENT DOCUMENTS**

|             |         |              |
|-------------|---------|--------------|
| 1,289,681 A | 12/1918 | Curtis       |
| 1,843,864 A | 2/1932  | Burnett      |
| 3,050,029 A | 8/1962  | Appleton     |
| 3,360,153 A | 12/1967 | Wheaton, Jr. |

*Primary Examiner* — Susan Moon Lee

(74) *Attorney, Agent, or Firm* — Patent Law Offices of Rick  
Martin, P.C.

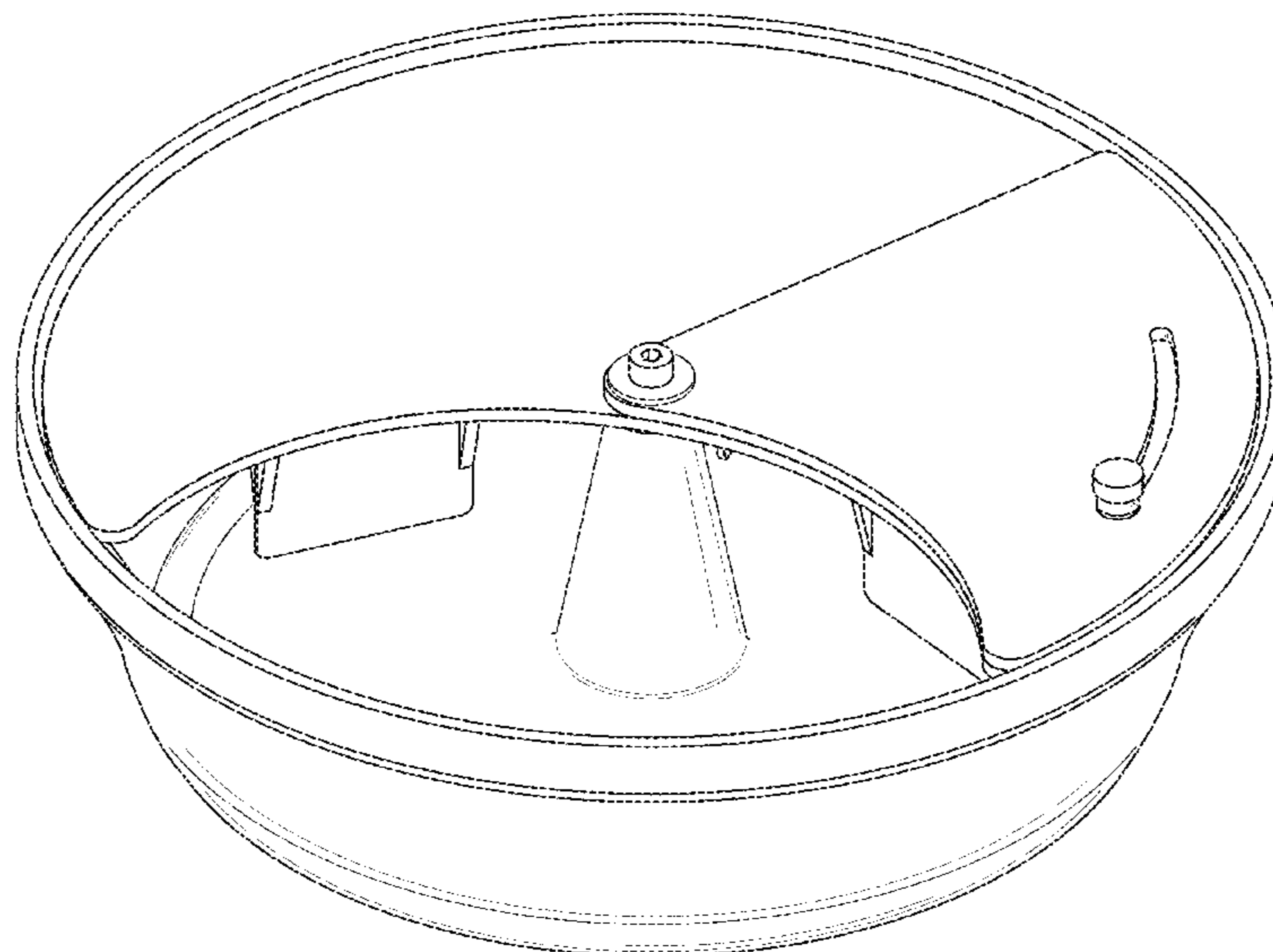
(57) **CLAIM**

The ornamental design for an aggressive eater curved dog  
bowl, as shown and described.

**DESCRIPTION**

FIG. 1 is a front perspective view of our new design for an  
aggressive eater curved dog bowl;  
FIG. 2 is a bottom perspective view of our new invention;  
FIG. 3 is a top plan view of our new invention;  
FIG. 4 is a bottom plan view of our new invention;  
FIG. 5 is a front elevation view of our new invention;  
FIG. 6 is a rear elevation view of our new invention;  
FIG. 7 is a right side elevation view of our new invention; and,  
FIG. 8 is a left side elevation view of our new invention.  
Any portions of the interior of the bowl which are not visible  
in the drawings form no part of the claimed design.

**1 Claim, 5 Drawing Sheets**



(56)

**References Cited**

U.S. PATENT DOCUMENTS

|              |      |         |                  |           |         |         |  |
|--------------|------|---------|------------------|-----------|---------|---------|--|
| 4,805,560    | A    | 2/1989  | Knego et al.     |           |         |         |  |
| 4,919,083    | A    | 4/1990  | Axelrod          |           |         |         |  |
| 4,981,106    | A    | 1/1991  | Nagatomo         |           |         |         |  |
| D317,666     | S    | 6/1991  | Haynes           |           |         |         |  |
| 5,062,390    | A    | 11/1991 | Bescherer et al. |           |         |         |  |
| D323,411     | S    | 1/1992  | Oathout          |           |         |         |  |
| 5,150,664    | A *  | 9/1992  | Kirk             | 119/51.12 |         |         |  |
| 5,176,103    | A    | 1/1993  | Reid et al.      |           |         |         |  |
| D335,370     | S *  | 5/1993  | Kirk             |           | D30/122 |         |  |
| 5,222,461    | A    | 6/1993  | Haynes           |           |         |         |  |
| D339,429     | S *  | 9/1993  | Reid et al.      |           | D30/121 |         |  |
| 5,377,620    | A *  | 1/1995  | Phillippi        | 119/51.12 |         |         |  |
| D376,960     | S *  | 12/1996 | Ferris           |           | D7/629  |         |  |
| 5,669,328    | A *  | 9/1997  | Lanfranchi       | 119/57.92 |         |         |  |
| 5,875,736    | A *  | 3/1999  | Udelle et al.    | 119/706   |         |         |  |
| 5,975,024    | A *  | 11/1999 | Sheaffer         |           |         | 119/477 |  |
| D447,290     | S *  | 8/2001  | Huai             |           |         | D30/129 |  |
| 6,591,785    | B1 * | 7/2003  | Boshears         |           |         | 119/707 |  |
| D560,739     | S *  | 1/2008  | Bernatz          |           |         | D21/794 |  |
| D579,618     | S *  | 10/2008 | Wang et al.      |           |         | D34/7   |  |
| 7,650,855    | B2   | 1/2010  | Krishnamurthy    |           |         |         |  |
| 7,895,975    | B2   | 3/2011  | Markham          |           |         |         |  |
| D652,181     | S *  | 1/2012  | Lee              |           |         | D30/160 |  |
| D676,203     | S *  | 2/2013  | Hansen           |           |         | D30/199 |  |
| D676,619     | S *  | 2/2013  | Hansen           |           |         | D30/199 |  |
| D681,886     | S    | 5/2013  | Paschall et al.  |           |         |         |  |
| 2006/0219187 | A1 * | 10/2006 | Krishnamurthy    | 119/719   |         |         |  |
| 2007/0151010 | A1 * | 7/2007  | Ellerbe          | 4/300.3   |         |         |  |
| 2008/0053374 | A1   | 3/2008  | Kerrigan et al.  |           |         |         |  |
| 2008/0302307 | A1 * | 12/2008 | Bertsch et al.   | 119/61.5  |         |         |  |
| 2008/0314326 | A1 * | 12/2008 | Albert           | 119/61.56 |         |         |  |
| 2009/0126641 | A1   | 5/2009  | Anderson et al.  |           |         |         |  |
| 2010/0064975 | A1   | 3/2010  | McElroy, Jr.     |           |         |         |  |

\* cited by examiner

Fig 1

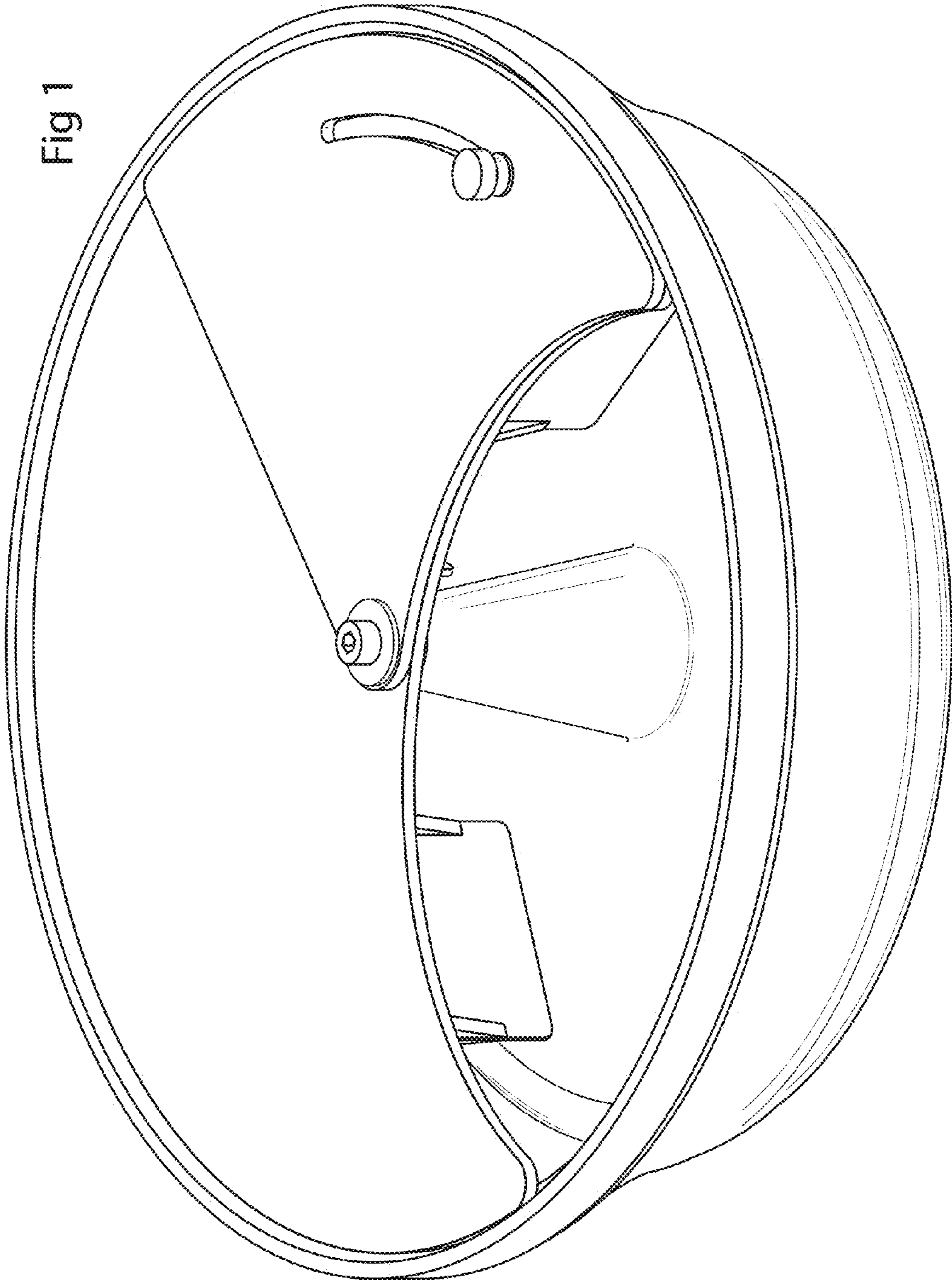
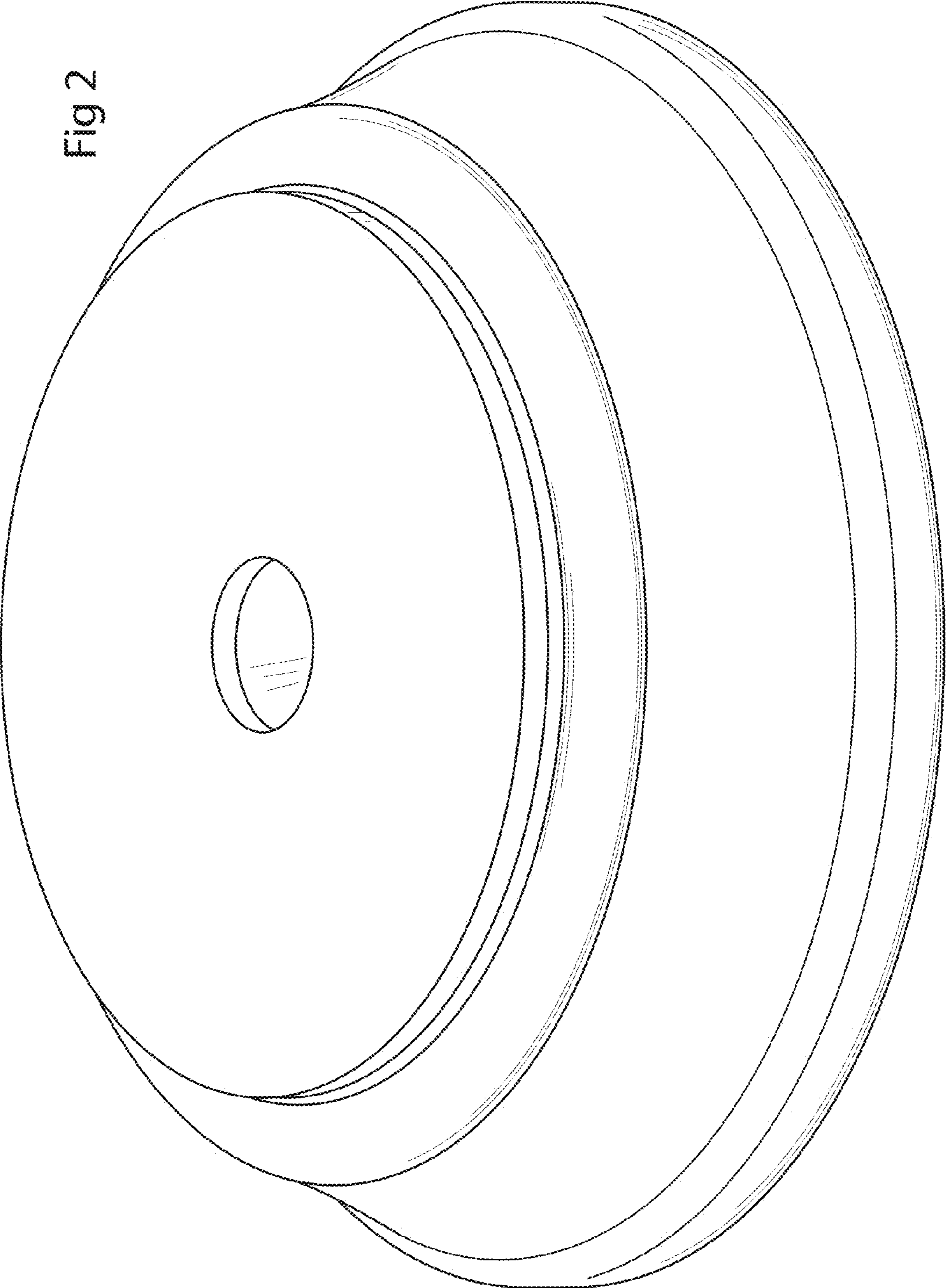


Fig 2





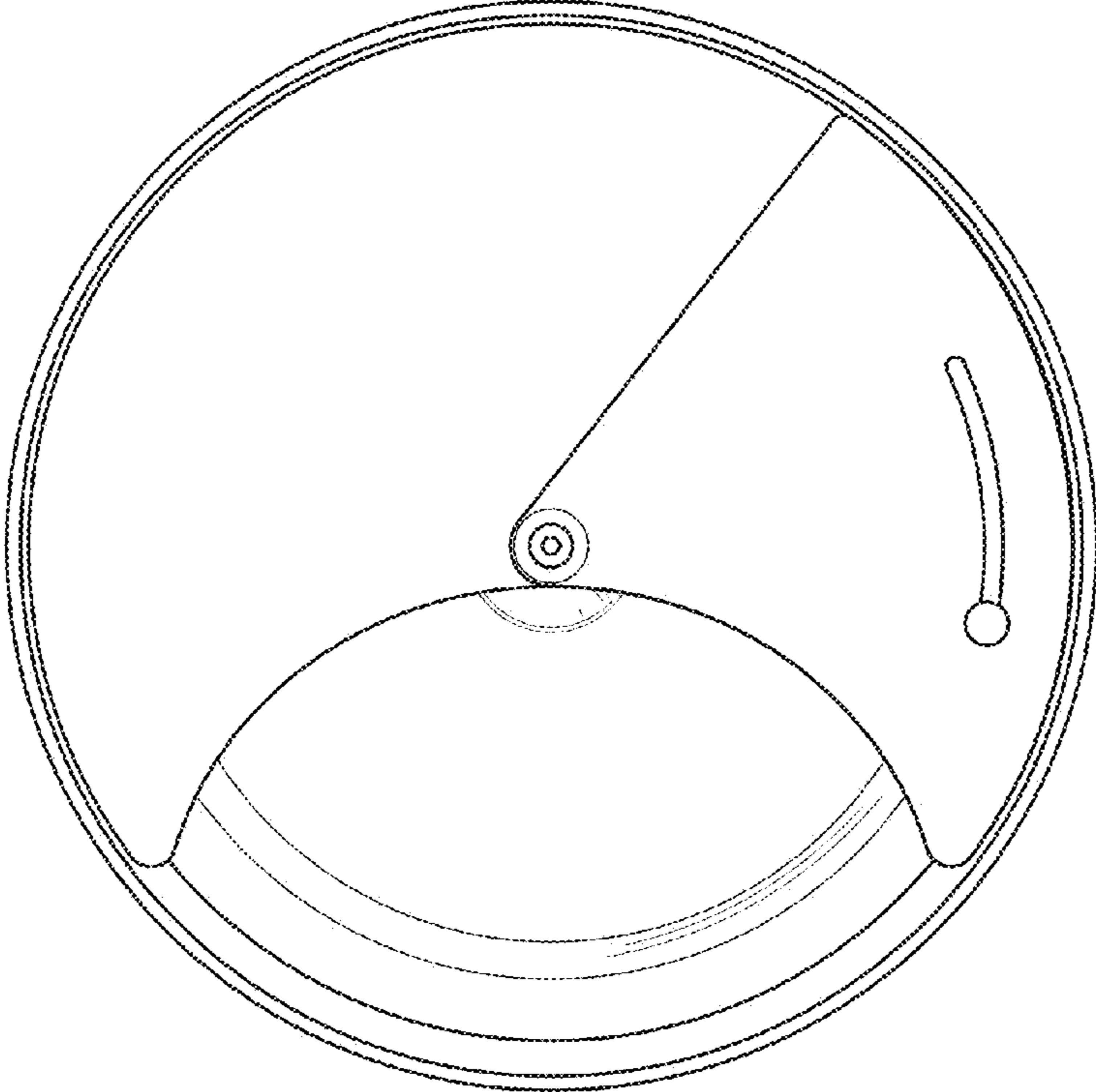


Fig 3

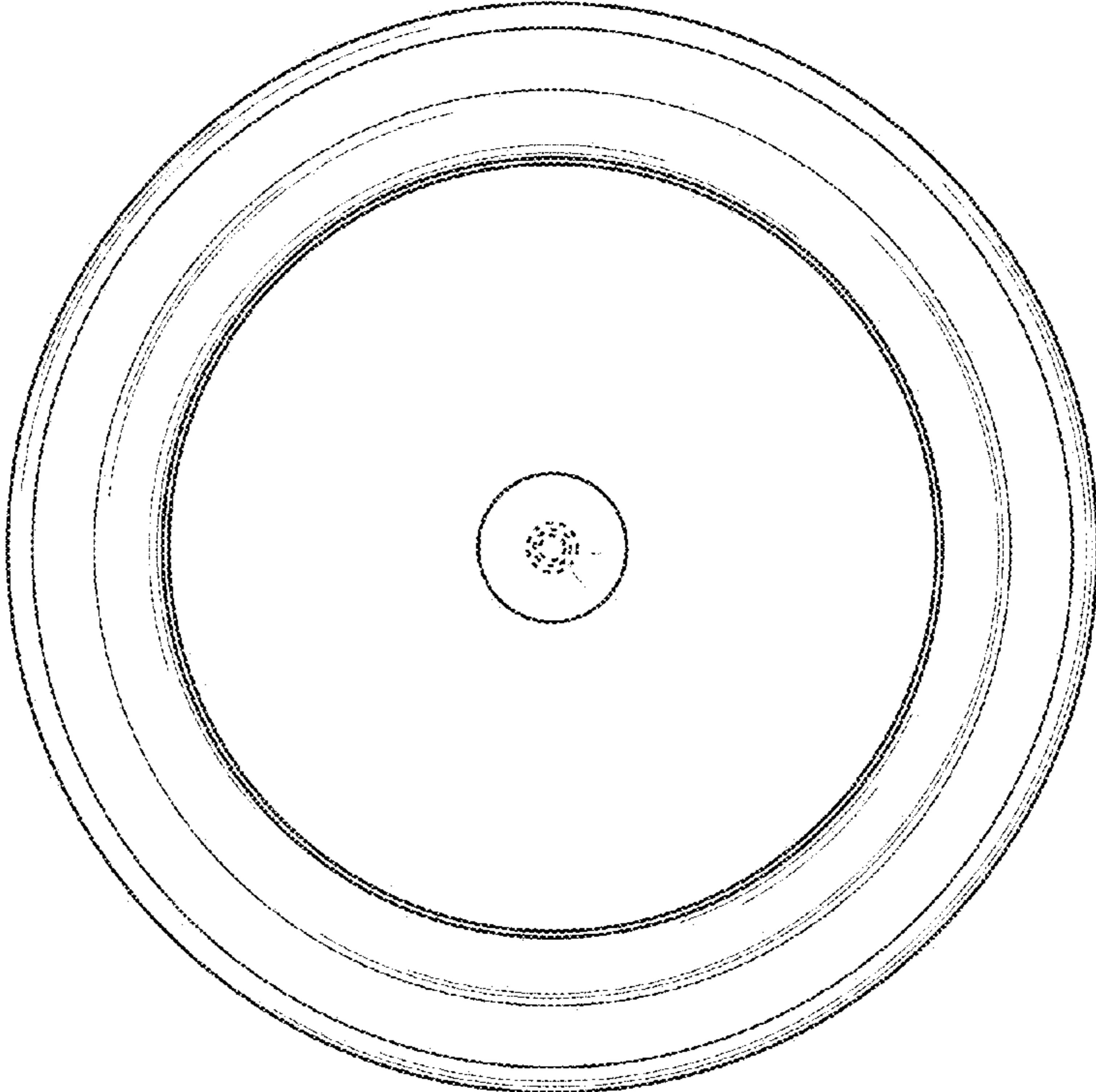


Fig 4

Fig 5

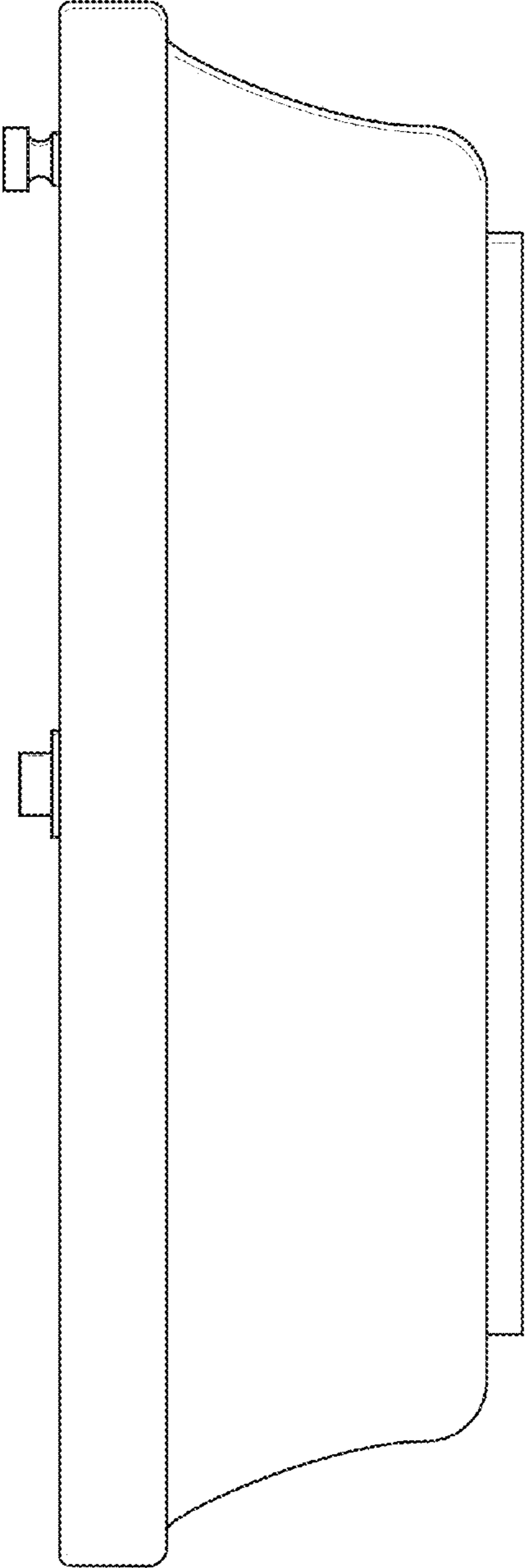


Fig 6

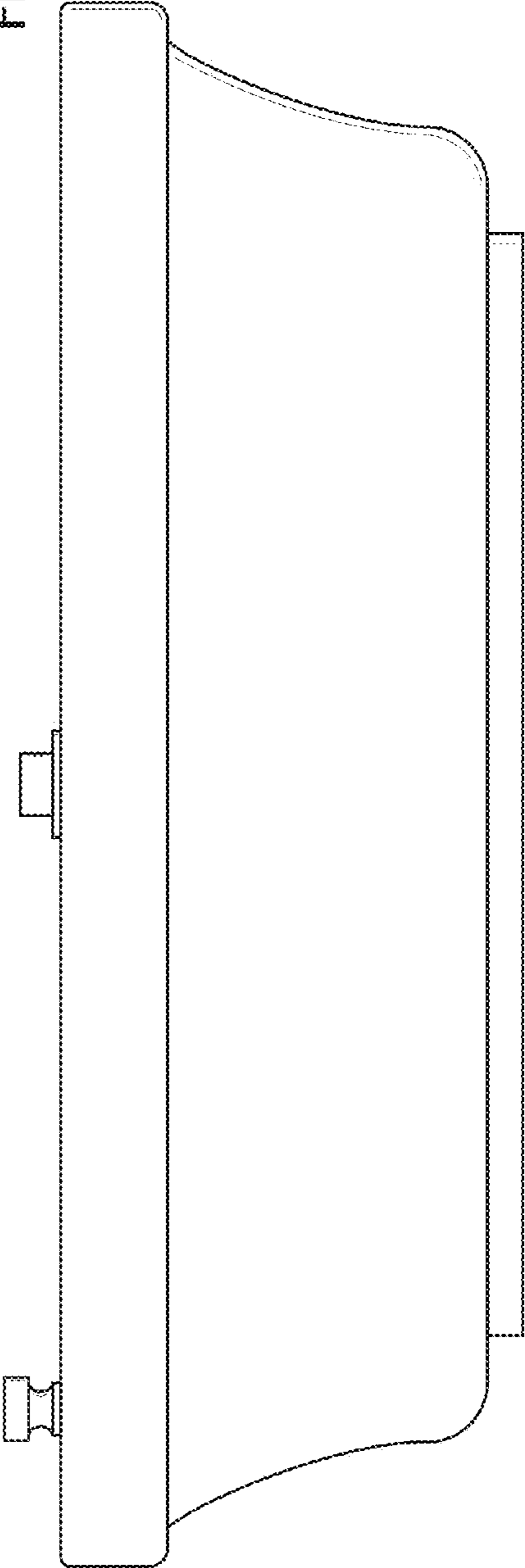


Fig 7

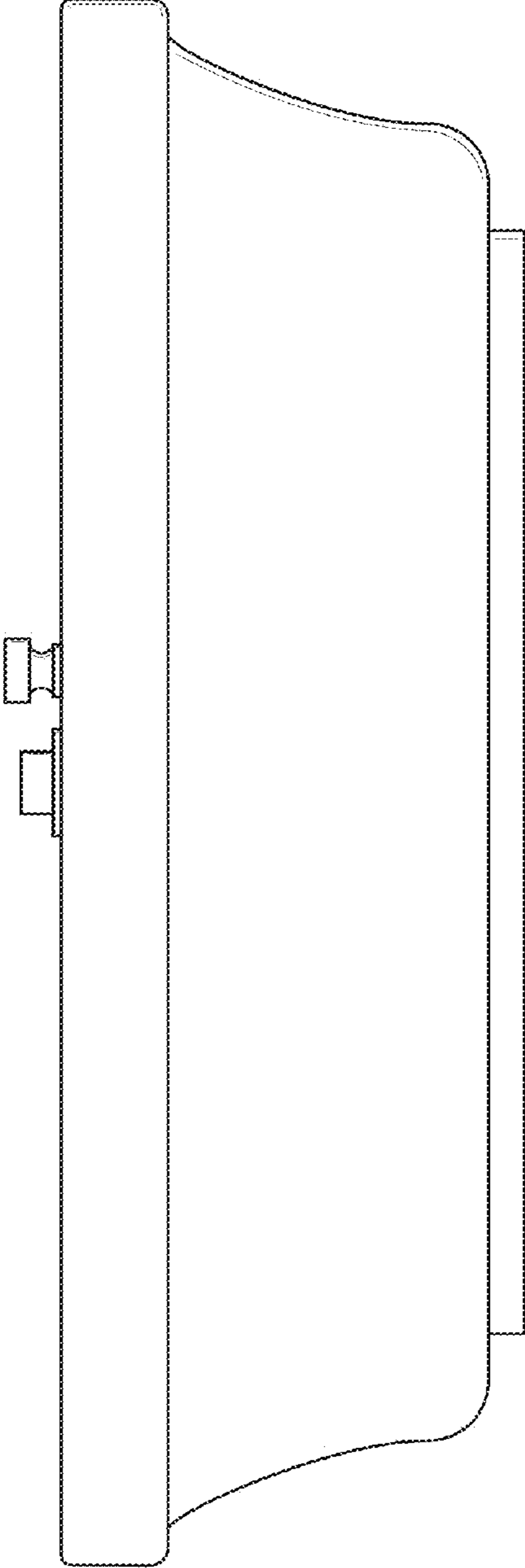


Fig 8

