



US00D700406S

(12) **United States Design Patent**
Ashbreck

(10) **Patent No.:** **US D700,406 S**

(45) **Date of Patent:** **** Feb. 25, 2014**

(54) **FALL RESTRAINT BRACKET**

(71) Applicant: **Greg Ashbreck**, Carol, MI (US)

(72) Inventor: **Greg Ashbreck**, Carol, MI (US)

(**) Term: **14 Years**

(21) Appl. No.: **29/451,228**

(22) Filed: **Mar. 28, 2013**

(51) **LOC (10) Cl.** **29-02**

(52) **U.S. Cl.**
USPC **D29/124**

(58) **Field of Classification Search**
USPC D29/124, 100, 101.1, 122; D34/28, 35;
D25/62, 66, 68; D8/356, 383, 349,
D8/353, 354; 182/3, 45; 248/228.3, 228.1,
248/227.3
See application file for complete search history.

(56) **References Cited**

U.S. PATENT DOCUMENTS

D368,647	S	*	4/1996	Koebbe	D8/355
5,553,685	A	*	9/1996	Cook	182/45
5,727,646	A	*	3/1998	Gray	182/45
5,850,889	A	*	12/1998	Rexroad et al.	182/3
D408,273	S	*	4/1999	Senninger	D8/356

D459,839	S	*	7/2002	Blackford	D29/124
D490,295	S	*	5/2004	Neider et al.	D8/356
7,240,770	B2	*	7/2007	Mullins et al.	182/3
D603,530	S	*	11/2009	Antoine	D25/68
D606,025	S	*	12/2009	Cheng et al.	D13/155
D612,226	S	*	3/2010	Dinh	D8/356
D630,769	S	*	1/2011	Capelle	D25/68
8,051,515	B1	*	11/2011	Kring	5/658

* cited by examiner

Primary Examiner — Randall Gholson

(74) *Attorney, Agent, or Firm* — Ray Meiers

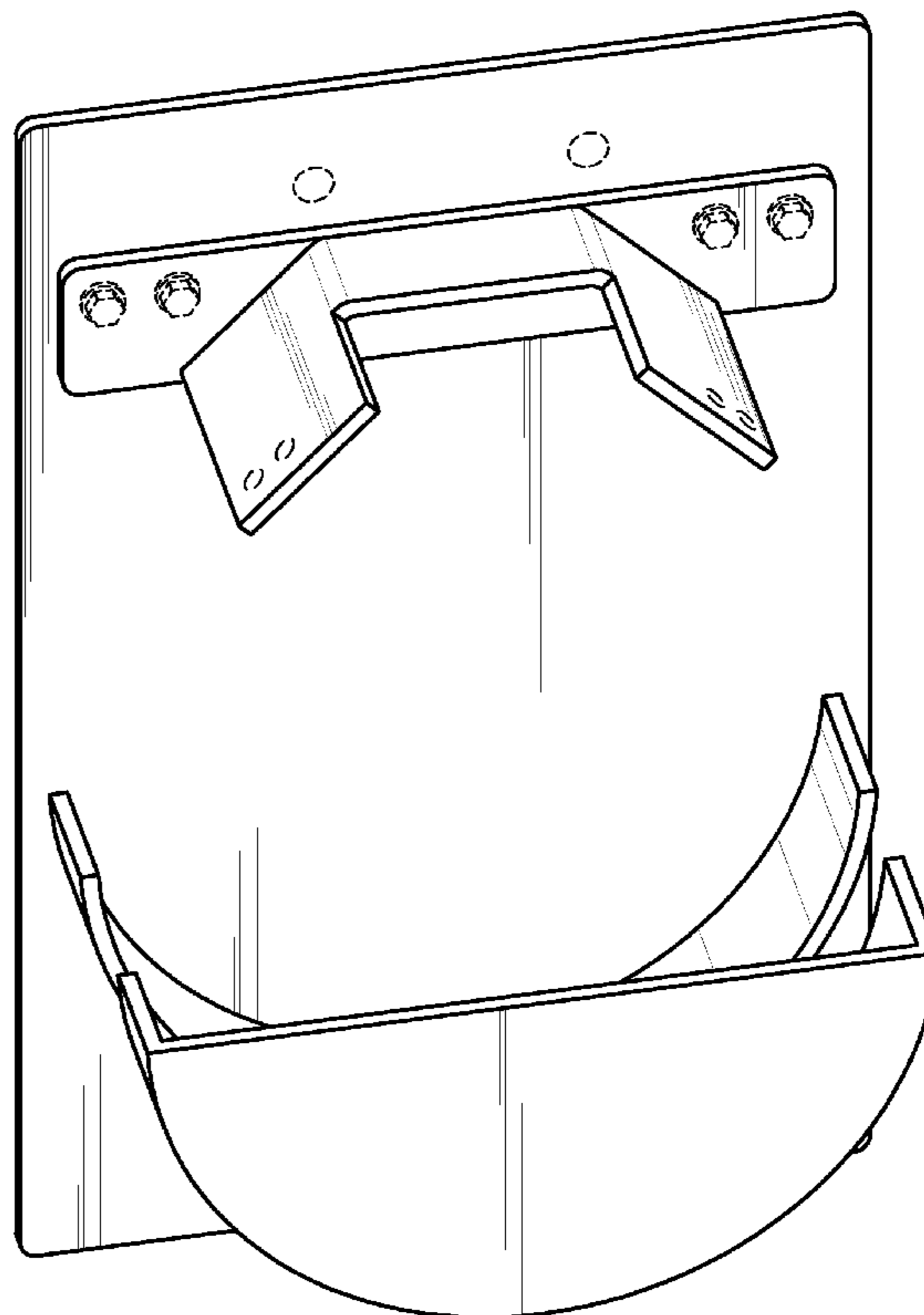
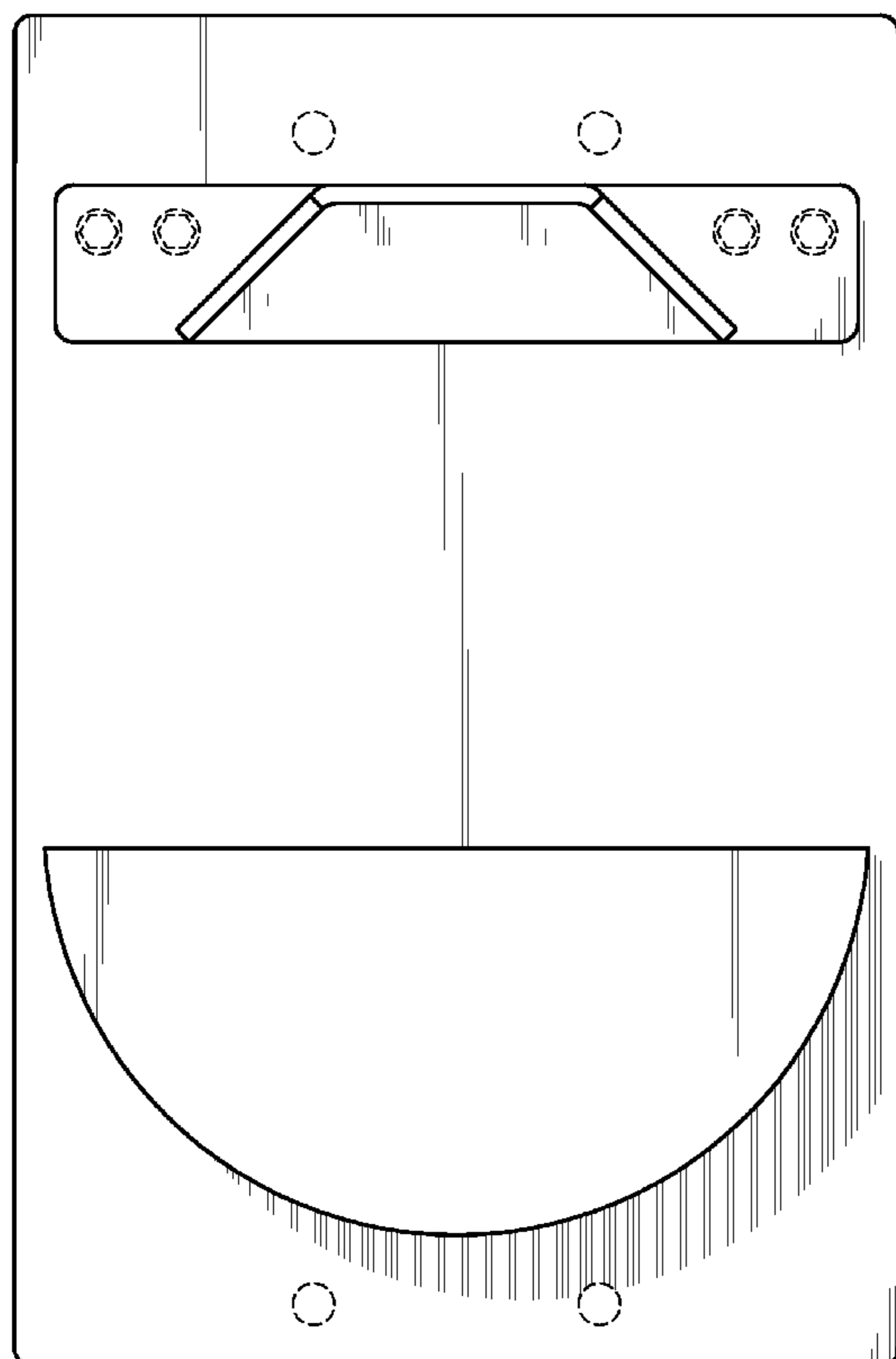
(57) **CLAIM**

I claim the ornamental design for a fall restraint bracket, as shown and described.

DESCRIPTION

FIG. 1 is a front view of the fall restraint bracket;
FIG. 2 is a top view of the fall restraint bracket;
FIG. 3 is a bottom view of the fall restraint bracket;
FIG. 4 is a left-side view of the fall restraint bracket;
FIG. 5 is a right-side view of the fall restraint bracket; and,
FIG. 6 is a perspective view of the fall restraint bracket,
looking generally downward and from the left-side.
The broken lines shown in the drawings show unclaimed
subject matter and form no part of the claimed design.

1 Claim, 4 Drawing Sheets



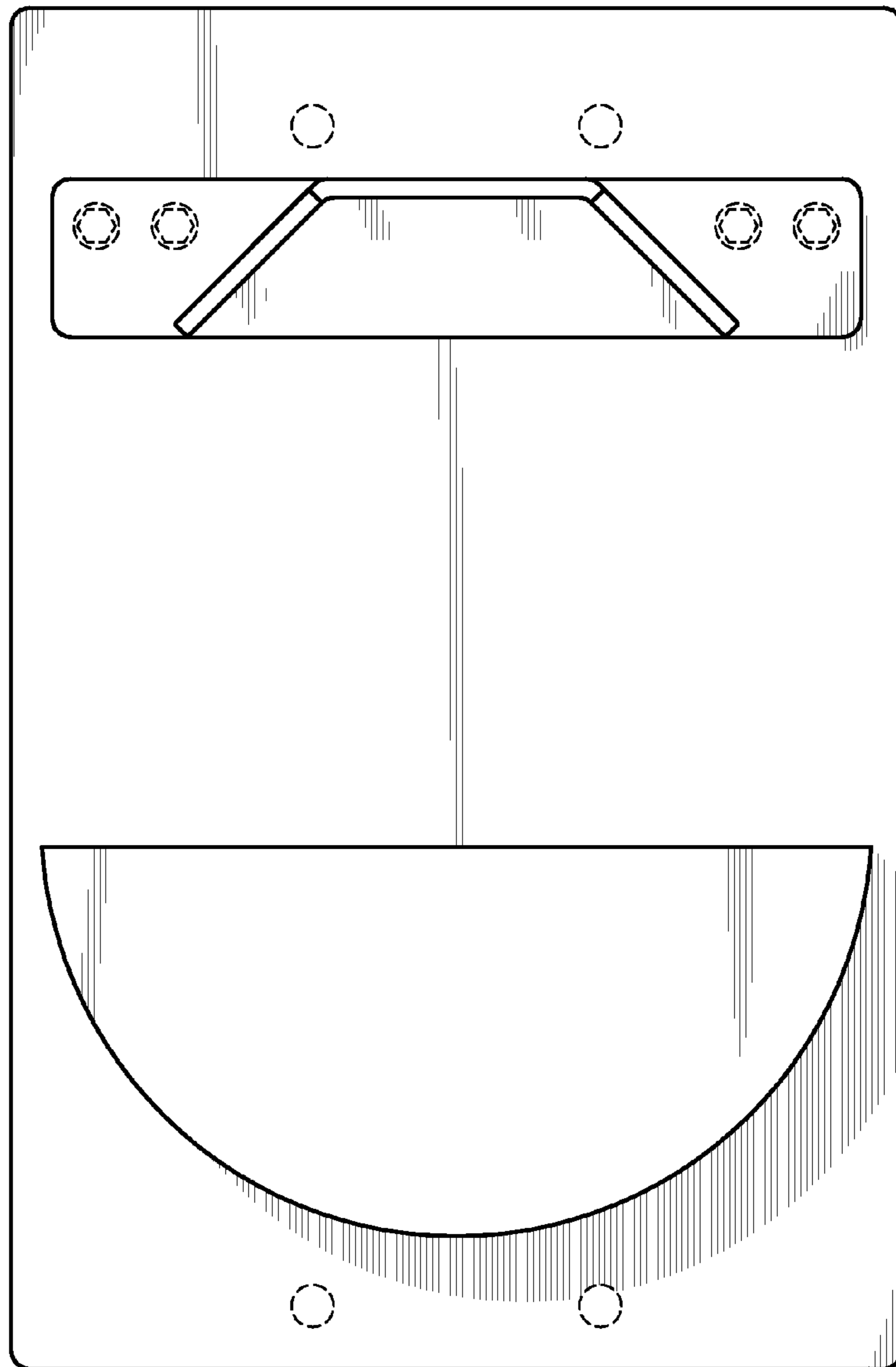


FIG. 1

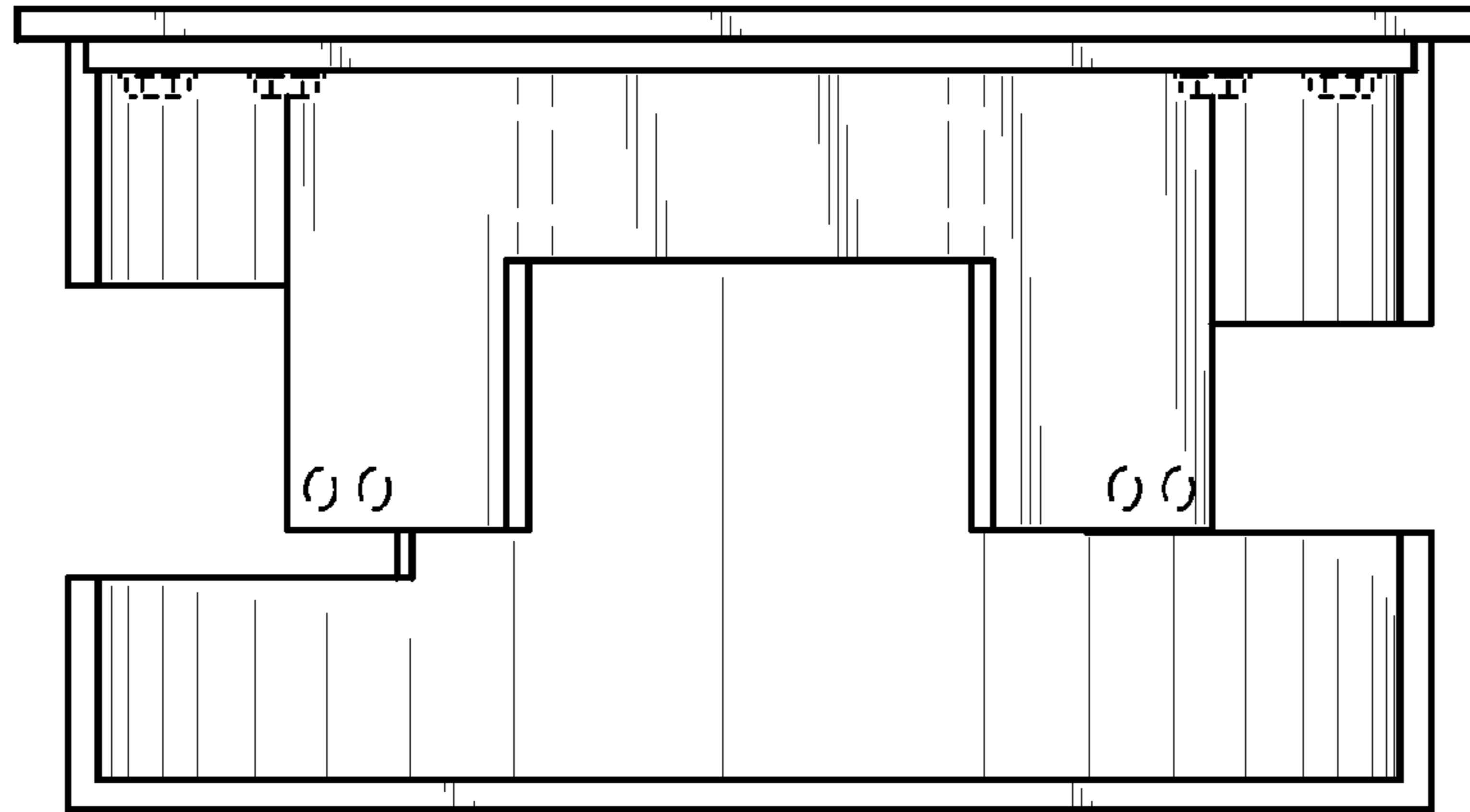


FIG. 2

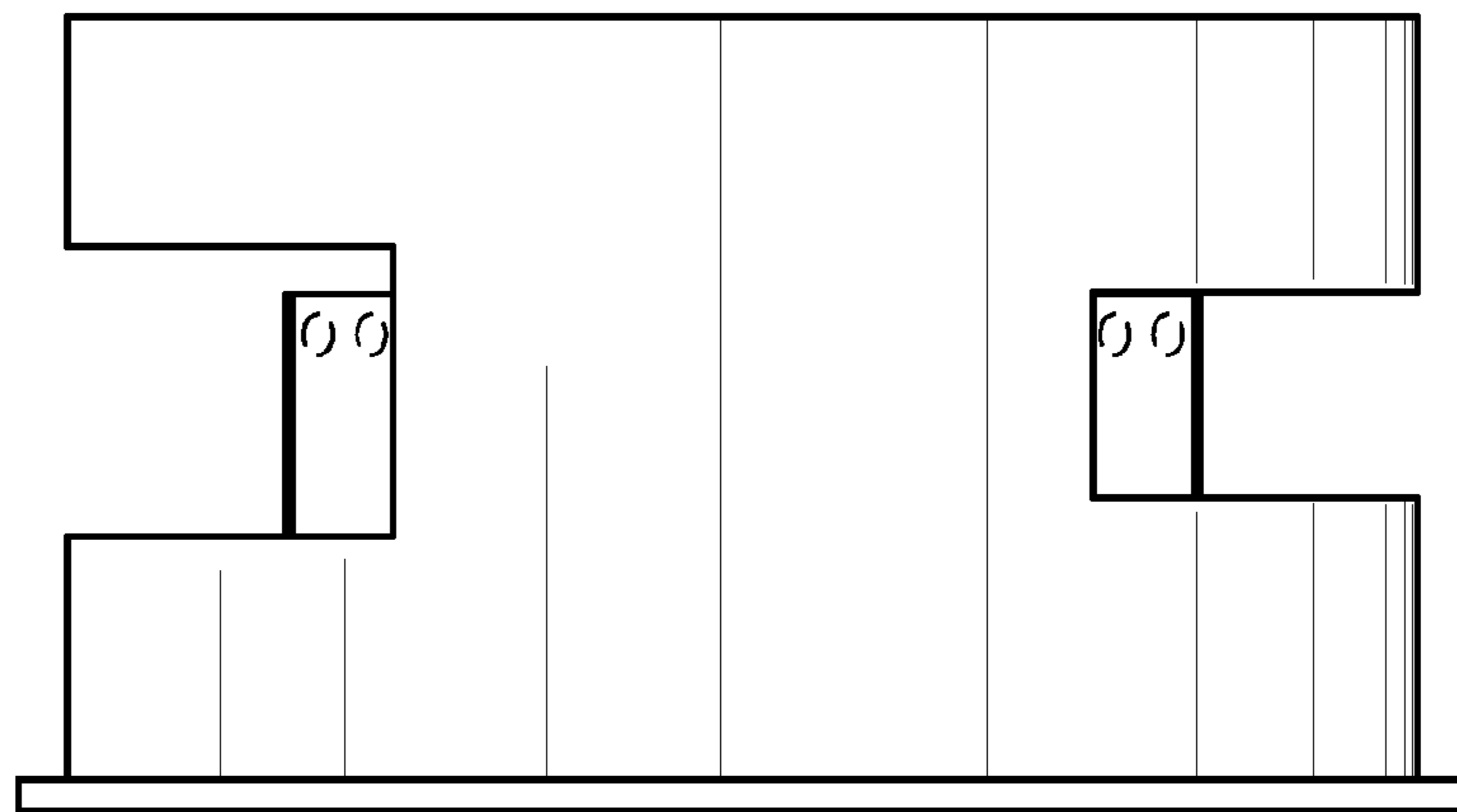


FIG. 3

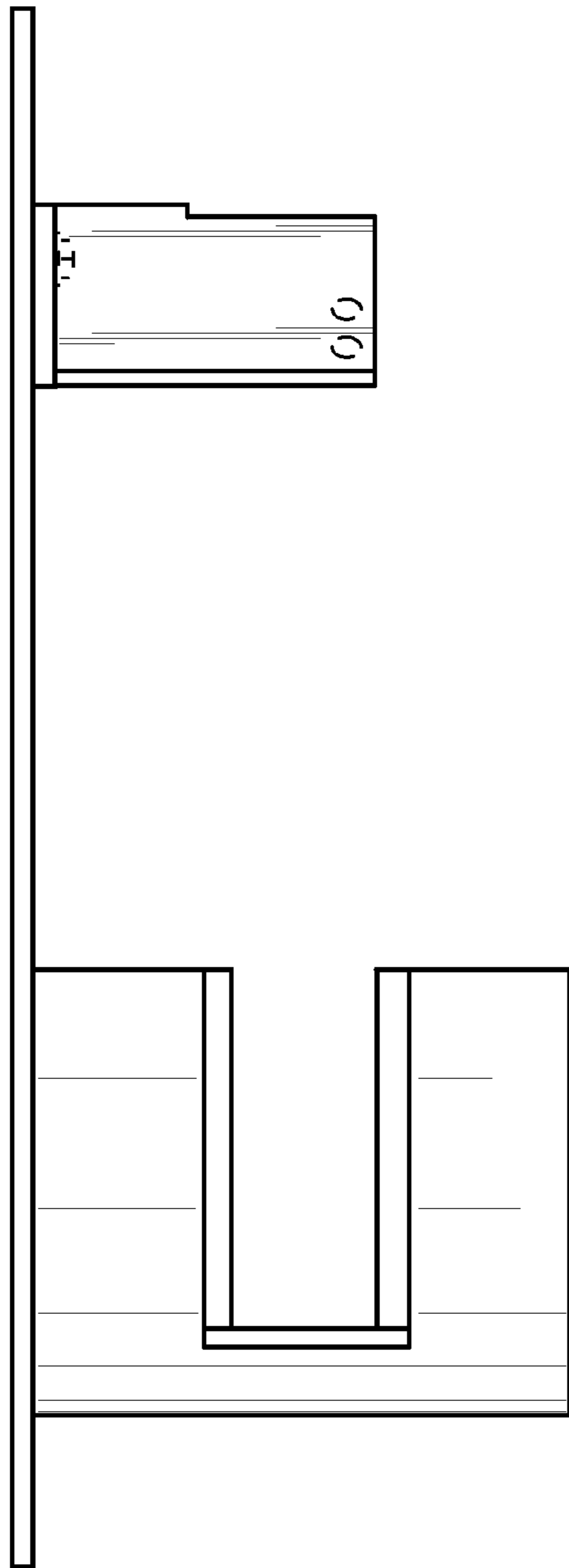


FIG. 4

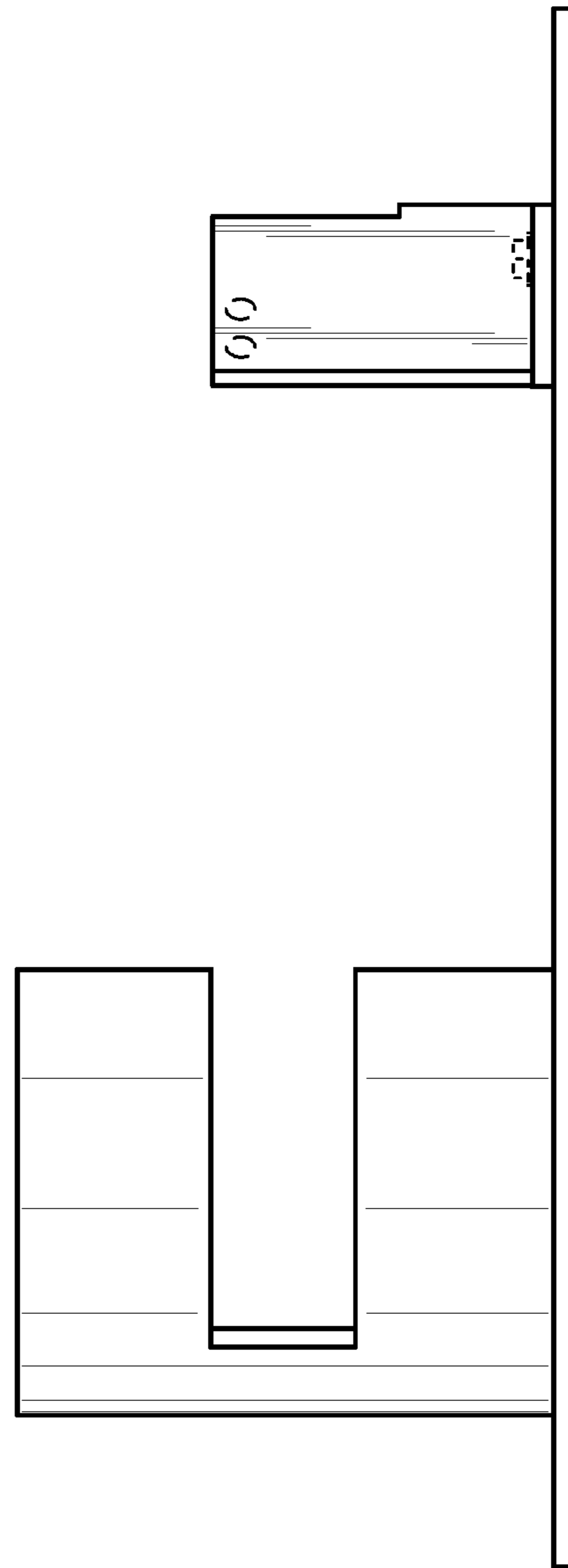


FIG. 5

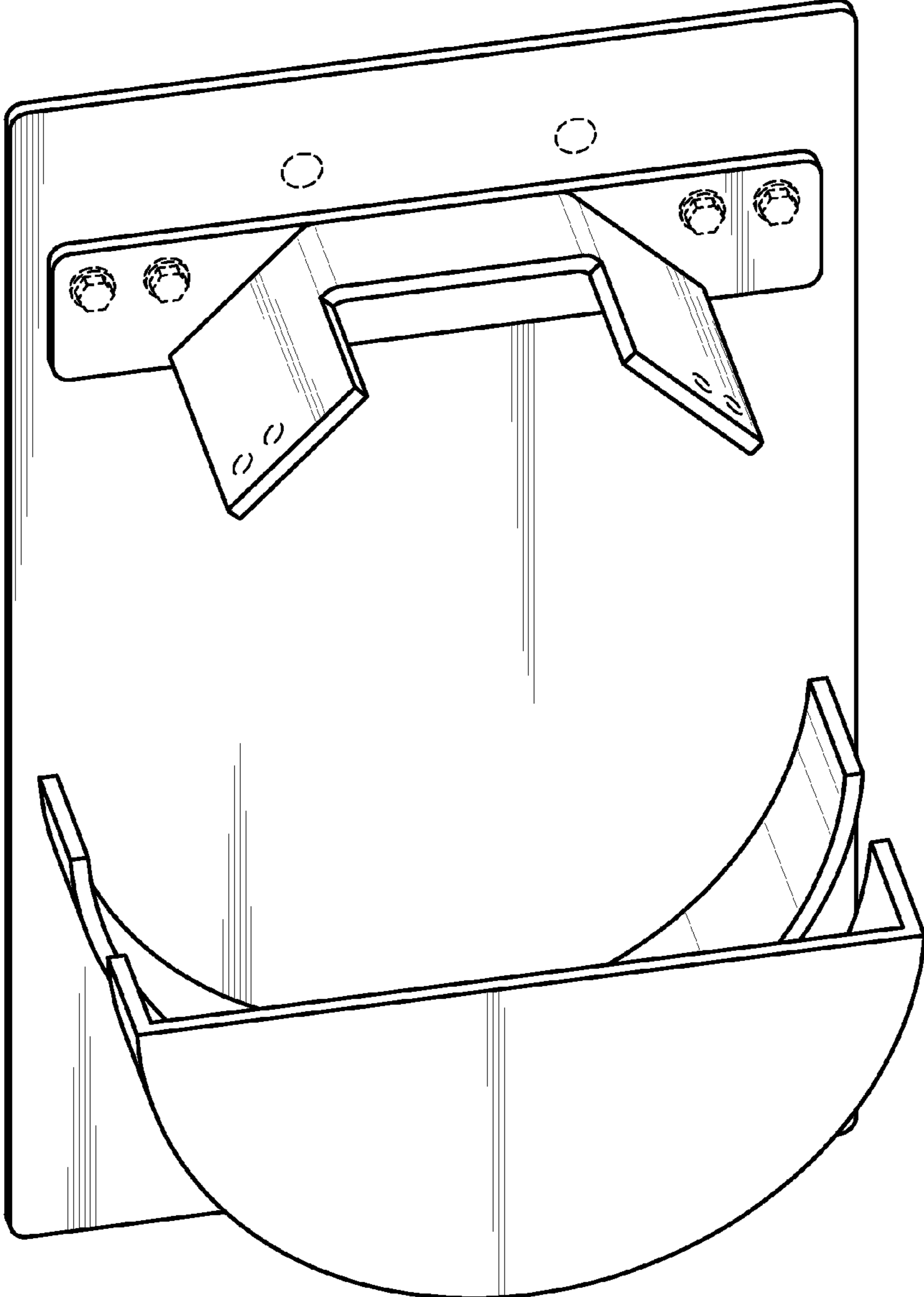


FIG. 6