



US00D700404S

(12) **United States Design Patent**
Niefer

(10) **Patent No.:** **US D700,404 S**

(45) **Date of Patent:** **** Feb. 25, 2014**

- (54) **LEG AND FOOT SHIELD**
- (71) Applicant: **Justin E. Niefer**, Atlanta, GA (US)
- (72) Inventor: **Justin E. Niefer**, Atlanta, GA (US)
- (73) Assignee: **Evoshield**, Bogart, GA (US)
- (**) Term: **14 Years**

D306,921	S	*	3/1990	Pettinelli	D29/120.1
5,328,652	A	*	7/1994	Thomson	264/51
D365,667	S	*	12/1995	Hargrove et al.	D29/120.1
D425,672	S	*	5/2000	Ayala	D29/121.2
6,178,555	B1	*	1/2001	Williams	2/22
D590,105	S	*	4/2009	Pohorelec	D29/121.2
D602,231	S	*	10/2009	Lillieroth	D2/901
8,161,569	B2	*	4/2012	Hudon et al.	2/22
D678,621	S	*	3/2013	Saranga	D29/121.1

* cited by examiner

- (21) Appl. No.: **29/443,787**
- (22) Filed: **Jan. 22, 2013**
- (51) **LOC (10) Cl.** **29-01**
- (52) **U.S. Cl.**
USPC **D29/121.2**
- (58) **Field of Classification Search**
USPC D29/100, 101.1, 101.2, 101.3, 101.4,
D29/101.5, 120.1, 120.2, 121.1, 121.2, 122;
D2/901; D24/190; 2/16, 20-24, 62,
2/267, 455, 461, 463, 910, 911; 602/3, 5,
602/6, 16, 23, 26
See application file for complete search history.

Primary Examiner — Randall Gholson

(74) *Attorney, Agent, or Firm* — N. J. Aquilino

(57) **CLAIM**

The ornamental design for a leg and foot shield, as shown and described.

DESCRIPTION

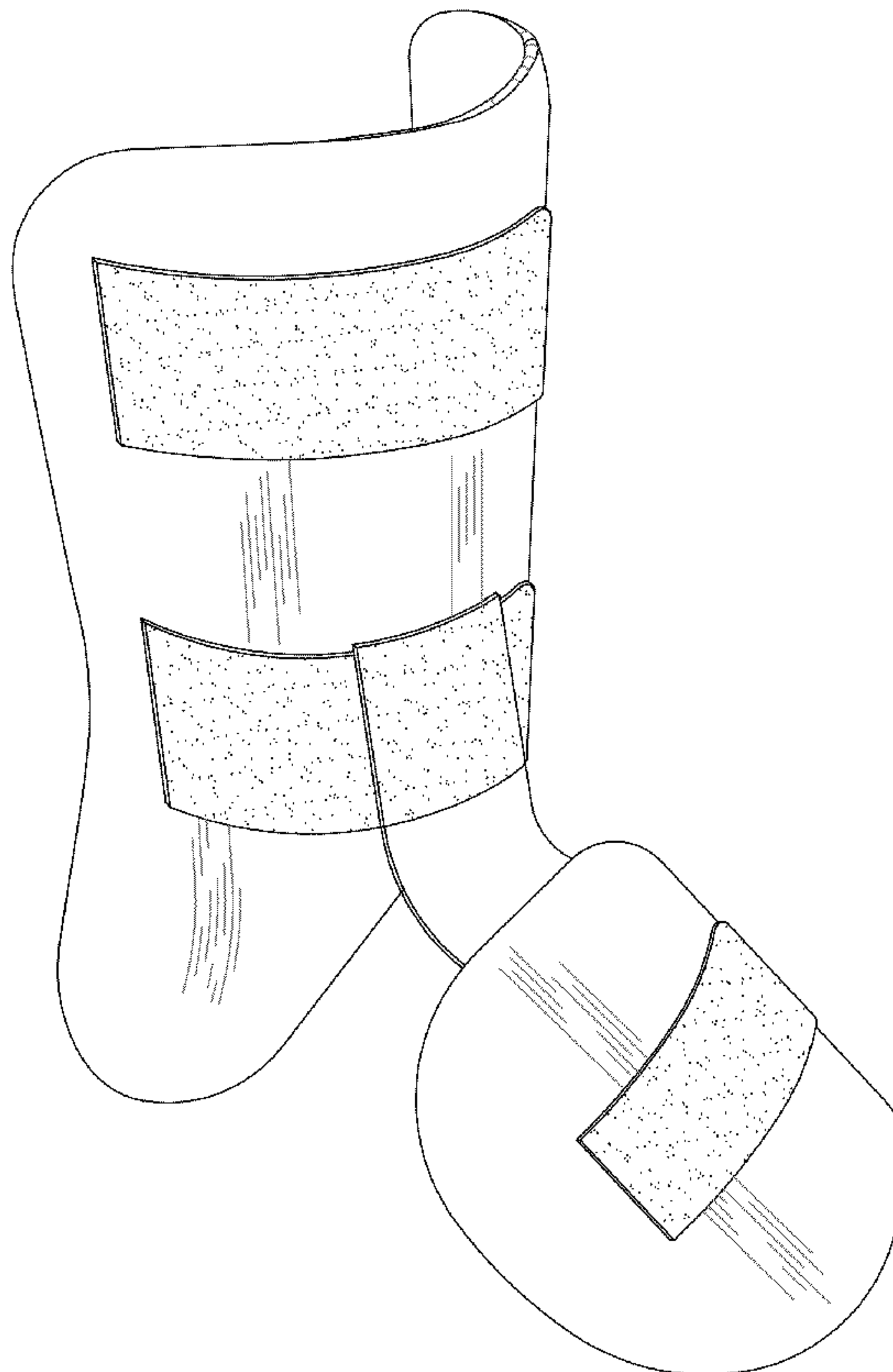
FIG. 1 is a perspective view of a leg and foot shield showing my new design.
 FIG. 2 is a rear elevational view thereof.
 FIG. 3 is a front elevational view thereof.
 FIG. 4 is a side elevational view thereof.
 FIG. 5 is a side elevational view opposite the view of FIG. 4.
 FIG. 6 is a top view thereof; and,
 FIG. 7 is a bottom view thereof.

(56) **References Cited**

U.S. PATENT DOCUMENTS

- 2,249,553 A * 7/1941 Cataffo 36/72 R
- D278,567 S * 4/1985 Rasmussen D29/120.1

1 Claim, 4 Drawing Sheets



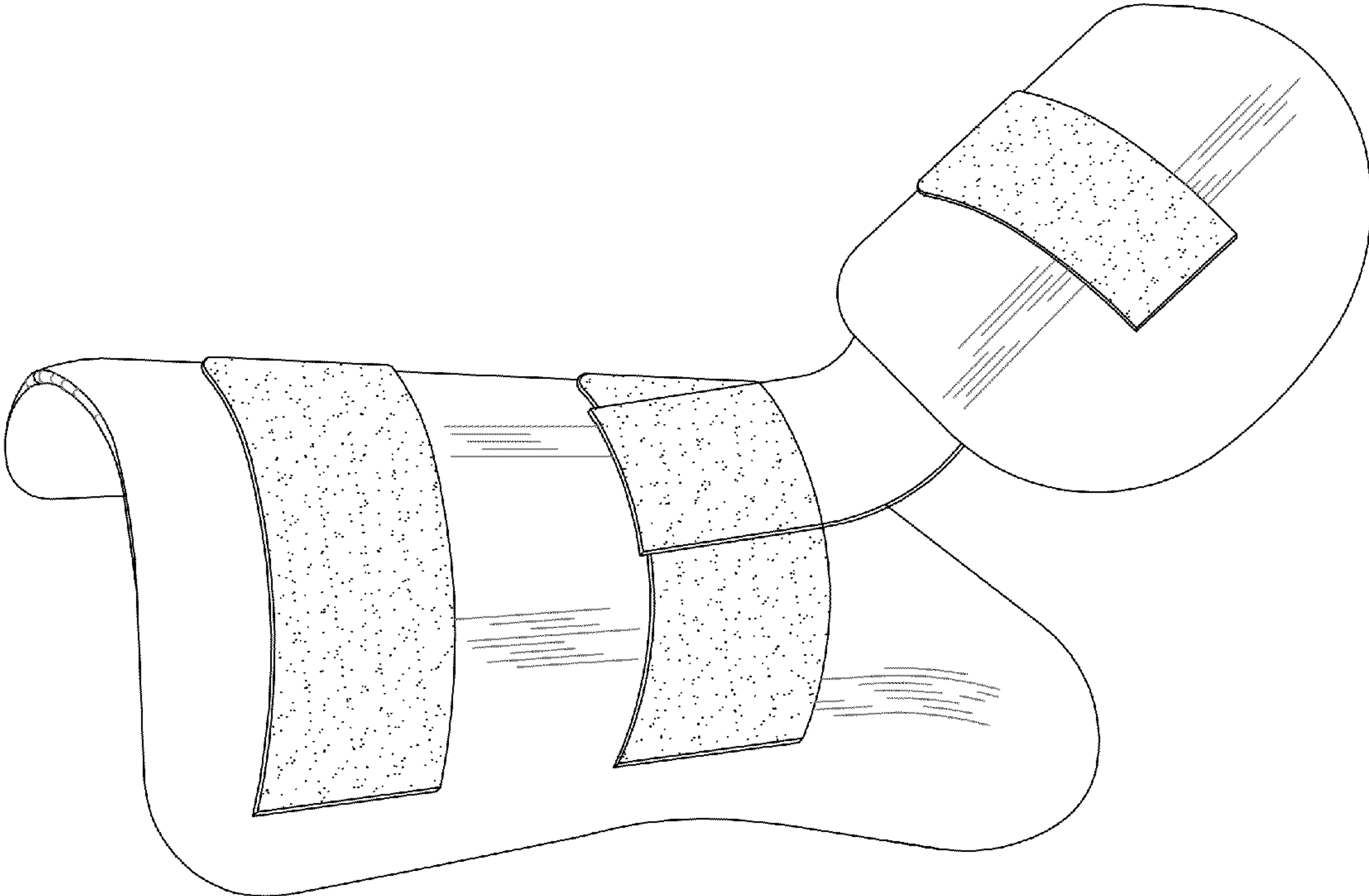


FIGURE 1

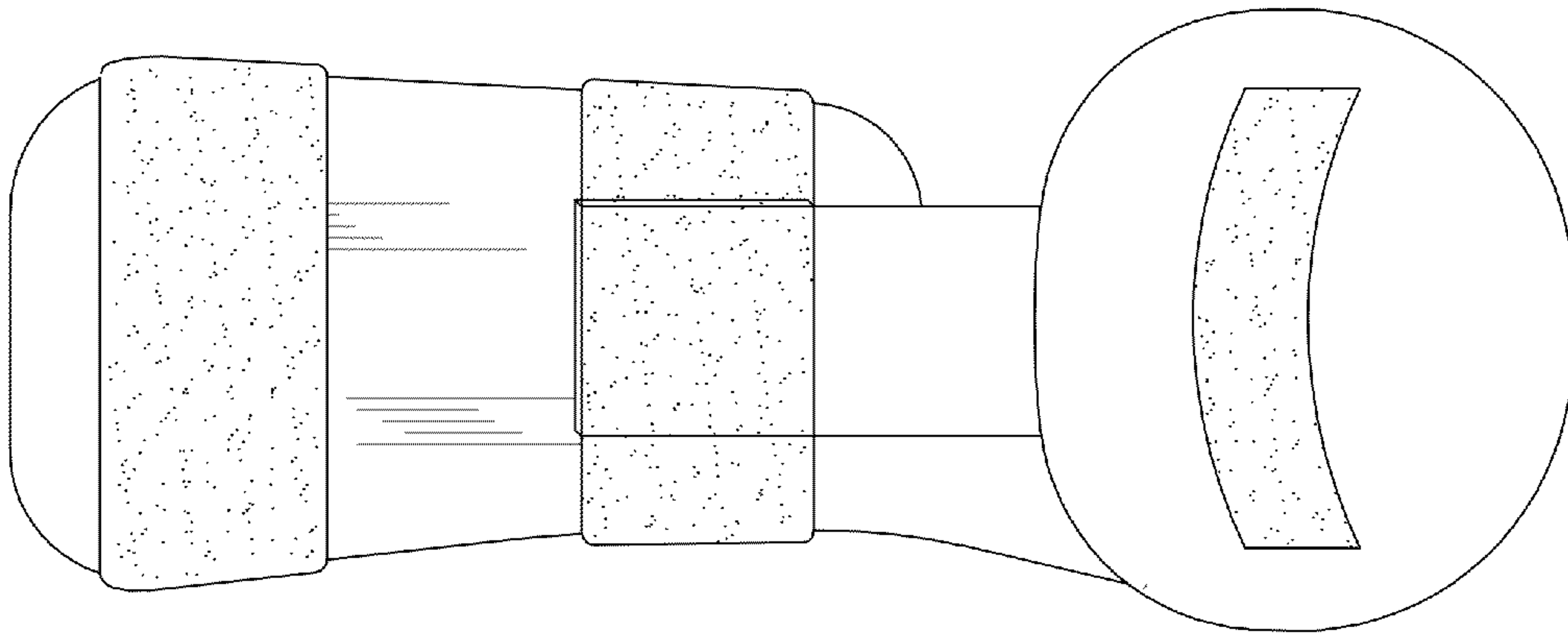


FIGURE 3

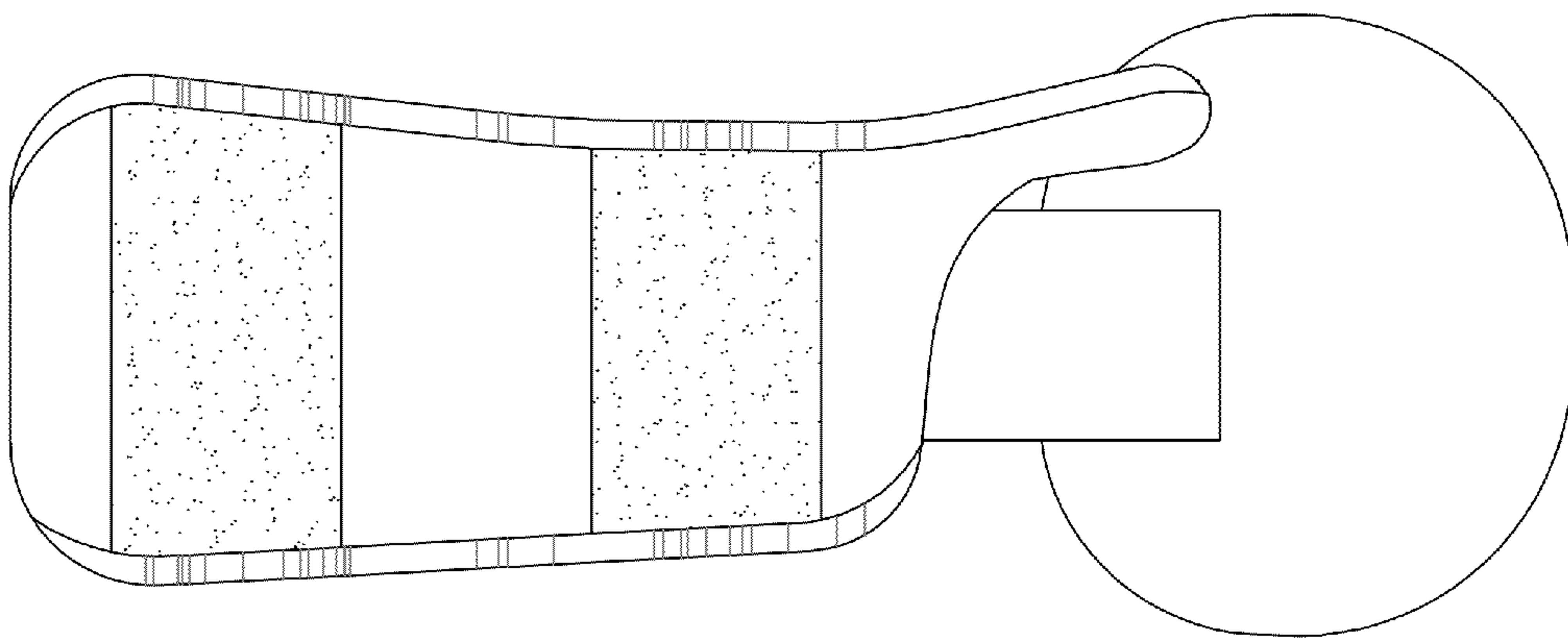


FIGURE 2

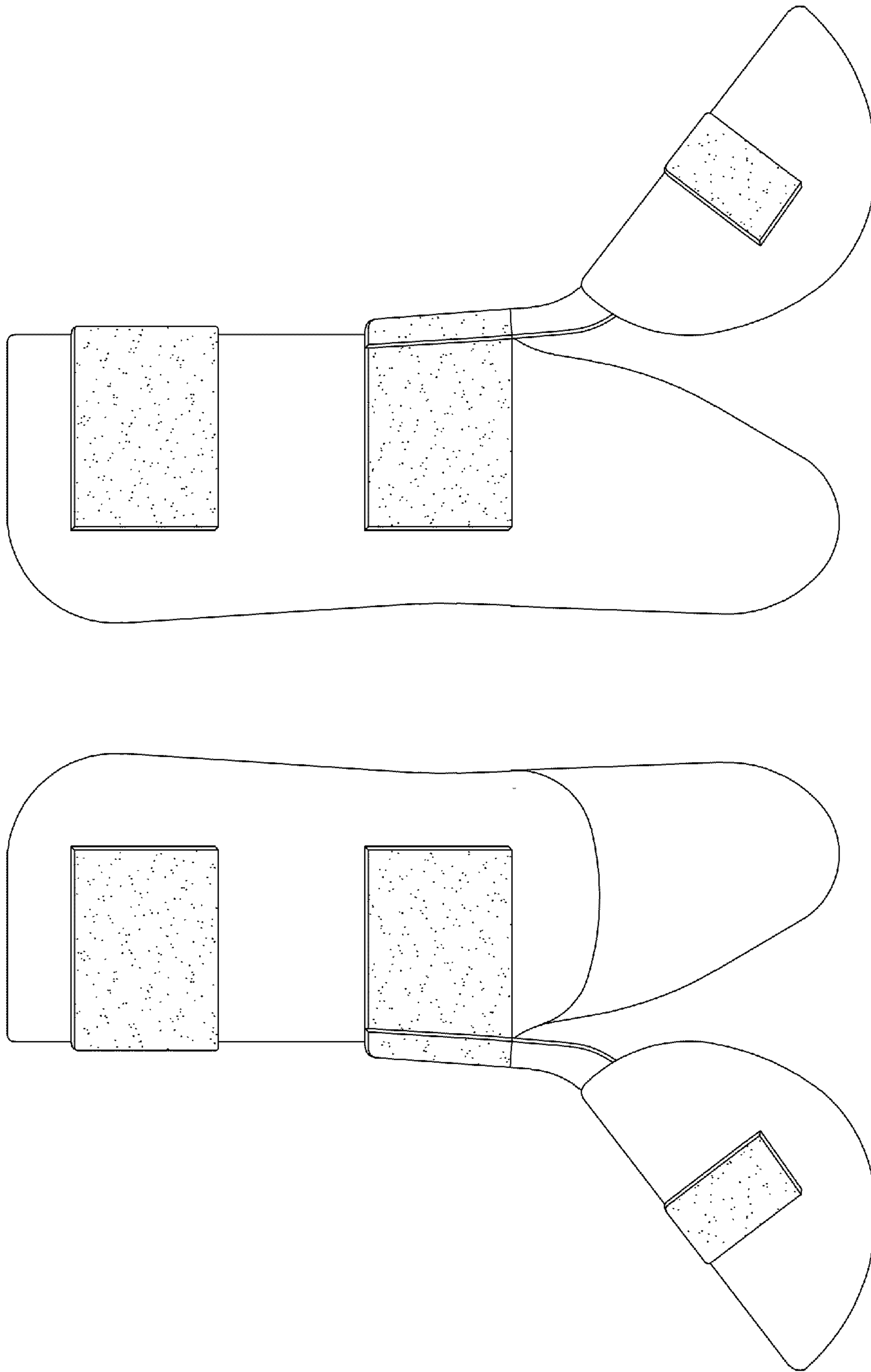


FIGURE 5

FIGURE 4

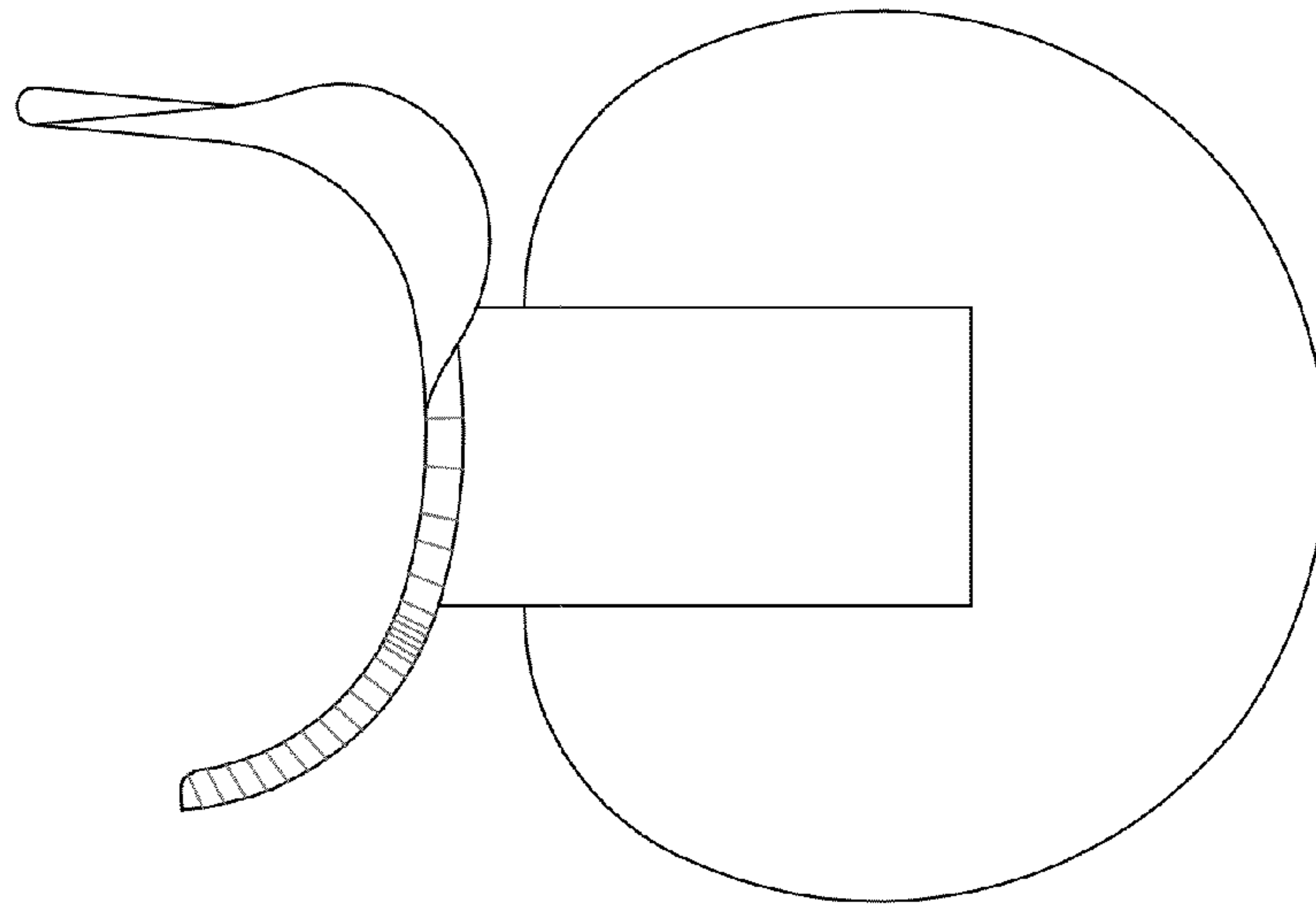


FIGURE 7

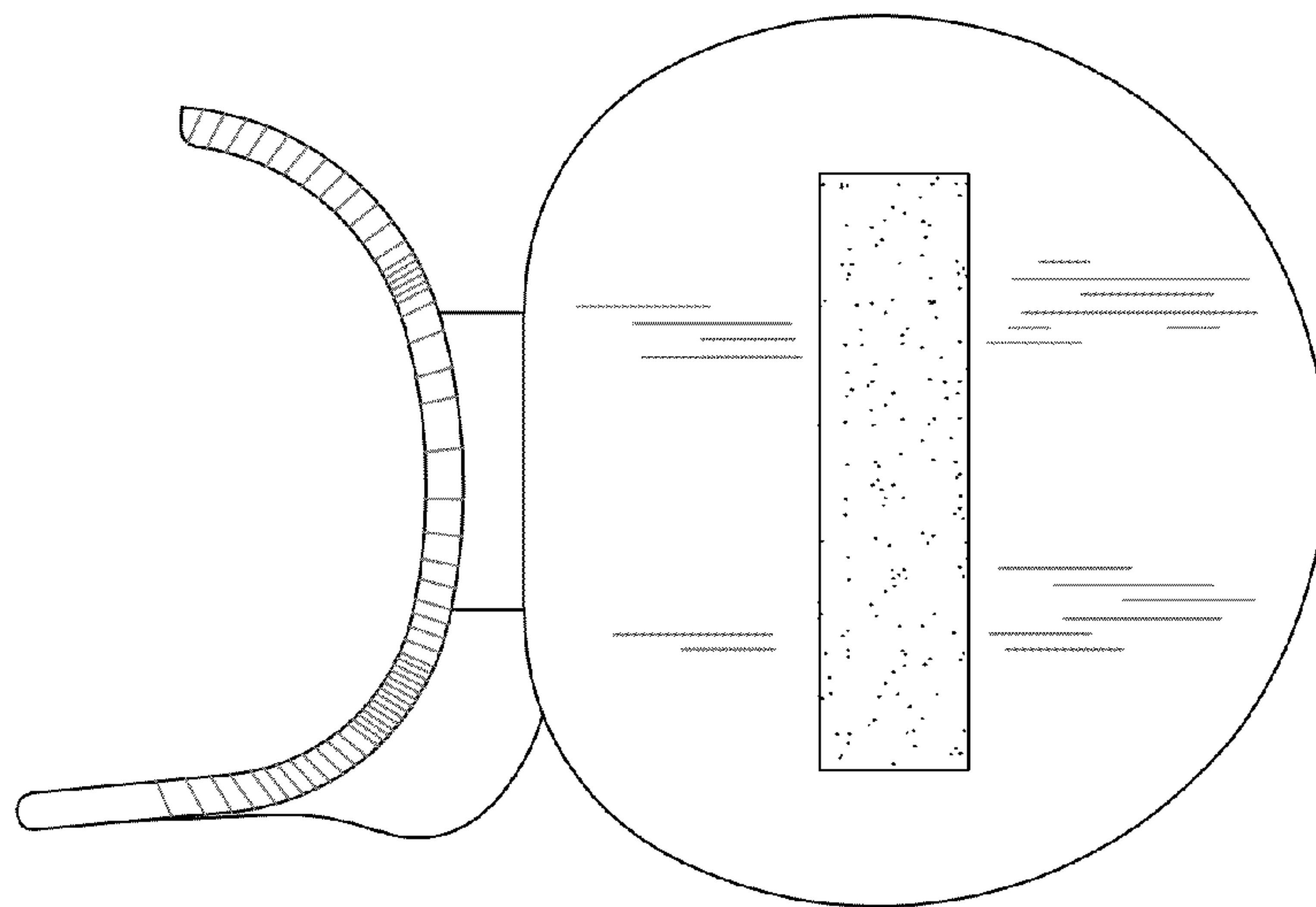


FIGURE 6