

US00D700399S

(12) **United States Design Patent**  
**Lin**

(10) **Patent No.:** **US D700,399 S**

(45) **Date of Patent:** **\*\* Feb. 25, 2014**

(54) **CIGARETTE-MAKING MACHINE**

(71) Applicant: **Republic Tobacco L.P.**, Glenview, IL  
(US)

(72) Inventor: **Mei Lin**, Northbrook, IL (US)

(73) Assignee: **Republic Tobacco L.P.**, Glenview, IL  
(US)

(\*\*) Term: **14 Years**

(21) Appl. No.: **29/467,967**

(22) Filed: **Sep. 25, 2013**

(51) **LOC (10) Cl.** ..... **27-99**

(52) **U.S. Cl.**  
USPC ..... **D27/194**

(58) **Field of Classification Search**  
USPC ..... D27/172, 183, 184, 194; D7/372, 678,  
D7/679; 131/57, 58, 70-75, 329  
See application file for complete search history.

(56) **References Cited**

U.S. PATENT DOCUMENTS

2,551,095	A *	5/1951	Chaze	222/162
2,699,787	A *	1/1955	Kastner	131/70
2,714,383	A *	8/1955	Gee	131/70
2,731,971	A *	1/1956	Kastner	131/70
3,127,900	A *	4/1964	Kastner	131/70
3,509,887	A *	5/1970	Kappeler et al.	131/70
D613,033	S *	4/2010	Lin	D27/194
D665,126	S *	8/2012	Lin	D27/194
8,261,752	B2 *	9/2012	Bao	131/70
2007/0235045	A1 *	10/2007	Lin	131/27.1

2007/0295343	A1 *	12/2007	Susanto et al.	131/58
2012/0291790	A1 *	11/2012	Bao	131/70
2013/0152952	A1 *	6/2013	Bao	131/70

\* cited by examiner

*Primary Examiner* — Susan Bennett Hattan

*Assistant Examiner* — Janice Hallmark

(74) *Attorney, Agent, or Firm* — Drinker Biddle & Reath  
LLP

(57) **CLAIM**

The ornamental design for a cigarette-making machine, as shown and described.

**DESCRIPTION**

FIG. 1 is a front perspective view of a cigarette-making machine;

FIG. 2 is a front elevation view of the cigarette-making machine of FIG. 1;

FIG. 3 is a rear elevation view of the cigarette-making machine of FIG. 1;

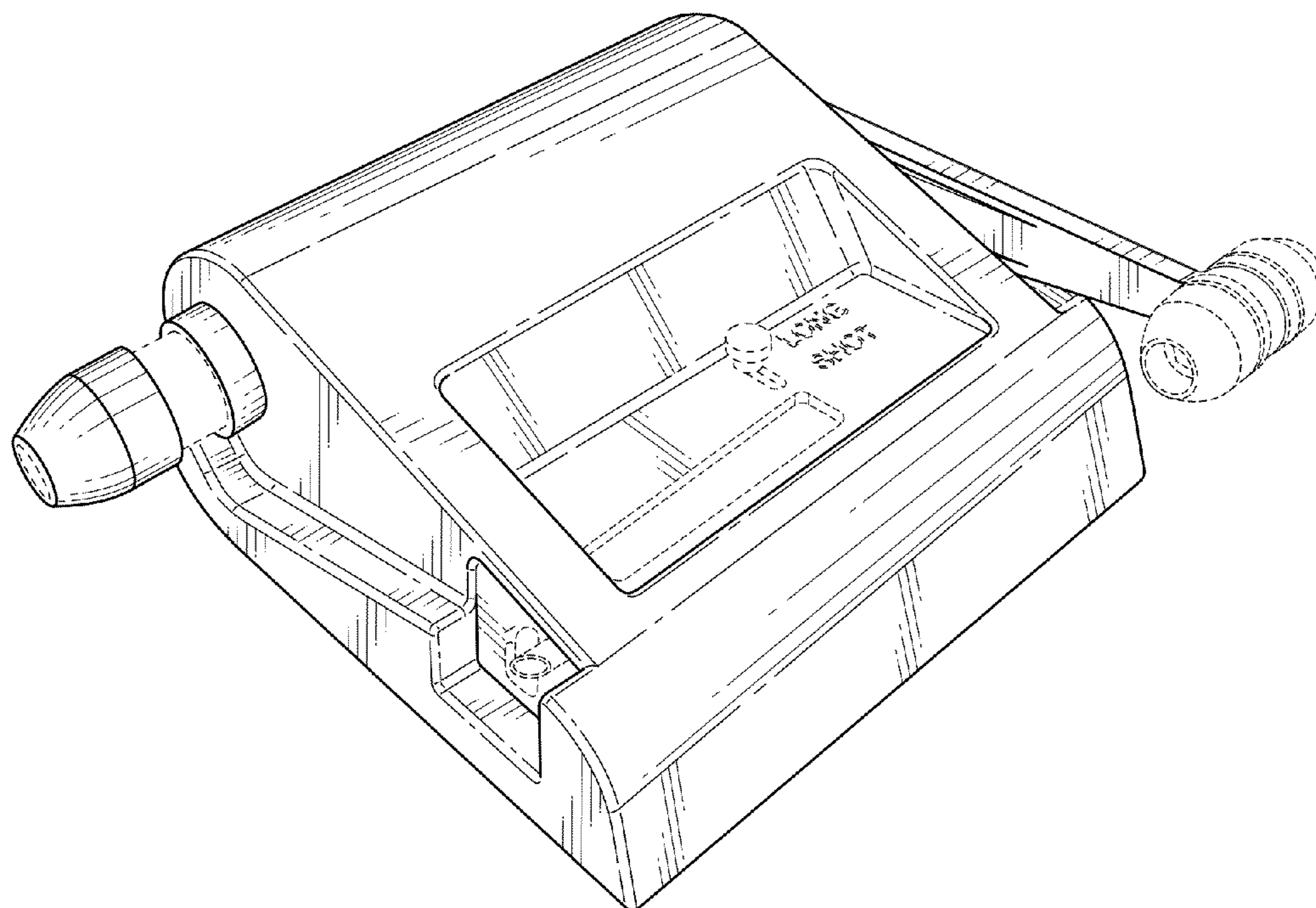
FIG. 4 is a right side elevation view of the cigarette-making machine of FIG. 1;

FIG. 5 is a left side elevation view of the cigarette-making machine of FIG. 1;

FIG. 6 is a top plan view of the cigarette-making machine of FIG. 1; and,

FIG. 7 is a bottom plan view of the cigarette-making machine of FIG. 1, wherein the broken lines in the figures show environmental context for illustrative purposes only and do not form a part of the claimed design.

**1 Claim, 5 Drawing Sheets**



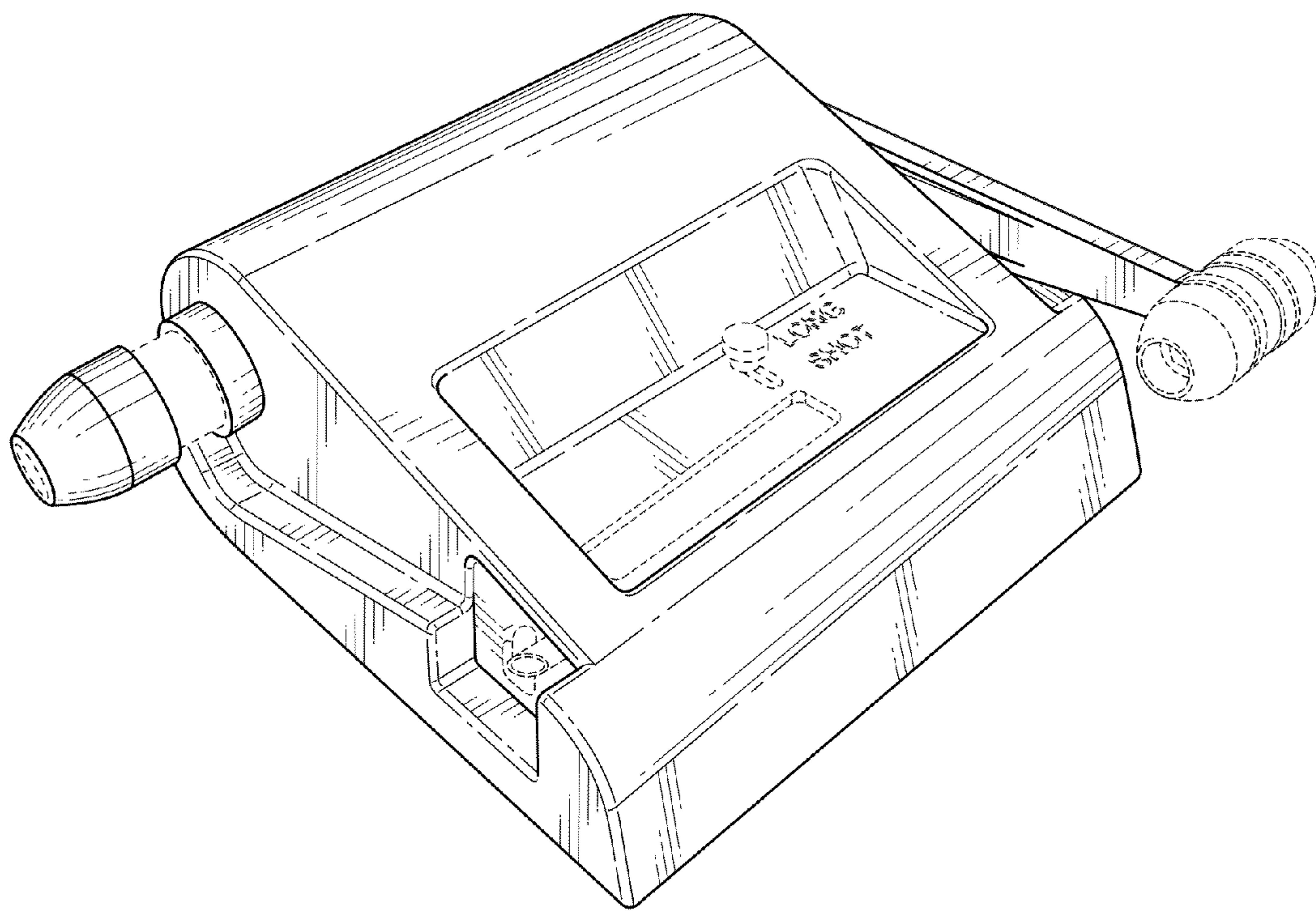


FIG. 1

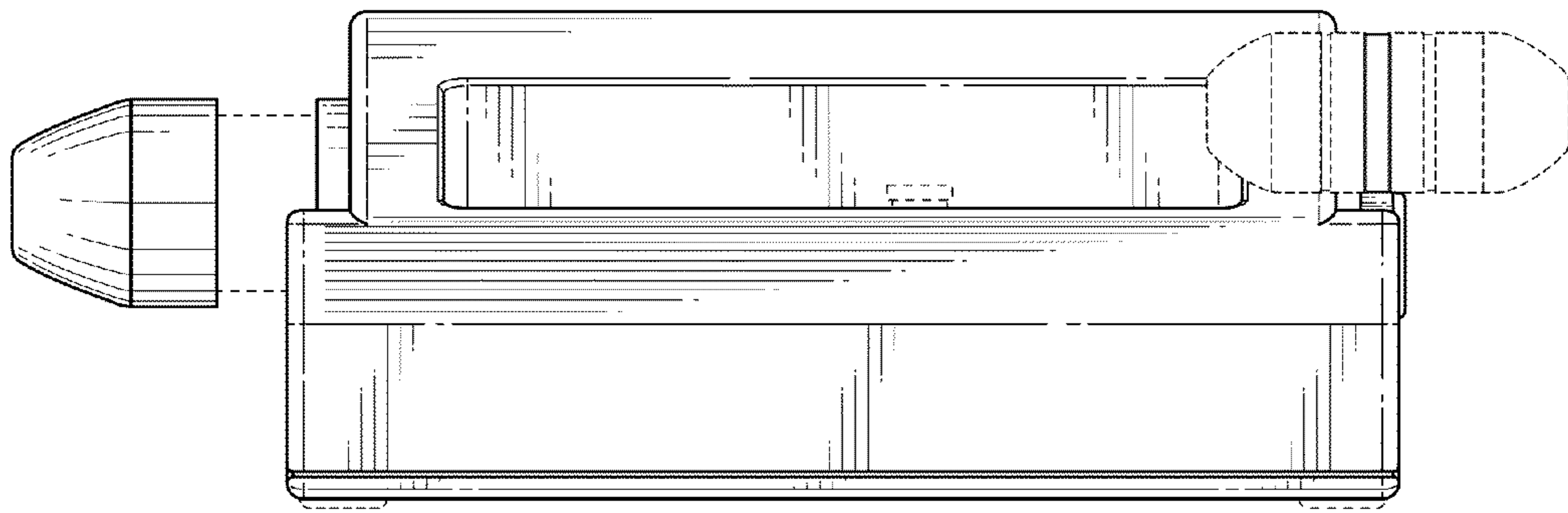


FIG. 2

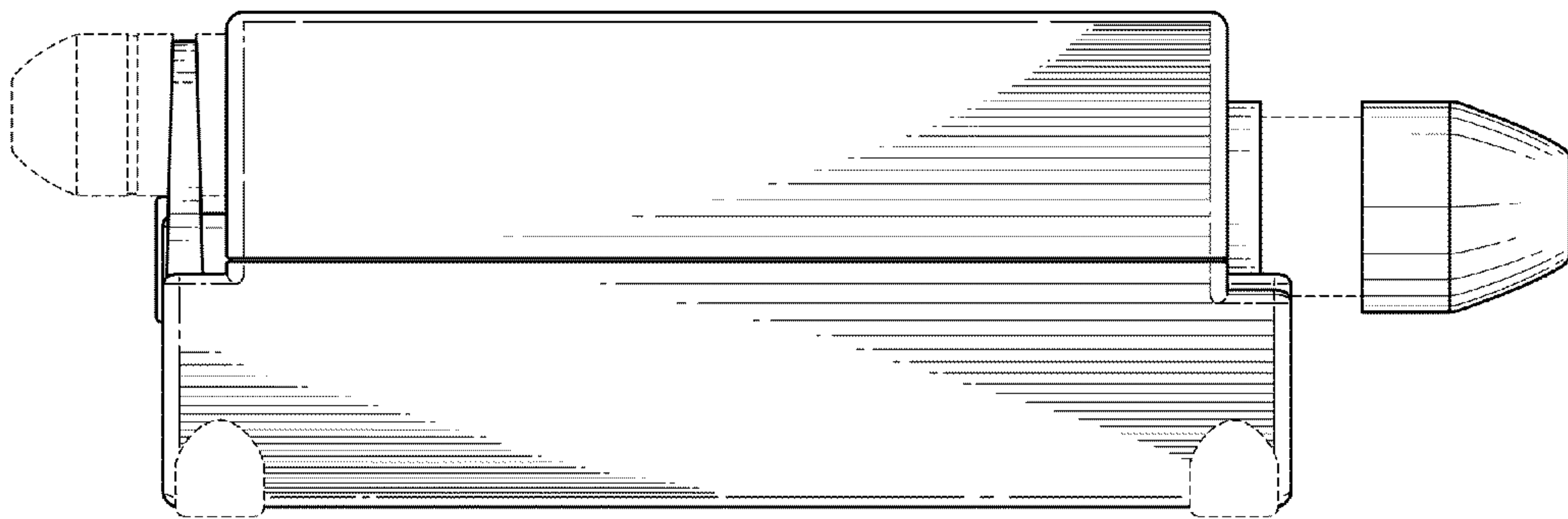


FIG. 3

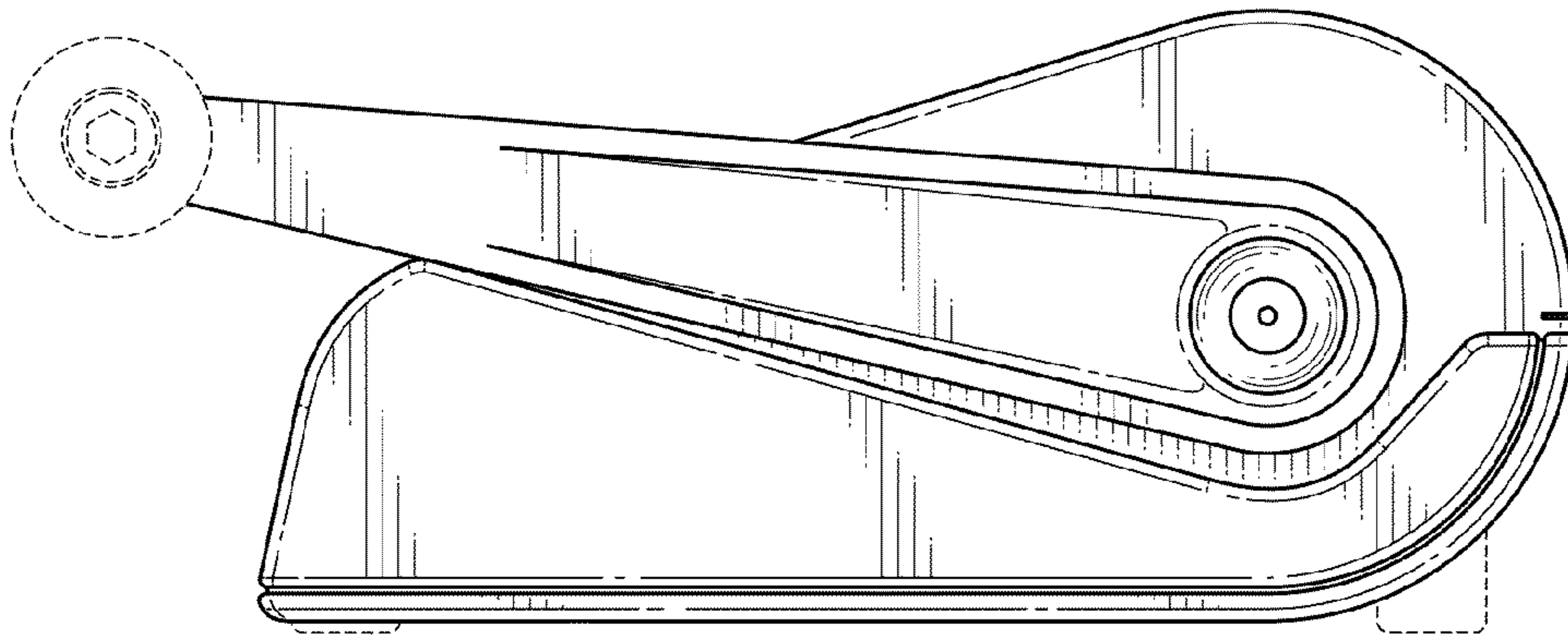


FIG. 4

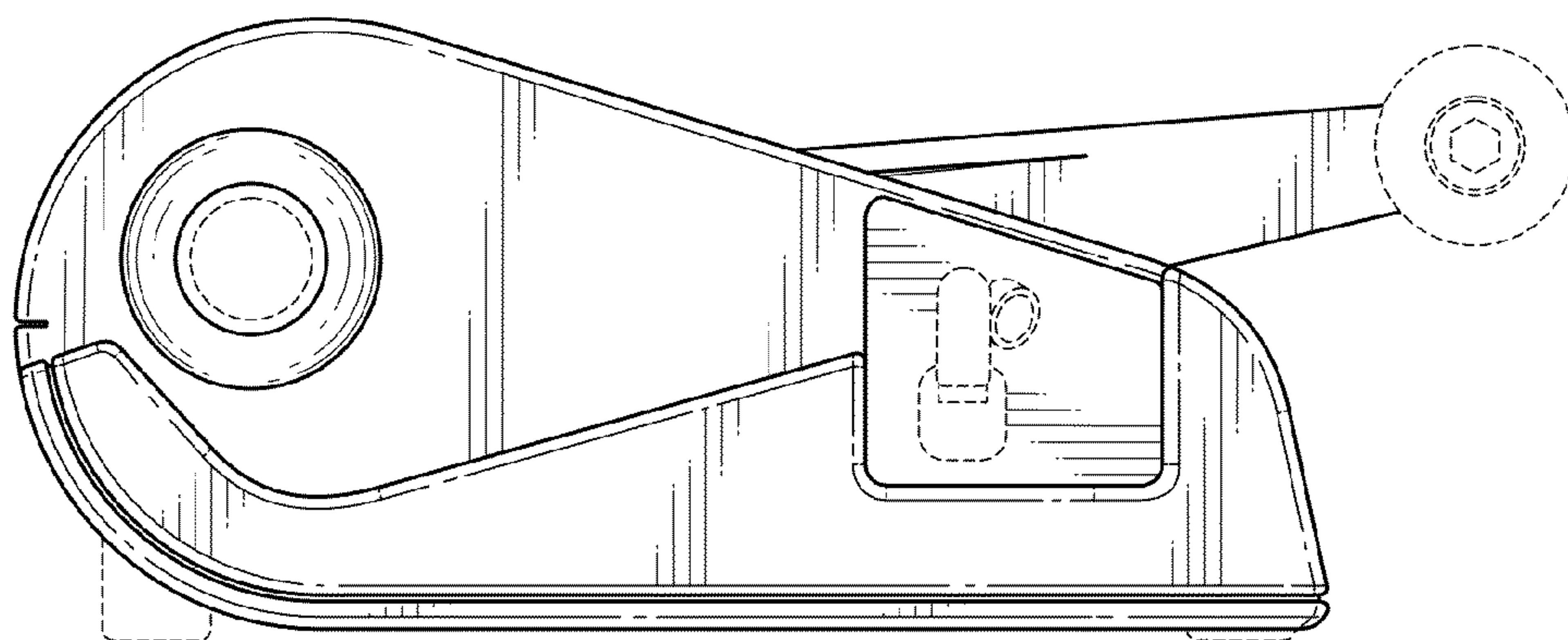


FIG. 5



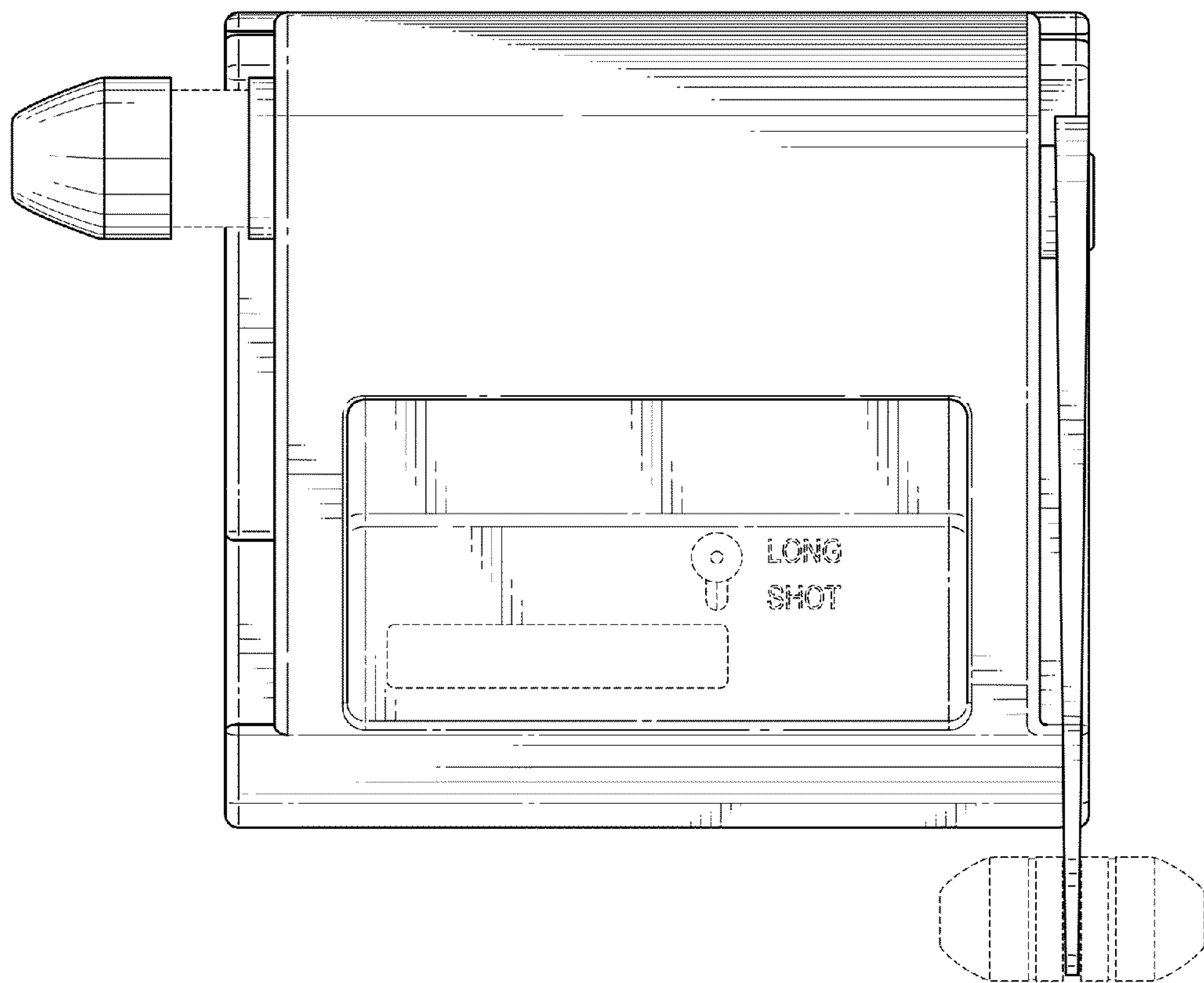


FIG. 6

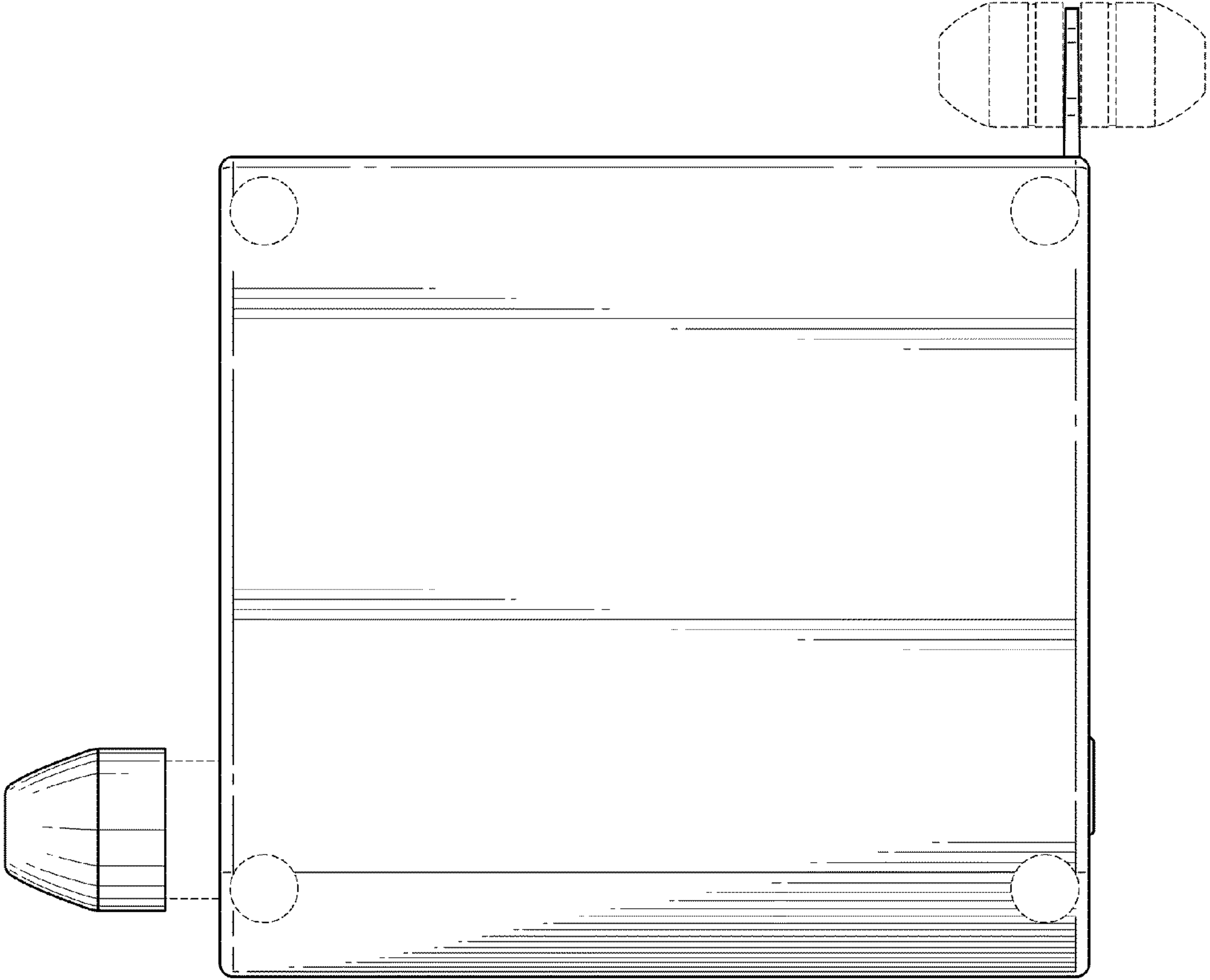


FIG. 7