



US00D700398S

(12) **United States Design Patent**
Lin

(10) **Patent No.:** **US D700,398 S**
(45) **Date of Patent:** **** Feb. 25, 2014**

(54) **CIGARETTE MAKING MACHINE HOPPER**

(71) Applicant: **Republic Tobacco L.P.**, Glenview, IL
(US)

(72) Inventor: **Mei Lin**, Northbrook, IL (US)

(73) Assignee: **Republic Tobacco L.P.**, Glenview, IL
(US)

(**) Term: **14 Years**

(21) Appl. No.: **29/466,086**

(22) Filed: **Sep. 4, 2013**

Related U.S. Application Data

(63) Continuation of application No. 29/441,559, filed on
Jan. 7, 2013, now Pat. No. Des. 691,768.

(51) **LOC (10) Cl.** **27-99**

(52) **U.S. Cl.**
USPC **D27/194**

(58) **Field of Classification Search**
USPC D27/172, 183, 184, 194; D7/372, 678,
D7/679; 131/57, 58, 70-75, 329
See application file for complete search history.

(56) **References Cited**

U.S. PATENT DOCUMENTS

1,892,143 A * 12/1932 Gordon 131/75
2,633,133 A * 3/1953 Higgins 131/74
3,804,343 A * 4/1974 Moffitt 241/37.5
D260,351 S * 8/1981 Shun D7/372

4,790,457 A * 12/1988 Morse et al. 222/158
D475,253 S * 6/2003 Yip D7/666
D691,768 S * 10/2013 Lin D27/194
2013/0047996 A1 * 2/2013 Ryszard et al. 131/70

* cited by examiner

Primary Examiner — Susan Bennett Hattan

Assistant Examiner — Janice Hallmark

(74) *Attorney, Agent, or Firm* — Drinker Biddle & Reath
LLP

(57) **CLAIM**

The ornamental design for a cigarette making machine hopper, as shown and described.

DESCRIPTION

FIG. 1 is a front perspective view of a cigarette making machine hopper;

FIG. 2 is a front elevation view of the cigarette making machine hopper of FIG. 1;

FIG. 3 is a rear elevation view of the cigarette making machine hopper of FIG. 1;

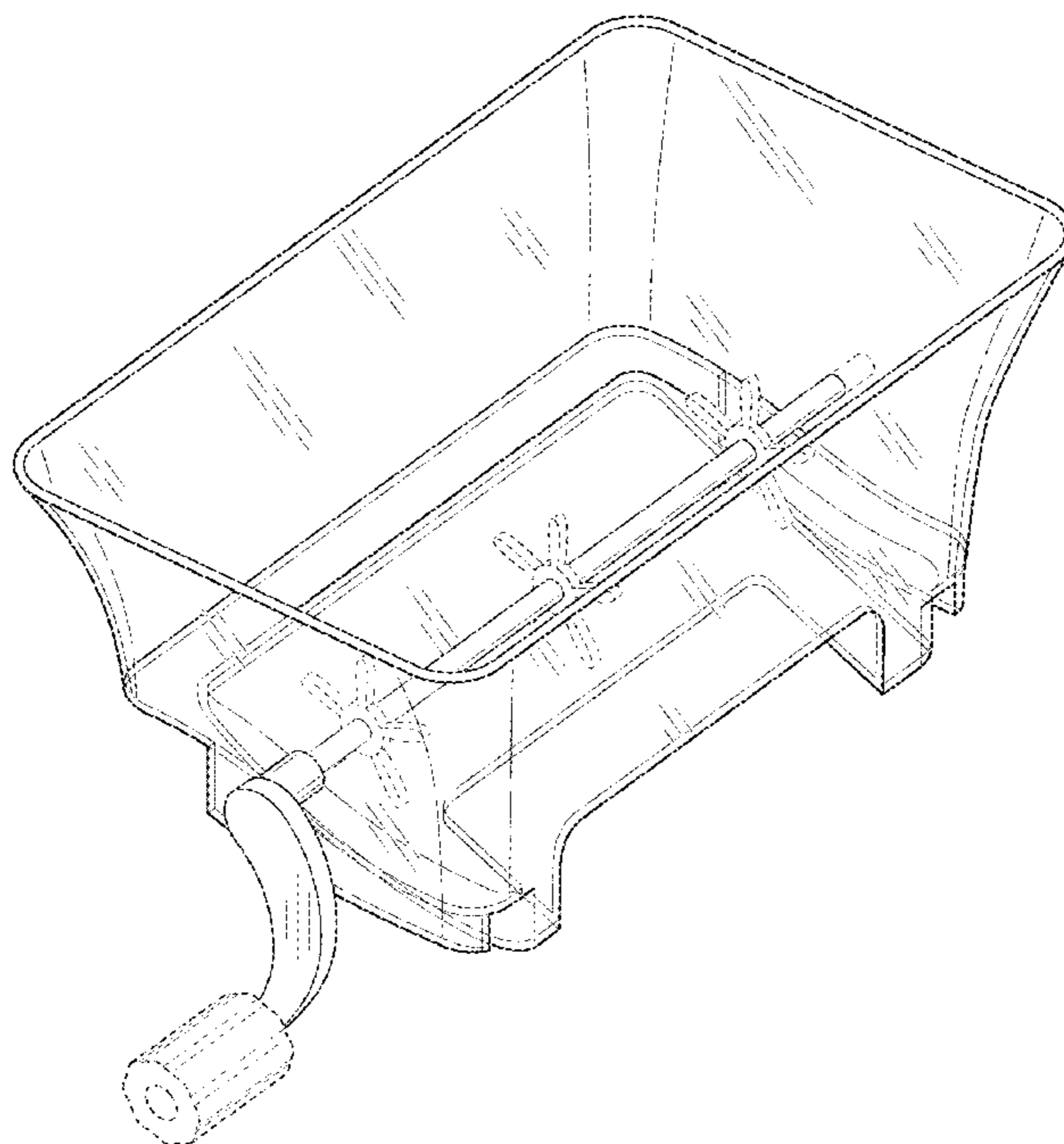
FIG. 4 is a right side elevation view of the cigarette making machine hopper of FIG. 1;

FIG. 5 is a left side elevation view of the cigarette making machine hopper of FIG. 1;

FIG. 6 is a top plan view of the cigarette making machine hopper of FIG. 1; and,

FIG. 7 is a bottom plan view of the cigarette making machine hopper of FIG. 1, wherein the broken lines in the figures show environmental context for illustrative purposes only and do not form a part of the claimed design.

1 Claim, 4 Drawing Sheets



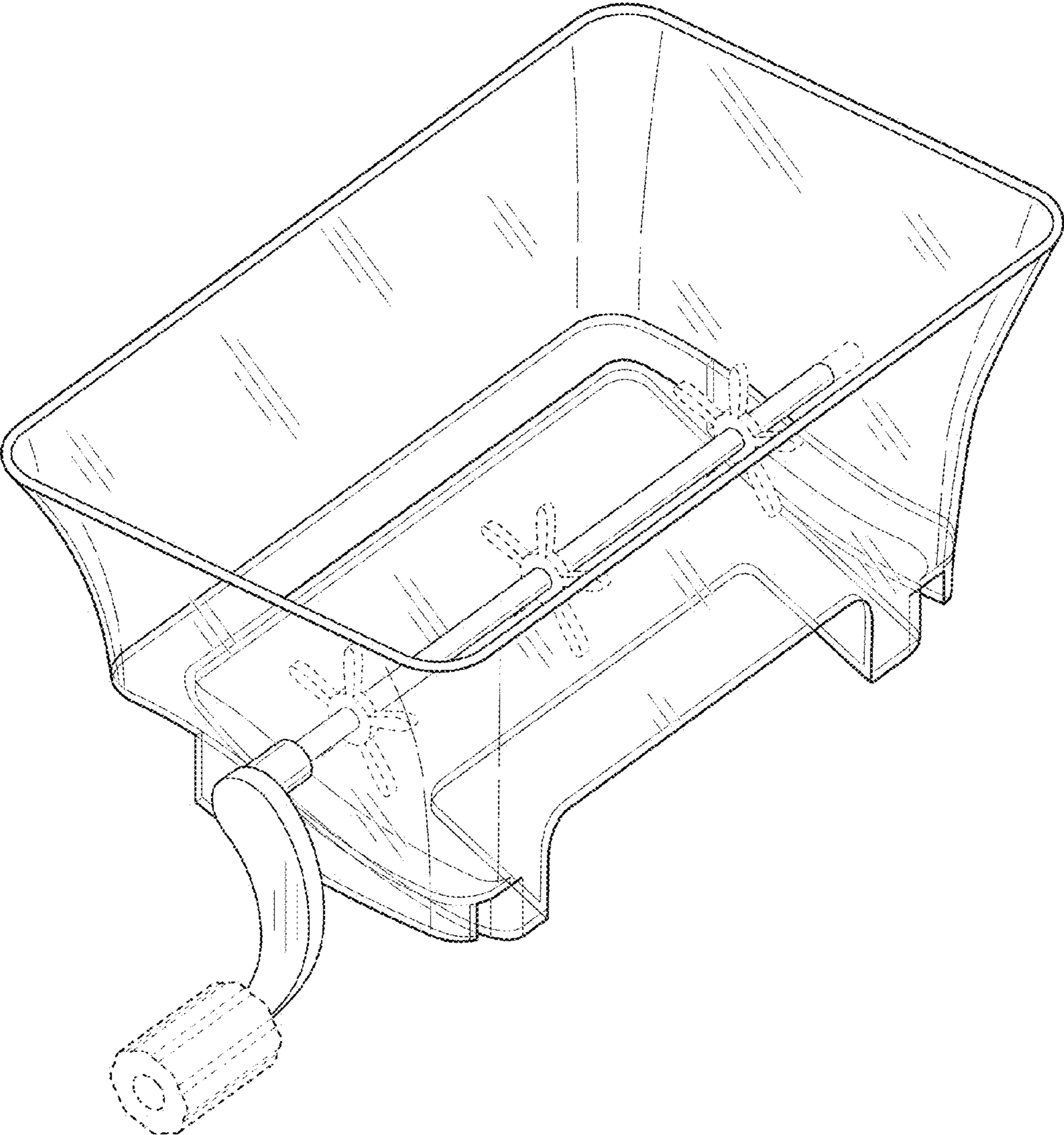


FIG. 1

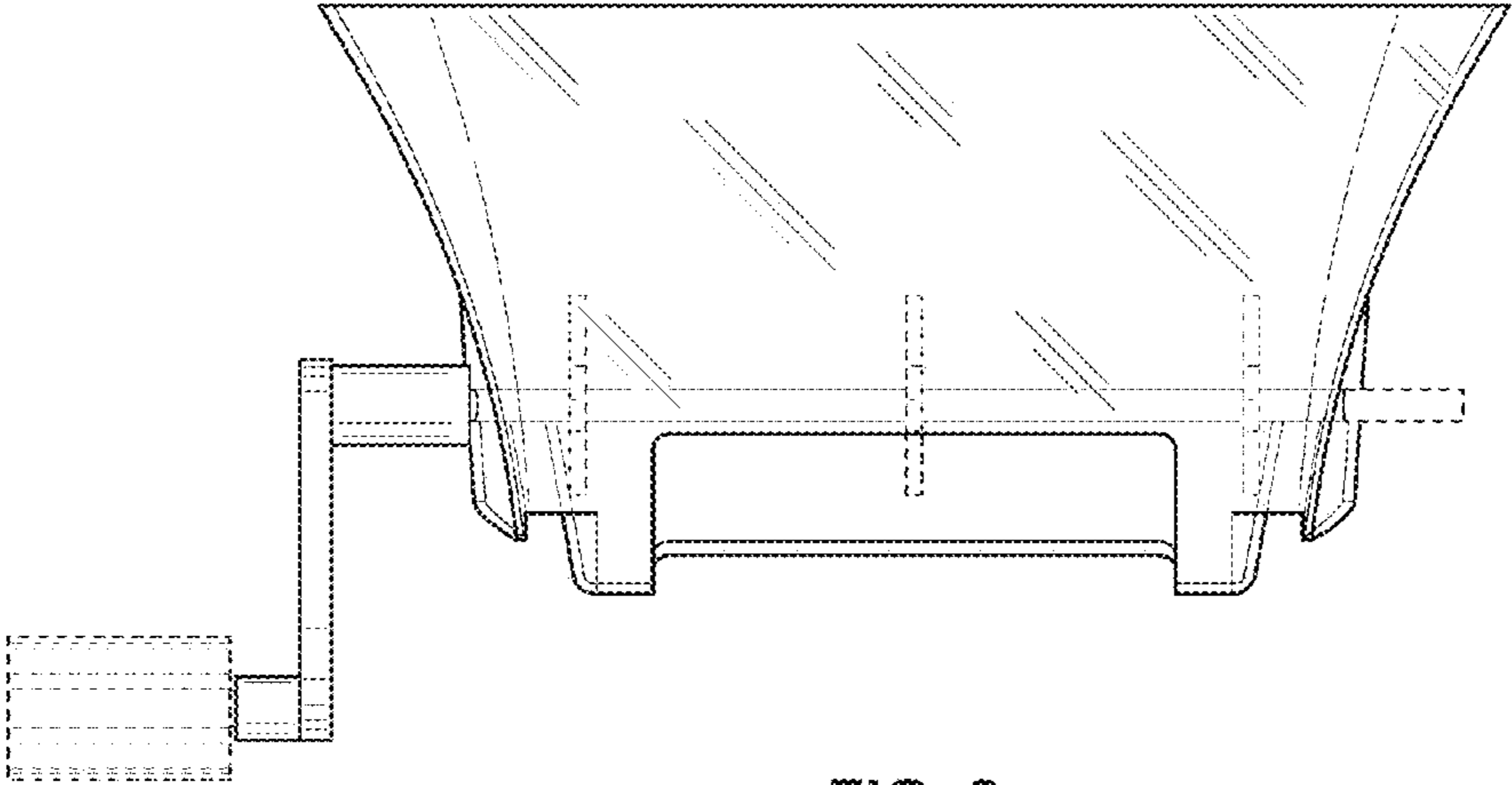


FIG. 2

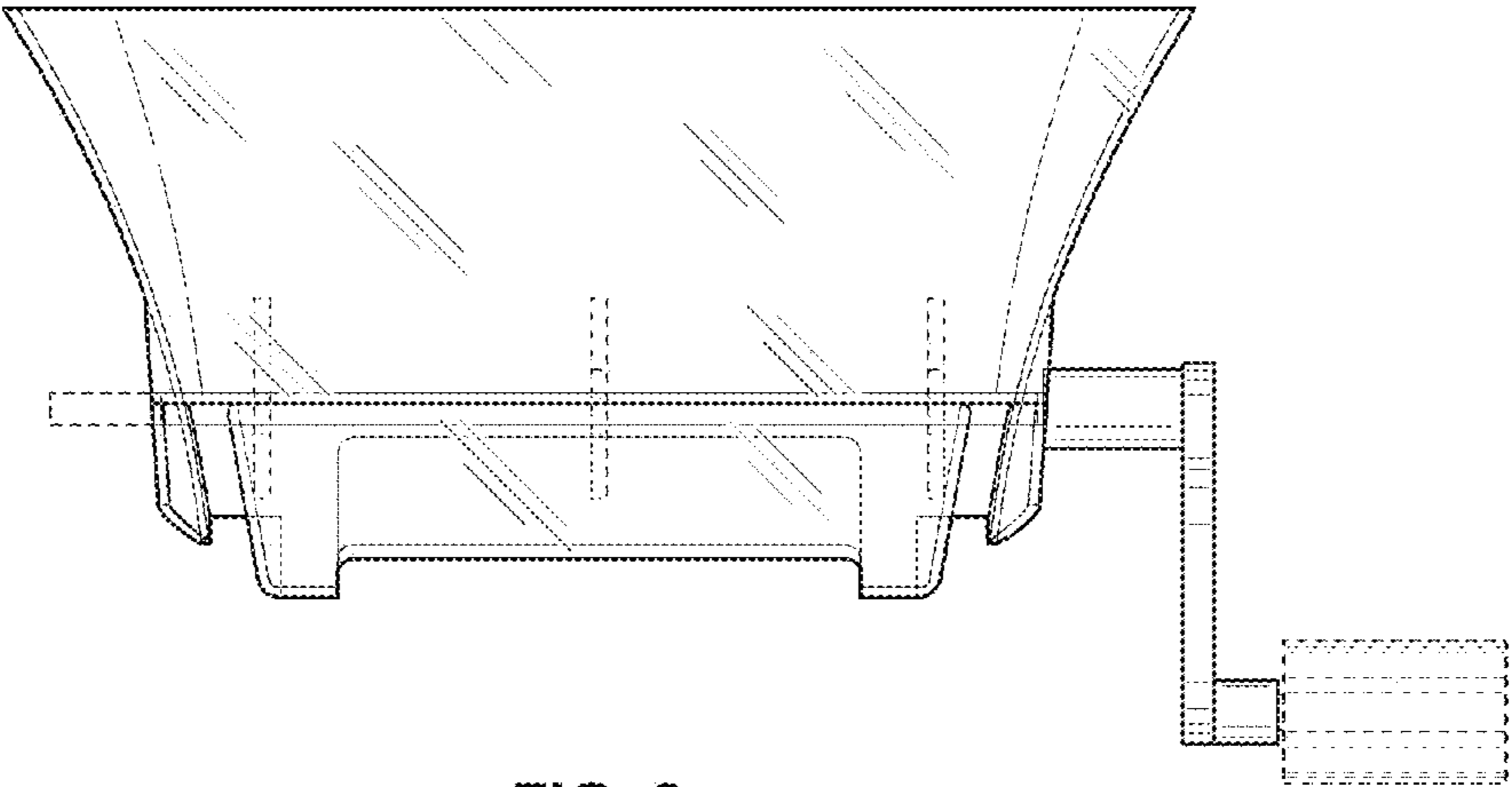


FIG. 3

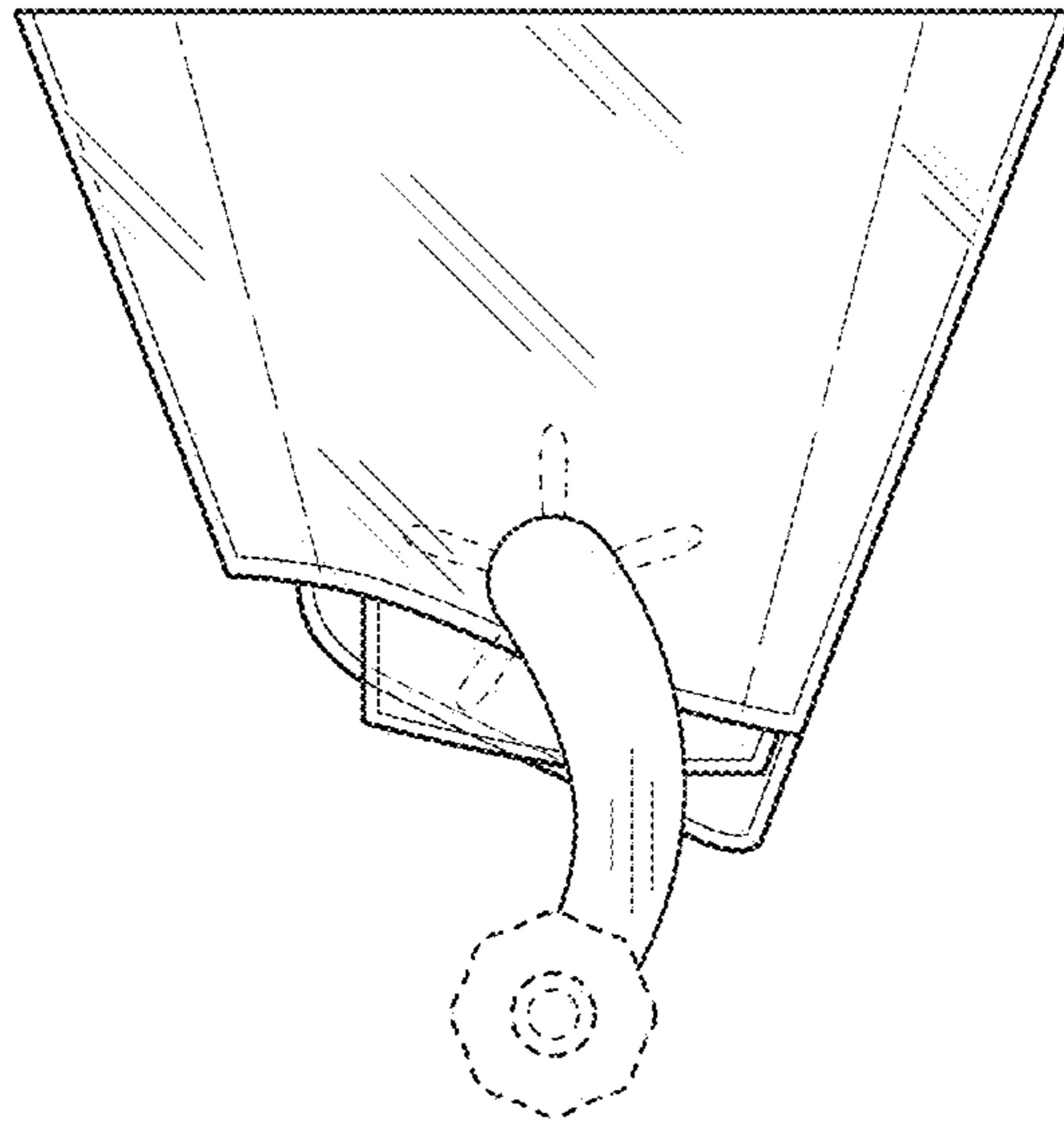


FIG. 4

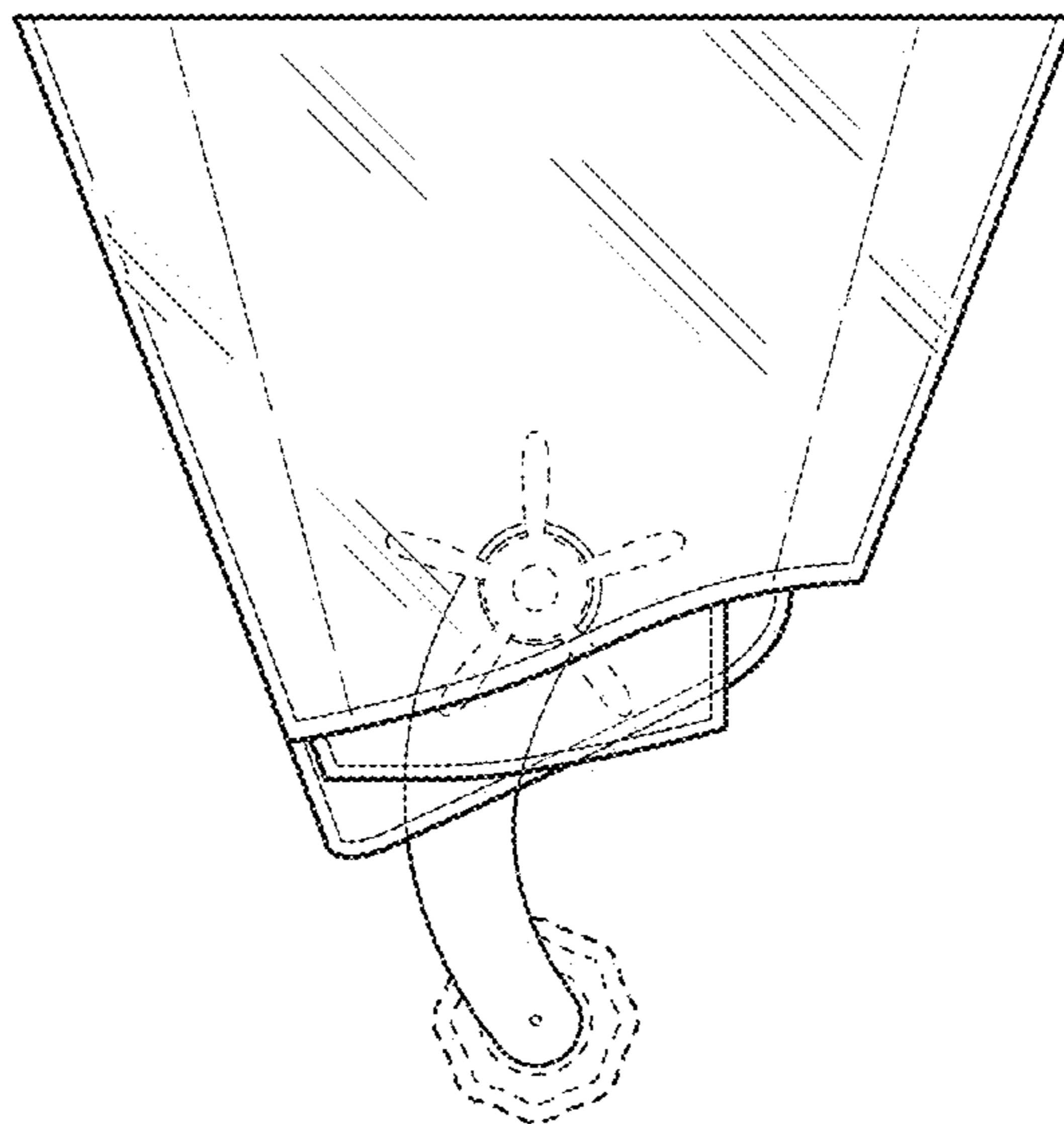


FIG. 5

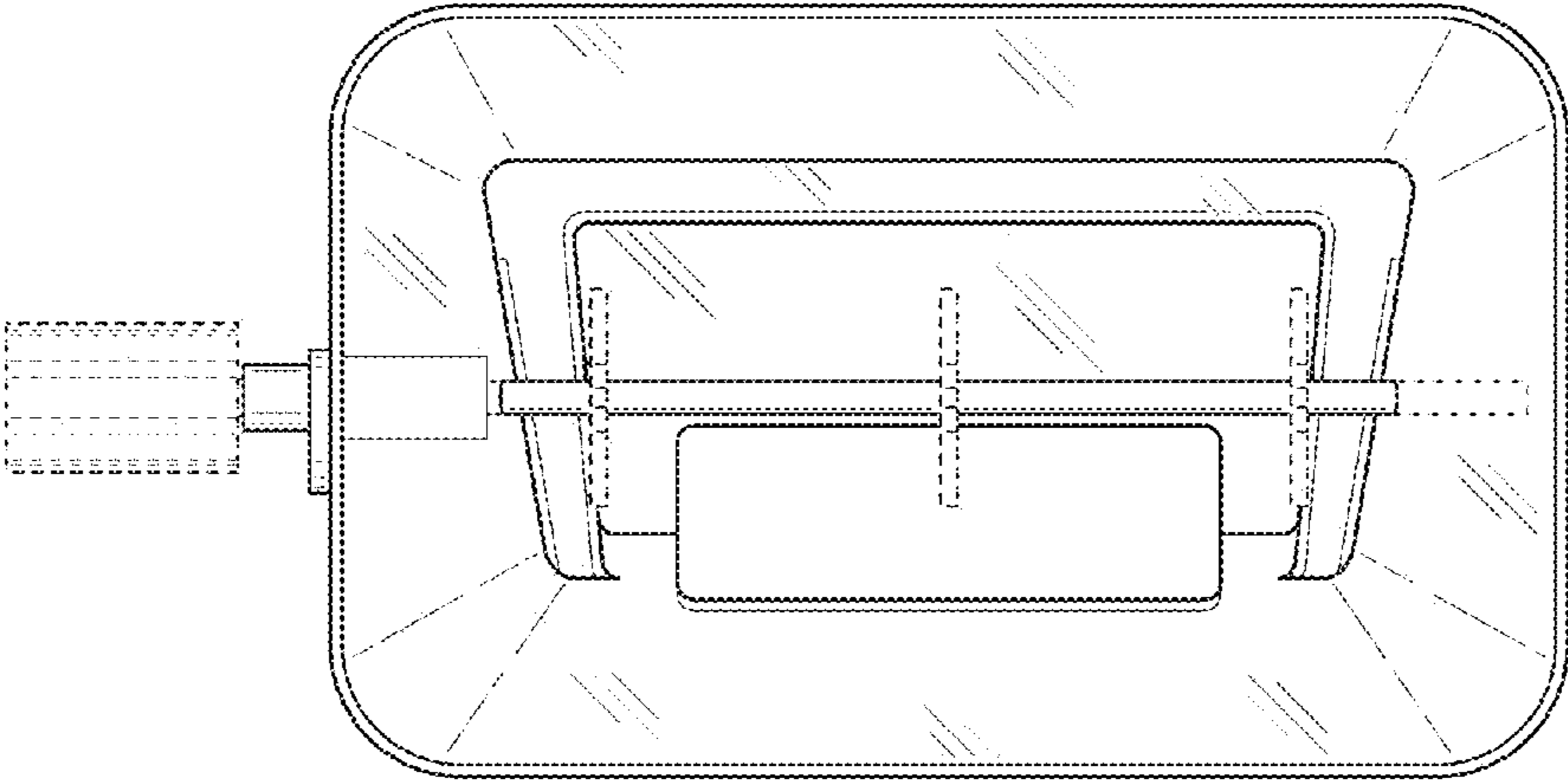


FIG. 6

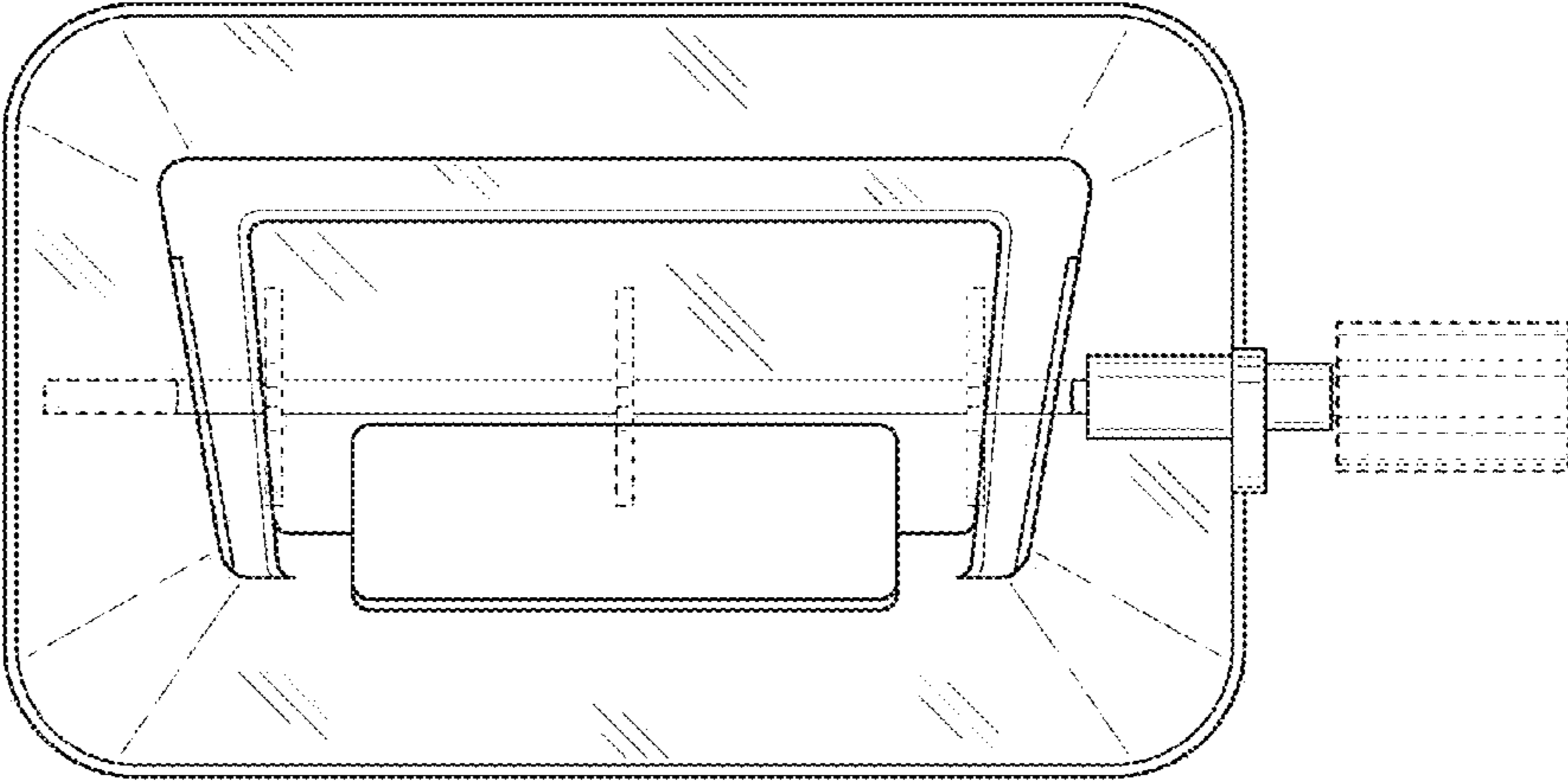


FIG. 7