



US00D700396S

(12) **United States Design Patent**
Ahmet

(10) **Patent No.:** **US D700,396 S**

(45) **Date of Patent:** **** Feb. 25, 2014**

(54) **HOLDER ASSEMBLY FOR SMOKING**

(71) Applicant: **Ulu Ozturk Ahmet**, London (GB)

(72) Inventor: **Ulu Ozturk Ahmet**, London (GB)

(**) Term: **14 Years**

(21) Appl. No.: **29/440,869**

(22) Filed: **Dec. 28, 2012**

(30) **Foreign Application Priority Data**

Dec. 21, 2012 (EM) 002158808

(51) **LOC (10) CL.** **27-05**

(52) **U.S. Cl.**
USPC **D27/161; D27/183**

(58) **Field of Classification Search**
USPC D27/103–105, 108, 125, 142–144,
D27/170–172, 174–176, 186–192, 194, 100,
D27/101, 163–165, 183–185, 161; D34/2;
206/242–276; D3/11, 215, 220,
D3/226–230, 265, 266; 4/258, 259, 267,
4/271, 283; 131/270–273, 329, 330, 194,
131/189, 347, 360–365; D24/110, 113;
D19/77, 81, 84; D28/73–77, 83, 85
See application file for complete search history.

(56) **References Cited**

U.S. PATENT DOCUMENTS

5,706,975 A * 1/1998 Cronk 220/737
D406,386 S * 3/1999 Kuniandy et al. D27/183
D465,645 S * 11/2002 Lombardo et al. D3/215
D471,316 S * 3/2003 Budde D27/161

D485,981 S * 2/2004 Romero D3/215
D514,311 S * 2/2006 Cetera D3/215
D516,241 S * 2/2006 Gaines et al. D27/161
D518,595 S * 4/2006 Morganfield et al. D27/161
D526,775 S * 8/2006 Anderton D3/215
D546,499 S * 7/2007 Gordon, III D27/161
D550,898 S * 9/2007 Burkholder D27/183
D626,285 S * 10/2010 Adame D27/183
D642,376 S * 8/2011 Pennington D3/215
D648,522 S * 11/2011 Gorman D3/215
D670,025 S * 10/2012 Touzjian D27/194
2006/0266374 A1* 11/2006 Nyborg et al. 131/258

* cited by examiner

Primary Examiner — Susan Bennett Hattan

Assistant Examiner — Janice Hallmark

(74) *Attorney, Agent, or Firm* — Hancock Hughey LLP

(57) **CLAIM**

The ornamental design for a holder assembly for smoking, as shown and described.

DESCRIPTION

FIG. 1 is a perspective view of a holder assembly for smoking showing my new design;
FIG. 2 is another perspective view thereof;
FIG. 3 is a right side view thereof; the left side view of the design is the mirror image of the design shown in this figure;
FIG. 4 is a front view thereof;
FIG. 5 is a back view thereof; and,
FIG. 6 is a bottom view thereof.
The broken-line components are shown in the drawings for the purpose of illustrating environmental structure and form no part of the claimed design.

1 Claim, 6 Drawing Sheets

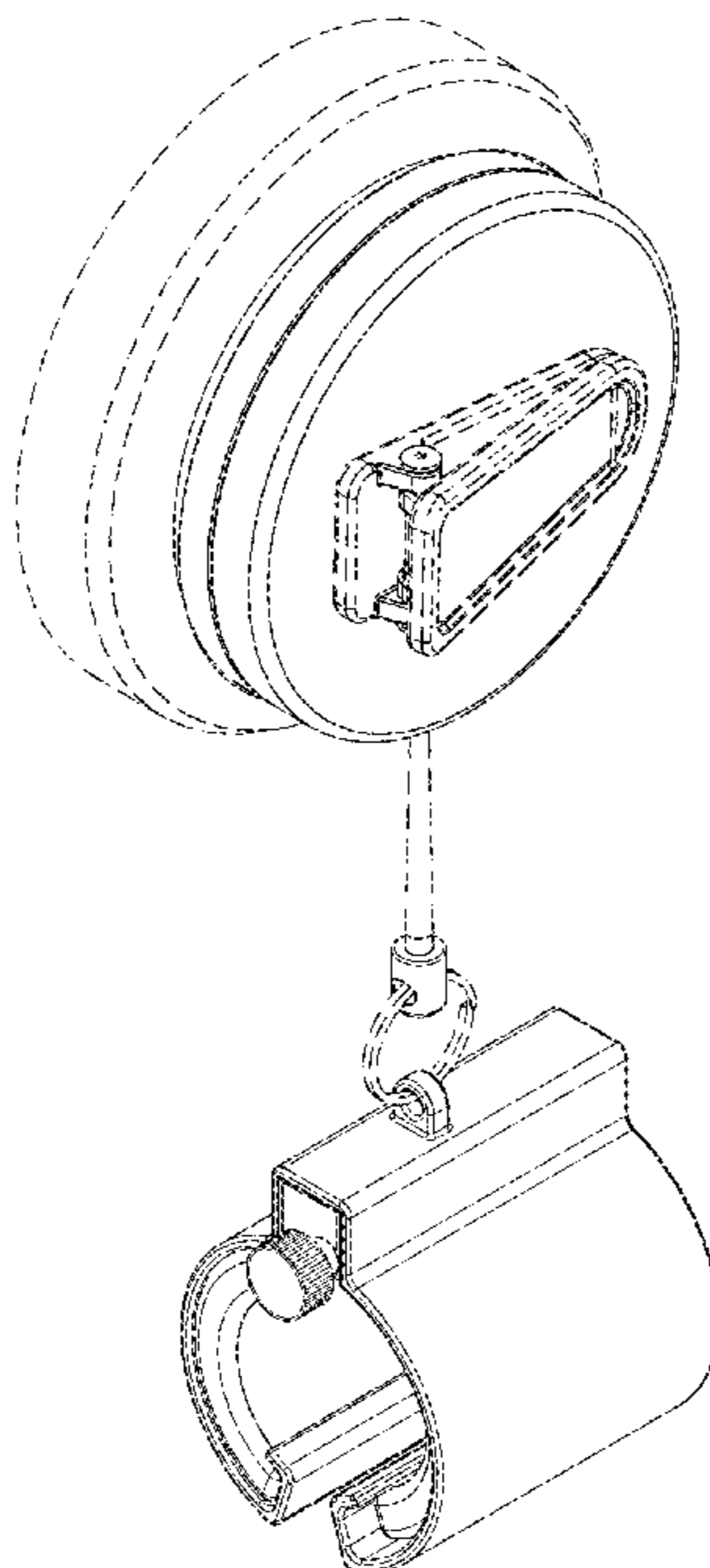


Fig. 1

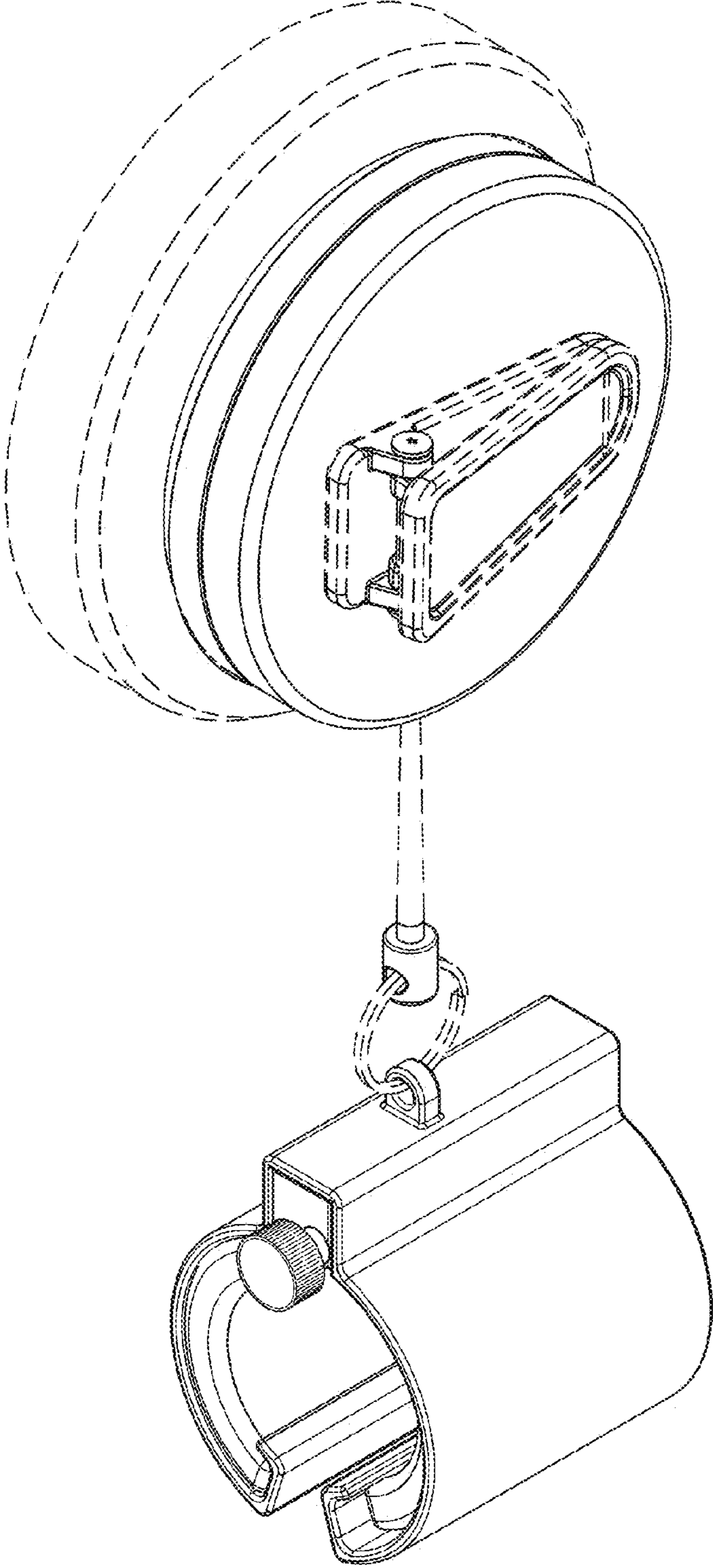


Fig. 2

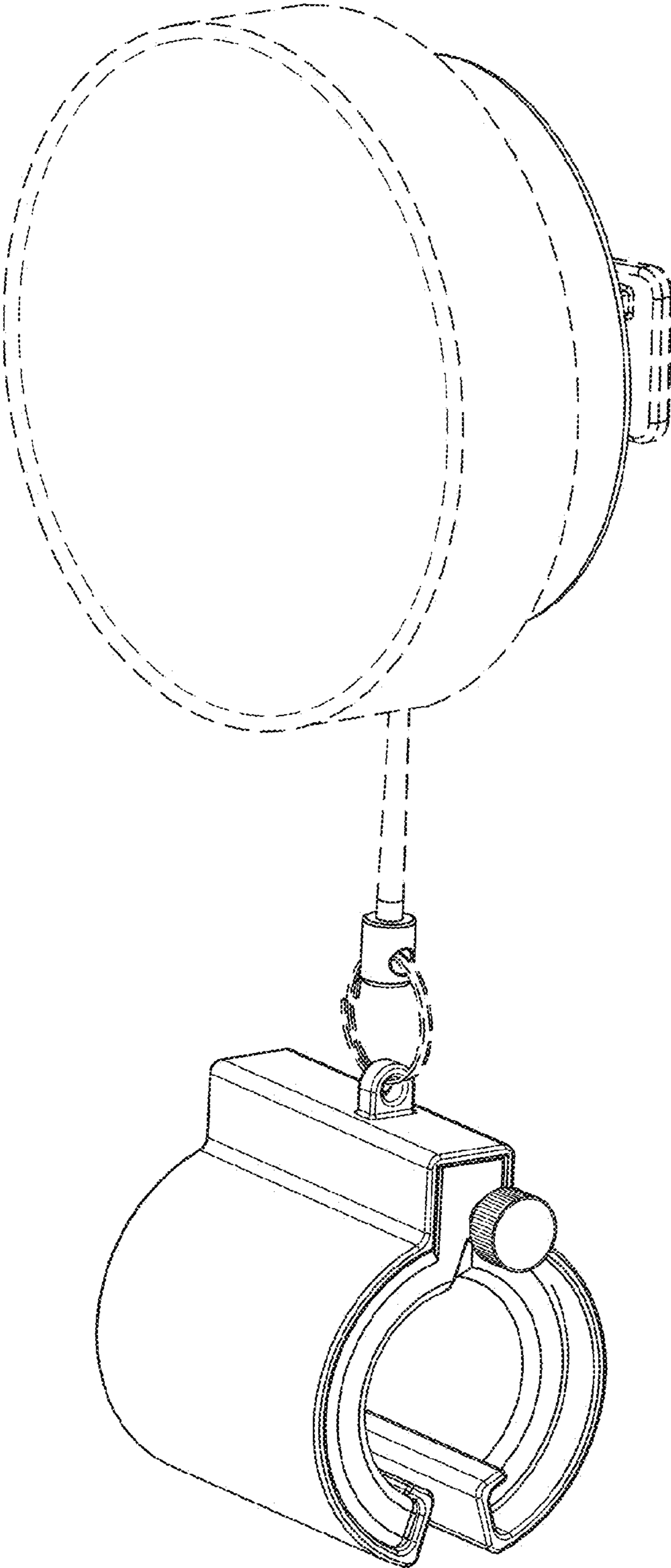


Fig. 3

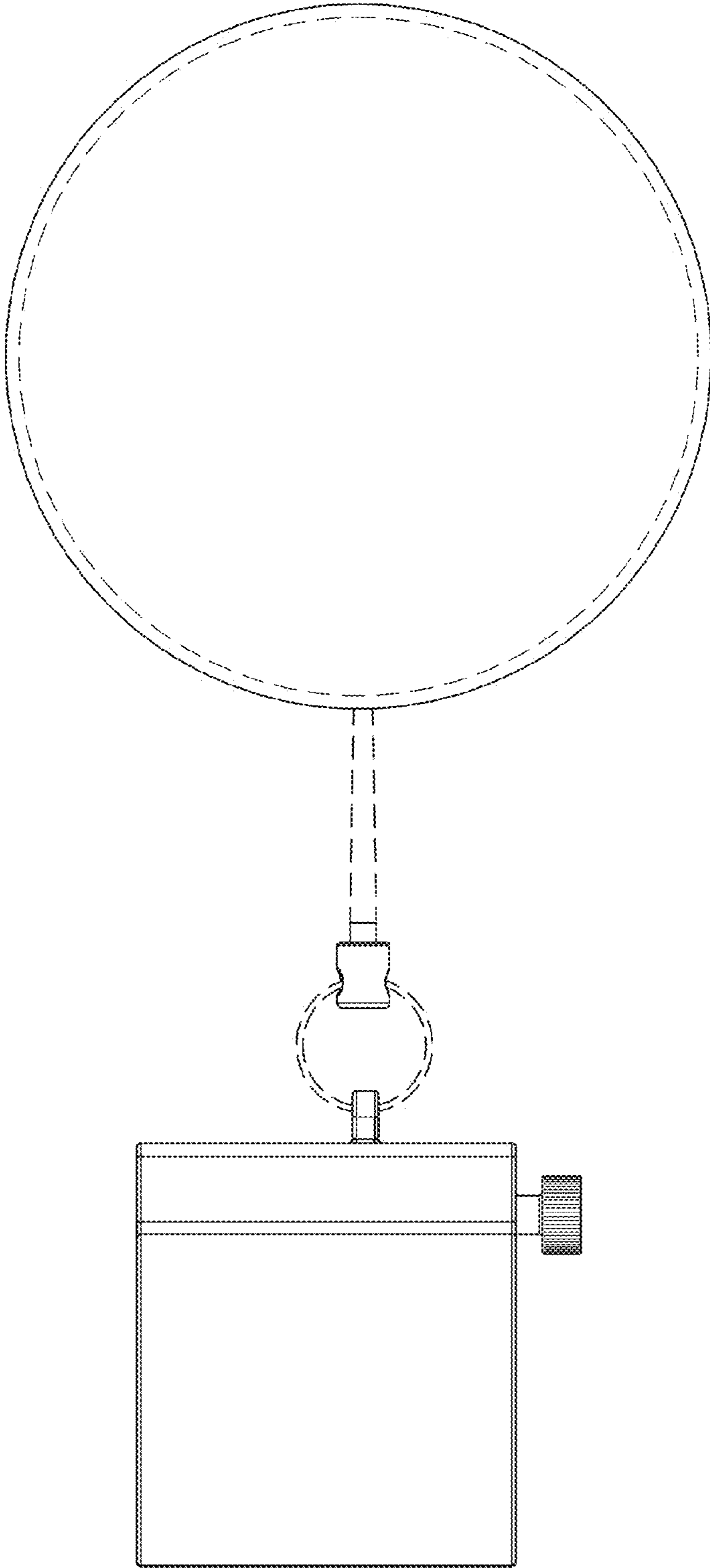


Fig. 4

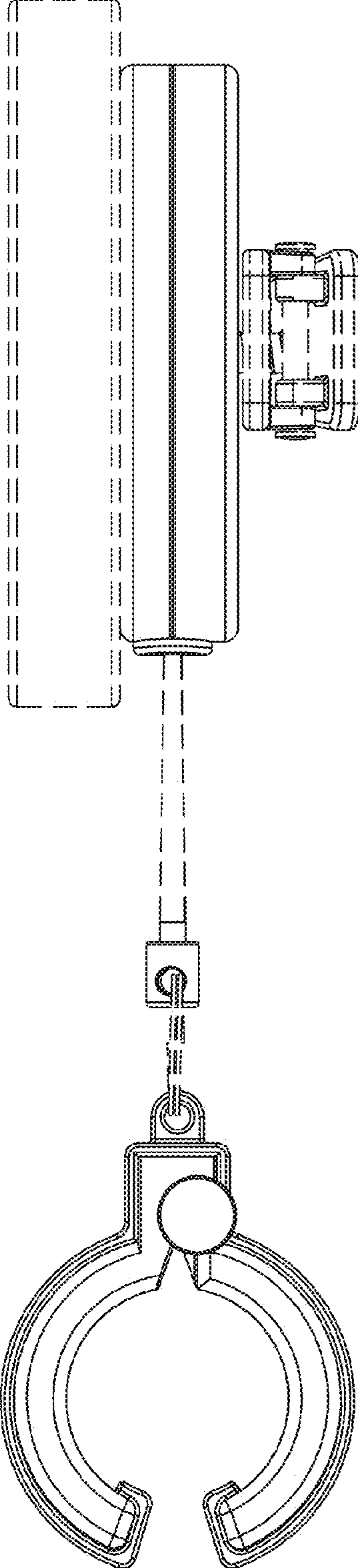
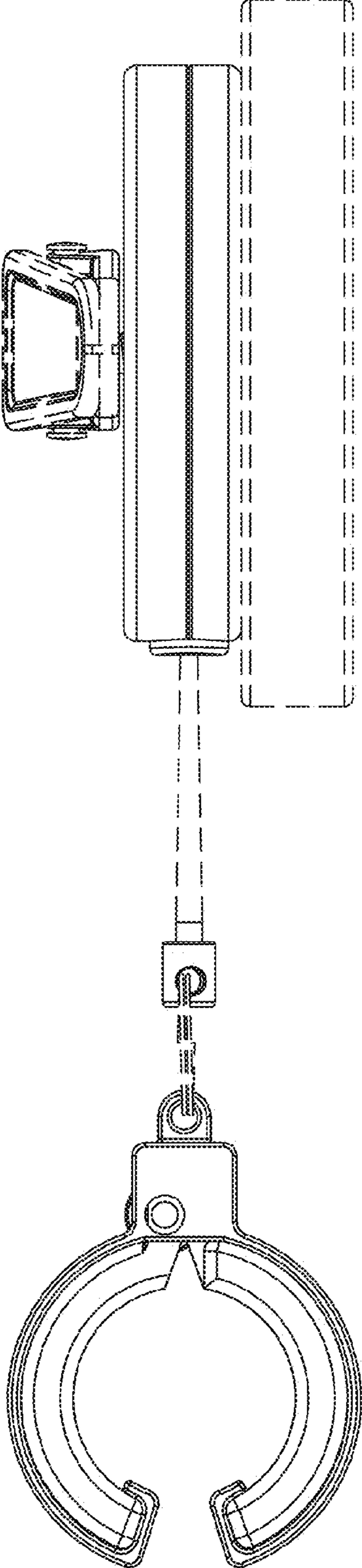


Fig. 5



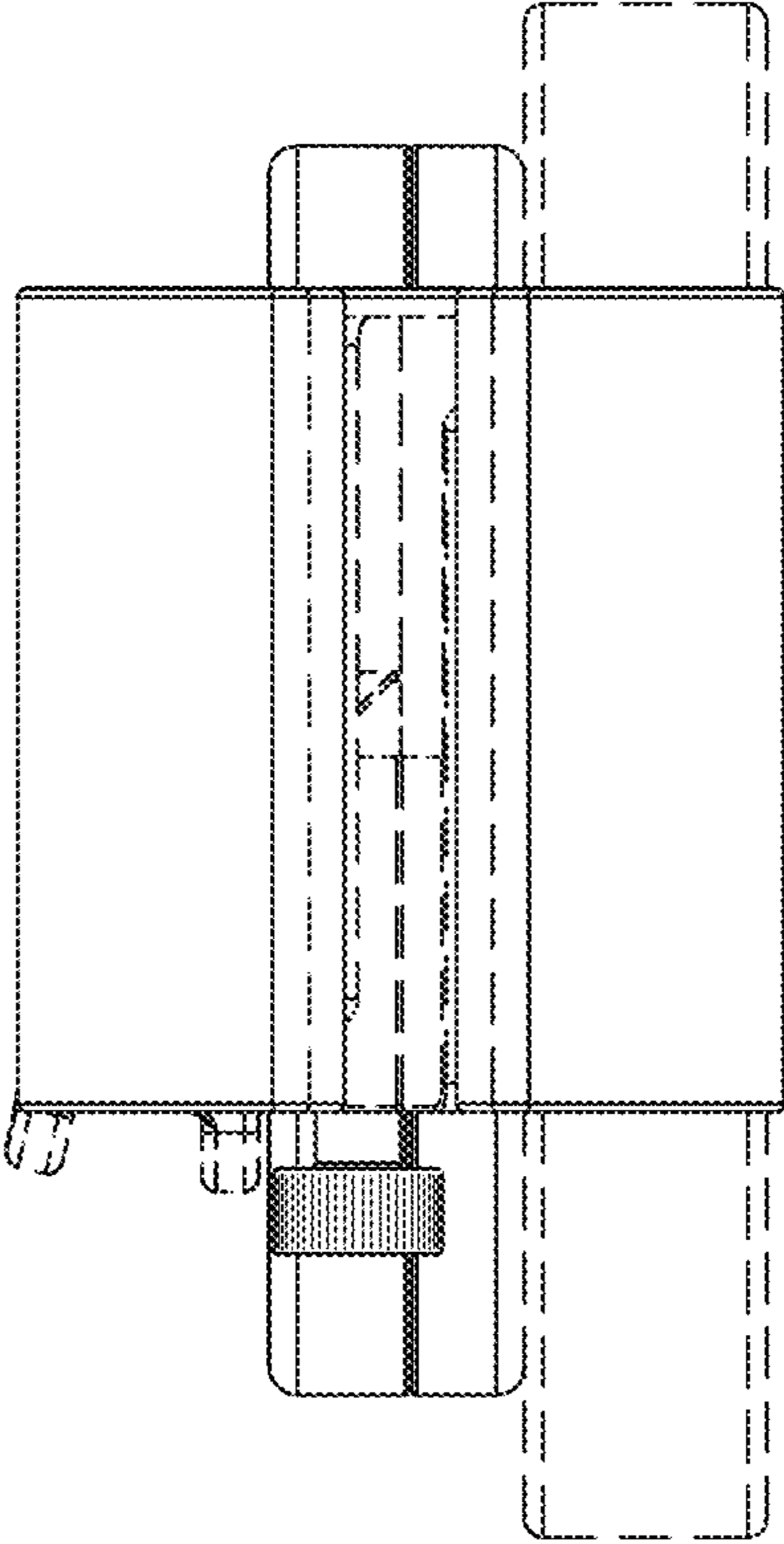


Fig. 6