



US00D700390S

(12) **United States Design Patent**  
**Sabernig**

(10) **Patent No.:** **US D700,390 S**

(45) **Date of Patent:** **\*\* Feb. 25, 2014**

(54) **LIGHT FIXTURE**

(71) Applicant: **EGLO Leuchten GmbH, Pill (AT)**

(72) Inventor: **Robert Sabernig, Münster (AT)**

(73) Assignee: **EGLO Leuchten GmbH (AT)**

(\*\*) Term: **14 Years**

(21) Appl. No.: **29/457,695**

(22) Filed: **Jun. 12, 2013**

(51) **LOC (10) Cl.** ..... **26-03**

(52) **U.S. Cl.**  
USPC ..... **D26/90**

(58) **Field of Classification Search**  
USPC ..... D26/72, 73, 81, 84, 88, 90, 118,  
D26/127-137; 362/147, 404-408, 351, 360,  
362/361

See application file for complete search history.

(56) **References Cited**

**U.S. PATENT DOCUMENTS**

D69,971 S *	4/1926	Schlepp	.....	D26/88
D80,088 S *	12/1929	Plaut	.....	D26/91
D85,049 S *	9/1931	Kopp	.....	D26/128
D92,538 S *	6/1934	Johnson et al.	.....	D26/135
D214,186 S *	5/1969	Meltzer	.....	D26/85
D399,330 S *	10/1998	Geier et al.	.....	D26/88
D444,263 S *	6/2001	Dolan	.....	D26/130
D555,282 S *	11/2007	Hidalgo	.....	D26/128
D592,791 S *	5/2009	Sabernig	.....	D26/84
D593,702 S *	6/2009	Sabernig	.....	D26/88
D634,046 S *	3/2011	Sabernig	.....	D26/84
D634,047 S *	3/2011	Sabernig	.....	D26/84

D634,051 S *	3/2011	Sabernig	.....	D26/88
D634,052 S *	3/2011	Sabernig	.....	D26/88
D650,123 S *	12/2011	Chen	.....	D26/130
D650,124 S *	12/2011	Chen	.....	D26/131
D655,851 S *	3/2012	Sabernig	.....	D26/88
D659,281 S *	5/2012	Patkus et al.	.....	D26/137
D659,884 S *	5/2012	Sabernig	.....	D26/88

\* cited by examiner

*Primary Examiner* — Clare E Heflin

(74) *Attorney, Agent, or Firm* — Baker & McKenzie LLP

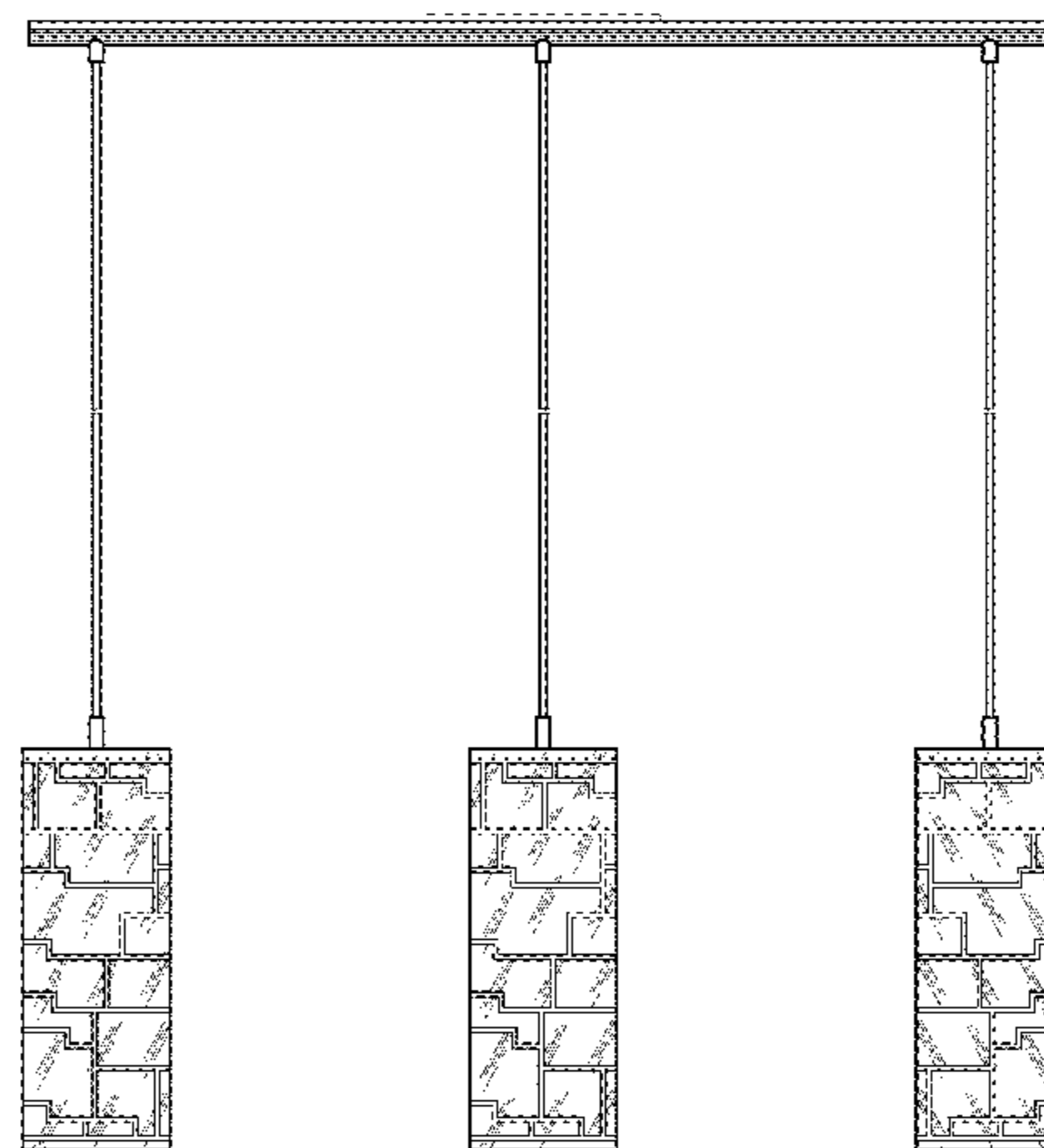
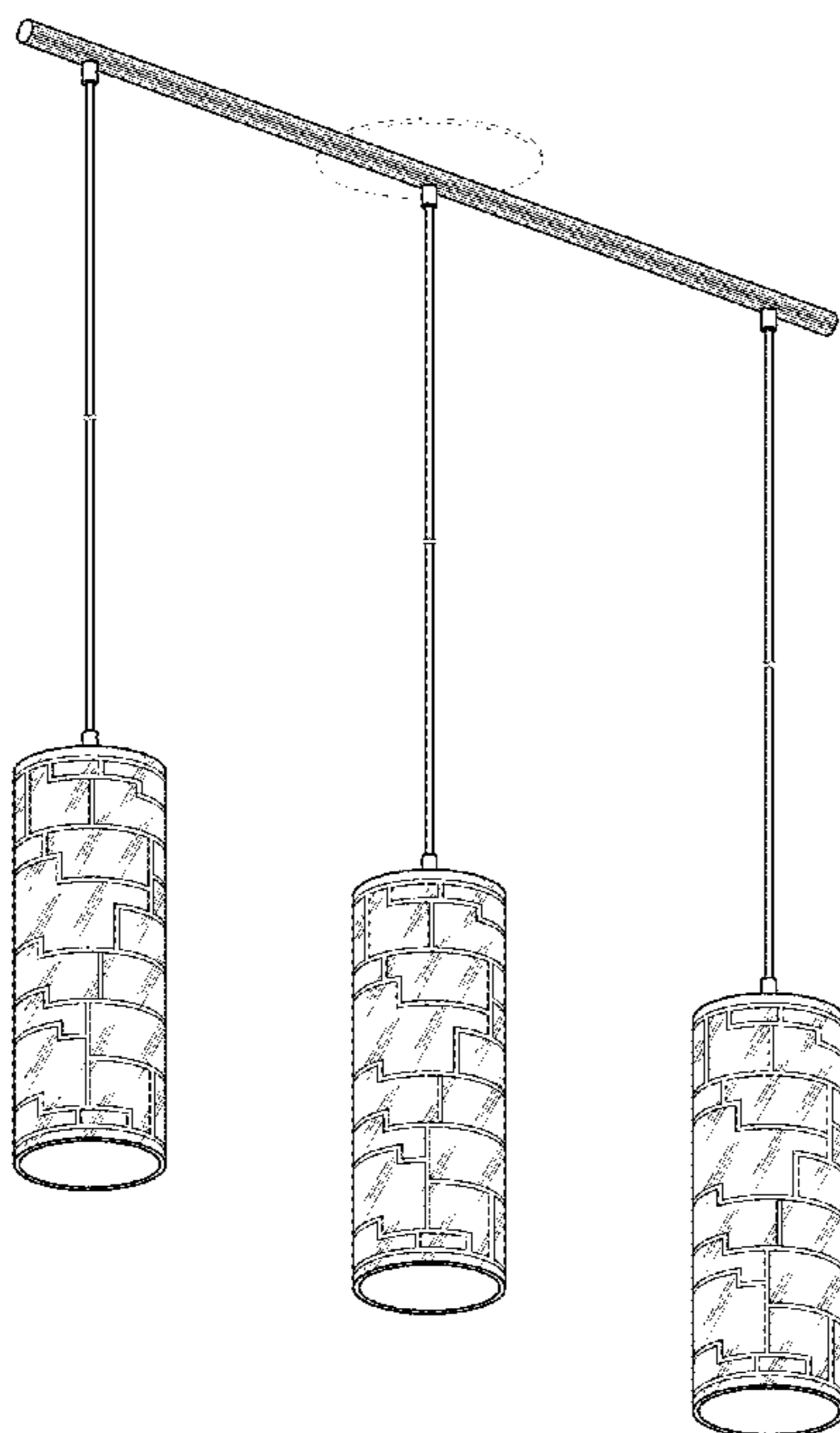
(57) **CLAIM**

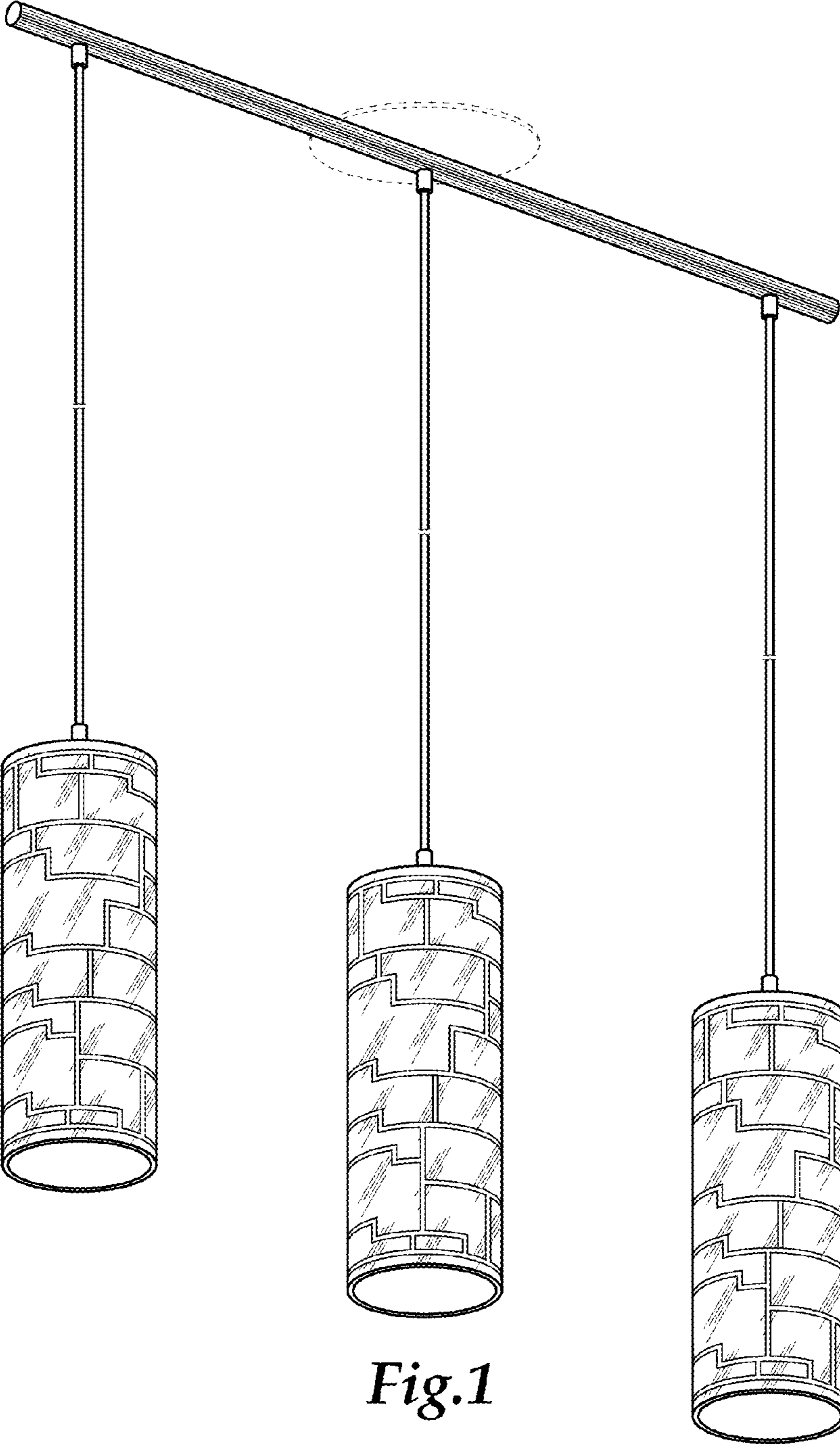
The ornamental design for a light fixture, as shown and described.

**DESCRIPTION**

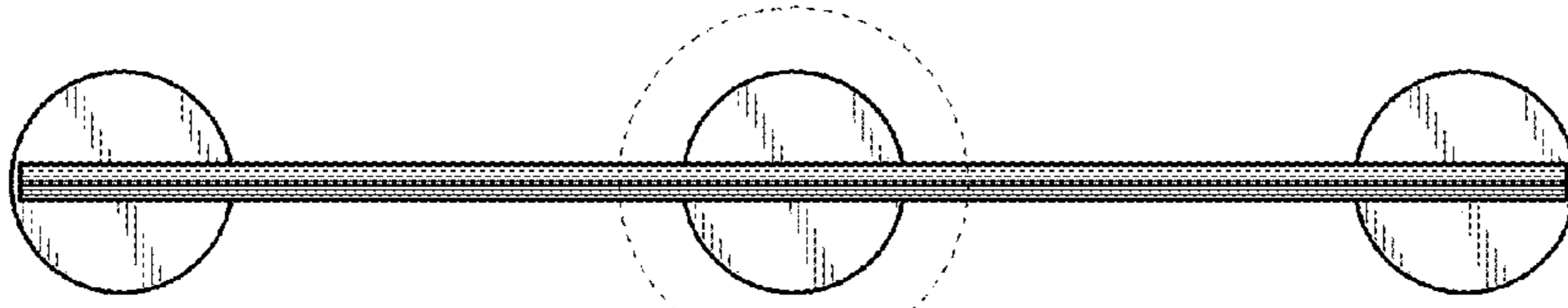
FIG. 1 is a perspective view of a light fixture in accordance with my design;  
 FIG. 2 is a top plan view of the light fixture in accordance with my design;  
 FIG. 3 is a bottom plan view of the light fixture in accordance with my design;  
 FIG. 4 is a front elevation view of the light fixture in accordance with my design, the rear elevation view being substantially identical thereto; and,  
 FIG. 5 is a side elevation view of the light fixture in accordance with my design, the other side elevation view being substantially identical thereto.  
 The portions of the light fixture shown broken away in FIGS. 1 and 4-5 are to depict nonspecific length.  
 The broken-line disclosure of elements is understood to represent portions of the article in which the design is embodied, but which form no part of the claimed design.

**1 Claim, 2 Drawing Sheets**

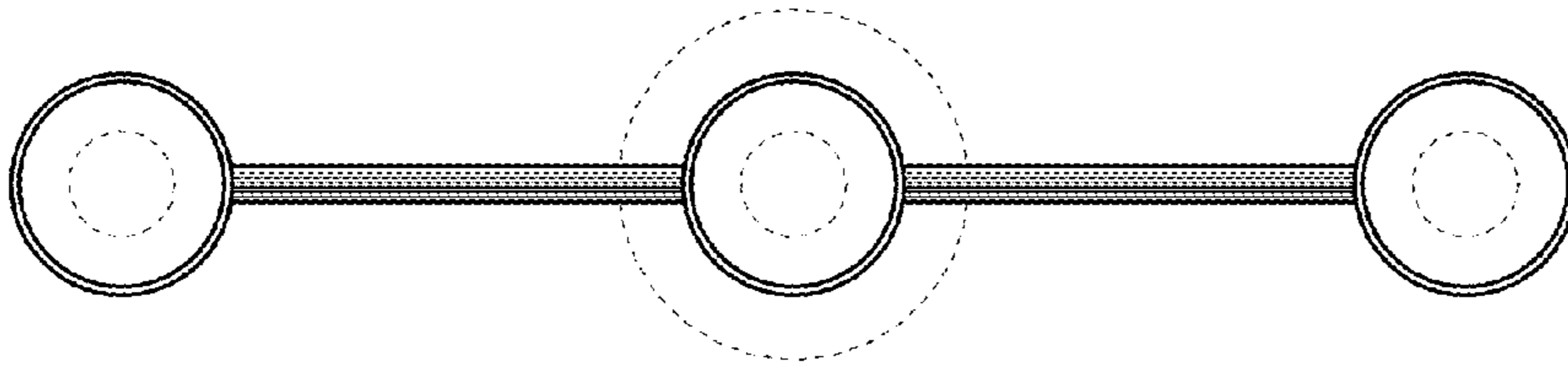




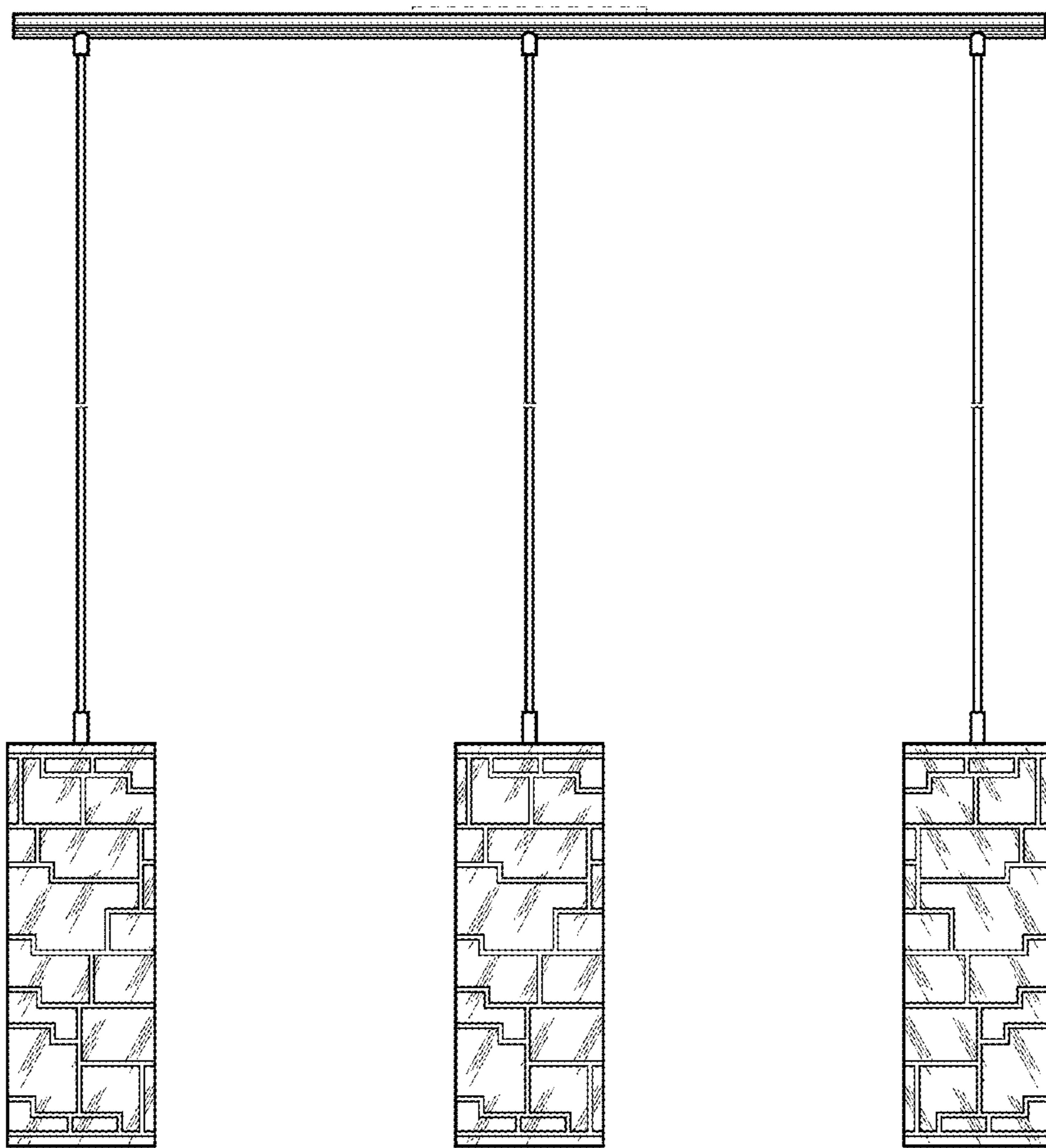
*Fig.1*



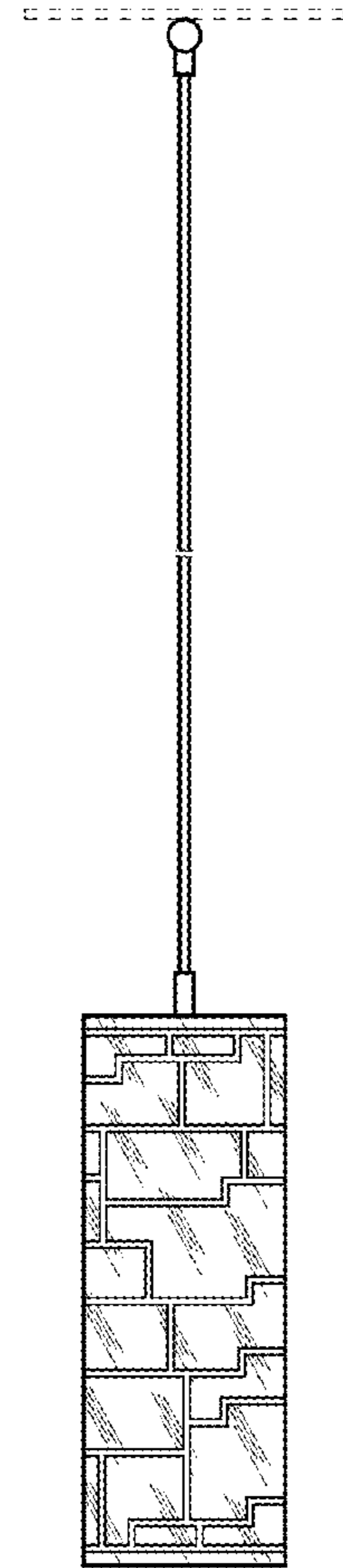
*Fig.2*



*Fig.3*



*Fig.4*



*Fig.5*