

US00D700387S

(12) **United States Design Patent**  
**Snell**

(10) **Patent No.:** **US D700,387 S**

(45) **Date of Patent:** **\*\* Feb. 25, 2014**

(54) **LIGHT FIXTURE**

(75) Inventor: **Nathan R. Snell**, Raleigh, NC (US)

(73) Assignee: **Cree, Inc.**, Durham, NC (US)

(\*\*) Term: **14 Years**

(21) Appl. No.: **29/419,444**

(22) Filed: **Apr. 27, 2012**

(51) **LOC (10) Cl.** ..... **26-05**

(52) **U.S. Cl.**  
USPC ..... **D26/74**

(58) **Field of Classification Search**

USPC ..... D26/74, 113, 118, 119, 120, 122, 138,  
D26/141, 24, 58, 59, 67, 72, 75, 76, 77, 78,  
D26/79, 80, 81, 82, 83, 84, 85, 86, 88, 89,  
D26/90, 91, 93, 105; 362/364, 365, 366,  
362/145, 146, 147, 148, 150, 151, 152, 153,  
362/153.1, 217.06, 217.07, 219, 294,  
362/296.01, 311.07, 311.09

See application file for complete search history.

(56) **References Cited**

**U.S. PATENT DOCUMENTS**

D591,894	S *	5/2009	Flank	.....	D26/74
D625,876	S *	10/2010	Chen et al.	.....	D26/74
D633,099	S *	2/2011	Van de Ven et al.	.....	D15/1
D658,802	S *	5/2012	Chen	.....	D26/74
D678,583	S *	3/2013	Jeswani et al.	.....	D26/74
8,403,533	B1 *	3/2013	Paulsel	.....	362/249.02
D681,859	S *	5/2013	Beregszaszi	.....	D26/74
8,434,907	B2 *	5/2013	Kong et al.	.....	362/294
D684,288	S *	6/2013	Gielen	.....	D26/74
D684,720	S *	6/2013	Rashidi	.....	D26/74

2010/0148672	A1 *	6/2010	Hopper	.....	315/113
2012/0182744	A1 *	7/2012	Santiago et al.	.....	362/365
2013/0051012	A1 *	2/2013	Oehle et al.	.....	362/235

\* cited by examiner

*Primary Examiner* — Angela J Lee

(74) *Attorney, Agent, or Firm* — Withrow & Terranova, P.L.L.C.

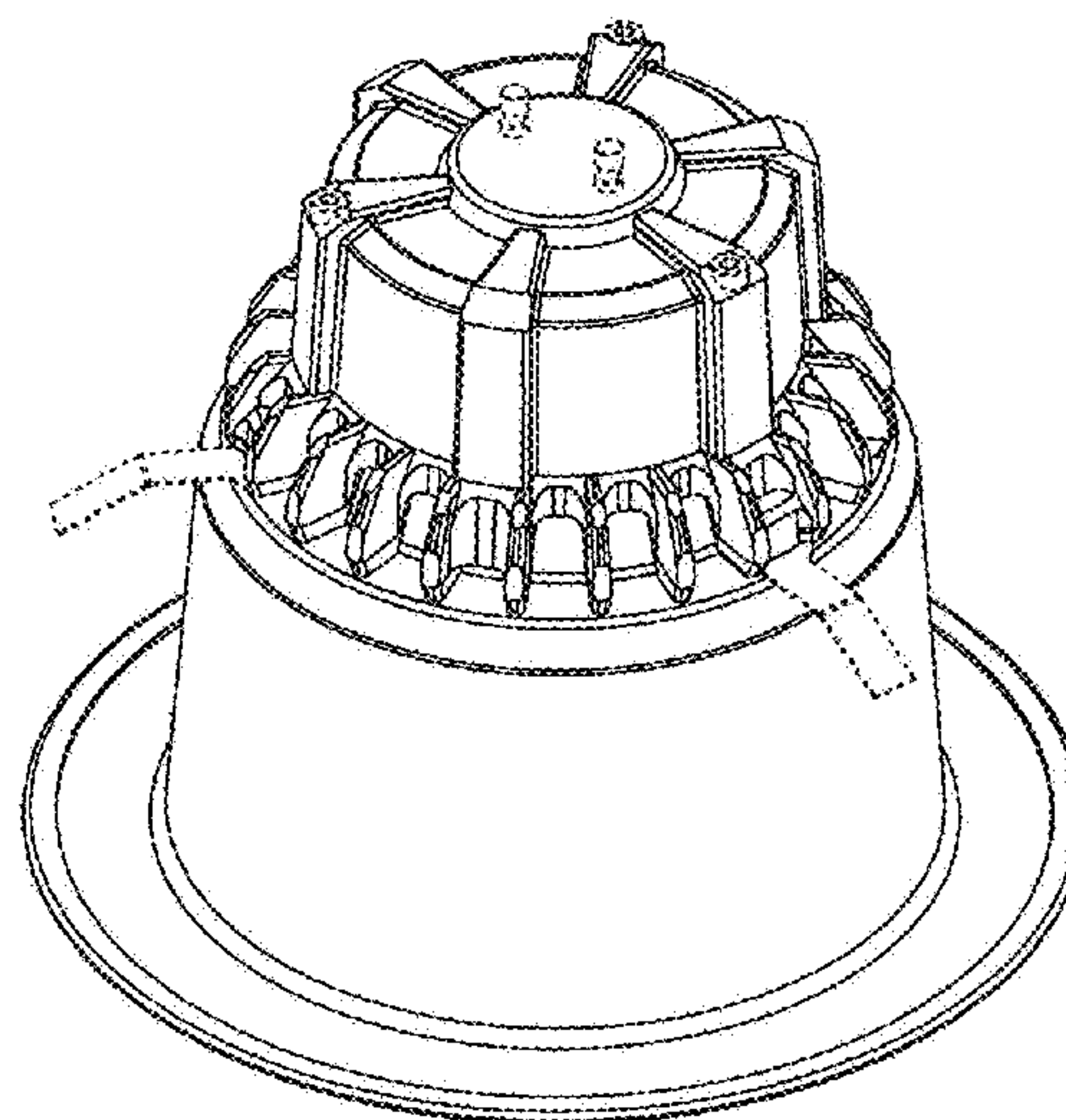
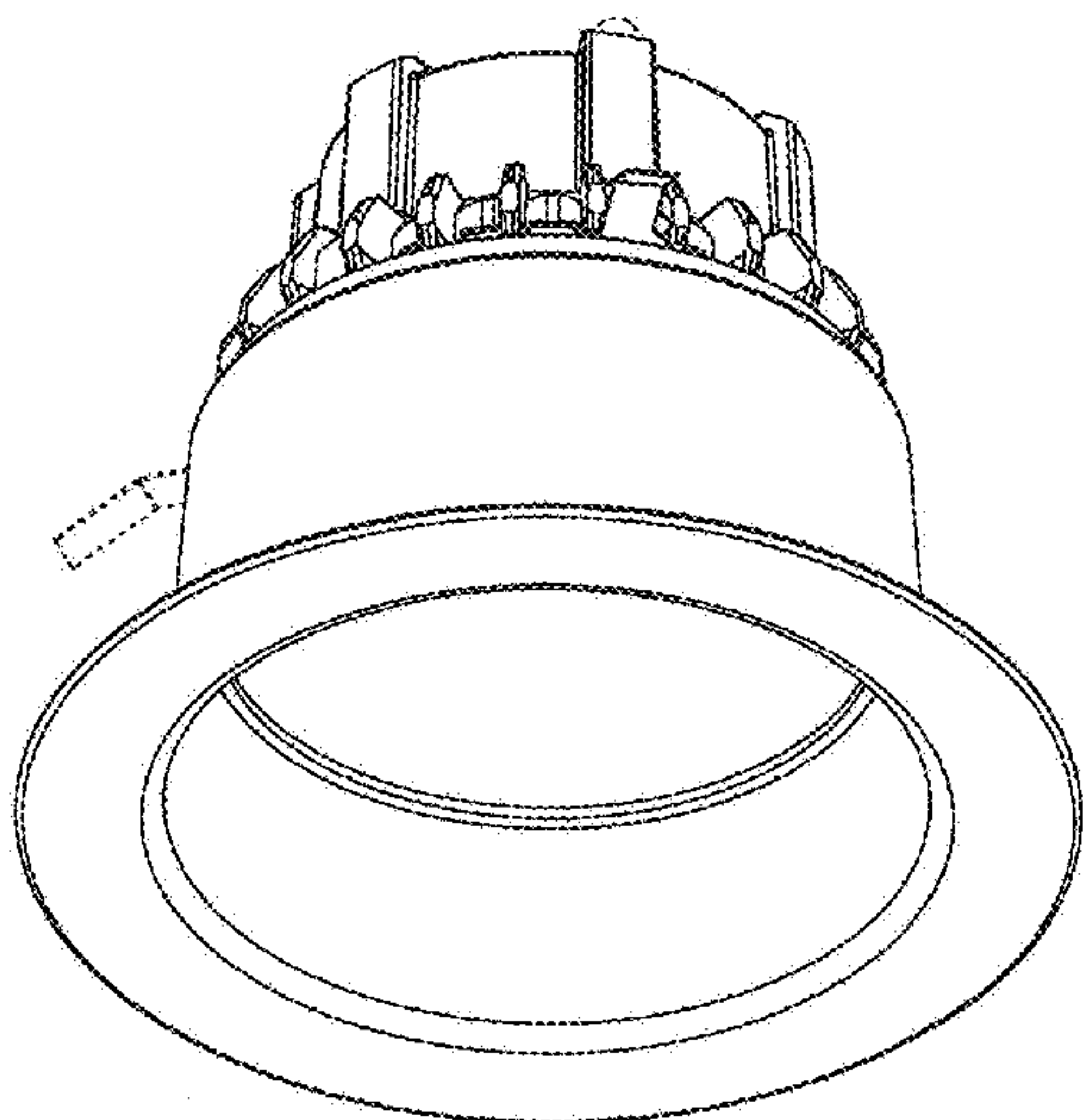
(57) **CLAIM**

The ornamental design for a light fixture, as shown and described.

**DESCRIPTION**

FIG. 1 is a front isometric view of a light fixture according to a first embodiment of the design;  
 FIG. 2 is a rear isometric view of the light fixture of FIG. 1;  
 FIG. 3 is a front view of the light fixture of FIG. 1;  
 FIG. 4 is a rear view of the light fixture of FIG. 1;  
 FIG. 5 is a first side view of the light fixture of FIG. 1;  
 FIG. 6 is a second side view of the light fixture of FIG. 1;  
 FIG. 7 is a third side view of the light fixture of FIG. 1;  
 FIG. 8 is a fourth side view of the light fixture of FIG. 1;  
 FIG. 9 is a front isometric view of a light fixture according to a second embodiment of the design;  
 FIG. 10 is a rear isometric view of the light fixture of FIG. 9;  
 FIG. 11 is a front view of the light fixture of FIG. 9;  
 FIG. 12 is a rear view of the light fixture of FIG. 9;  
 FIG. 13 is a first side view of the light fixture of FIG. 9;  
 FIG. 14 is a second side view of the light fixture of FIG. 9;  
 FIG. 15 is a third side view of the light fixture of FIG. 9; and,  
 FIG. 16 is a fourth side view of the light fixture of FIG. 9.  
 The broken lines in the drawings are for illustrative purposes only, and do not form part of the claimed design.

**1 Claim, 8 Drawing Sheets**



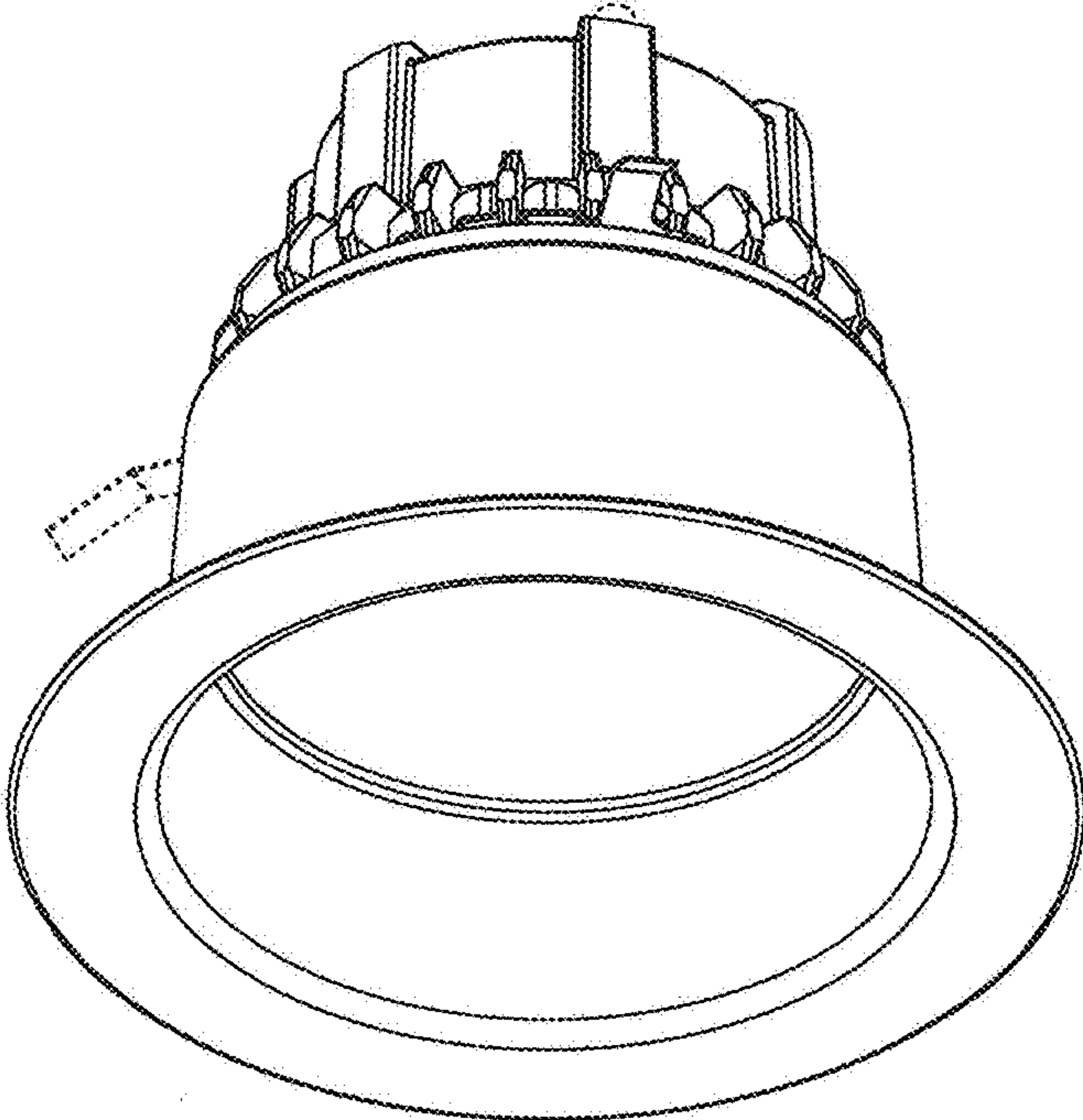


FIG. 1

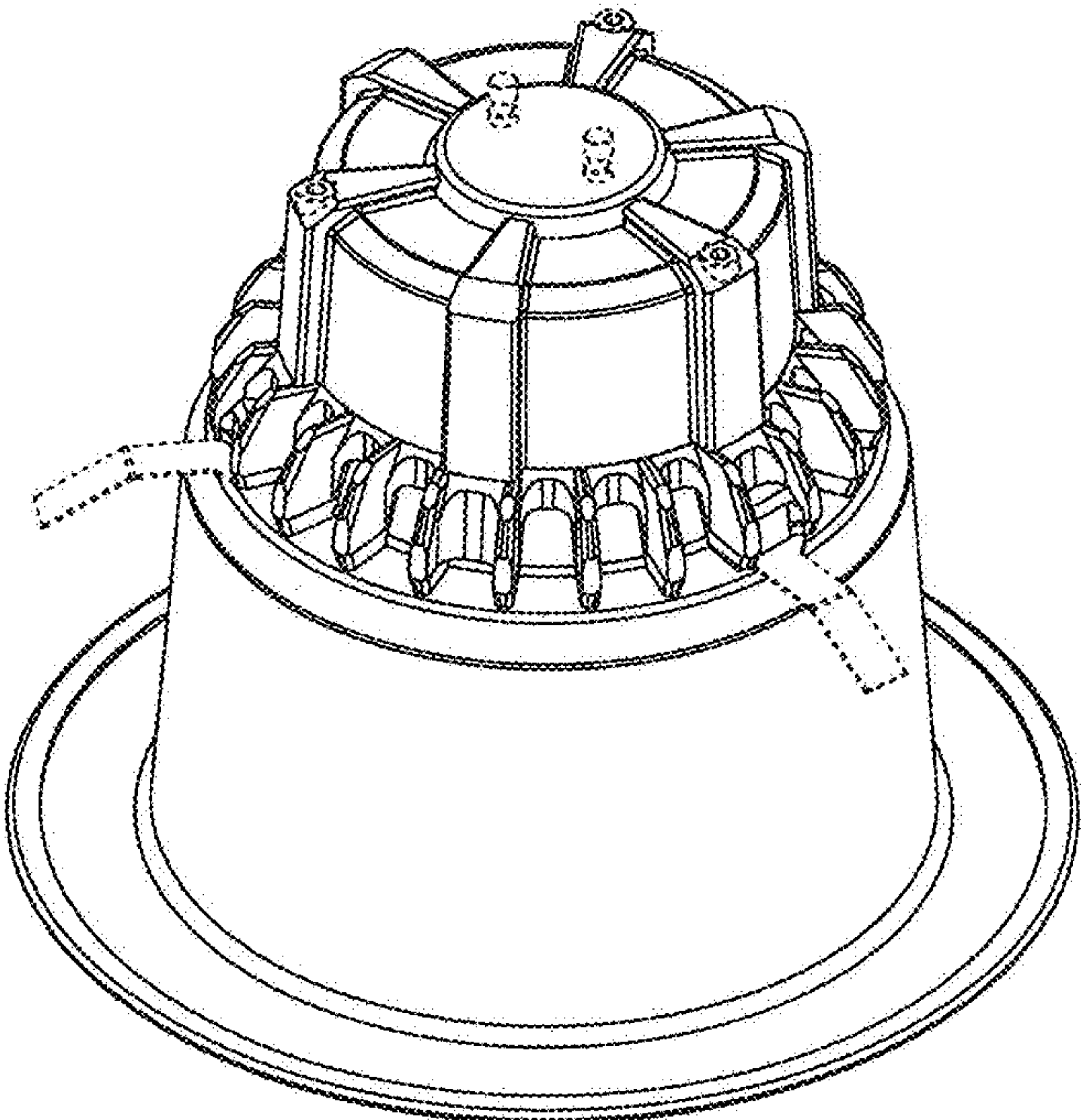


FIG. 2



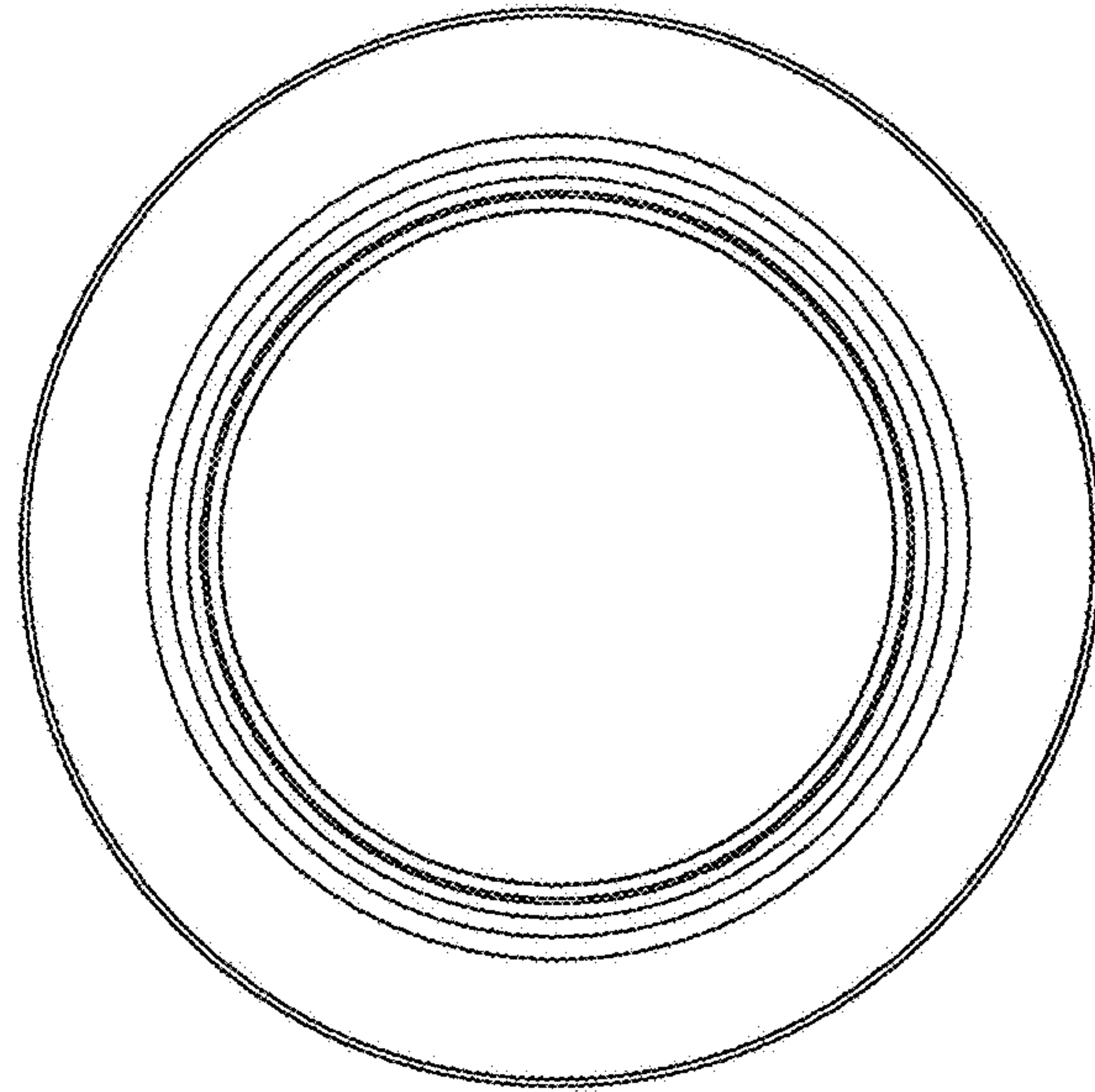


FIG. 3

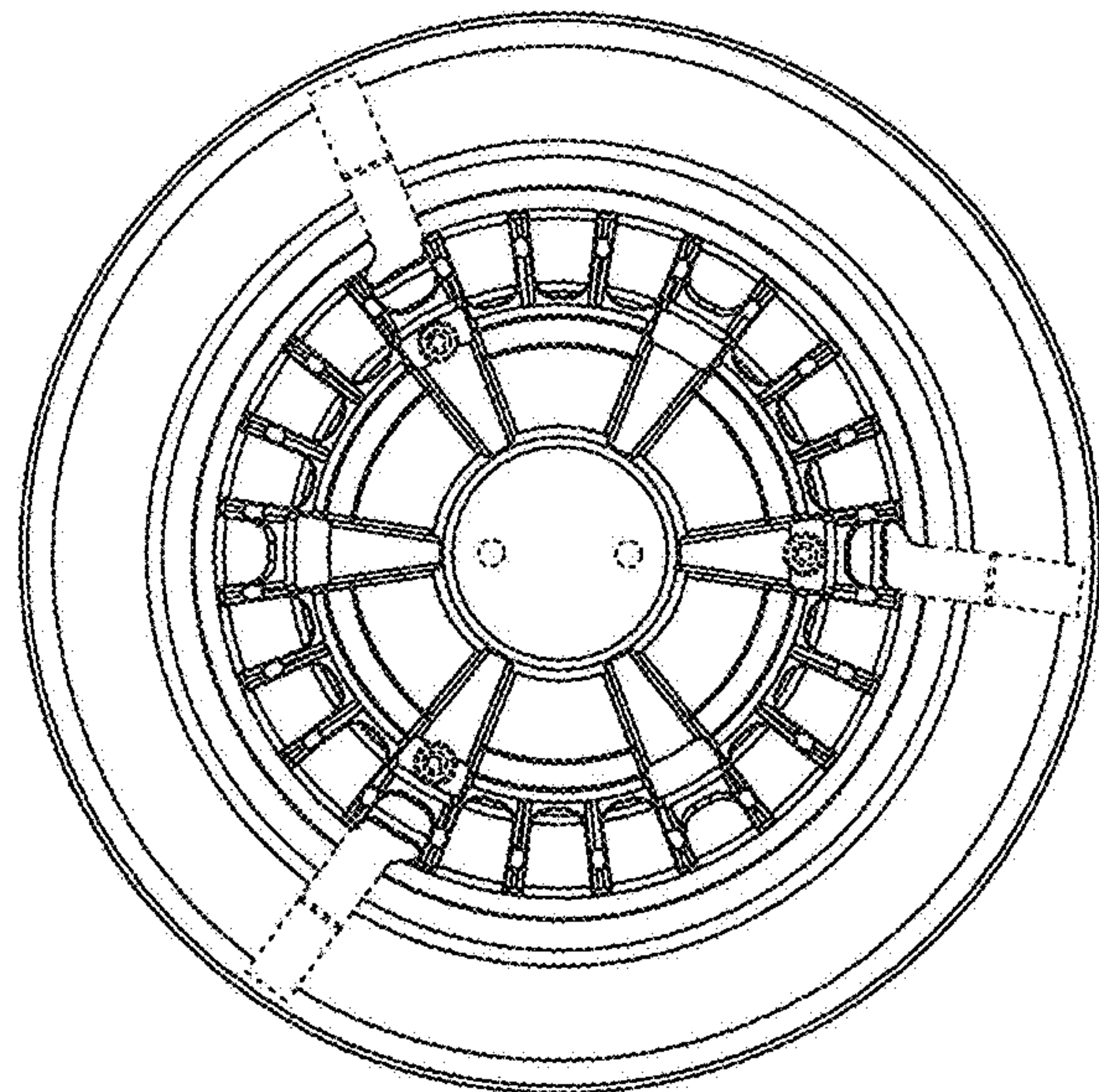


FIG. 4

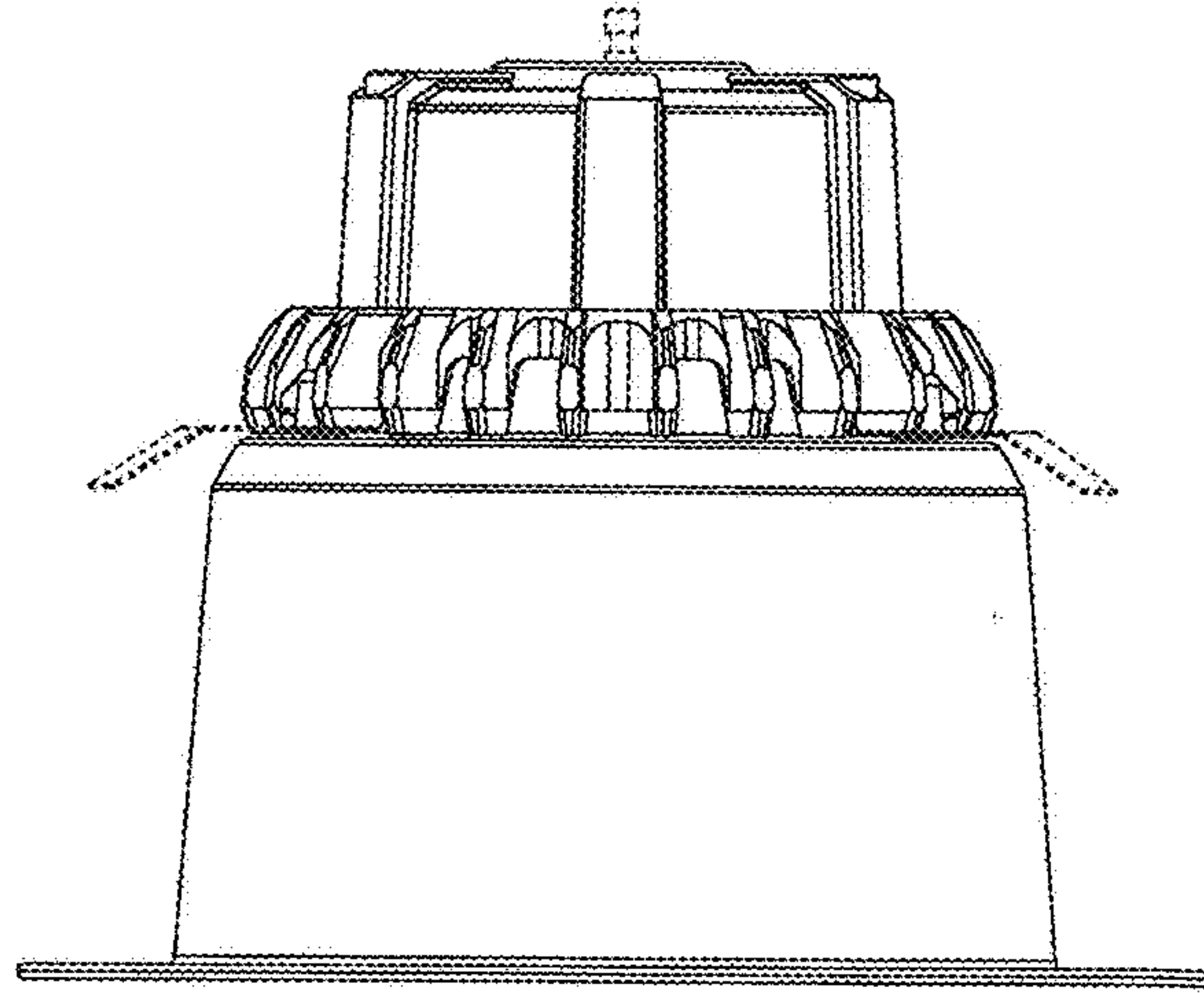


FIG. 5

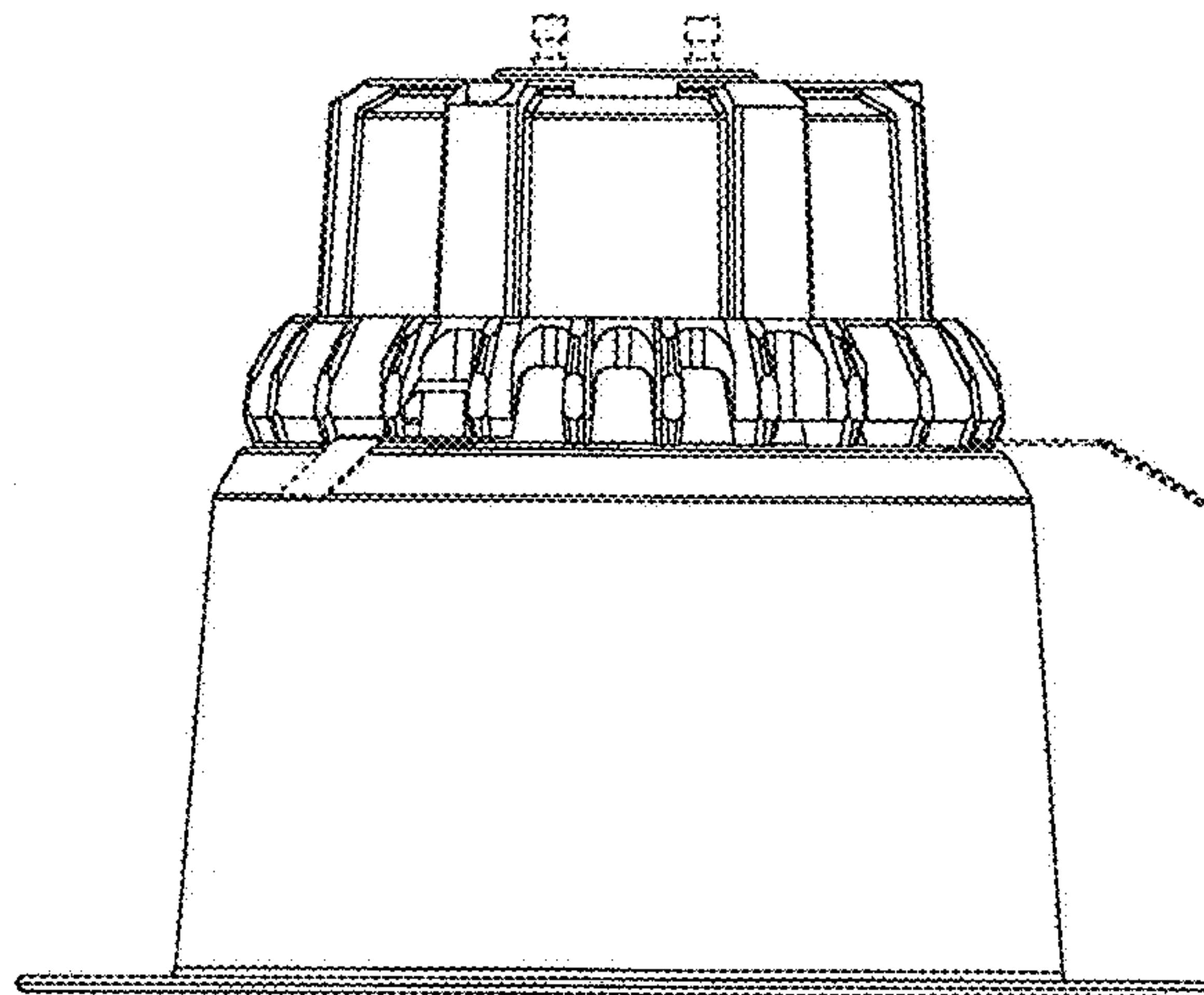


FIG. 6

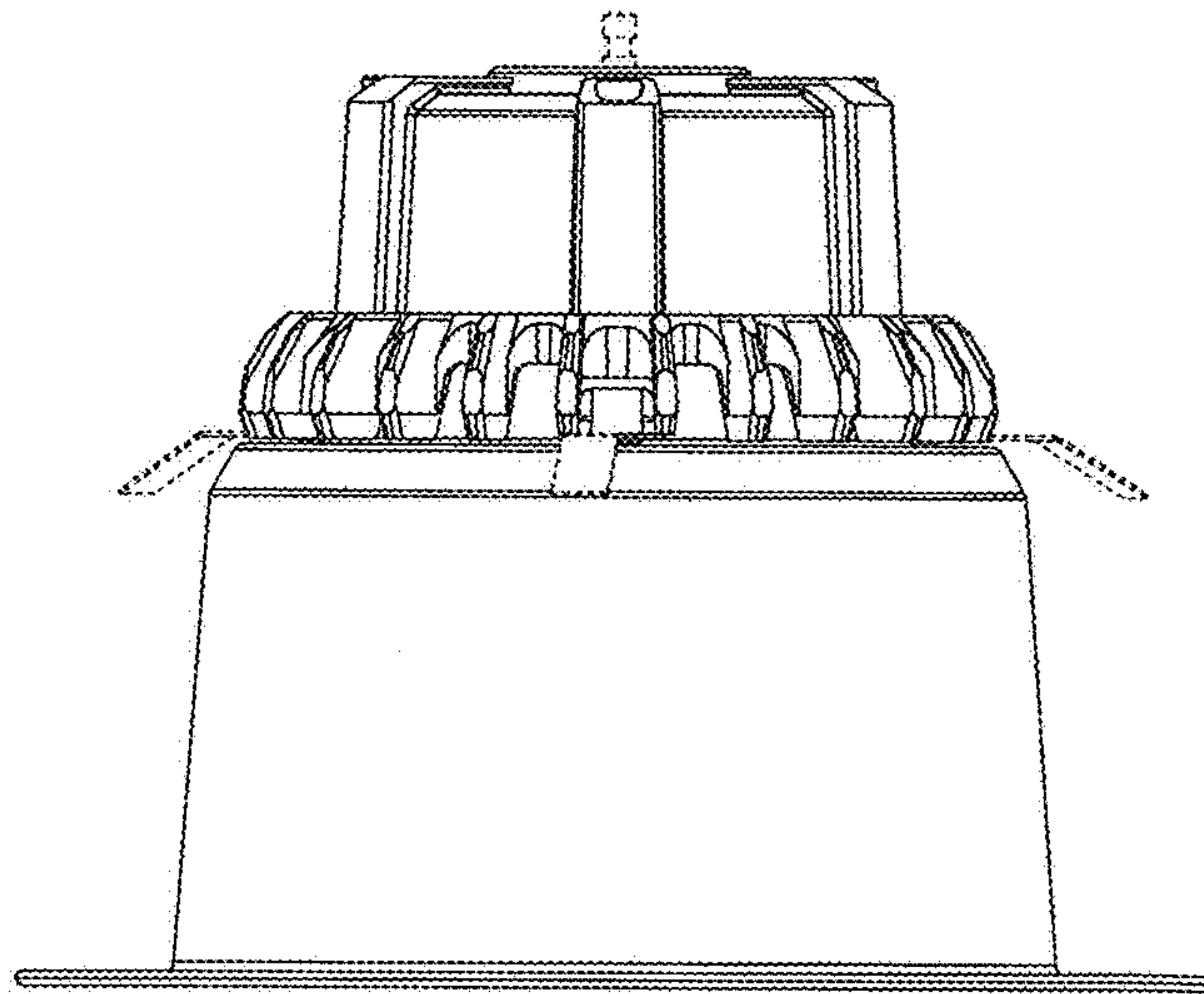


FIG. 7

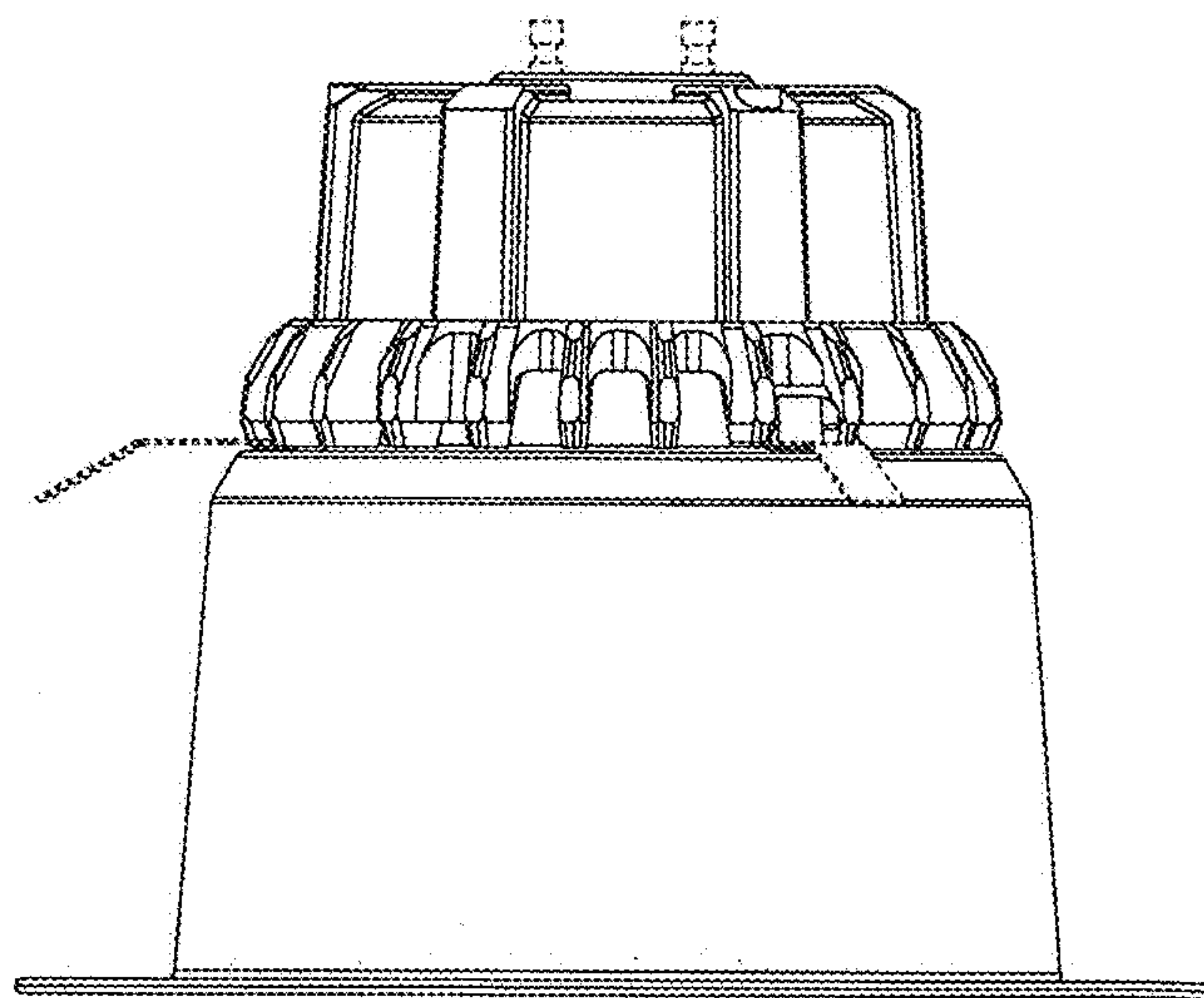


FIG. 8

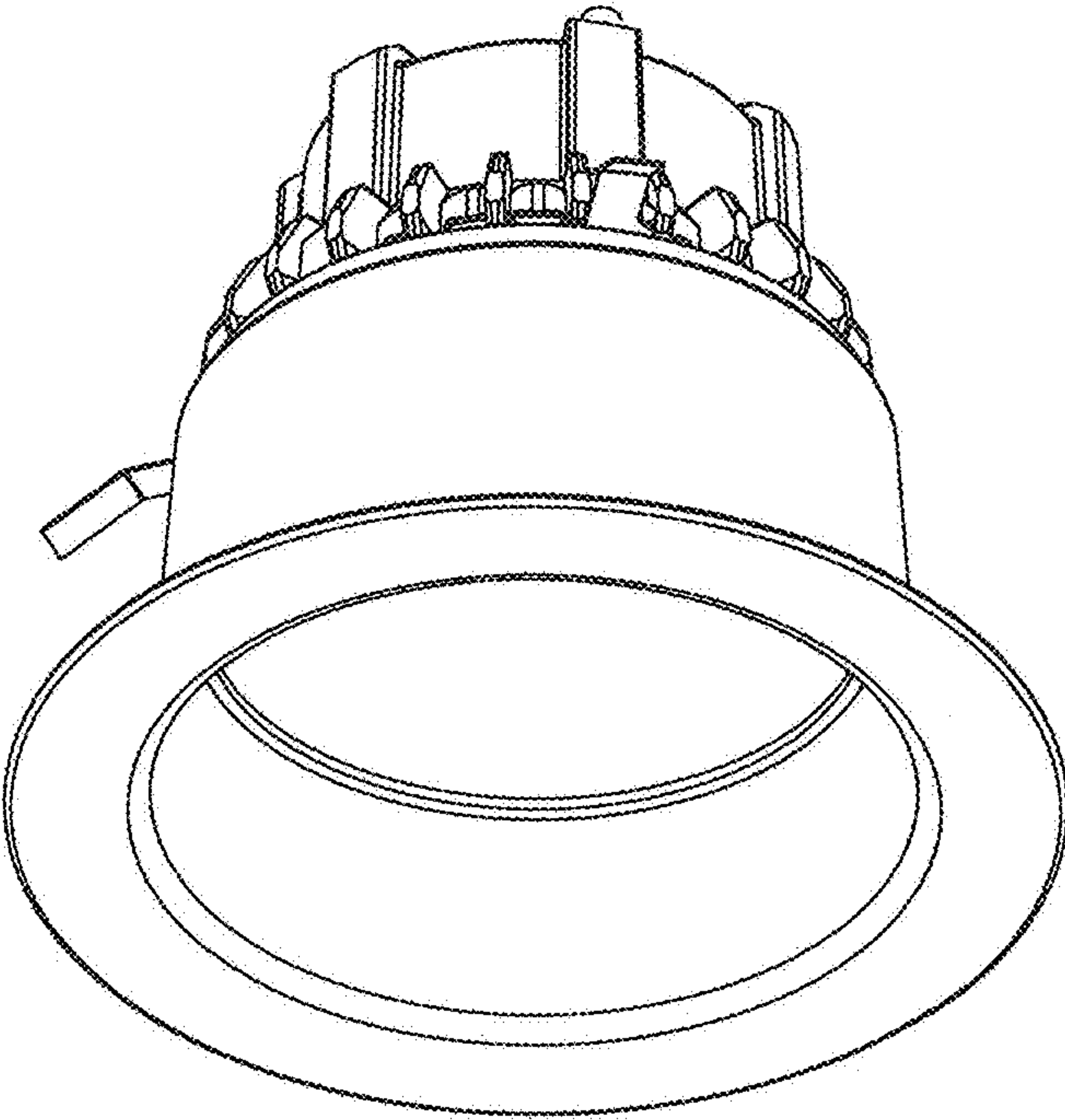


FIG. 9

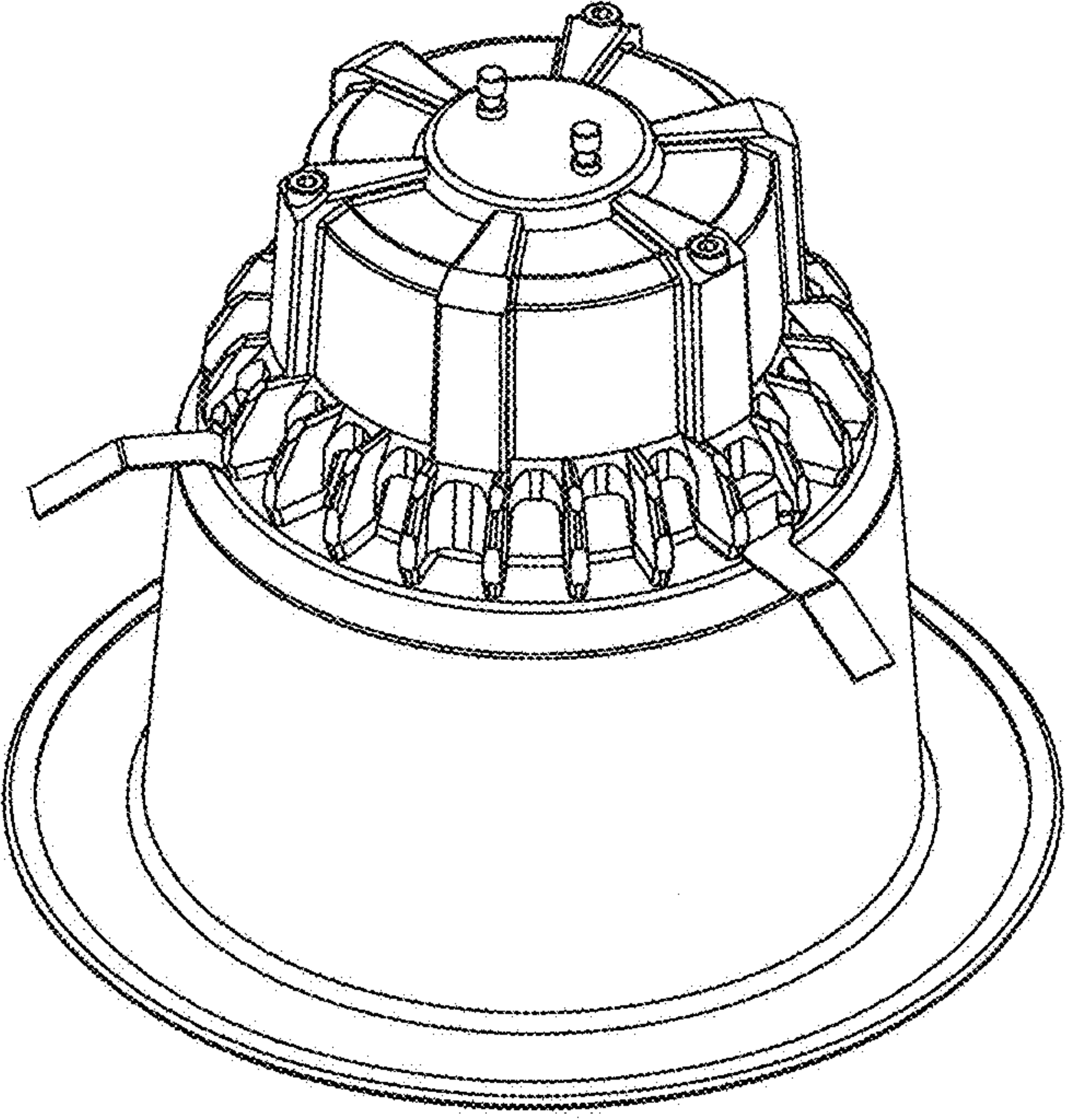


FIG. 10



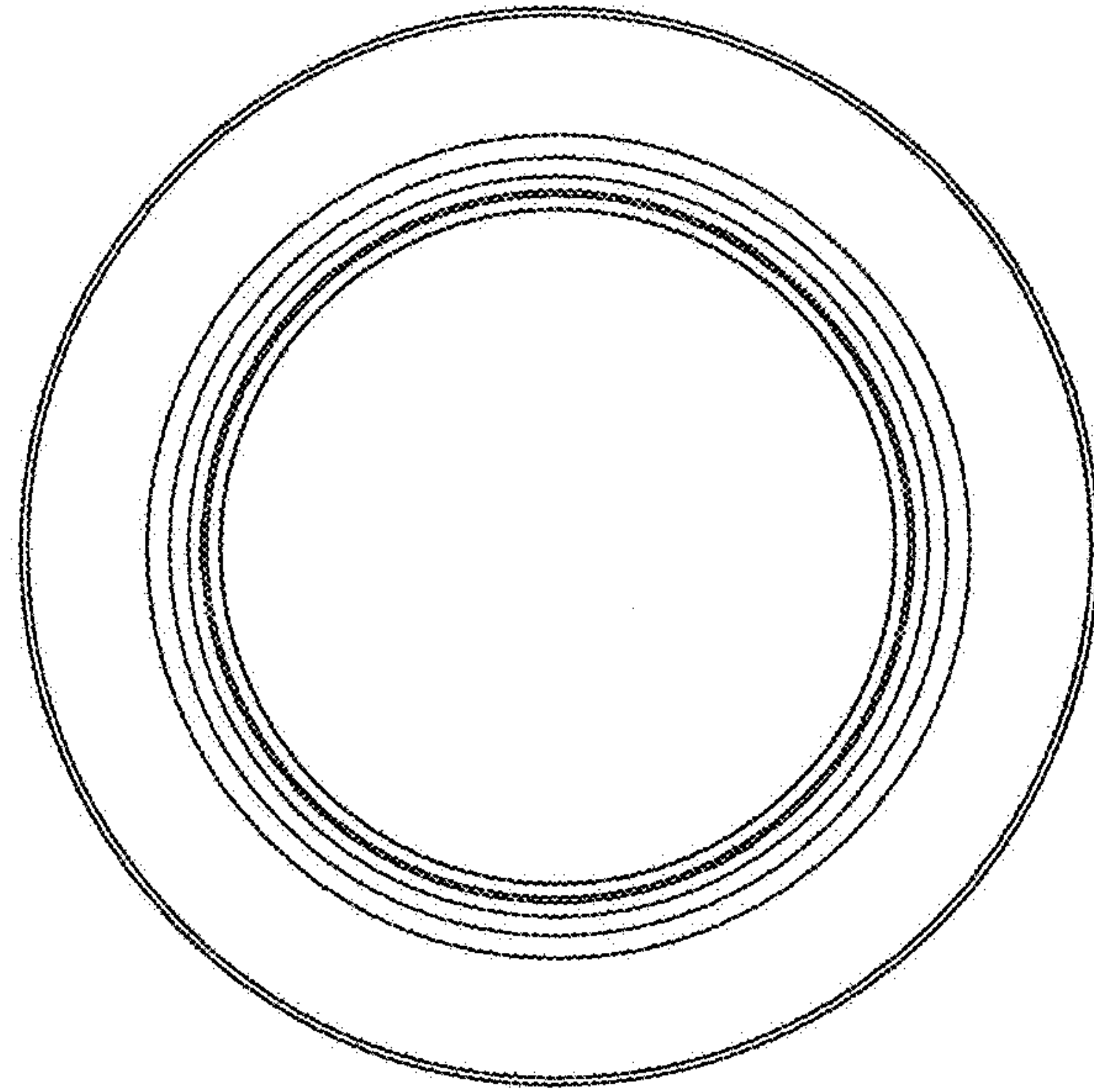


FIG. 11

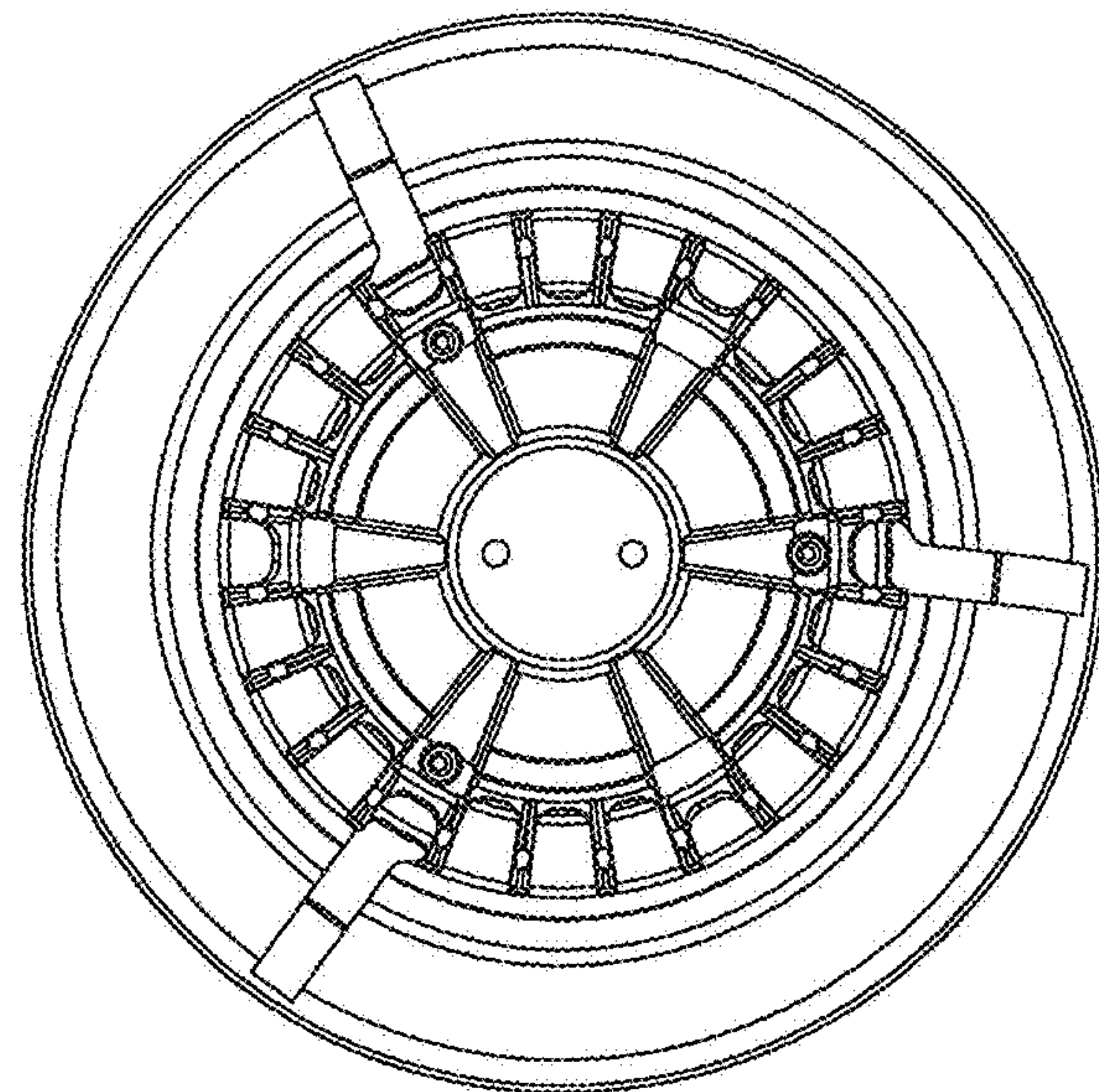


FIG. 12

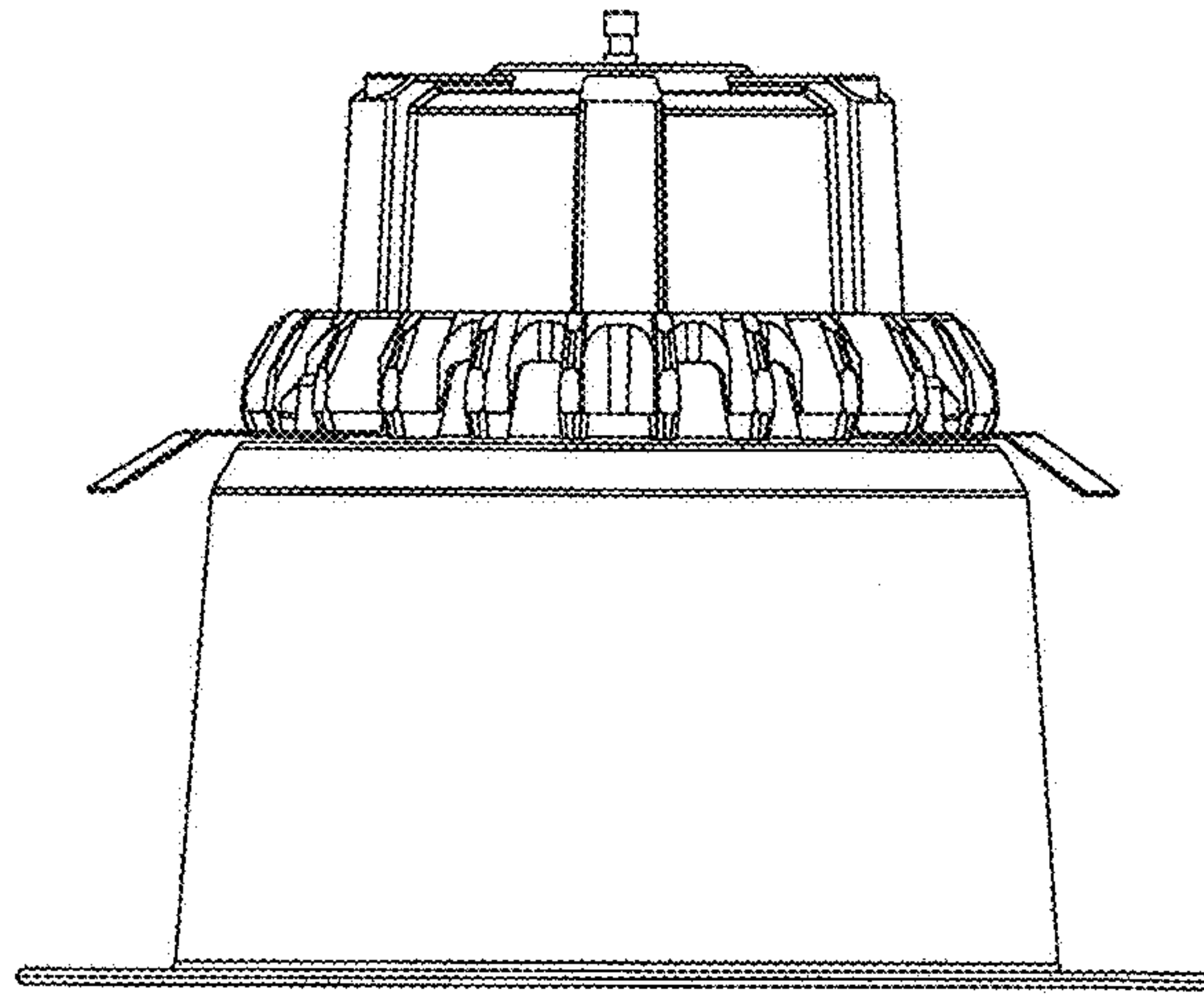


FIG. 13

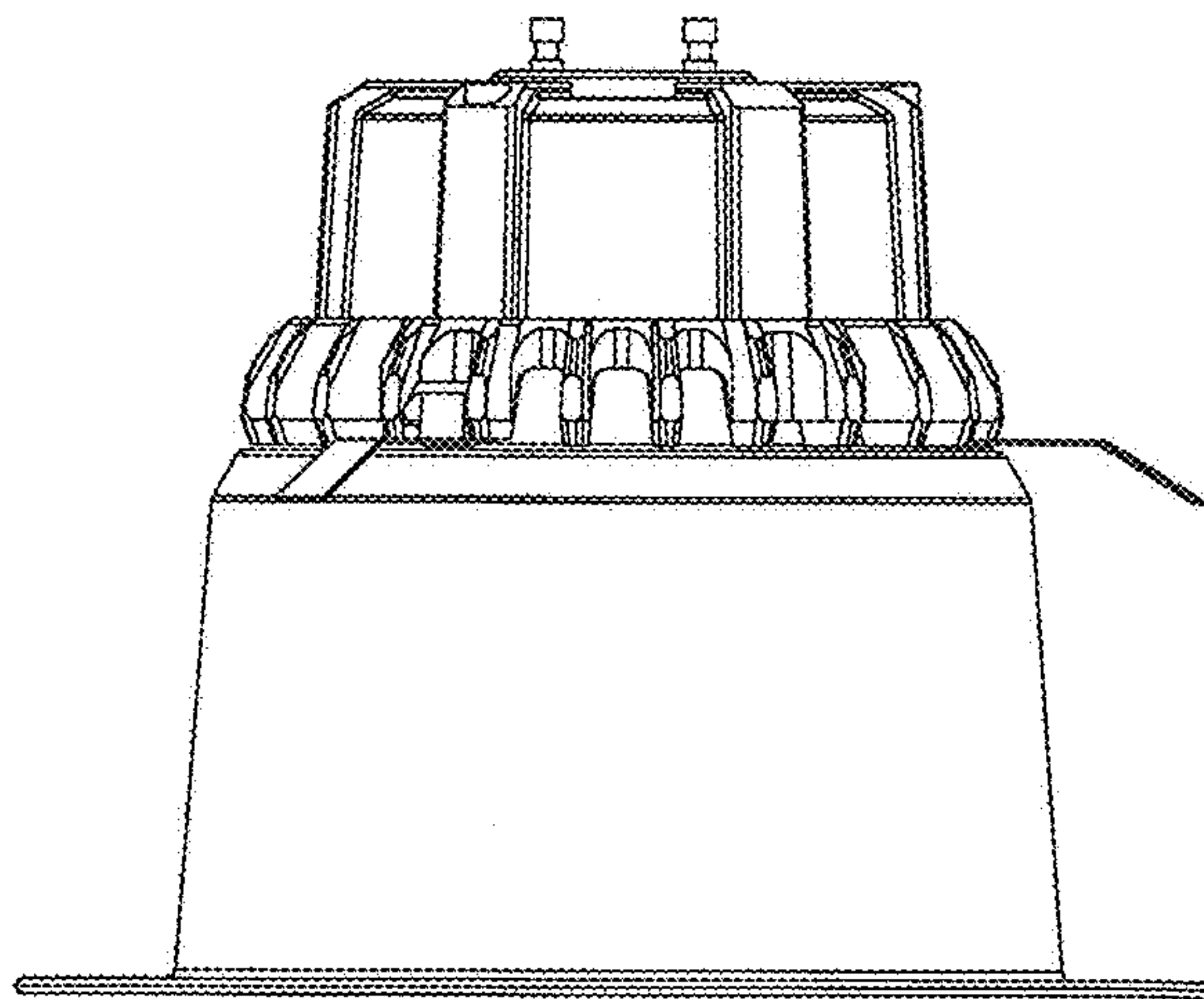


FIG. 14



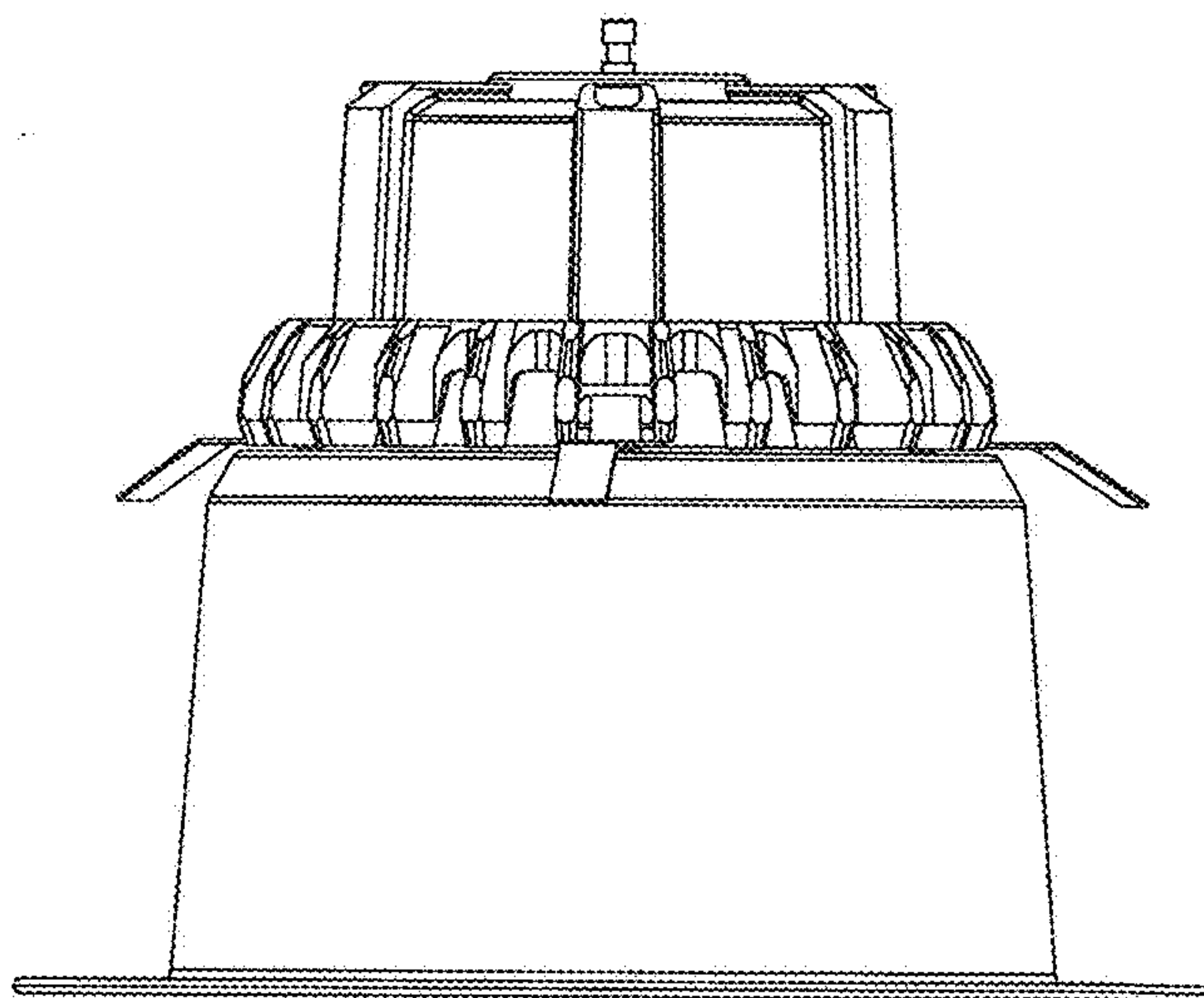


FIG. 15

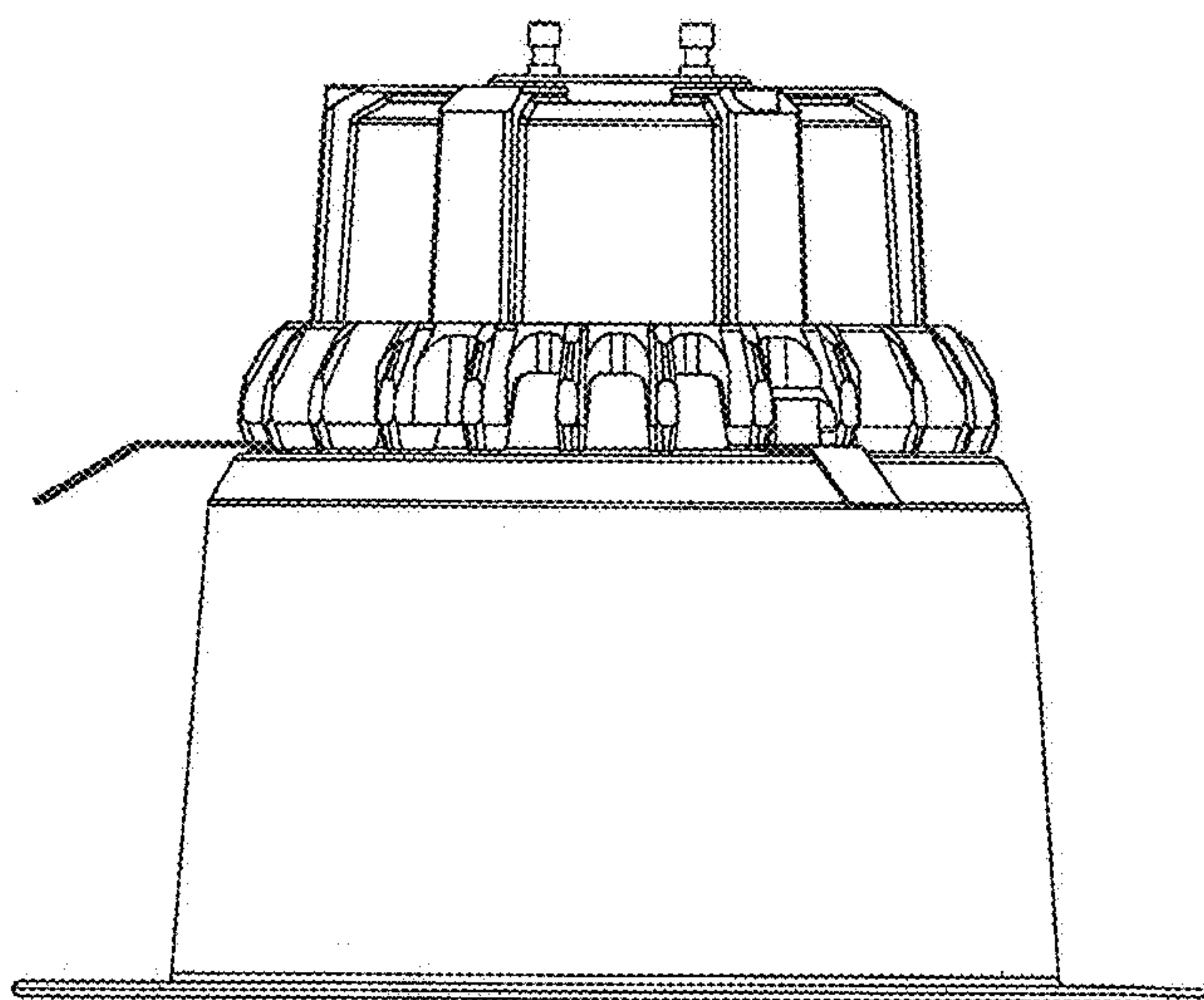


FIG. 16