

US00D700386S

(12) **United States Design Patent**
Burke

(10) **Patent No.:** **US D700,386 S**

(45) **Date of Patent:** **** Feb. 25, 2014**

(54) **TRANSPARENT LAMP FIXTURE AND ILLUMINATION MODULE**

(71) Applicant: **David William Burke**, Bay City, MI (US)

(72) Inventor: **David William Burke**, Bay City, MI (US)

(**) Term: **14 Years**

(21) Appl. No.: **29/433,592**

(22) Filed: **Oct. 2, 2012**

(51) **LOC (10) Cl.** **26-05**

(52) **U.S. Cl.**
USPC **D26/67**

(58) **Field of Classification Search**
USPC D26/40, 67-70, 72, 85, 104, 118, 128, D26/135; 362/153.1, 183, 414, 431, 432
See application file for complete search history.

(56) **References Cited**

U.S. PATENT DOCUMENTS

D306,767	S	*	3/1990	Ziaylek, Jr.	D26/36
D310,268	S	*	8/1990	Shalvi	D26/67
D316,458	S	*	4/1991	Spotts et al.	D26/67
5,911,496	A	*	6/1999	Hojnacki	362/131
D444,253	S	*	6/2001	Blanchard	D26/67
D471,307	S	*	3/2003	Yung	D26/67

D567,424	S	*	4/2008	St-Pierre et al.	D26/67
D574,104	S	*	7/2008	Sanoner	D26/67
D574,538	S	*	8/2008	Sanoner	D26/67
7,476,006	B2	*	1/2009	Hinds	362/286
D590,086	S	*	4/2009	Laporta	D26/67
D616,129	S	*	5/2010	Sanoner	D26/67
D624,227	S	*	9/2010	Grant	D26/67
D652,975	S	*	1/2012	Harshaw	D26/67
D676,995	S	*	2/2013	Ho et al.	D26/67
2003/0137831	A1	*	7/2003	Lin	362/183
2003/0156405	A1	*	8/2003	Kim	362/153.1
2006/0187656	A1	*	8/2006	Kuelbs et al.	362/183
2007/0121317	A1	*	5/2007	Huang et al.	362/183

* cited by examiner

Primary Examiner — Clare E Heflin

(74) *Attorney, Agent, or Firm* — Robert L. Farris; Farris Law, P.C.

(57) **CLAIM**

The ornamental design for a transparent lamp fixture and illumination module, as shown and described.

DESCRIPTION

FIG. 1 is a perspective view of the transparent lamp fixture and illumination module with a solar collector, and a flat bottom anchor surface, showing the new design;

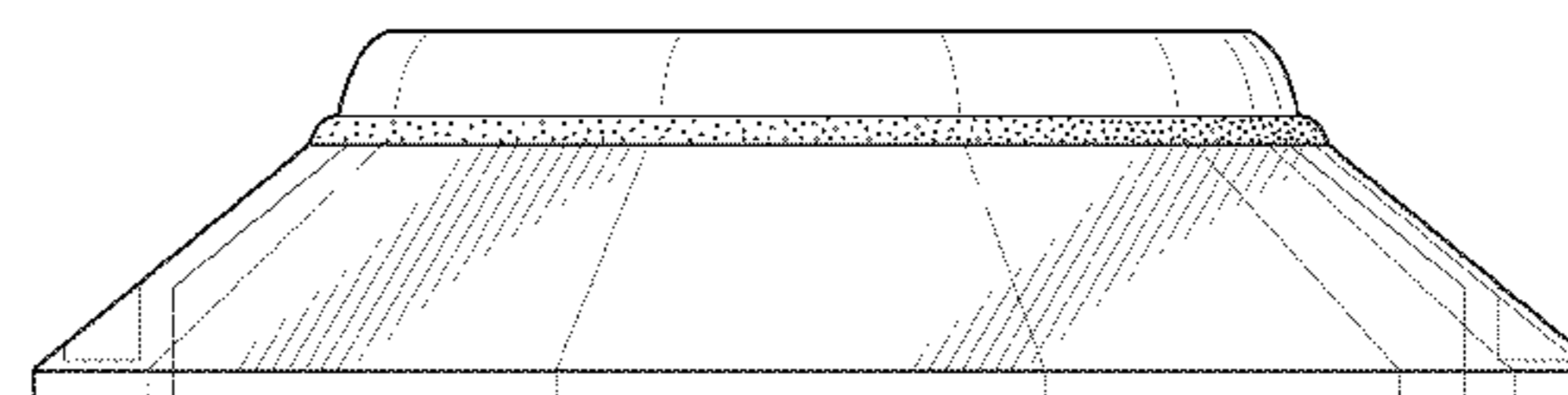
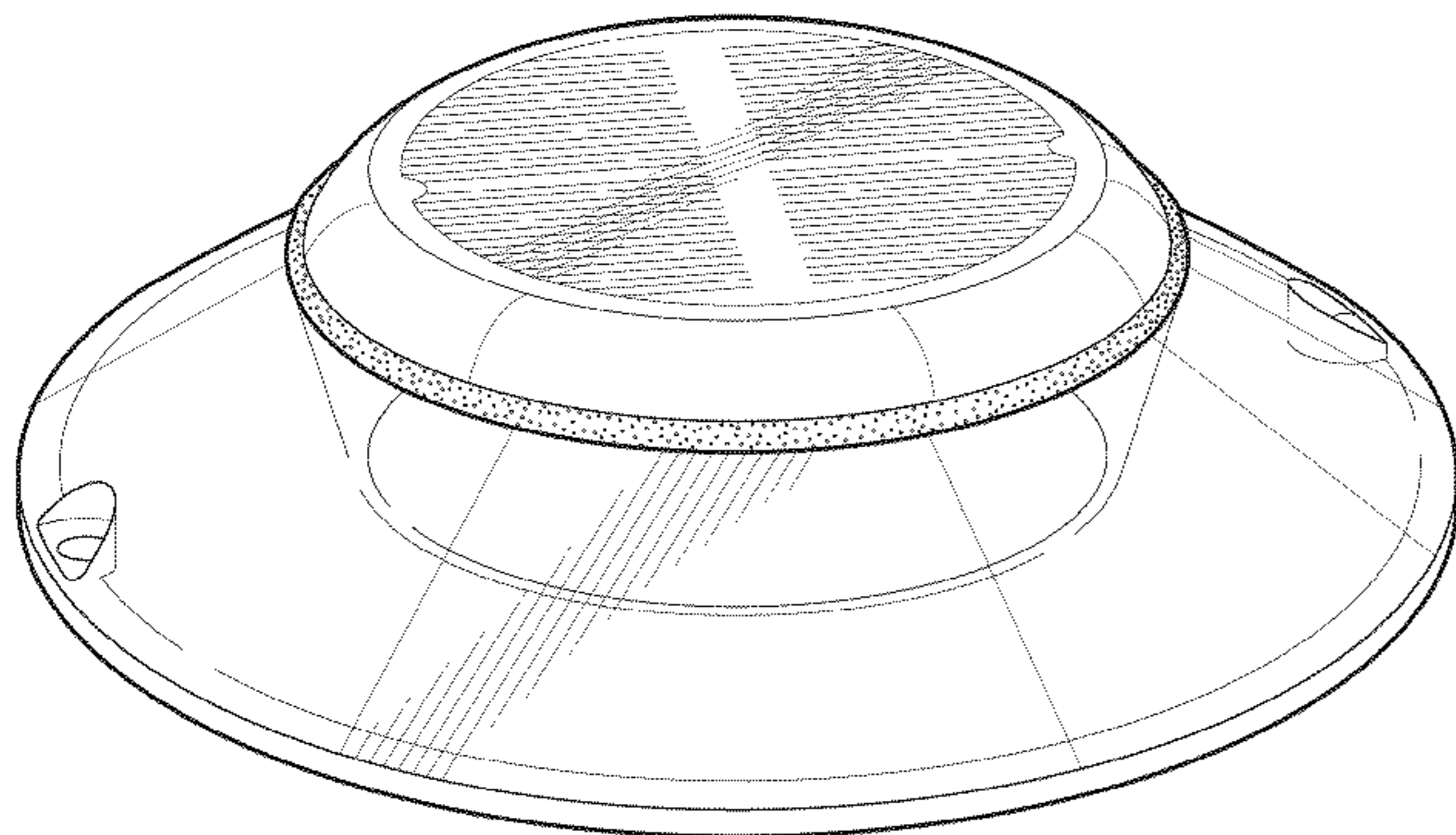
FIG. 2 is a top plan view thereof;

FIG. 3 is a front elevational view thereof;

FIG. 4 is a bottom plan view thereof; and,

FIG. 5 is a side elevational view thereof.

1 Claim, 2 Drawing Sheets



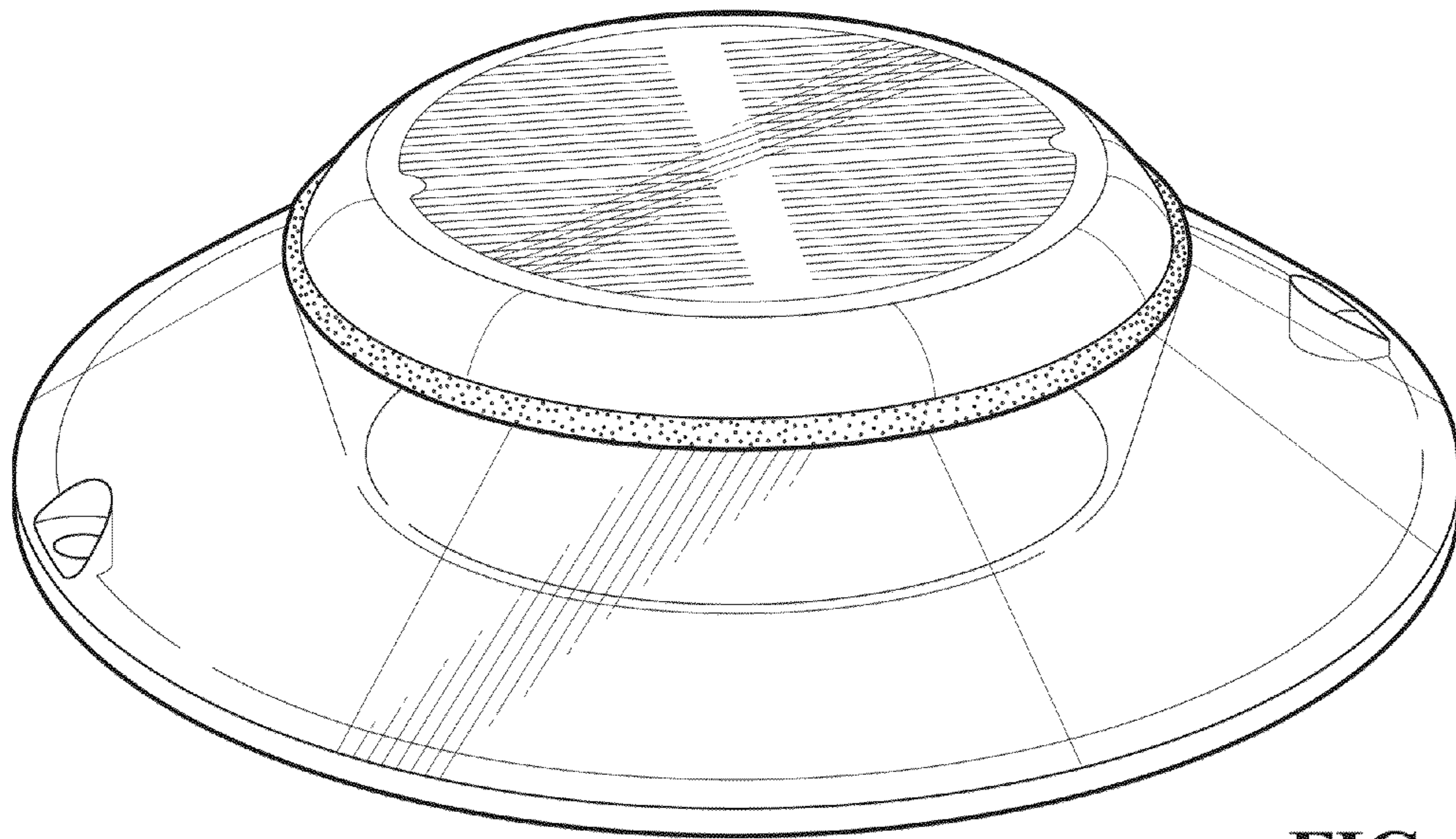


FIG. 1

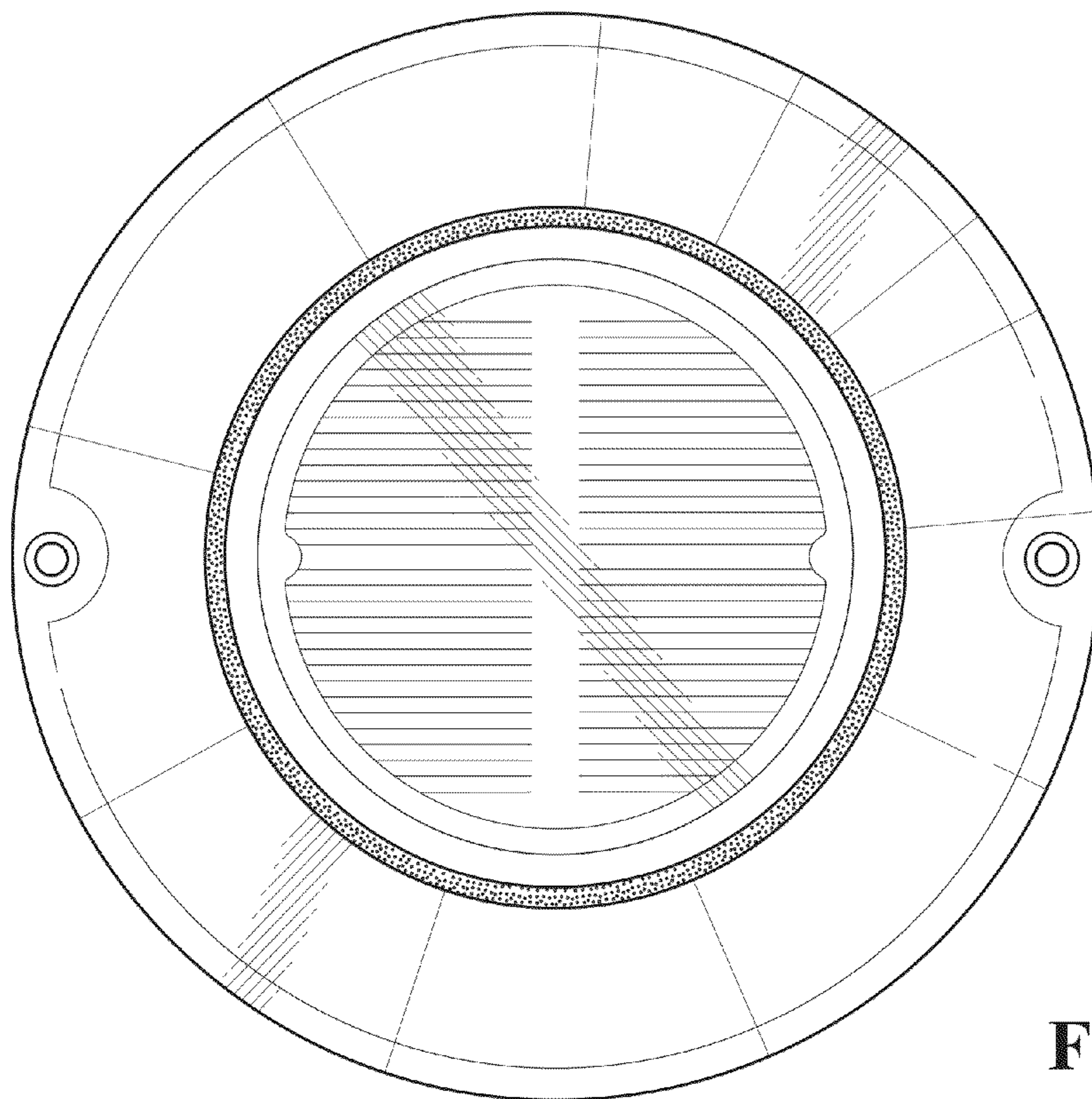


FIG. 2

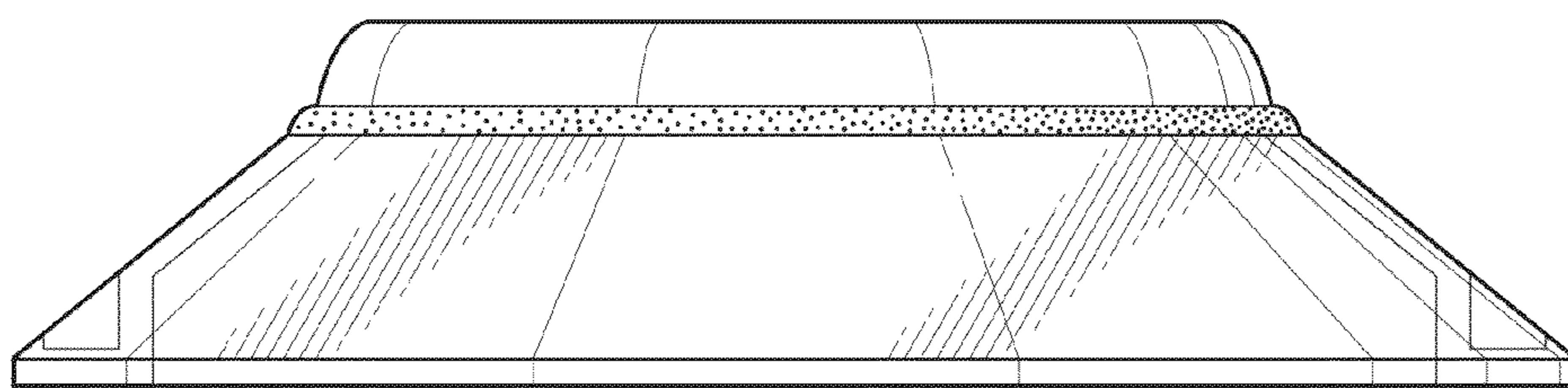


FIG. 3

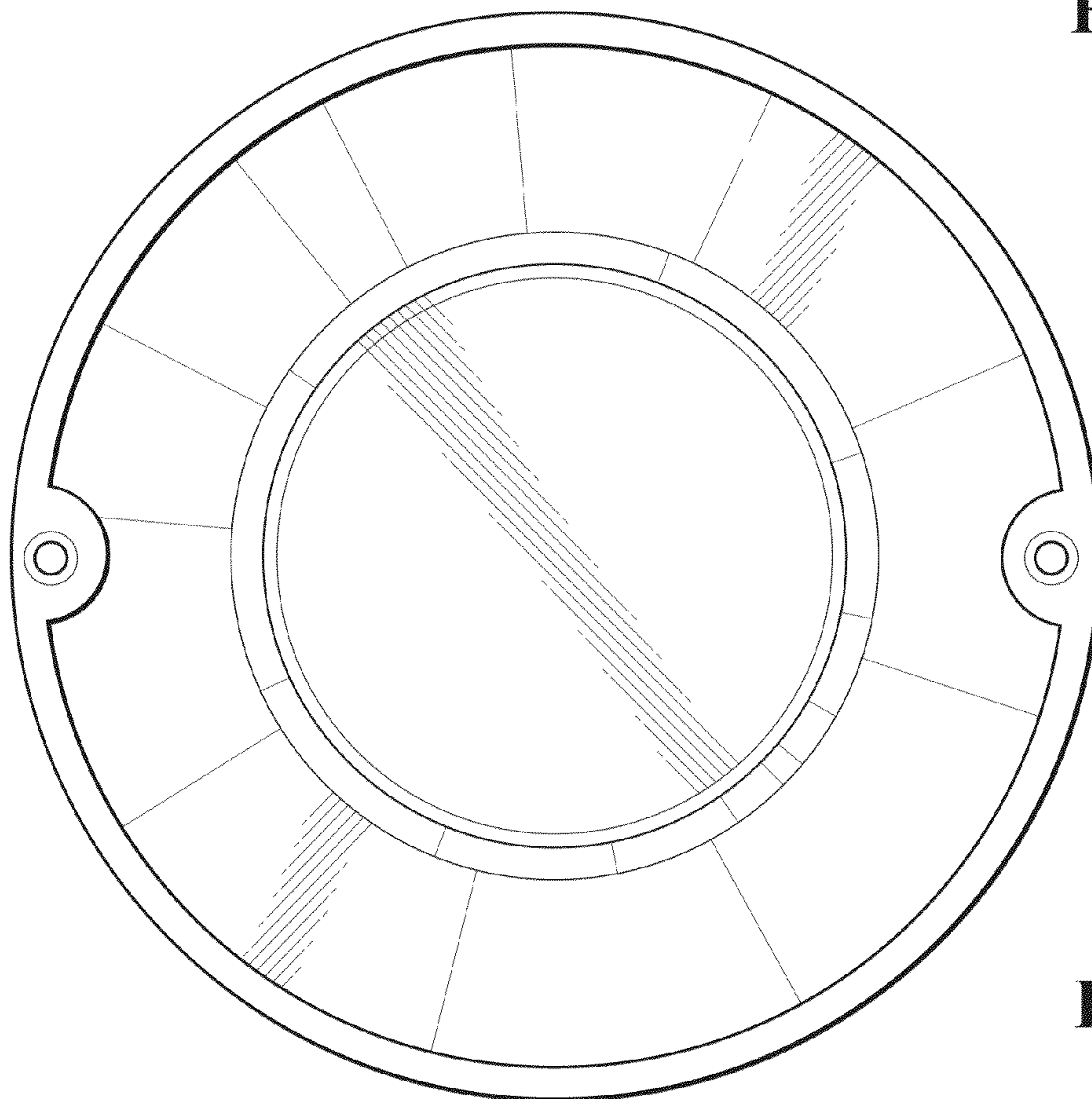


FIG. 4

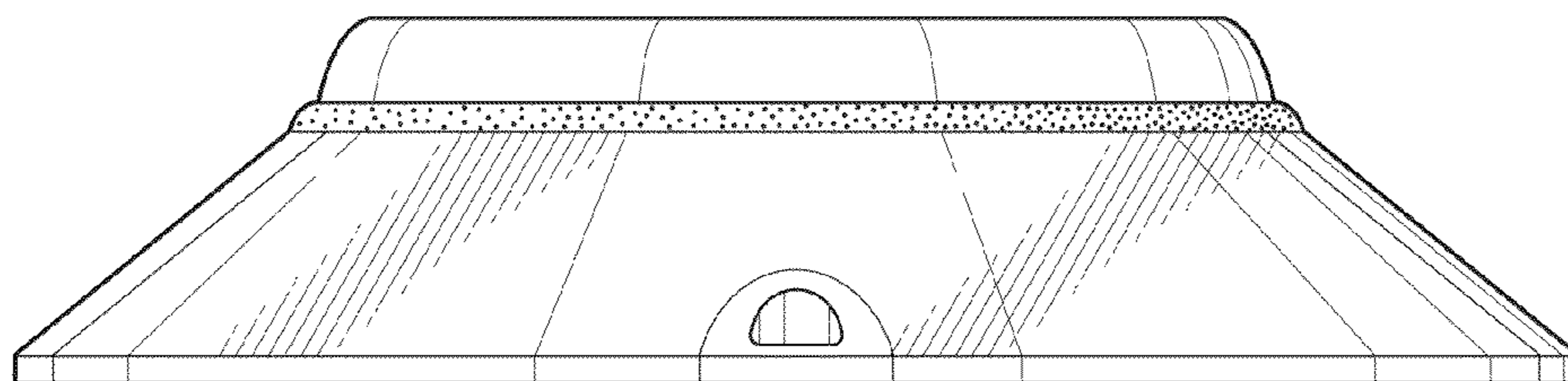


FIG. 5