



US00D700385S

(12) **United States Design Patent**
Quadri

(10) **Patent No.:** **US D700,385 S**

(45) **Date of Patent:** **** Feb. 25, 2014**

(54) **STAGE LIGHTING**

(71) Applicant: **Clay Paky S.p.A.**, Seriate (IT)

(72) Inventor: **Pasquale Quadri**, Torre de' Roveri (IT)

(73) Assignee: **Clay Paky S.p.A.**, Seriate (IT)

(**) Term: **14 Years**

(21) Appl. No.: **29/432,784**

(22) Filed: **Sep. 20, 2012**

(30) **Foreign Application Priority Data**

Mar. 21, 2012 (EM) 002012294

(51) **LOC (10) Cl.** **26-03**

(52) **U.S. Cl.**
USPC **D26/63**

(58) **Field of Classification Search**
USPC D26/1, 24, 60-66, 72, 85, 92, 113,
D26/118-119; 362/89, 217.01, 220, 217.02,
362/217.1, 217.14, 217.16, 257, 268-269,
362/275, 277, 282, 285, 310, 362, 368, 370,
362/382, 404, 418, 425, 427, 432, 433, 457,
362/804

See application file for complete search history.

(56) **References Cited**

U.S. PATENT DOCUMENTS

D120,741 S * 5/1940 Naylor D26/65
D235,222 S * 5/1975 Larson D26/65

D242,945 S * 1/1977 Moore D26/65
D359,574 S * 6/1995 Bornhorst et al. D26/65
D486,259 S * 2/2004 Crawford et al. D26/51
D552,782 S * 10/2007 Korpi D26/63
D606,690 S * 12/2009 Orrom et al. D26/61
D618,377 S * 6/2010 Toft D26/93
D620,187 S * 7/2010 Quadri D26/63
D639,983 S * 6/2011 Quadri D26/61
D667,582 S * 9/2012 Toft D26/63

* cited by examiner

Primary Examiner — Brian N Vinson

(74) *Attorney, Agent, or Firm* — Leason Ellis LLP

(57) **CLAIM**

The ornamental design for stage lighting, as shown and described.

DESCRIPTION

FIG. 1 is a front and side perspective view of stage lighting showing my new design;
FIG. 2 is a front elevation view thereof;
FIG. 3 is a right side elevation view thereof;
FIG. 4 is a left side elevation view thereof;
FIG. 5 is a rear elevation view thereof;
FIG. 6 is a top plan view thereof; and,
FIG. 7 is a bottom plan view thereof.
The broken lines shown in various figures are for illustrative purposes only and form no part of the claimed design.

1 Claim, 7 Drawing Sheets

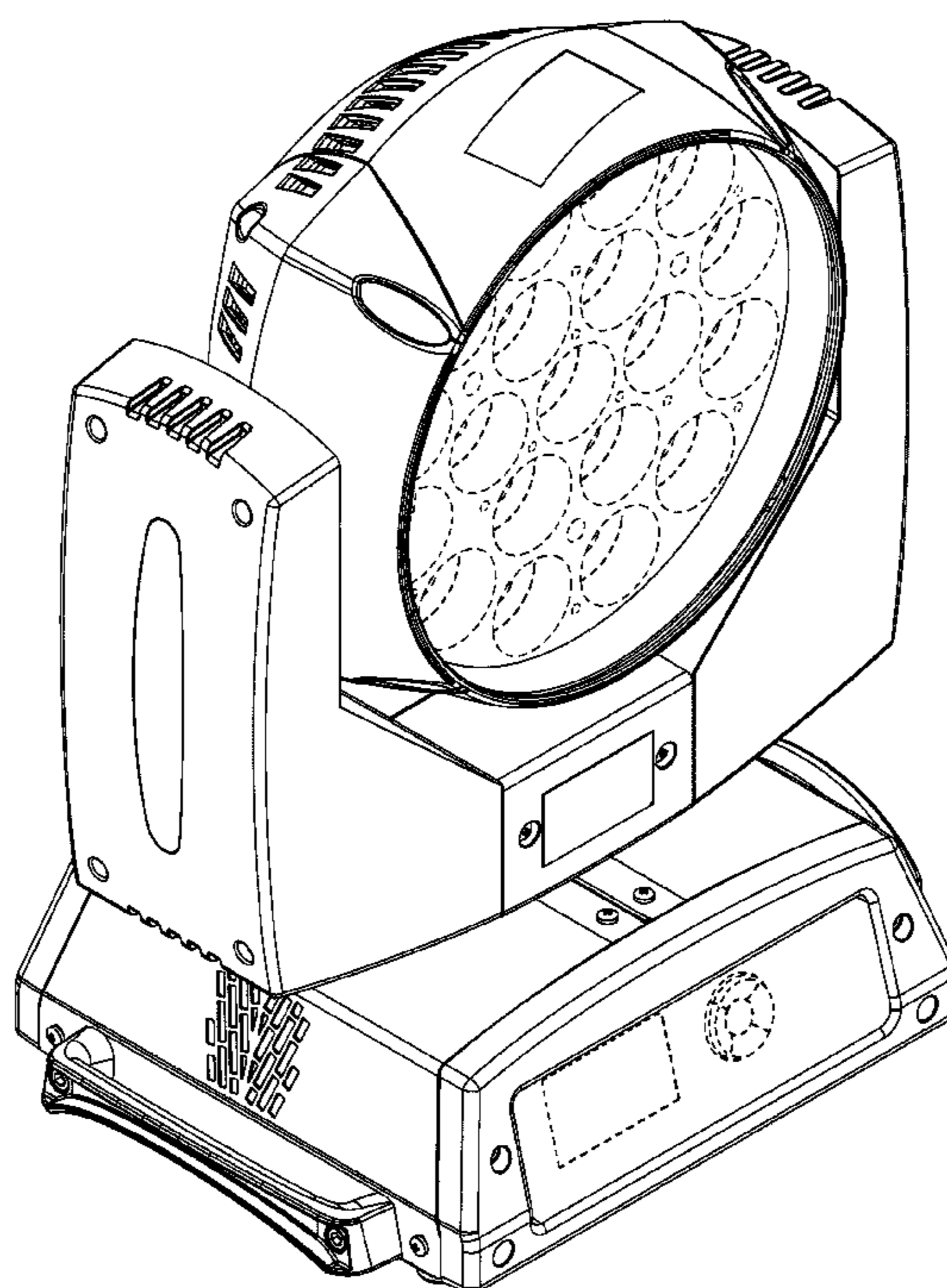


Fig. 1

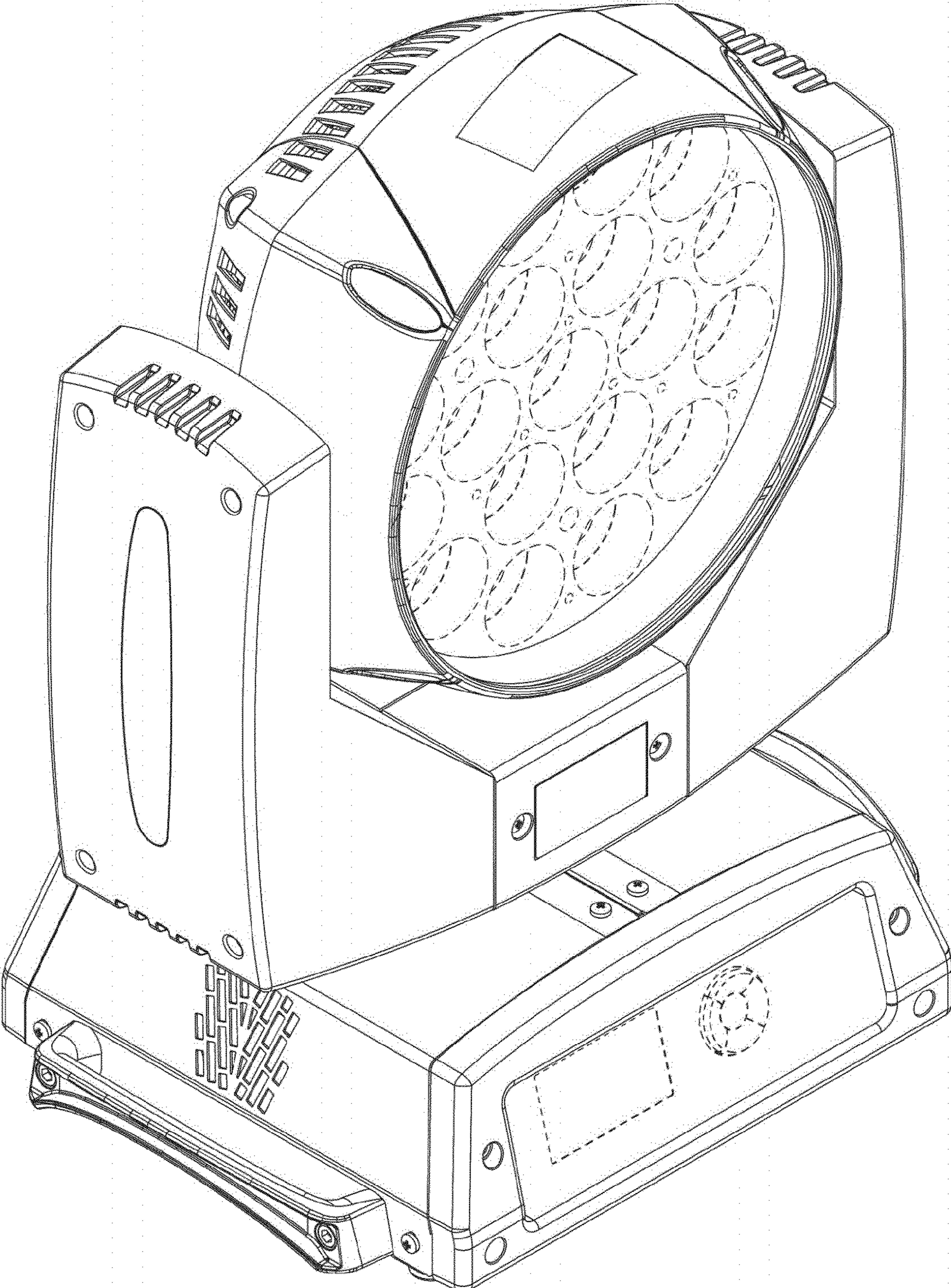


Fig. 2

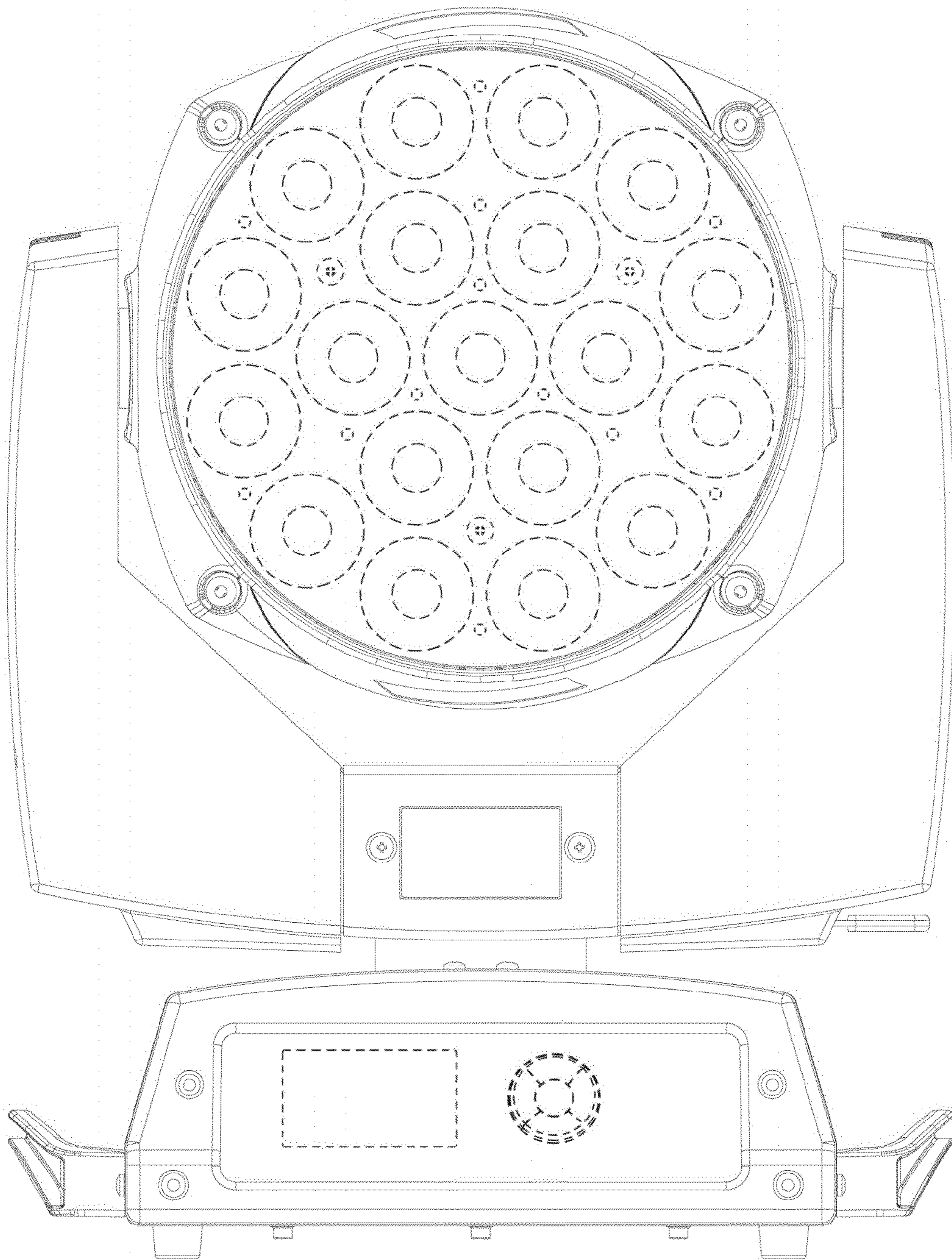


Fig. 3

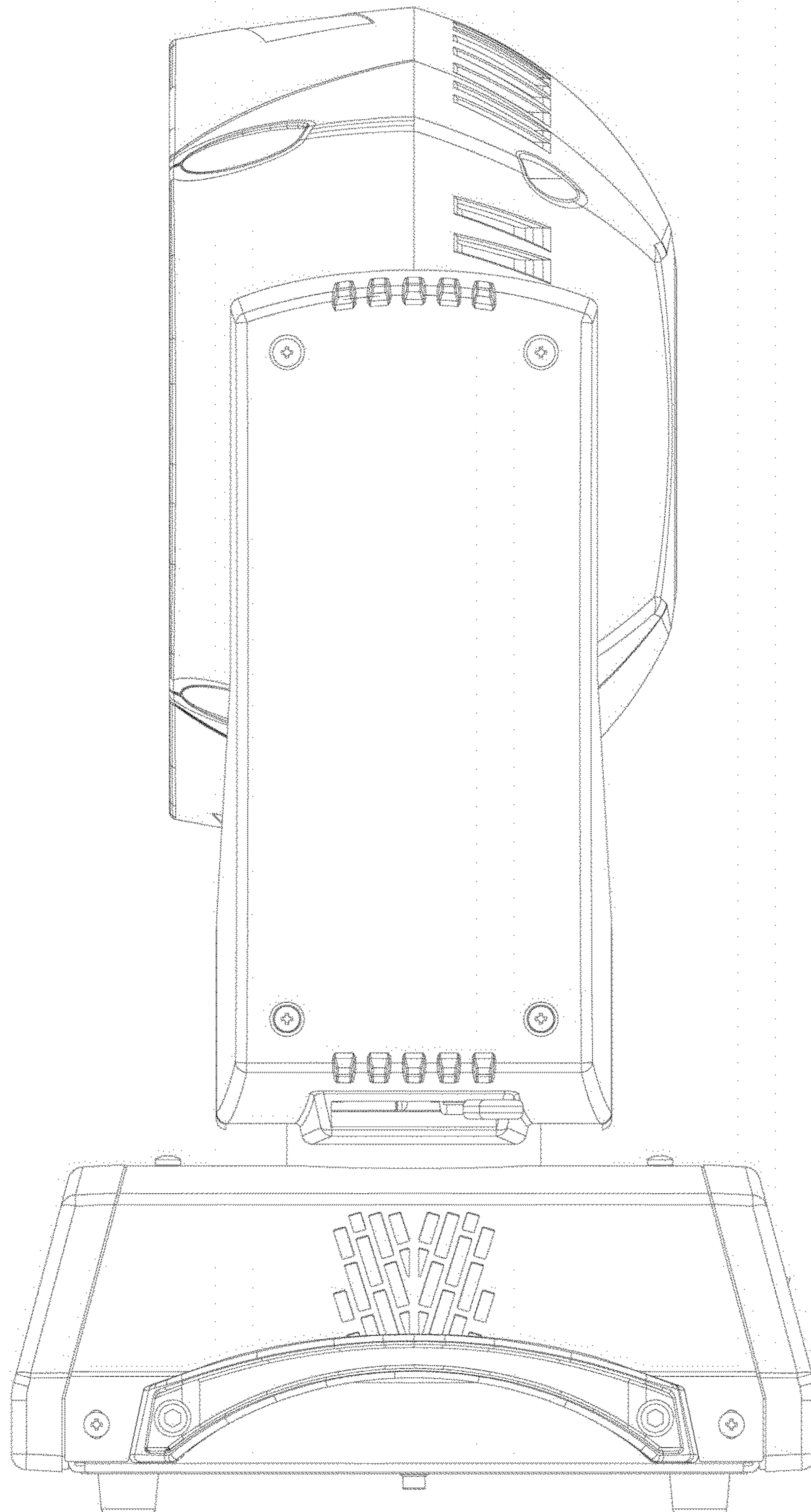


Fig. 4

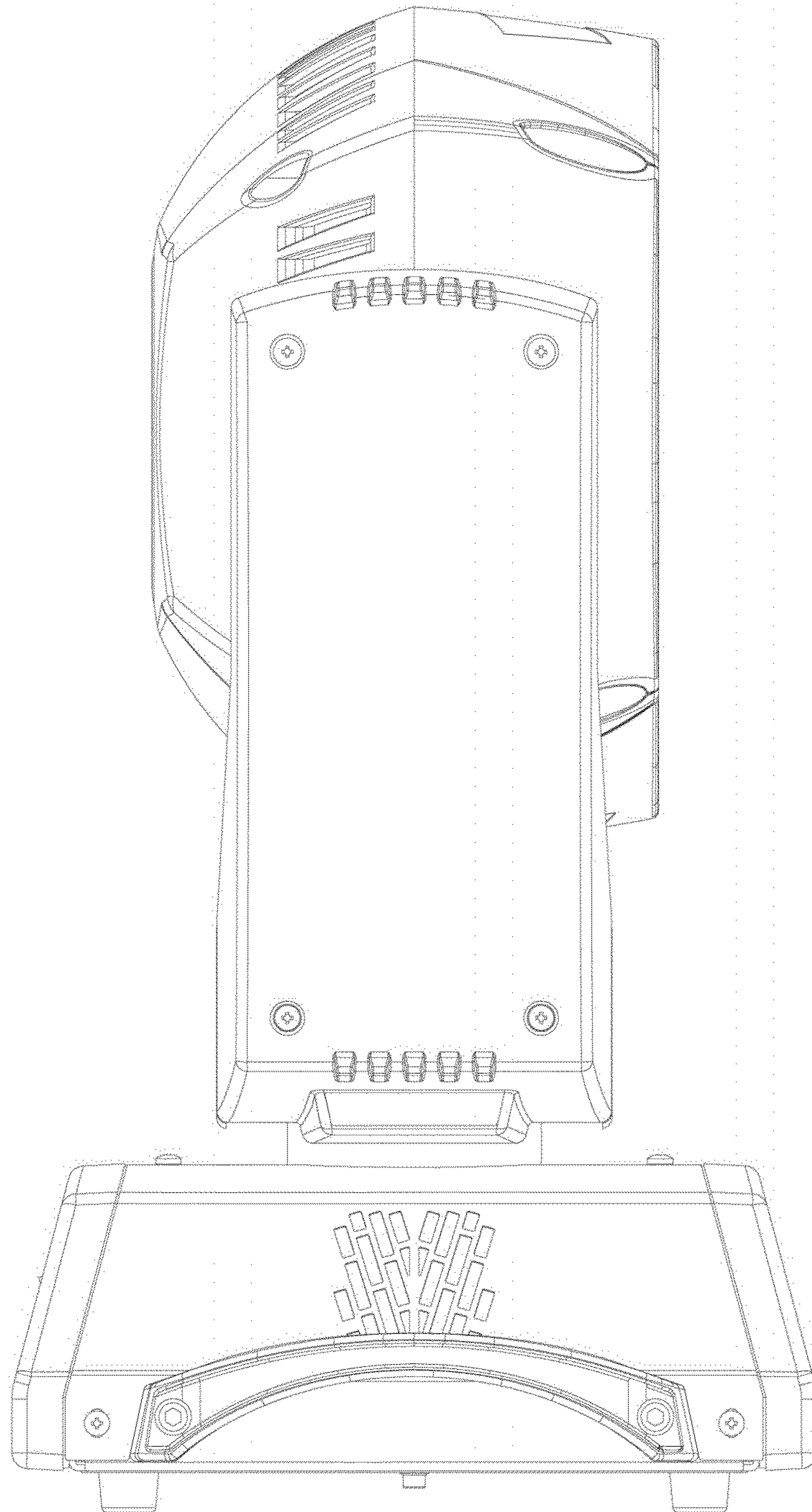


Fig. 5

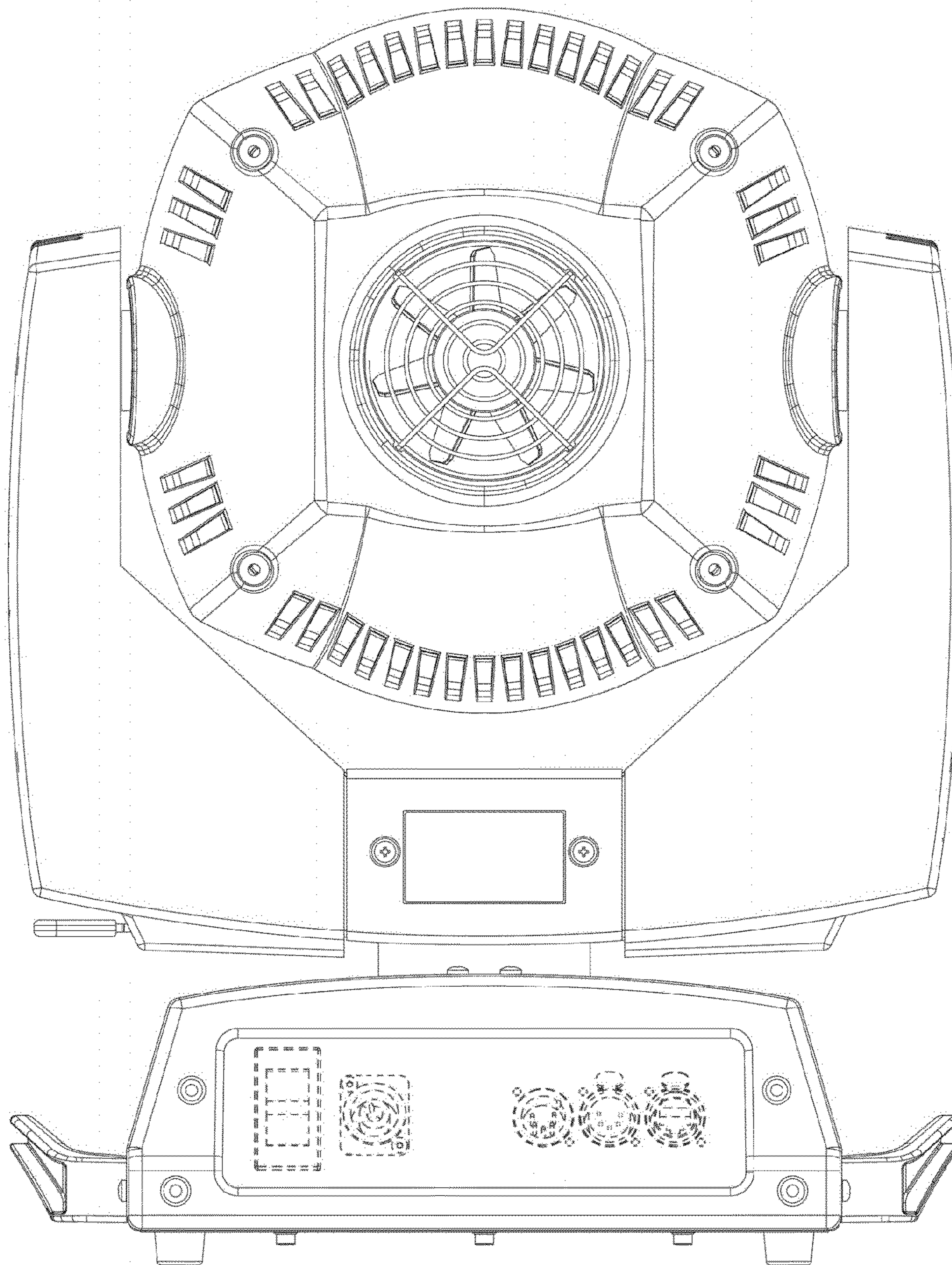


Fig. 6

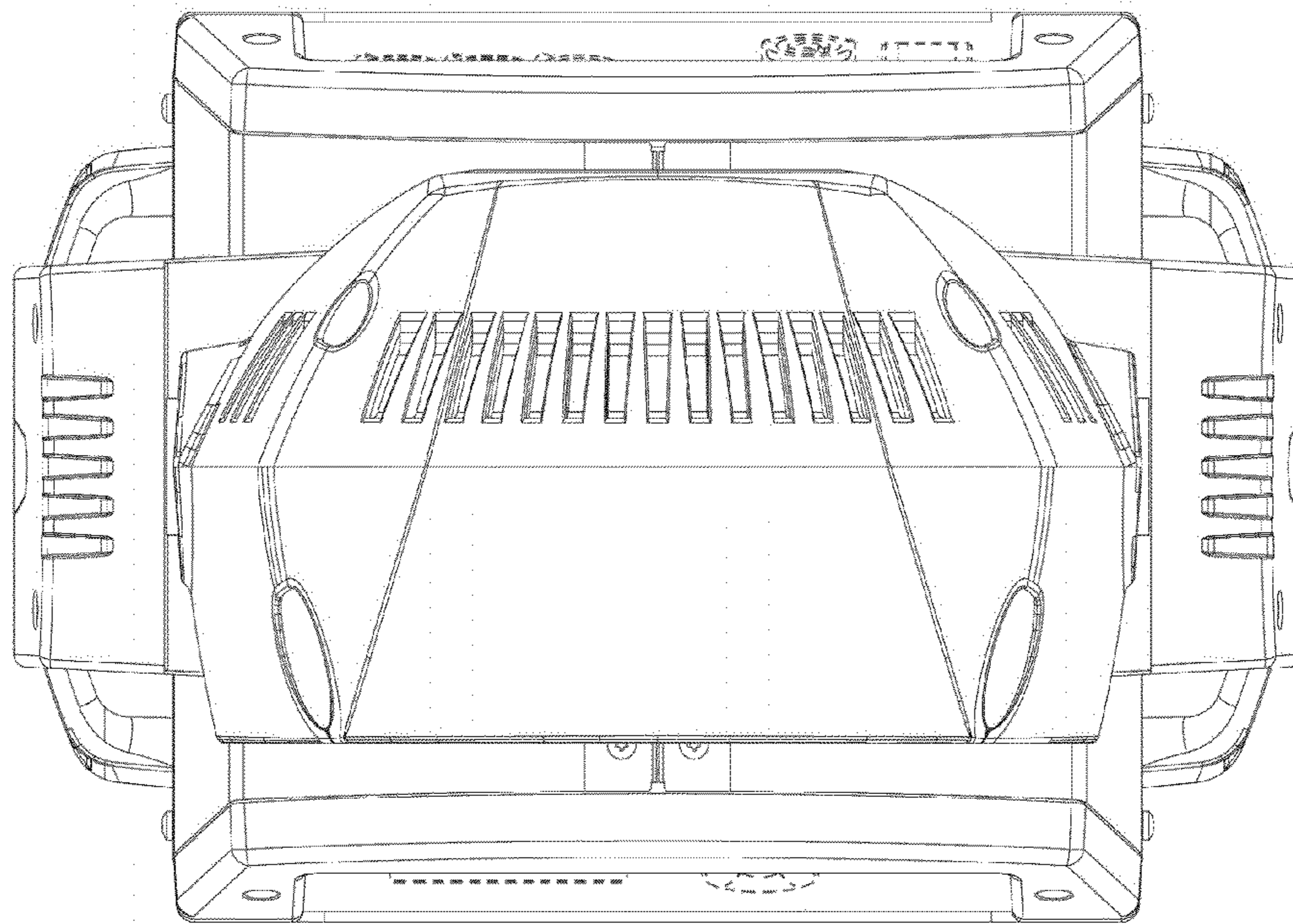


Fig. 7

