



US00D700382S

(12) **United States Design Patent**
Christ et al.

(10) **Patent No.:** **US D700,382 S**
(45) **Date of Patent:** **** Feb. 25, 2014**

(54) **WORK LIGHT**

(75) Inventors: **James Richard Christ**, Peachtree City, GA (US); **Christopher Michael Bryant**, Social Circle, GA (US)

(73) Assignee: **Cooper Technologies Company**, Houston, TX (US)

(**) Term: **14 Years**

(21) Appl. No.: **29/389,070**

(22) Filed: **Apr. 6, 2011**

Related U.S. Application Data

(63) Continuation of application No. 29/365,373, filed on Jul. 8, 2010, now Pat. No. Des. 638,153.

(51) **LOC (10) Cl.** **26-02**

(52) **U.S. Cl.**
USPC **D26/41**

(58) **Field of Classification Search**
USPC D26/37, 38, 40, 41, 42, 44, 46, 49, 61, D26/75, 50; 362/157, 158, 184, 194-196, 362/197, 202-208, 171-174
See application file for complete search history.

(56) **References Cited**

U.S. PATENT DOCUMENTS

4,528,618 A	7/1985	Bitsch
5,424,931 A	6/1995	Wheeler
5,515,247 A	5/1996	Cheung et al.
D372,997 S	8/1996	Meoli
D382,359 S	8/1997	Rorke et al.
D391,656 S	3/1998	Wan
D392,062 S	3/1998	Wan
D396,891 S	8/1998	Lam

5,890,793 A	4/1999	Stephens
6,164,801 A	12/2000	Alexander-Katz
6,808,208 B2	10/2004	Ward

(Continued)

OTHER PUBLICATIONS

Instruction Manual for Black & Decker WLF013BD 25-LED Work Light with Pivoting Head, Sep. 2008.

Primary Examiner — Ian Simmons

Assistant Examiner — Carissa C Fitts

(74) *Attorney, Agent, or Firm* — King & Spalding LLP

(57) **CLAIM**

The ornamental design for a work light, as shown and described.

DESCRIPTION

FIG. 1 is a perspective view of a work light, showing my new design;

FIG. 2 is a front elevation view thereof;

FIG. 3 is a rear elevation view thereof;

FIG. 4 is a top plan view thereof;

FIG. 5 is a bottom plan view thereof;

FIG. 6 is a left-side elevation view thereof;

FIG. 7 is a right-side elevation view thereof;

FIG. 8 is a perspective view of a modified embodiment of the design shown in FIGS. 1-7;

FIG. 9 is a front elevation view of the work light of FIG. 8;

FIG. 10 is a rear elevation view of the work light of FIG. 8;

FIG. 11 is a top plan view of the work light of FIG. 8;

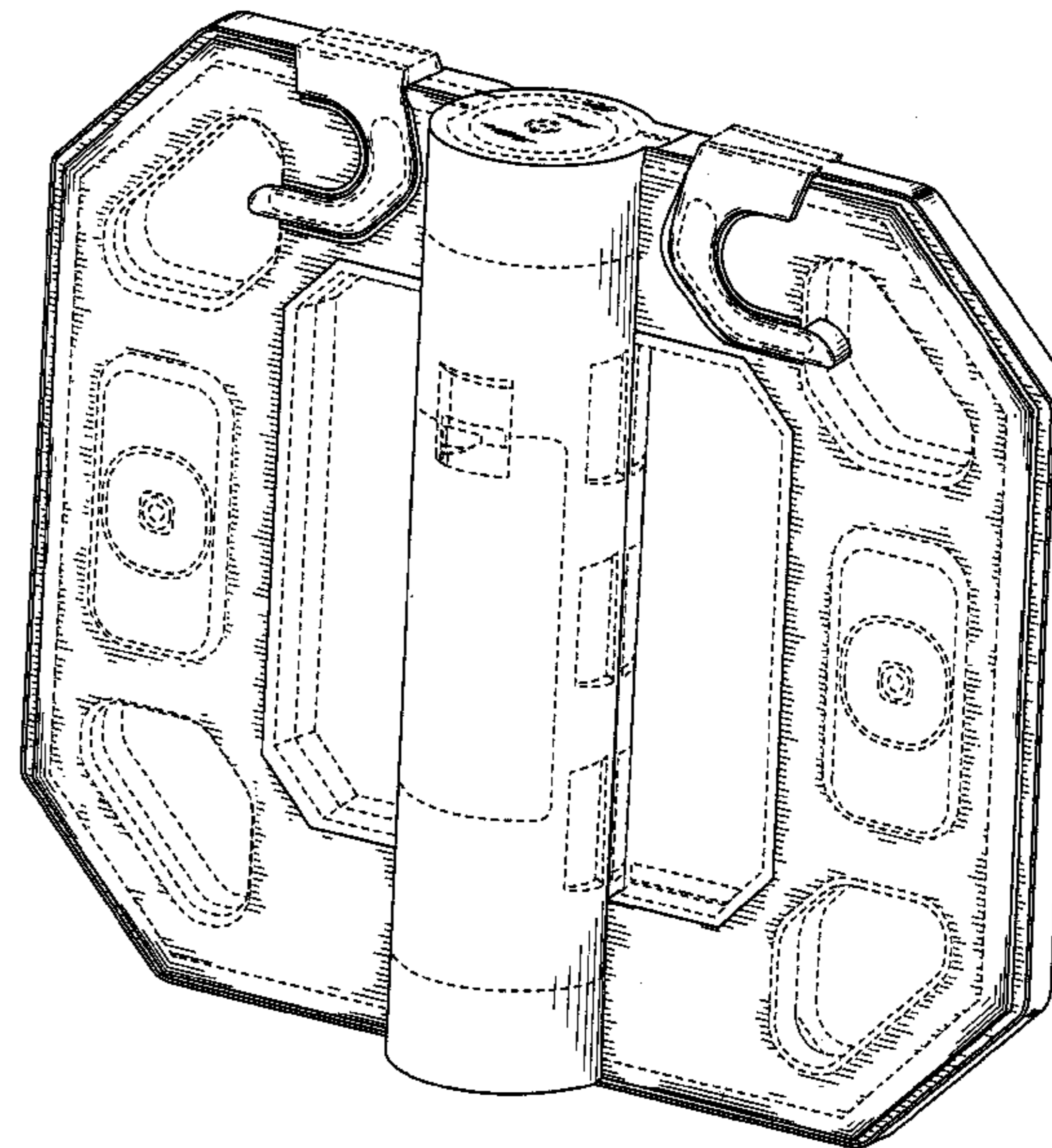
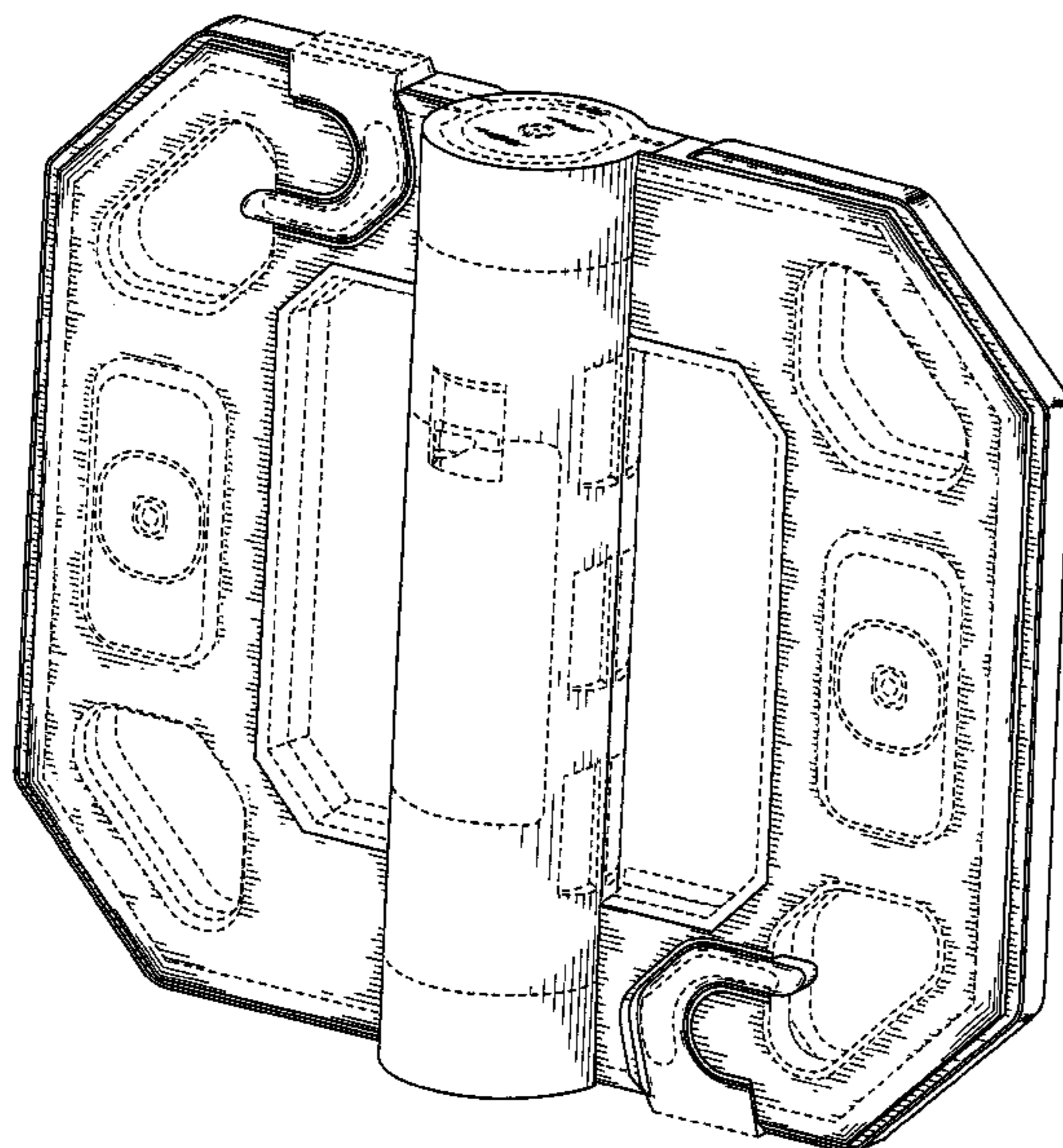
FIG. 12 is a bottom plan view of the work light of FIG. 8;

FIG. 13 is a left-side elevation view of the work light of FIG. 8; and,

FIG. 14 is a right-side elevation view of the work light of FIG. 8.

The broken lines shown represent unclaimed subject matter and form no part of the claimed design.

1 Claim, 10 Drawing Sheets



(56)

References Cited

U.S. PATENT DOCUMENTS

6,857,756 B2	2/2005	Reiff et al.	7,556,398 B2	7/2009	Van Der Poel
D505,217 S	5/2005	Bayat et al.	7,559,665 B1	7/2009	Pfanstiehl
6,979,100 B2	12/2005	Reiff et al.	D620,627 S *	7/2010	Kovacik et al. D26/42
7,121,688 B2	10/2006	Rempel	7,810,948 B2	10/2010	Ogashiwa
D540,484 S *	4/2007	Bayat et al. D26/42	D636,915 S *	4/2011	Bryant et al. D26/42
D546,490 S	7/2007	Brown et al.	D637,749 S *	5/2011	Bayat et al. D26/49
D550,385 S	9/2007	Hamilton et al.	D638,153 S *	5/2011	Christ et al. D26/42
D556,926 S	12/2007	Thirouin	8,002,438 B2	8/2011	Ko
D558,369 S	12/2007	O'Hern	2004/0004828 A1	1/2004	Chernick et al.
D567,977 S	4/2008	Jianwei	2004/0032732 A1	2/2004	Rubin
D567,978 S	4/2008	Jianwei	2004/0042199 A1	3/2004	Cok
D581,569 S *	11/2008	Levine D26/61	2006/0034091 A1	2/2006	Kovacik et al.
D588,733 S	3/2009	O'Hern	2006/0043085 A1	3/2006	Meyers
D593,695 S	6/2009	Levine	2006/0104069 A1	5/2006	Beveridge et al.
			2008/0043457 A1	2/2008	Braxson
			2010/0110700 A1	5/2010	Chien
			2010/0232147 A1 *	9/2010	Bryant et al. 362/183

* cited by examiner

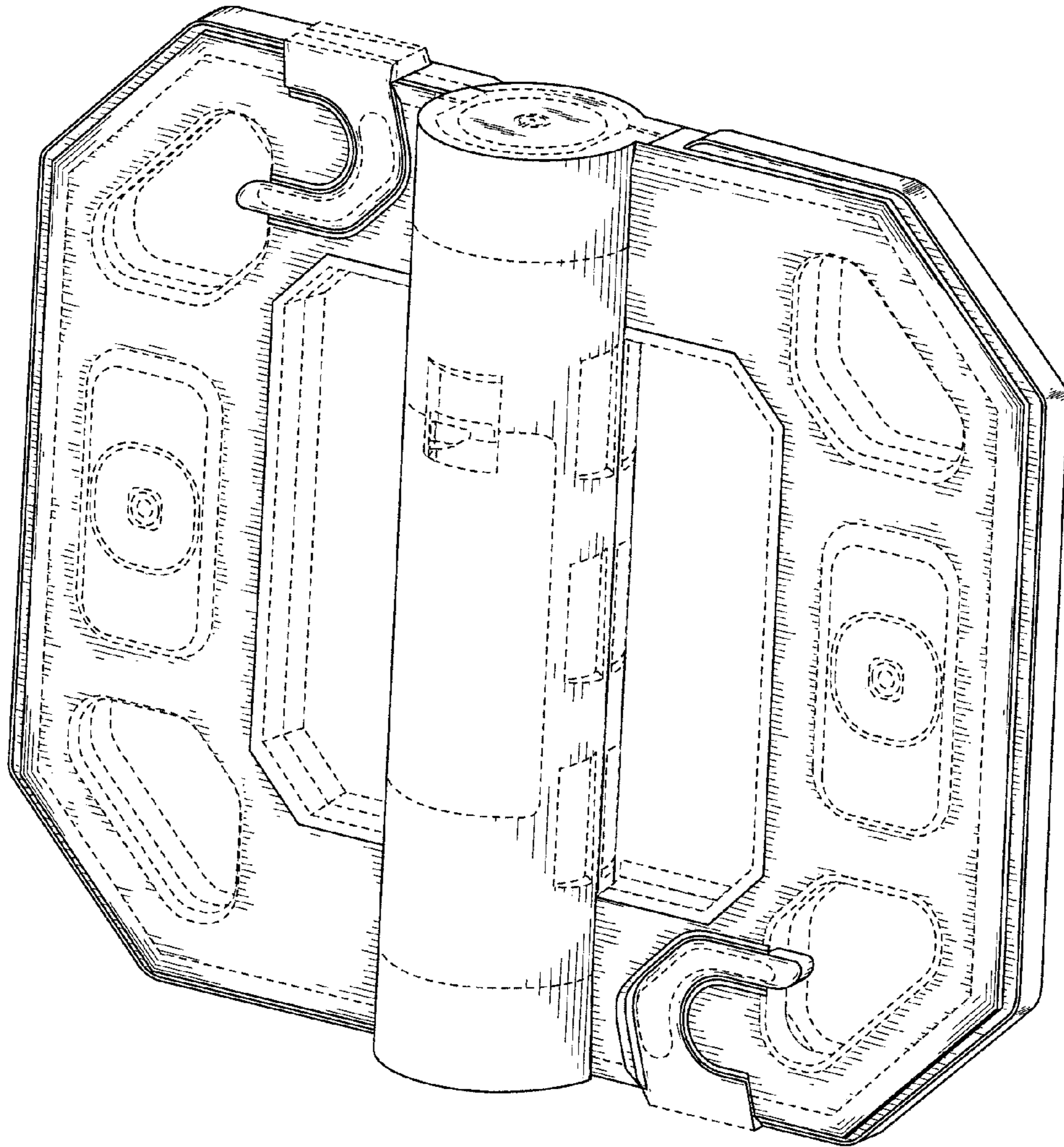


FIG. 1

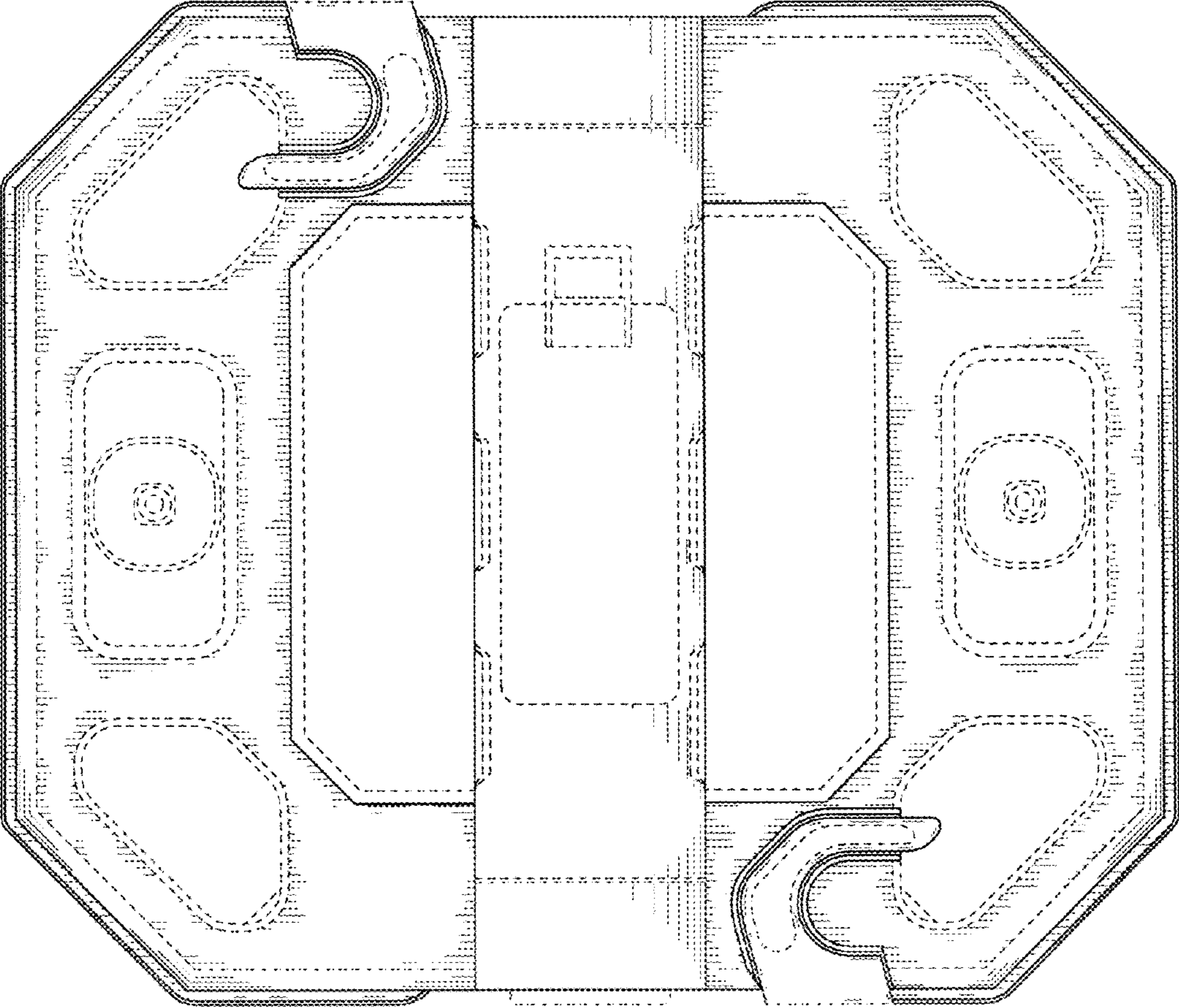


FIG. 2

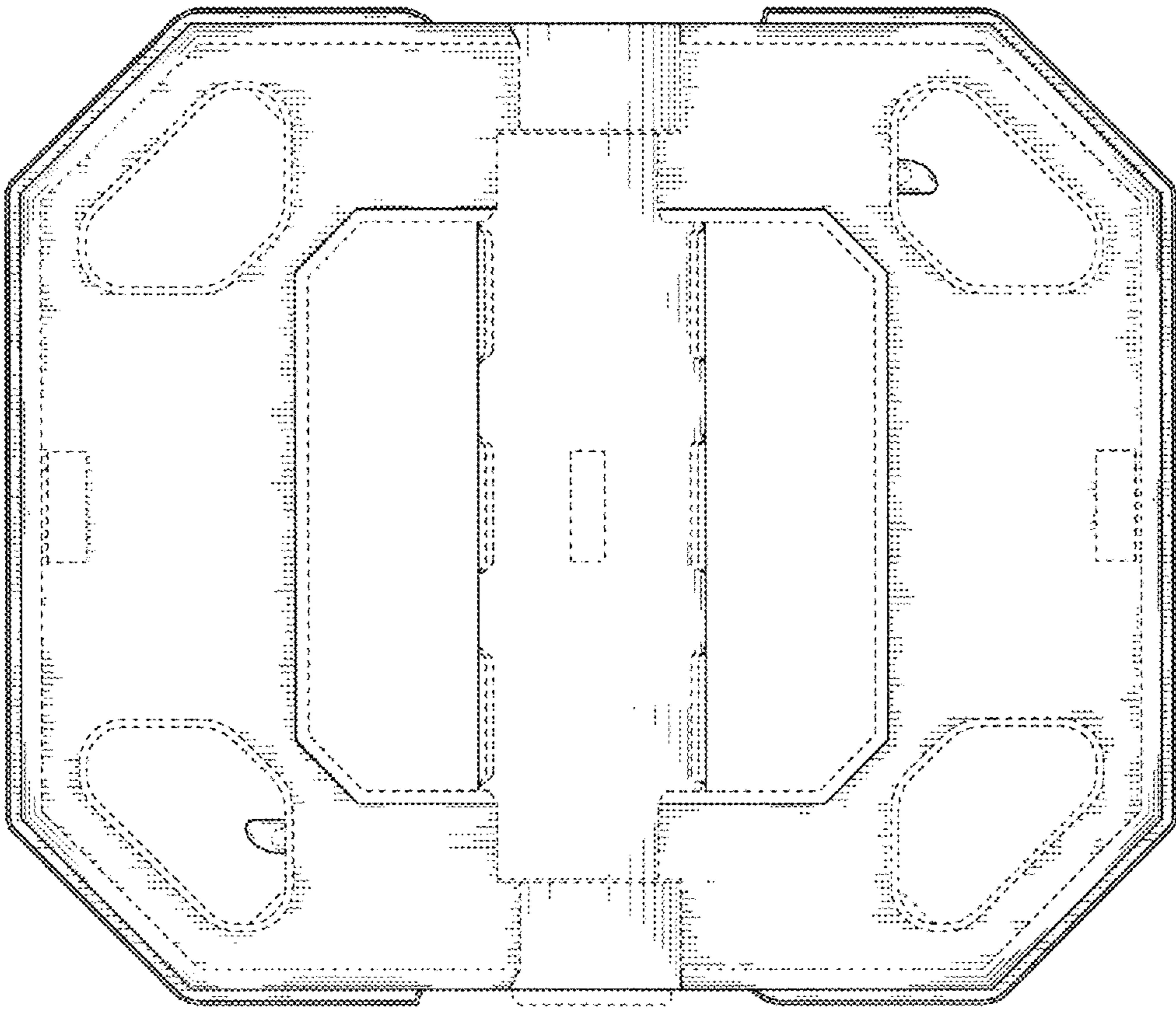


FIG. 3

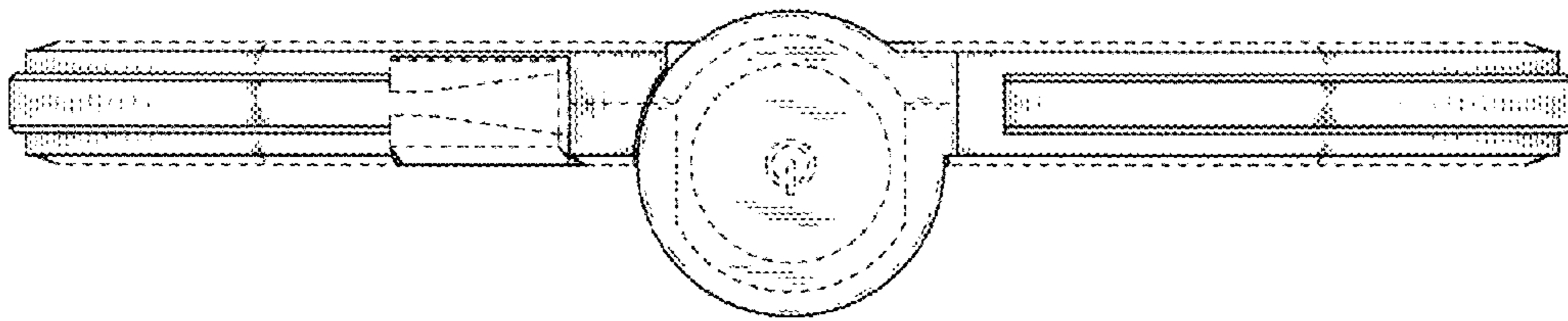


FIG. 4

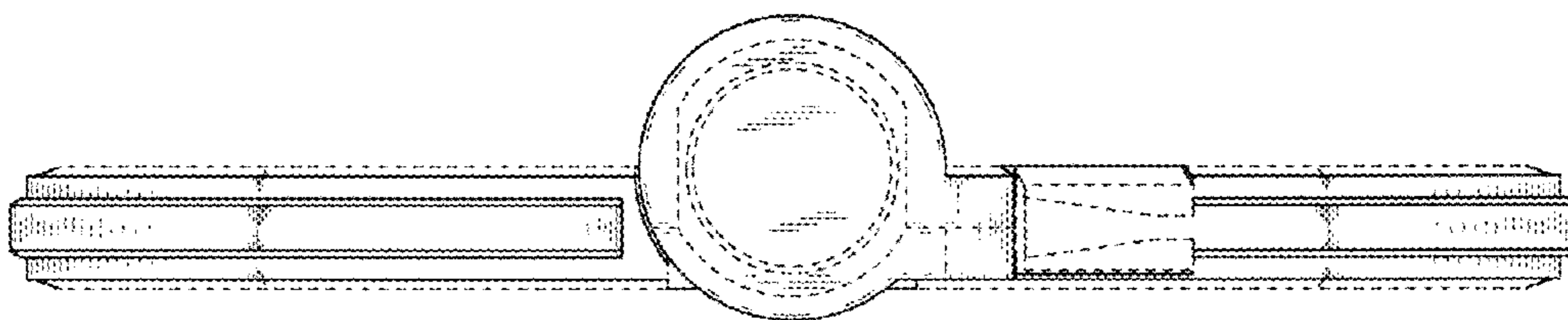


FIG. 5

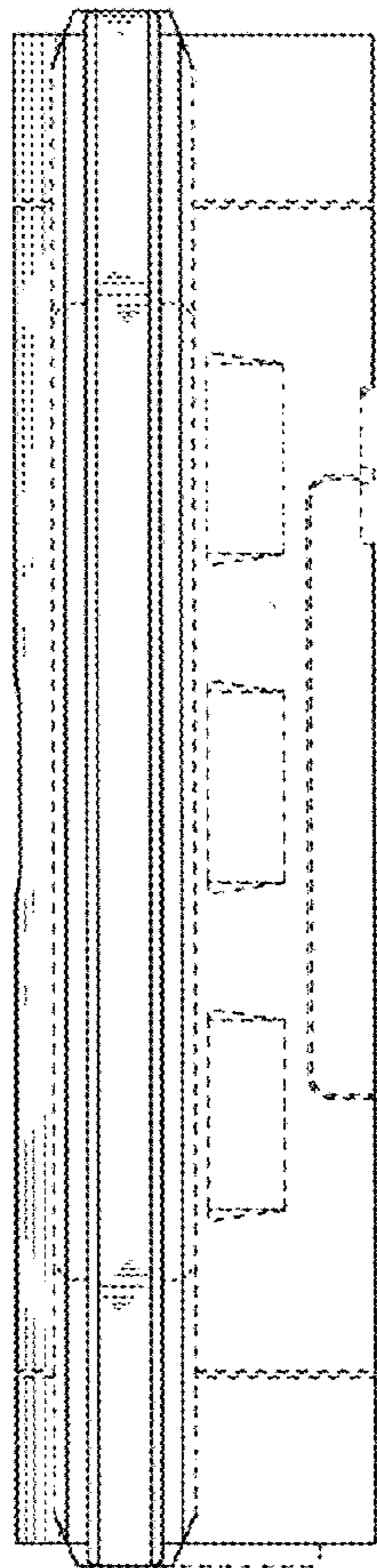


FIG. 6

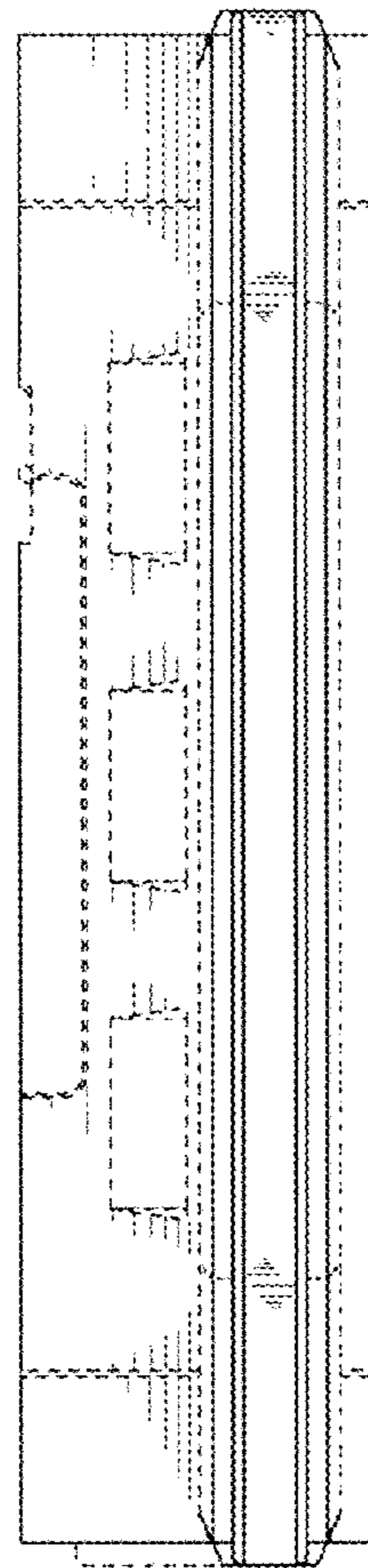


FIG. 7

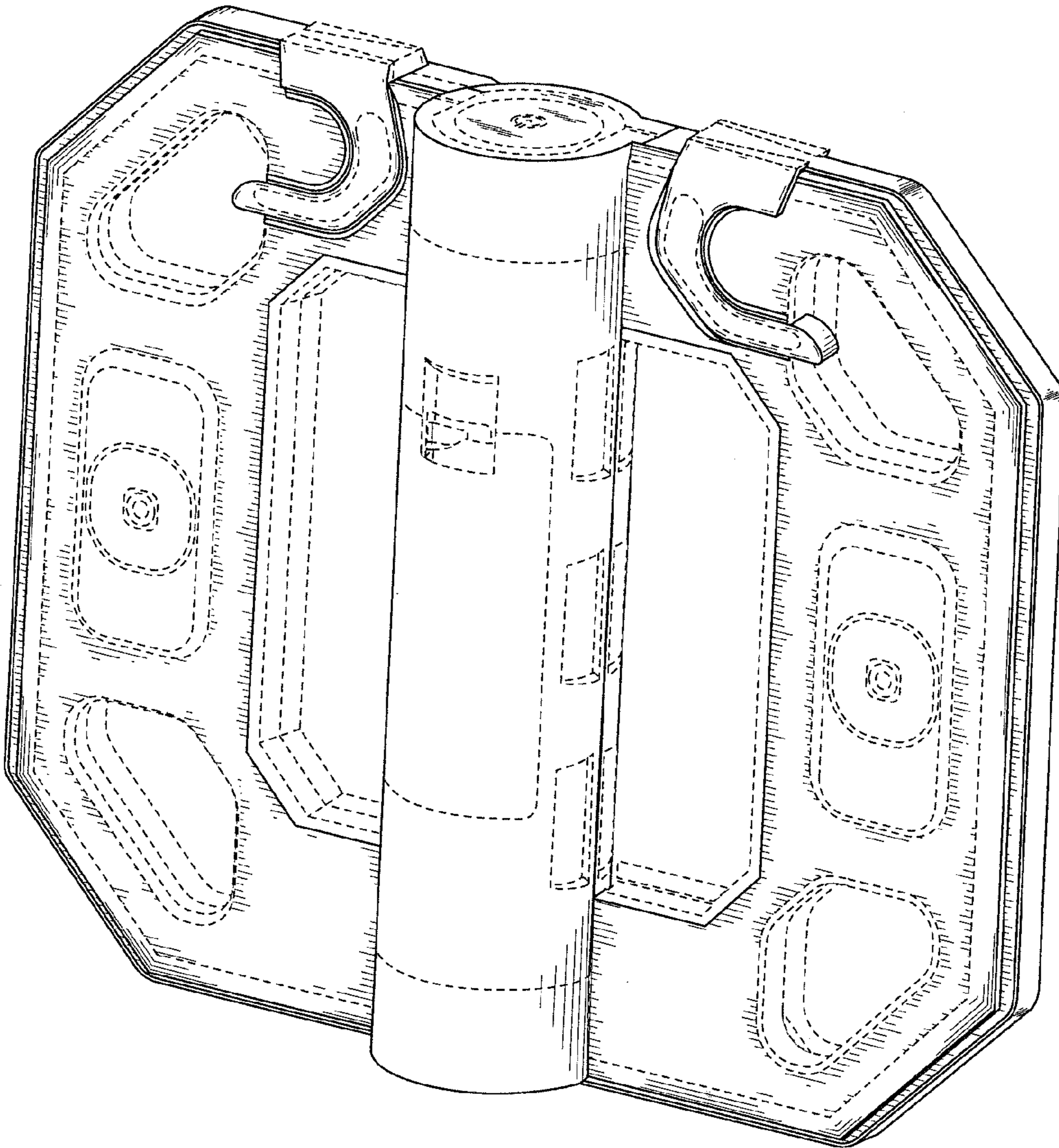


FIG. 8

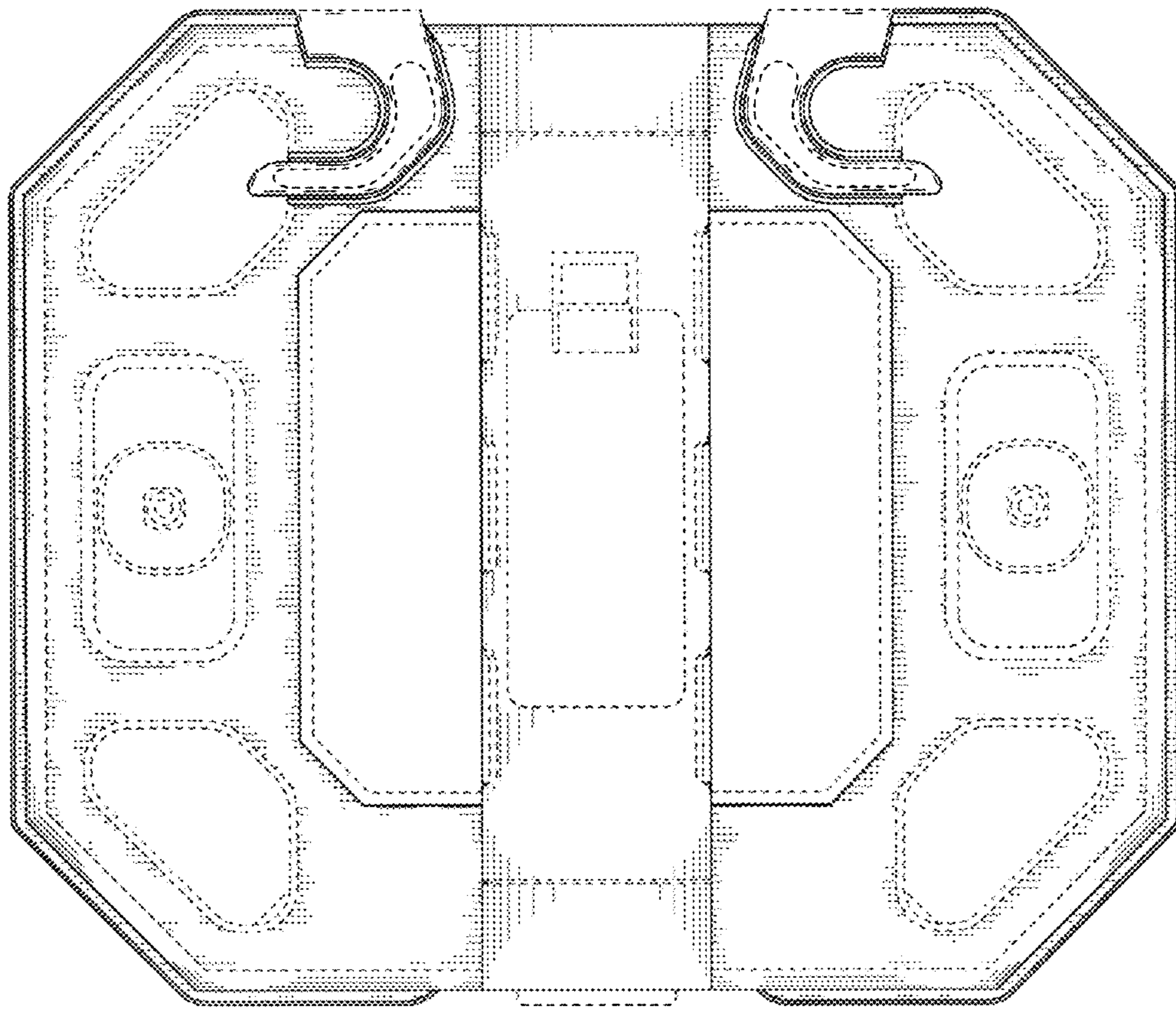


FIG. 9

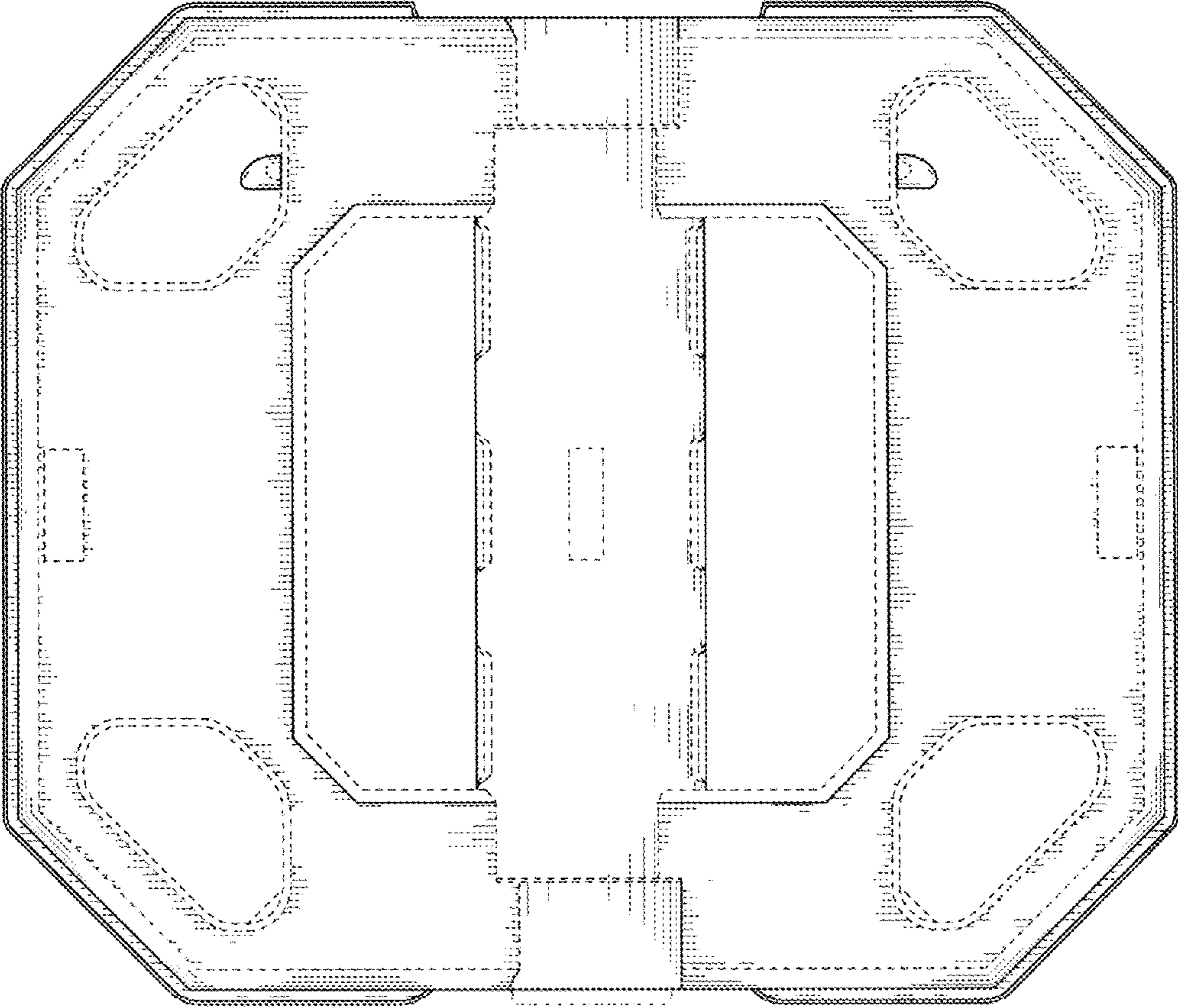


FIG. 10

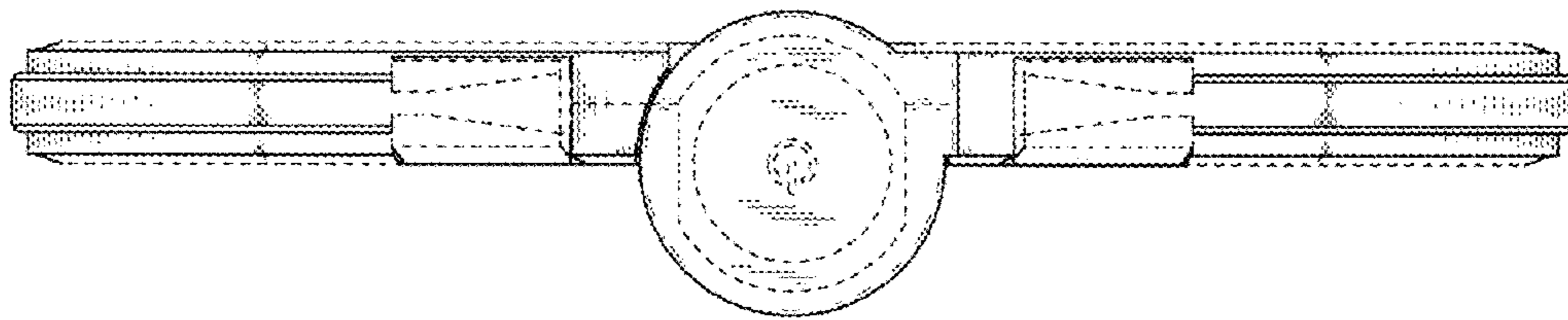


FIG. 11

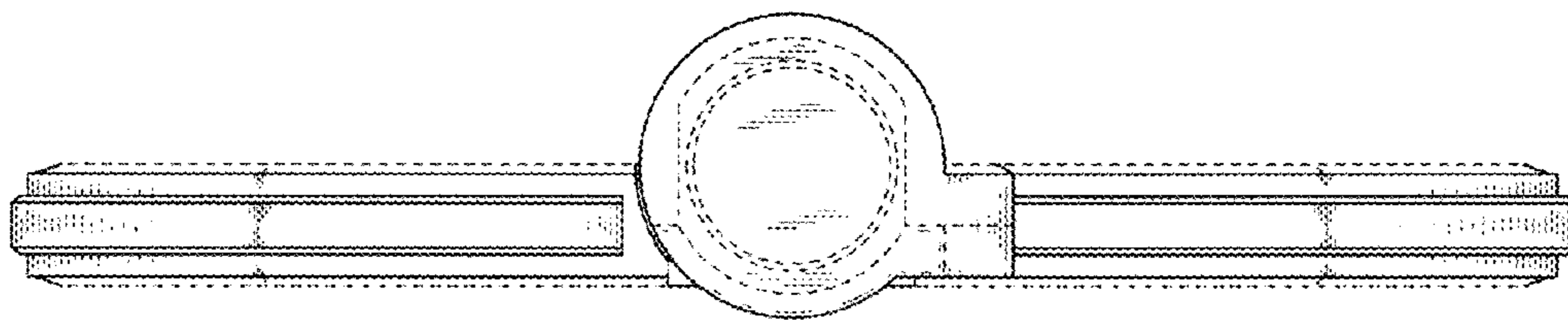


FIG. 12

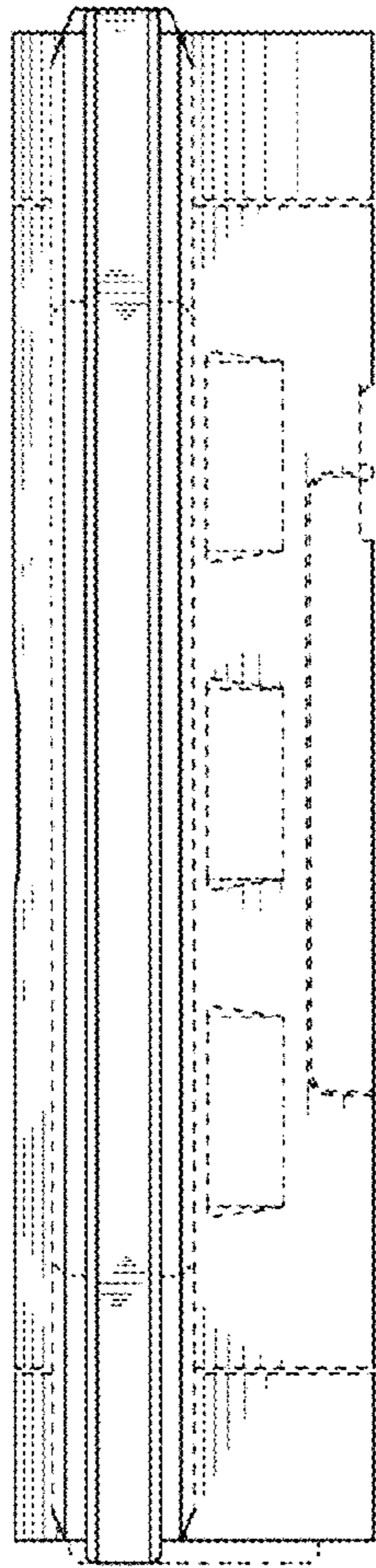


FIG. 13

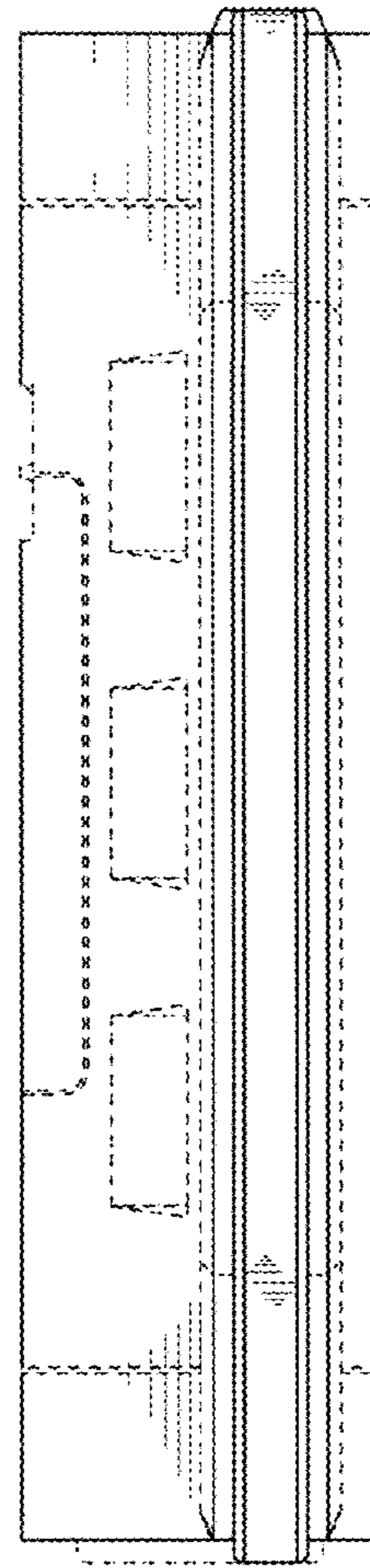


FIG. 14