



US00D700381S

(12) **United States Design Patent**
Pamani

(10) **Patent No.:** **US D700,381 S**

(45) **Date of Patent:** **** Feb. 25, 2014**

(54) **LED LIGHTING ASSEMBLY FOR A LANTERN**

(75) Inventor: **Ramesh Pamani**, Moonachie, NJ (US)

(73) Assignee: **Style Asia Inc.**, Moonachie, NJ (US)

(**) Term: **14 Years**

(21) Appl. No.: **29/430,296**

(22) Filed: **Aug. 23, 2012**

(51) **LOC (10) Cl.** **26-02**

(52) **U.S. Cl.**
USPC **D26/40**

(58) **Field of Classification Search**
USPC D26/37-50; 362/157-158, 171-174,
362/183-208
See application file for complete search history.

(56) **References Cited**

U.S. PATENT DOCUMENTS

1,985,517	A *	12/1934	Beckman et al.	362/173
D101,113	S *	9/1936	Gerht et al.	D26/41
2,054,878	A *	9/1936	Embury	362/171
D646,411	S *	10/2011	Tuli	D26/40

* cited by examiner

Primary Examiner — Marcus Jackson

(74) *Attorney, Agent, or Firm* — Galgano & Associates, PLLC; Thomas M. Galgano; Jessica G. Bower

(57) **CLAIM**

The ornamental design for a LED lighting assembly for a lantern, as shown and described.

DESCRIPTION

FIG. 1 is a front and left side perspective view of the LED lighting assembly for a lantern according to the present invention which comprises an LED light formation and reflector, shown in a lantern illustrated in phantom;

FIG. 2 is an enlarged sectional, front elevational view thereof, the rear elevational view, right side elevational view, and left side elevational view being identical thereto;

FIG. 3 is a top plan view of the LED light formation of the LED lighting assembly for a lantern, taken along line 3-3 in FIG. 2; and,

FIG. 4 is a bottom plan view of the reflector of the LED lighting assembly for a lantern, taken along line 4-4 in FIG. 2. The broken line is included for the purpose of illustrating the lantern and forms no part of the claimed design.

1 Claim, 2 Drawing Sheets

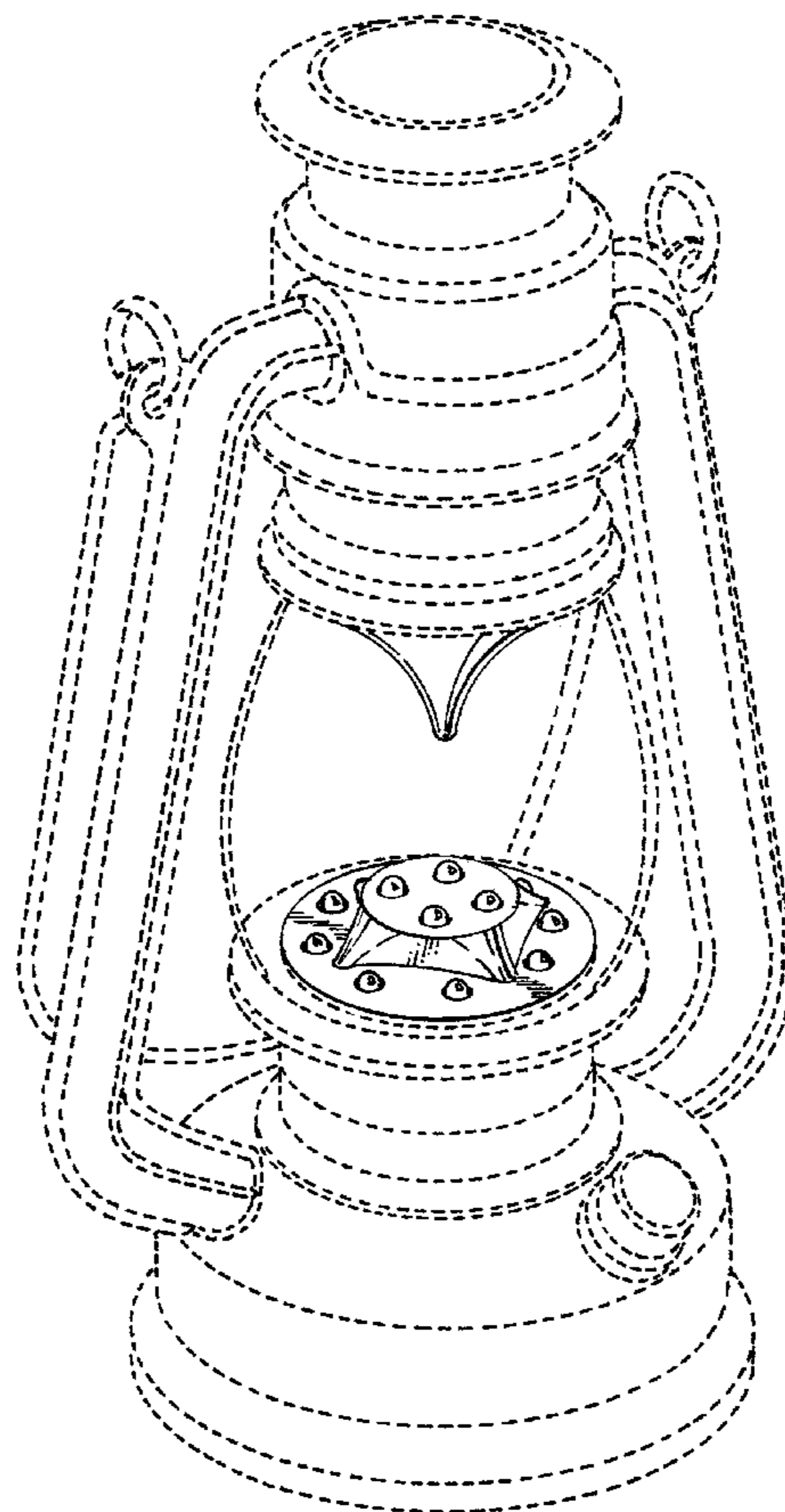


Fig. 1

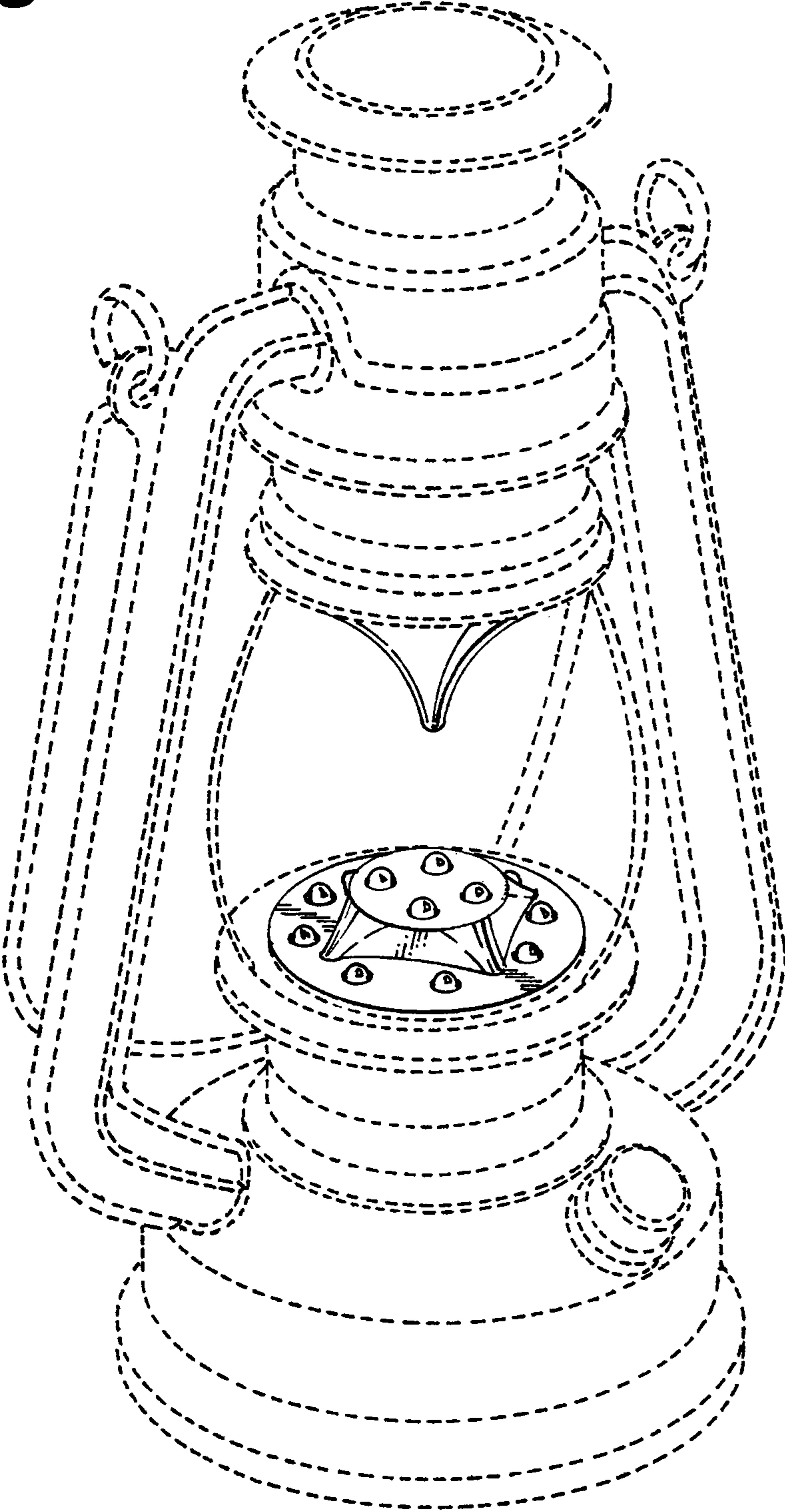


Fig. 2

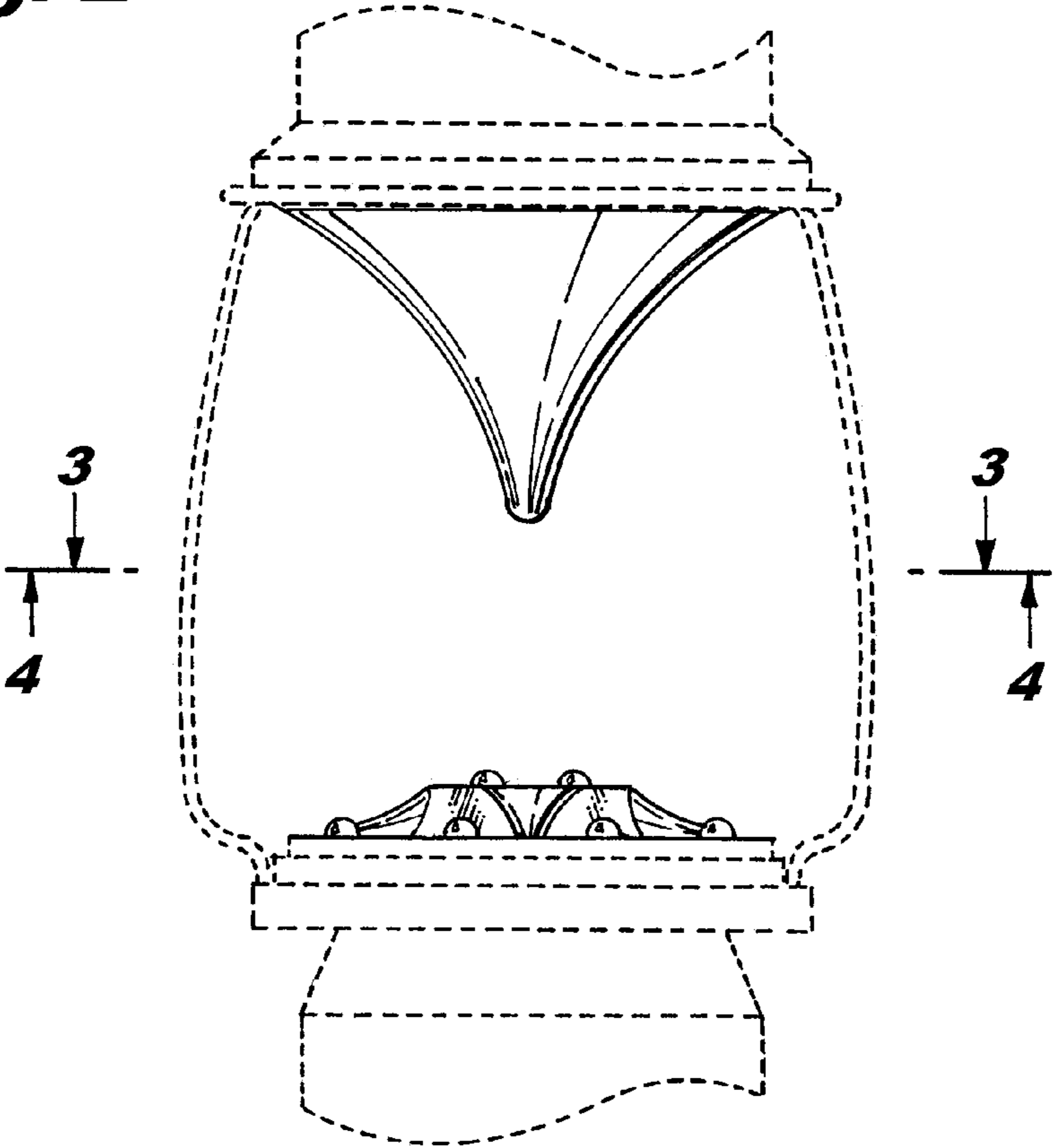


Fig. 3

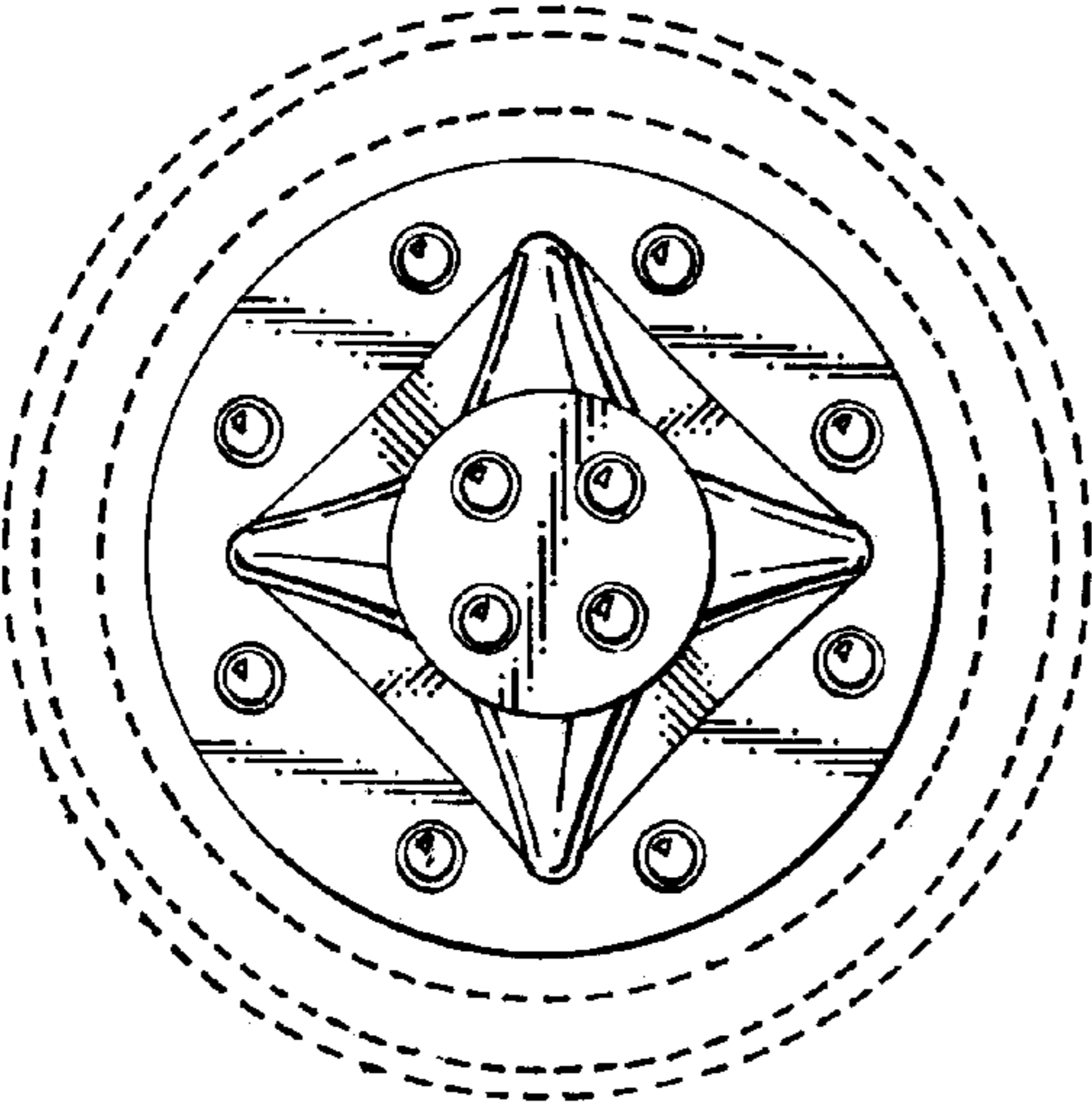


Fig. 4

