



US00D700379S

(12) **United States Design Patent**
Sid

(10) **Patent No.:** **US D700,379 S**
(45) **Date of Patent:** **** Feb. 25, 2014**

- (54) **TRACK LIGHTING ASSEMBLY**
- (75) Inventor: **Alberto Sid**, Upper Saddle River, NJ (US)
- (73) Assignee: **MAF Technologies Corporation**, Upper Saddle River, NJ (US)
- (**) Term: **14 Years**
- (21) Appl. No.: **29/417,604**
- (22) Filed: **Apr. 5, 2012**
- (51) **LOC (10) Cl.** **26-03**
- (52) **U.S. Cl.**
USPC **D26/24**
- (58) **Field of Classification Search**
USPC D26/1, 24, 25, 61, 72, 80, 81, 84, 86, D26/87, 88, 90, 113, 138, 141, 145; 439/78, 439/515, 121, 239, 241, 110; 174/96, 68.1; 362/147, 217.17, 217.15, 217.11, 219, 362/217.01, 398, 382, 287
See application file for complete search history.

(56) **References Cited**

U.S. PATENT DOCUMENTS

5,855,485 A * 1/1999 Patti 439/121

(Continued)

Primary Examiner — Brian N Vinson

(57) **CLAIM**

The ornamental design for a track lighting assembly, as shown and described.

DESCRIPTION

FIG. 1 is a top perspective view of a track lighting system showing my new design;

FIG. 2 is an enlarged end elevational view of the track portion thereof, with the remainder of the assembly being omitted for clarity of illustration;

FIG. 3 is a side elevational view of the track portion thereof, with the remainder of the assembly being omitted for clarity of illustration;

FIG. 4 is a top plan view of the track portion thereof, with the remainder of the assembly being omitted for clarity of illustration;

FIG. 5 is a bottom plan view of the track portion thereof, with the remainder of the assembly being omitted for clarity of illustration;

FIG. 6 is a perspective view of the power adaptor portion thereof, with the remainder of the assembly being omitted for clarity of illustration, and the broken-line disclosure showing a compatible light attachment;

FIG. 7 is an enlarged perspective view of the power adaptor portion thereof, with the remainder of the assembly being omitted for clarity of illustration

FIG. 8 is an enlarged front view of the power adaptor portion thereof, with the remainder of the assembly being omitted for clarity of illustration

FIG. 9 is a top view of the power adaptor portion thereof, with the remainder of the assembly being omitted for clarity of illustration

FIG. 10 is an enlarged bottom view of the power adaptor portion thereof, with the remainder of the assembly being omitted for clarity of illustration

FIG. 11 is a right side view of the power adaptor portion thereof, with the remainder of the assembly being omitted for clarity of illustration;

FIG. 12 is a left side view of the power adaptor portion thereof, with the remainder of the assembly being omitted for clarity of illustration;

FIG. 13 is an enlarged perspective view of the keeper portion thereof, used to attach the power track portion to a surface, with the remainder of the assembly being omitted for clarity of illustration;

FIG. 14 is a top plan view of the of the keeper portion thereof, with the remainder of the assembly being omitted for clarity of illustration;

FIG. 15 is a bottom plan view of the keeper portion thereof, with the remainder of the assembly being omitted for clarity of illustration;

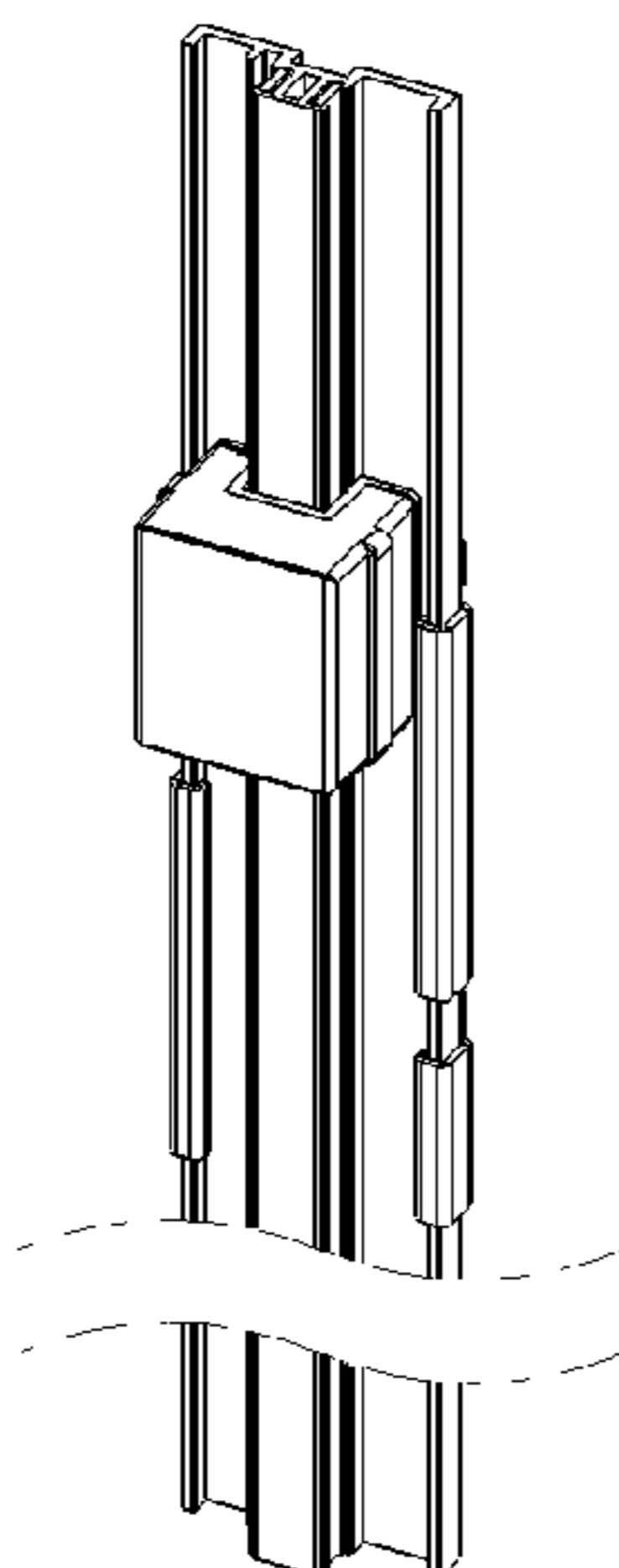
FIG. 16 is a right side elevational view of the keeper portion thereof, with the remainder of the assembly being omitted for clarity of illustration;

FIG. 17 is of the keeper portion thereof, with the remainder of the assembly being omitted for clarity of illustration; and,

FIG. 18 is an end elevational view of the keeper portion thereof, with the remainder of the assembly being omitted for clarity of illustration.

The areas between the parallel broken-away lines form no part of the claimed design.

1 Claim, 11 Drawing Sheets



(56)

References Cited

U.S. PATENT DOCUMENTS

5,869,786 A * 2/1999 Jaakkola et al. 174/68.1
6,059,582 A * 5/2000 Tsai 439/121
6,113,401 A * 9/2000 Nieminen et al. 439/121
D486,602 S * 2/2004 Hines et al. D26/138

6,716,042 B2 * 4/2004 Lin 362/147
D536,822 S * 2/2007 Pyskos et al. D26/138
D628,341 S * 11/2010 Redfern et al. D26/138
D663,068 S * 7/2012 Hochman D26/138
8,545,045 B2 * 10/2013 Tress 362/217.17

* cited by examiner

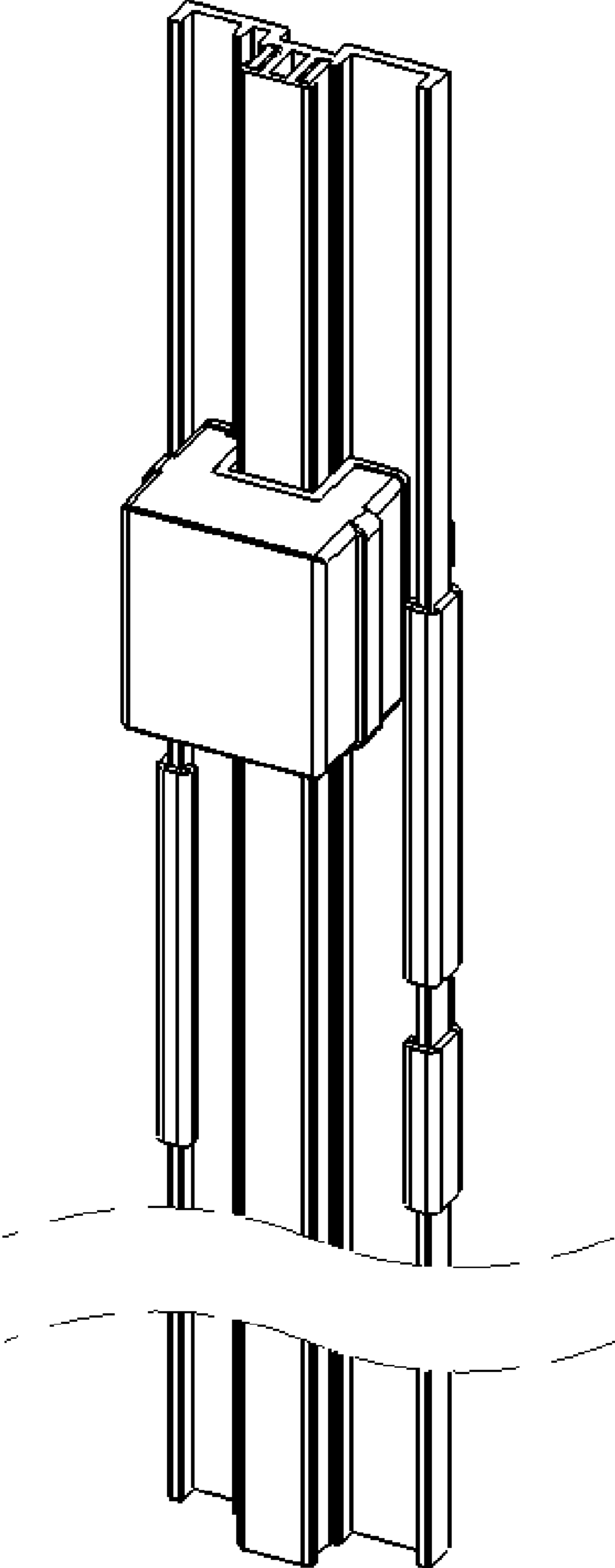


Fig. 1

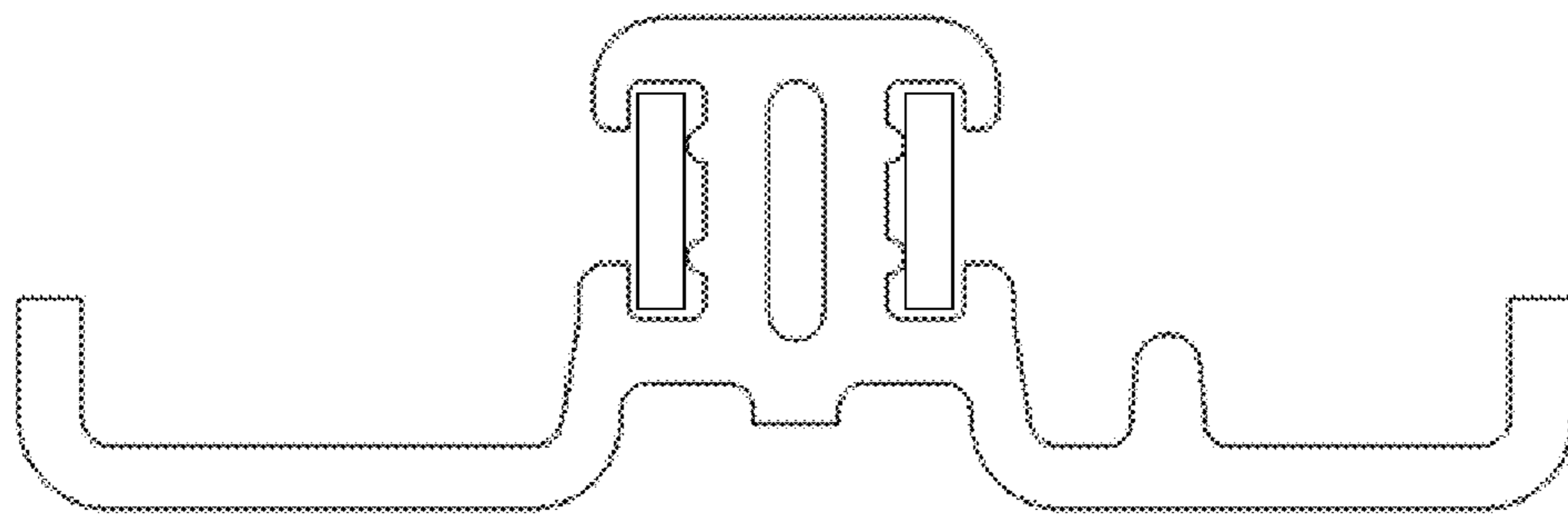


Fig. 2

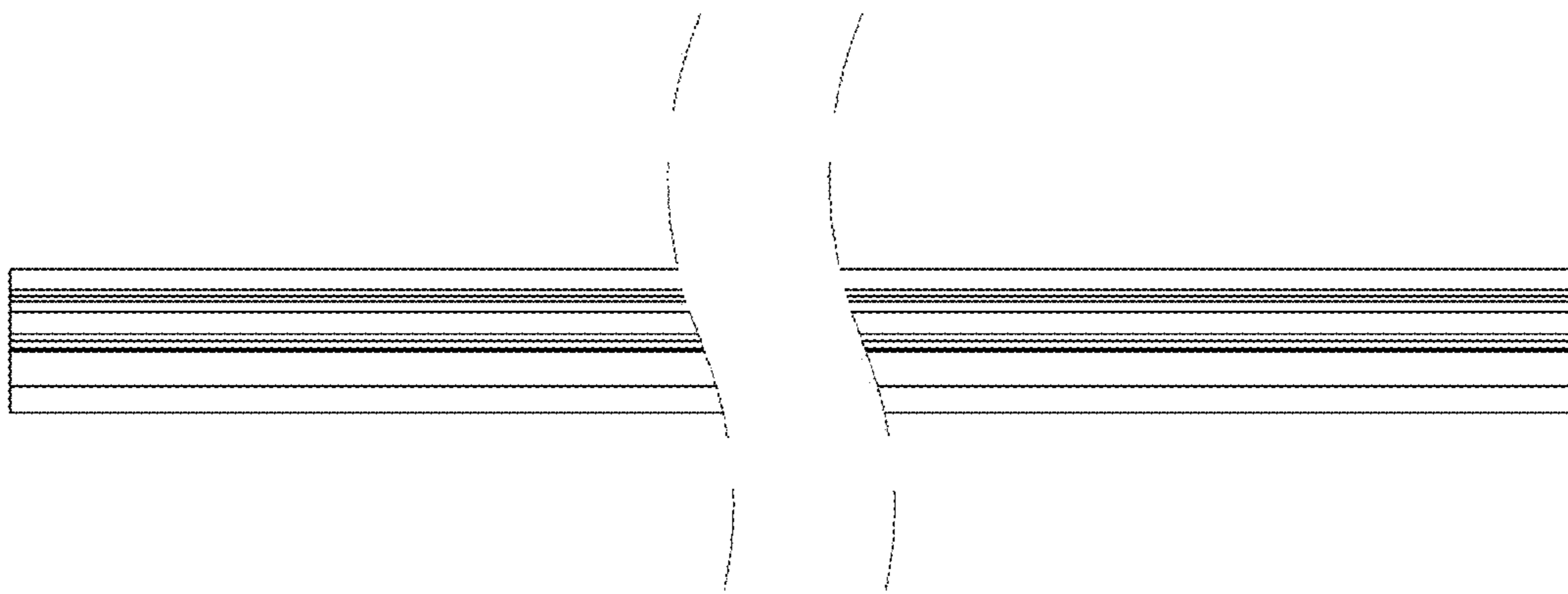


Fig. 3

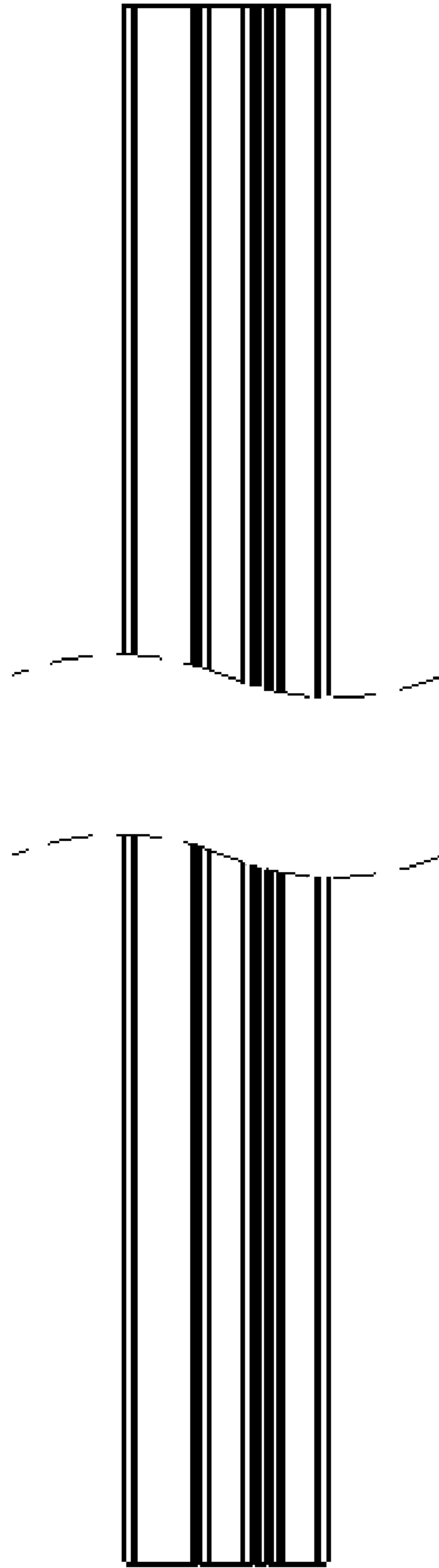


Fig. 4

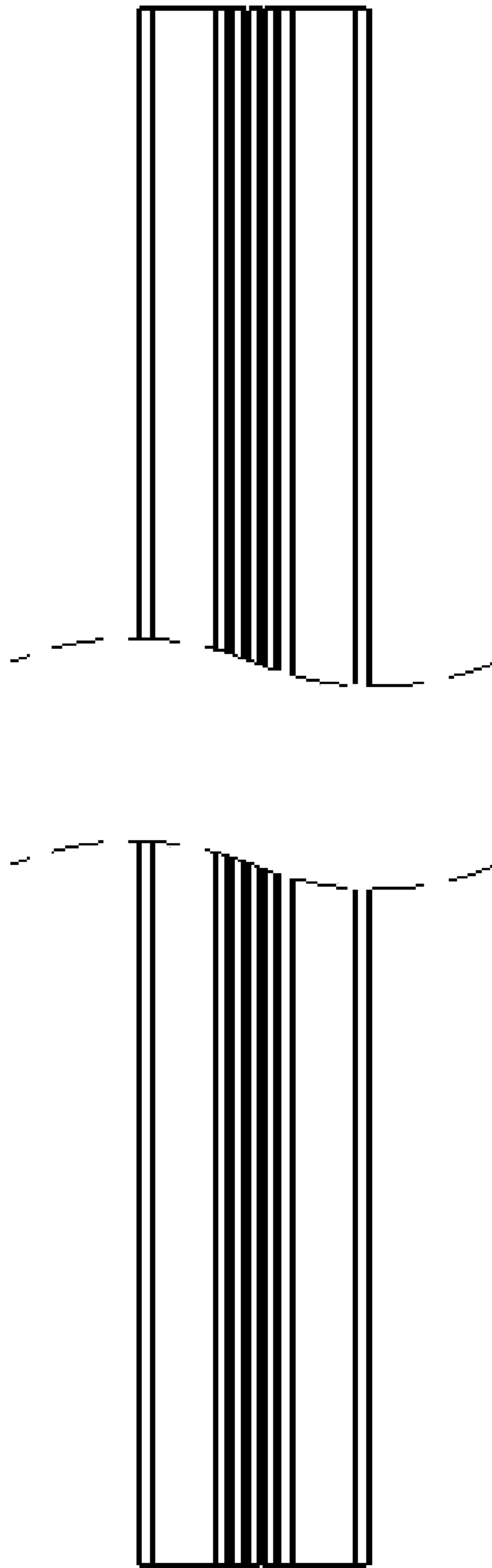


Fig. 5

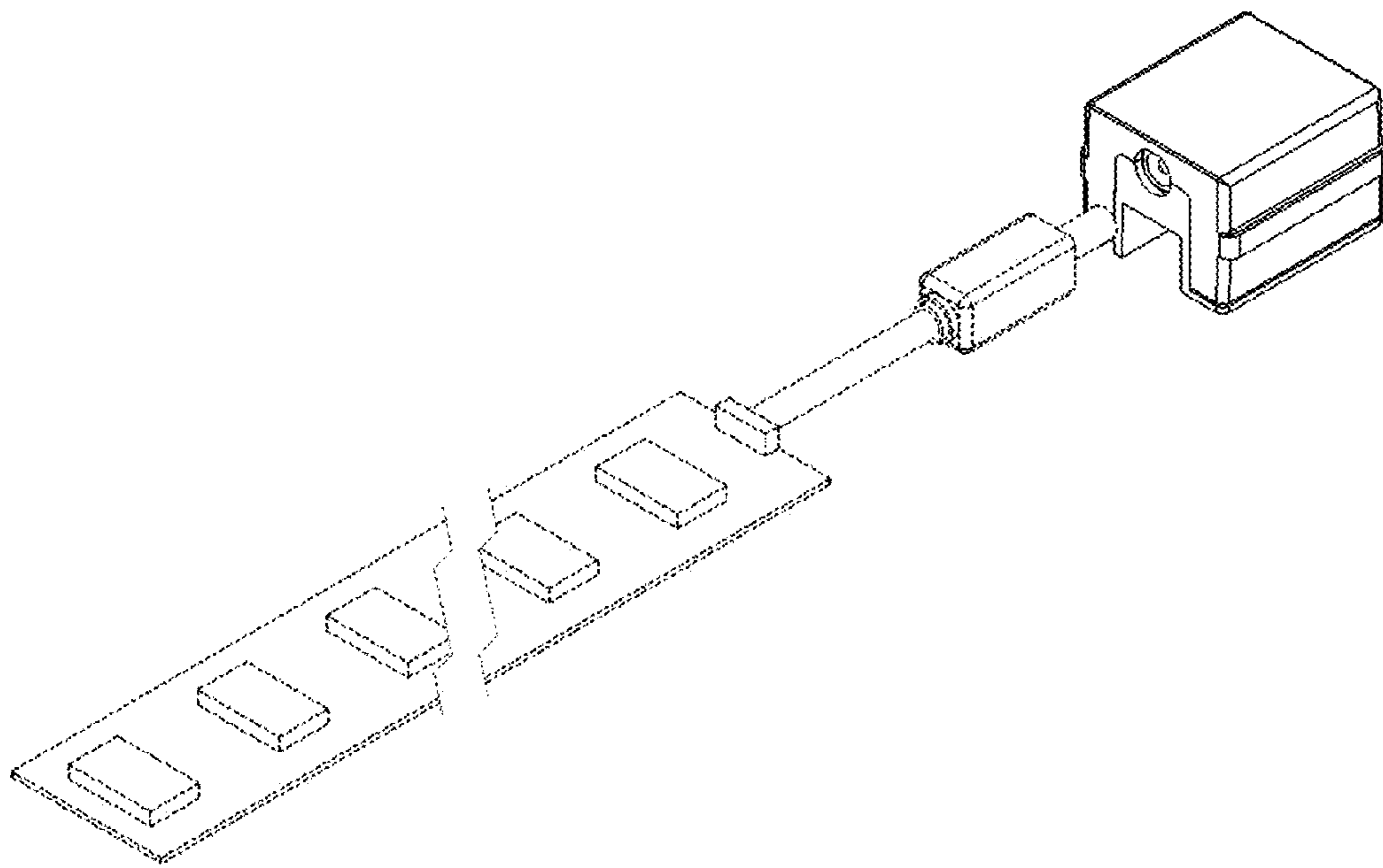


Fig. 6

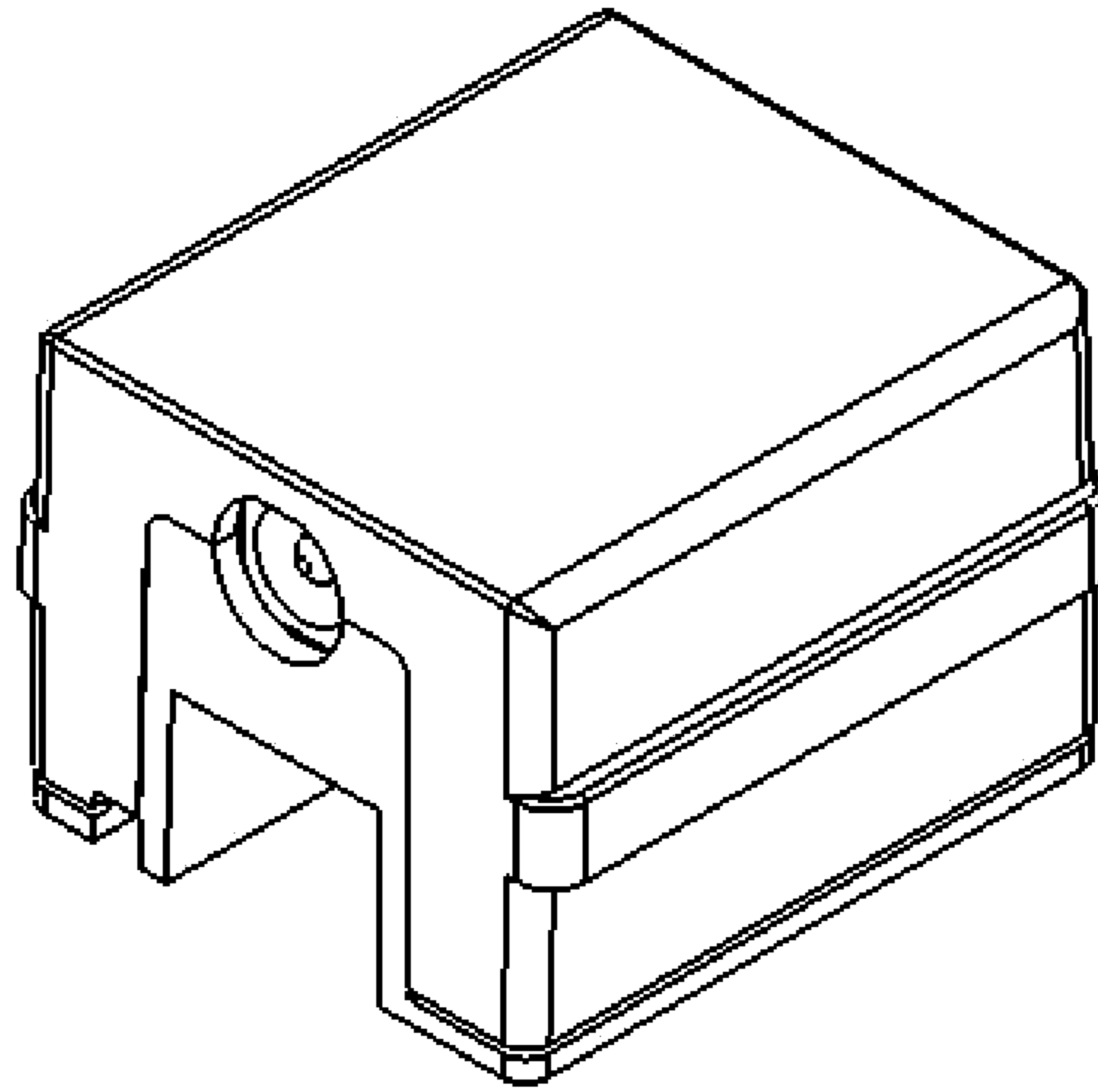


Fig. 7

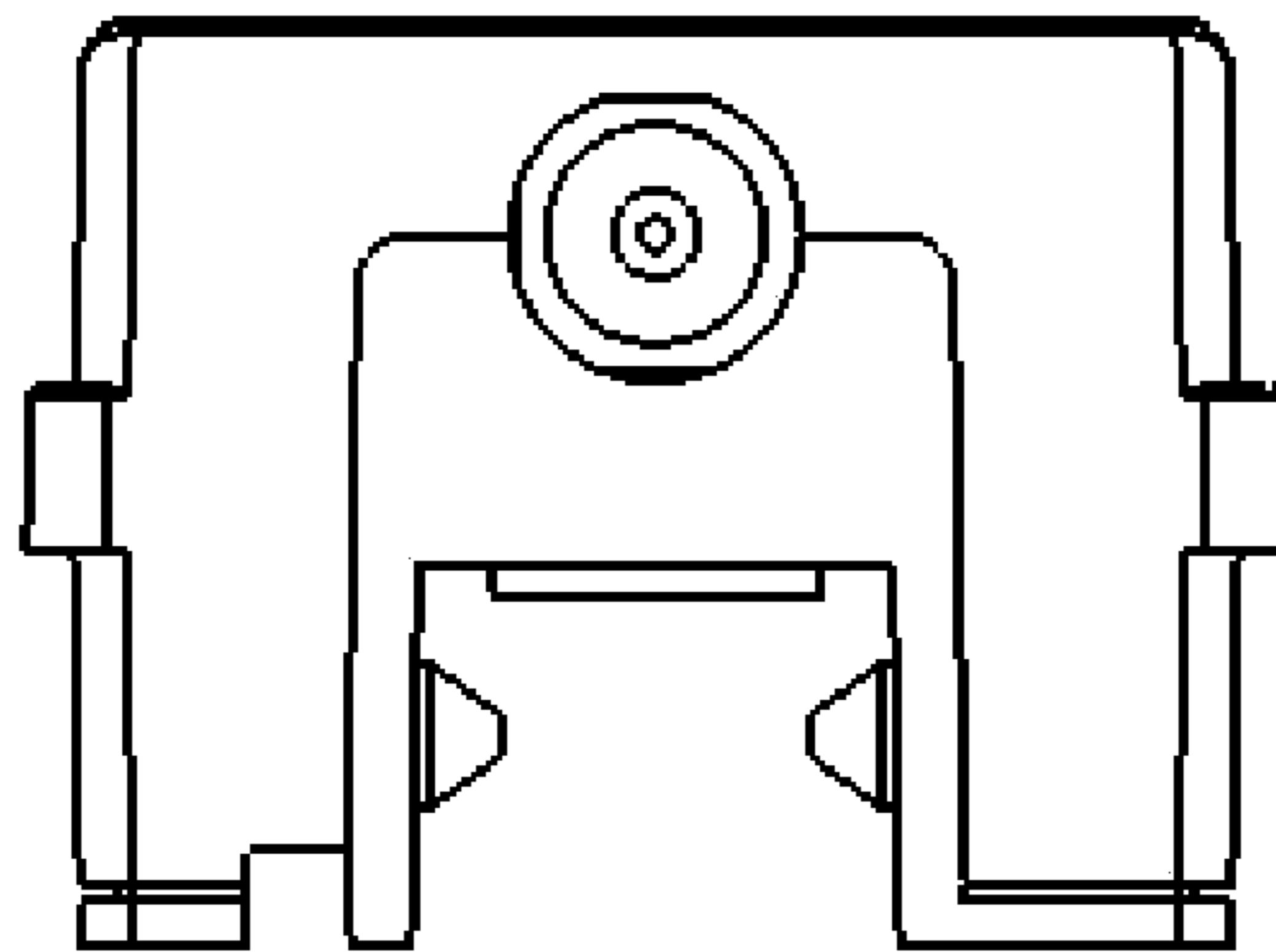


Fig. 8

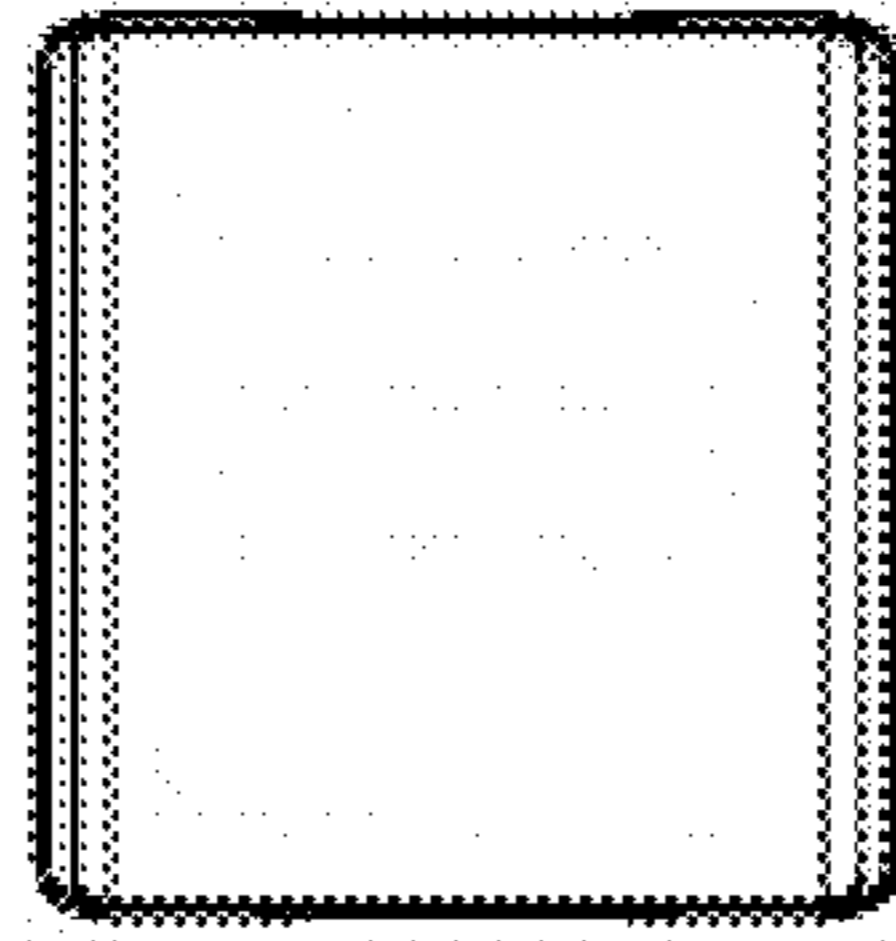


Fig. 9

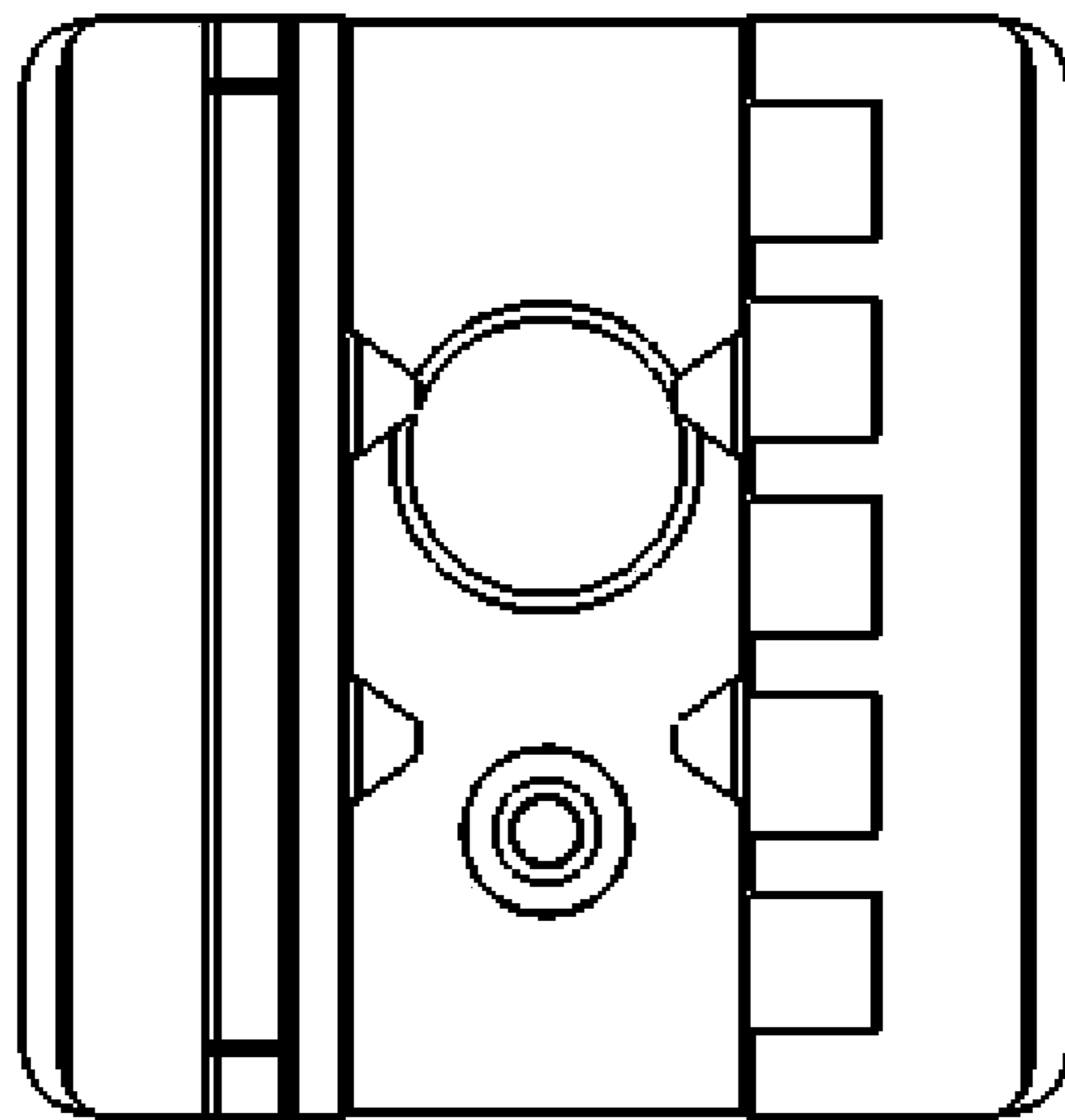


Fig. 10

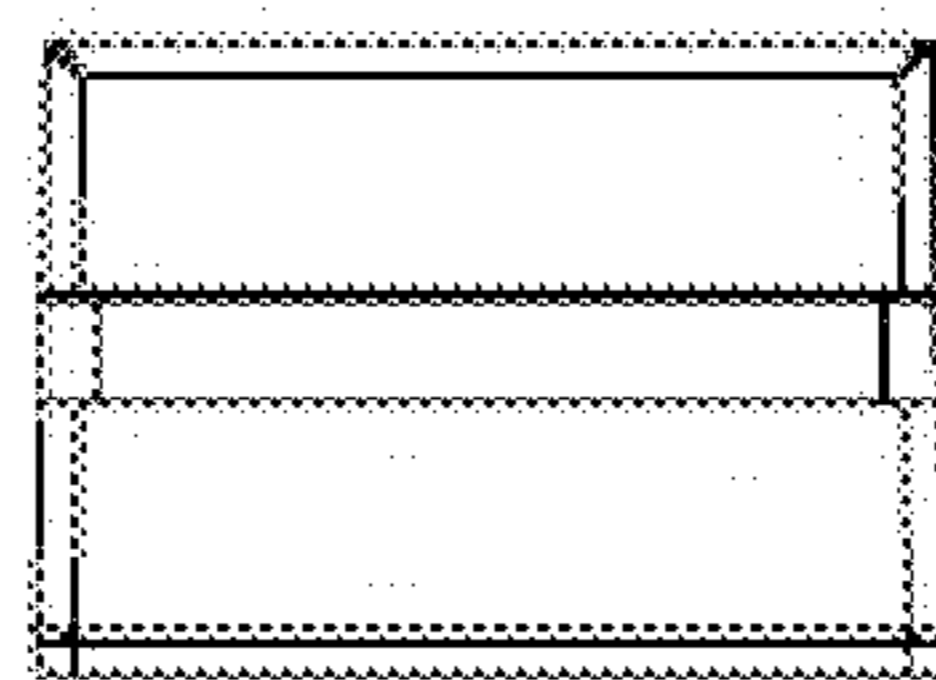


Fig. 11

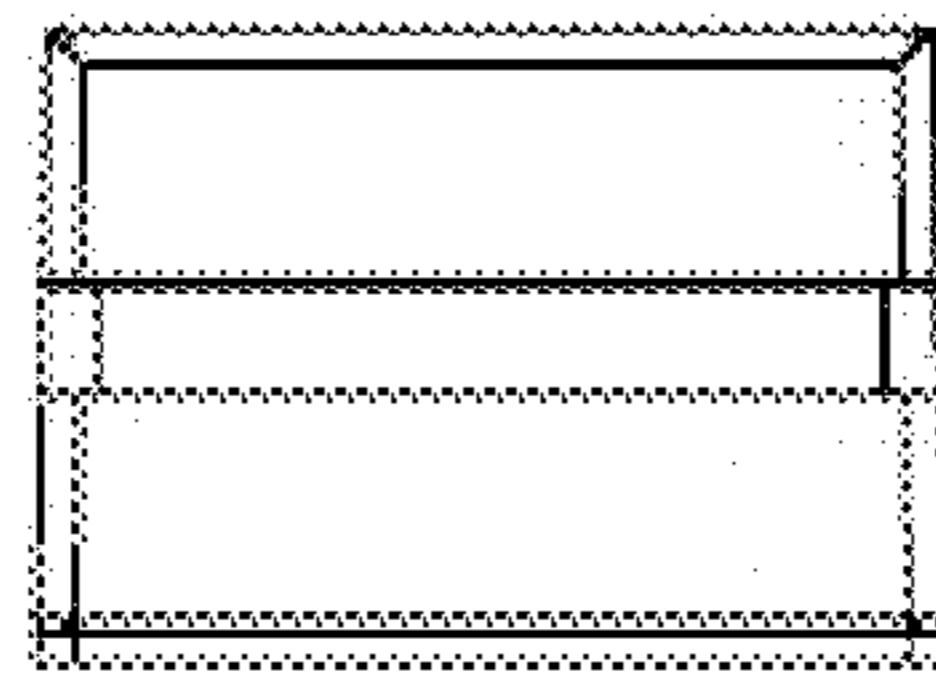


Fig. 12

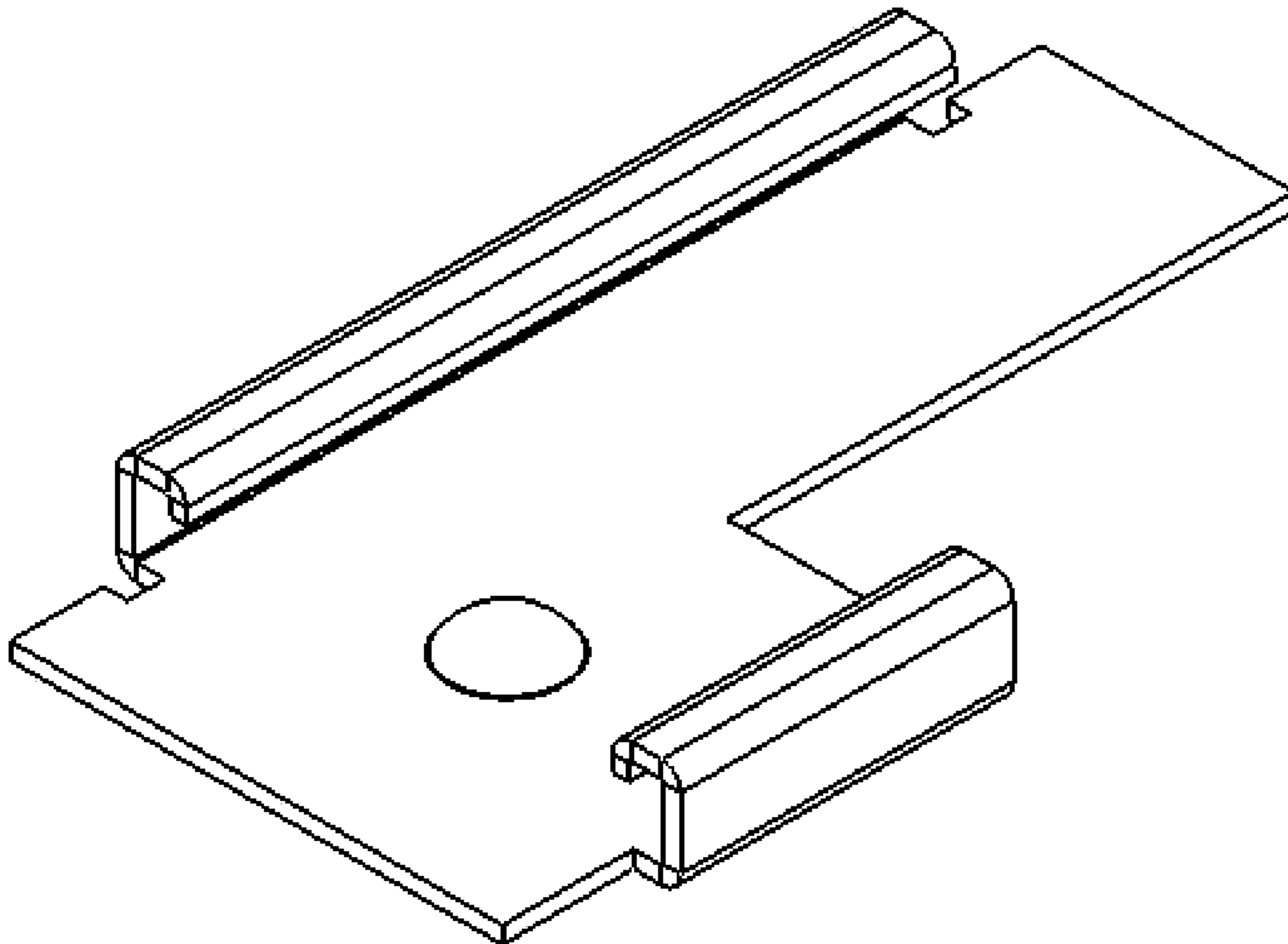


Fig. 13

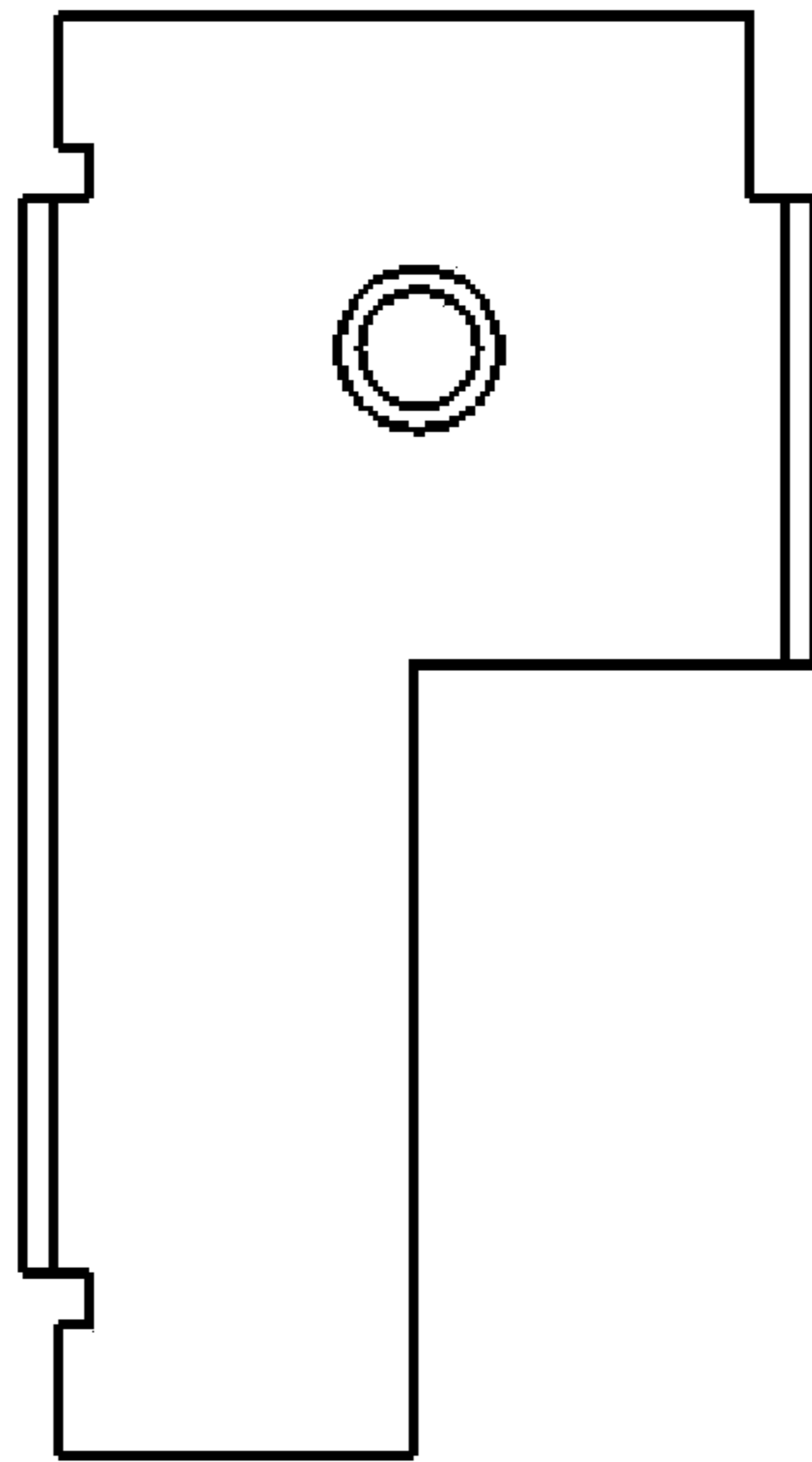


Fig. 14

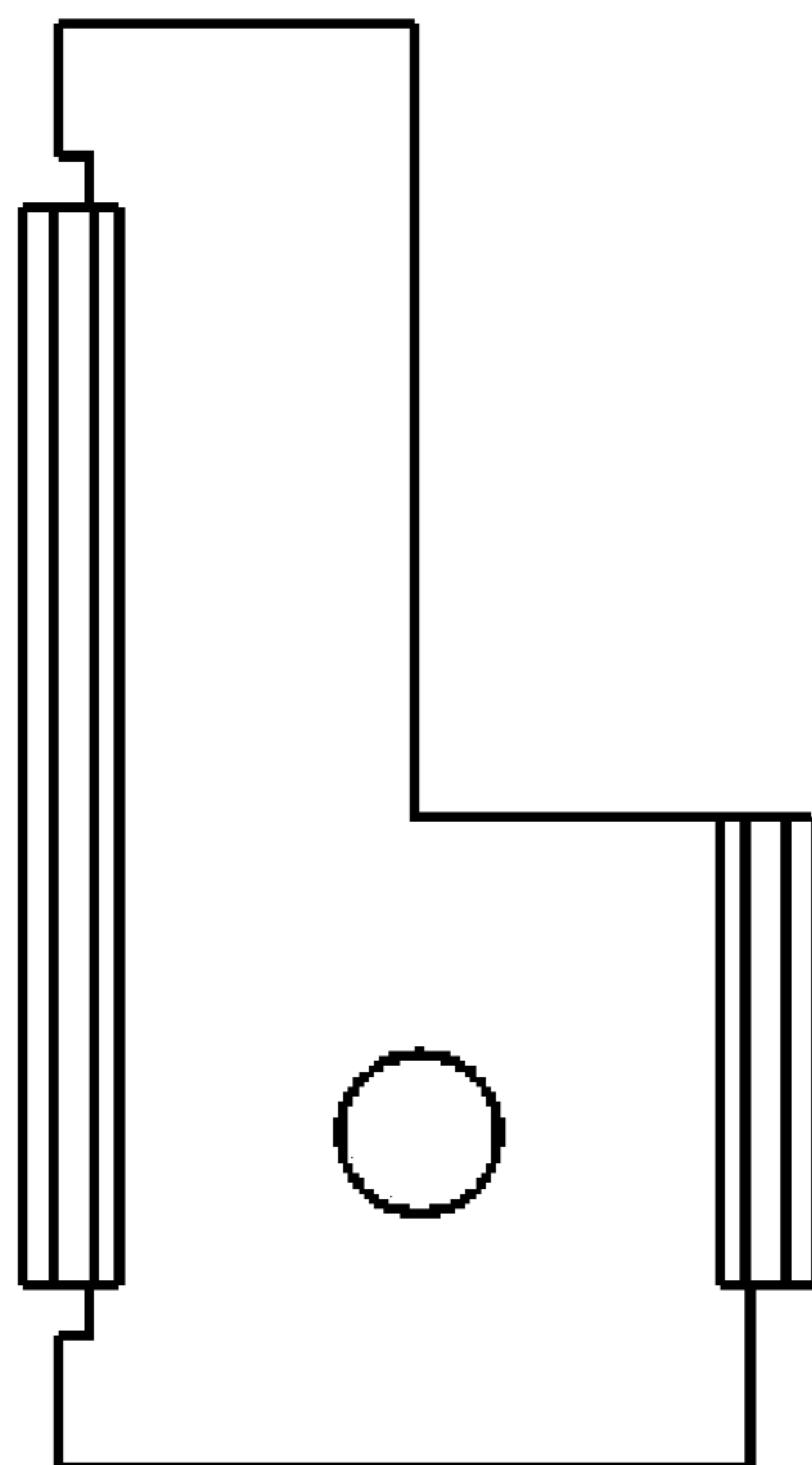


Fig. 15

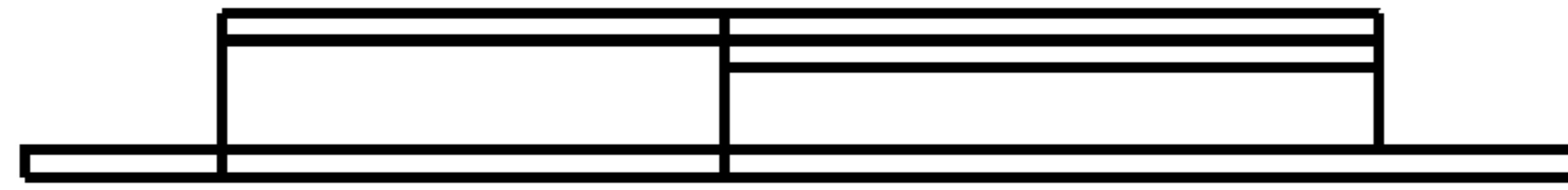


Fig. 16

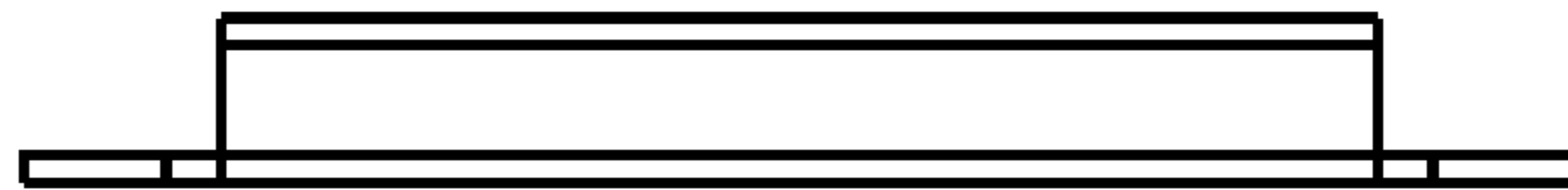


Fig. 17



Fig. 18