



US00D700377S

(12) **United States Design Patent**
Bucklen et al.

(10) **Patent No.:** **US D700,377 S**

(45) **Date of Patent:** **** Feb. 25, 2014**

(54) **LED LIGHT BULB**

(71) Applicant: **Rambus Delaware LLC**, Brecksville,
OH (US)

(72) Inventors: **Vincent C. Bucklen**, Chagrin Falls, OH
(US); **Joseph A. Hornung**, North
Royalton, OH (US); **Chia-Jung Chang**,
Luzhou (TW)

(73) Assignee: **Rambus Delaware LLC**, Brecksville,
OH (US)

(**) Term: **14 Years**

(21) Appl. No.: **29/452,995**

(22) Filed: **Apr. 24, 2013**

(51) **LOC (10) Cl.** **26-04**

(52) **U.S. Cl.**
USPC **D26/2**

(58) **Field of Classification Search**
USPC D26/1-4; 313/313, 315, 316, 317, 318,
313/493; 315/52, 53, 56, 57, 58

See application file for complete search history.

(56) **References Cited**

U.S. PATENT DOCUMENTS

D626,257 S	*	10/2010	Pickard	D26/2
D646,809 S	*	10/2011	Shi	D26/2
D647,638 S	*	10/2011	Eckert et al.	D26/2
D647,646 S	*	10/2011	Tsung	D26/2
D648,453 S	*	11/2011	Eckert et al.	D26/2
D670,412 S	*	11/2012	Parker et al.	D26/2

* cited by examiner

Primary Examiner — Marcus Jackson

(74) *Attorney, Agent, or Firm* — Renner, Otto, Boisselle &
Sklar, LLP

(57) **CLAIM**

The ornamental design for an LED light bulb, as shown and
described.

DESCRIPTION

FIG. 1 is a perspective view of an LED light bulb showing our
new design.

FIG. 2 is a front view thereof.

FIG. 3 is a rear view thereof.

FIG. 4 is a right side view thereof.

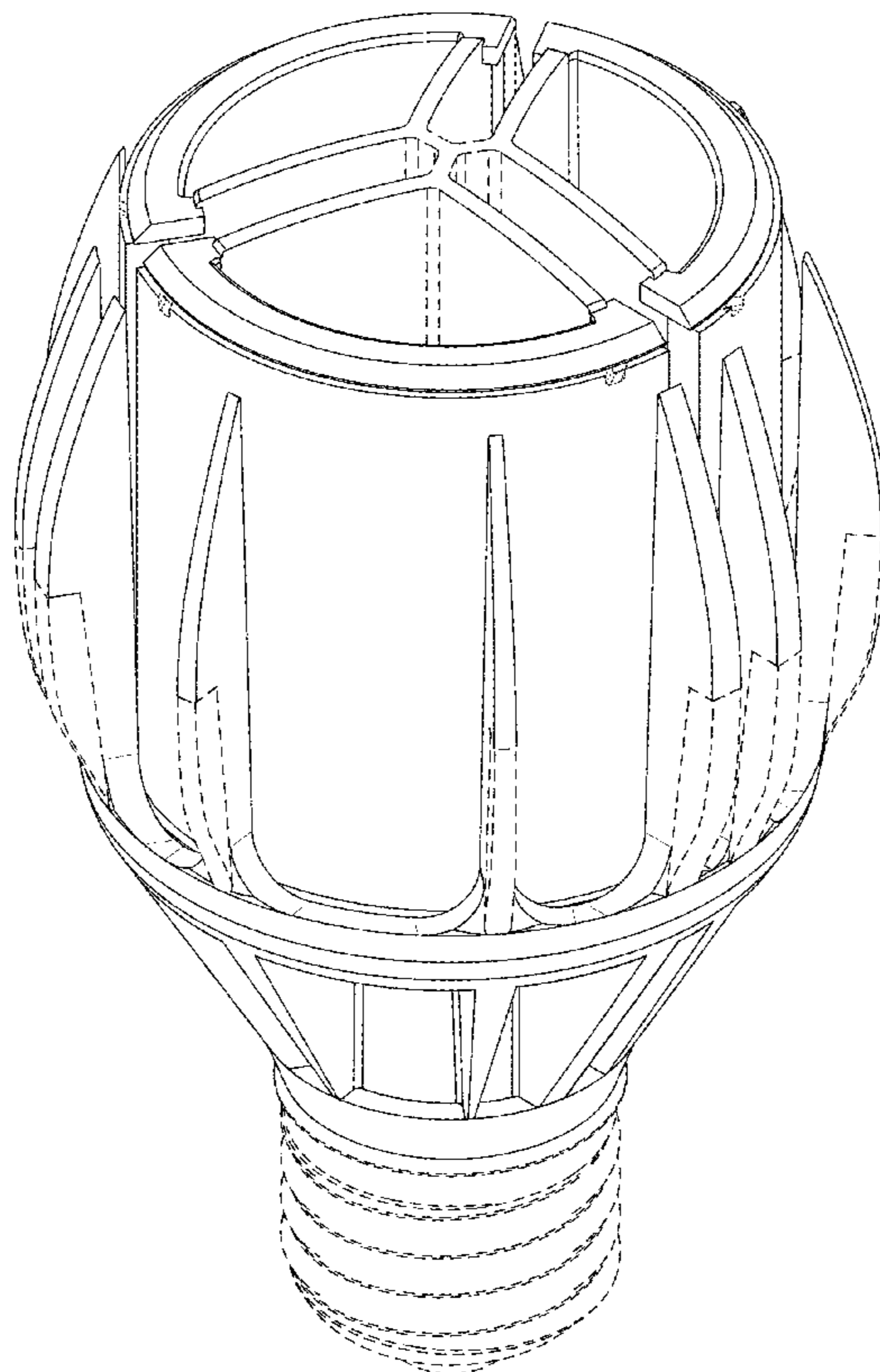
FIG. 5 is a left side view thereof.

FIG. 6 is a top view thereof; and,

FIG. 7 is a bottom view thereof.

The broken lines are for the purpose of illustrating portions of
the LED light bulb and form no part of the claimed design.

1 Claim, 7 Drawing Sheets



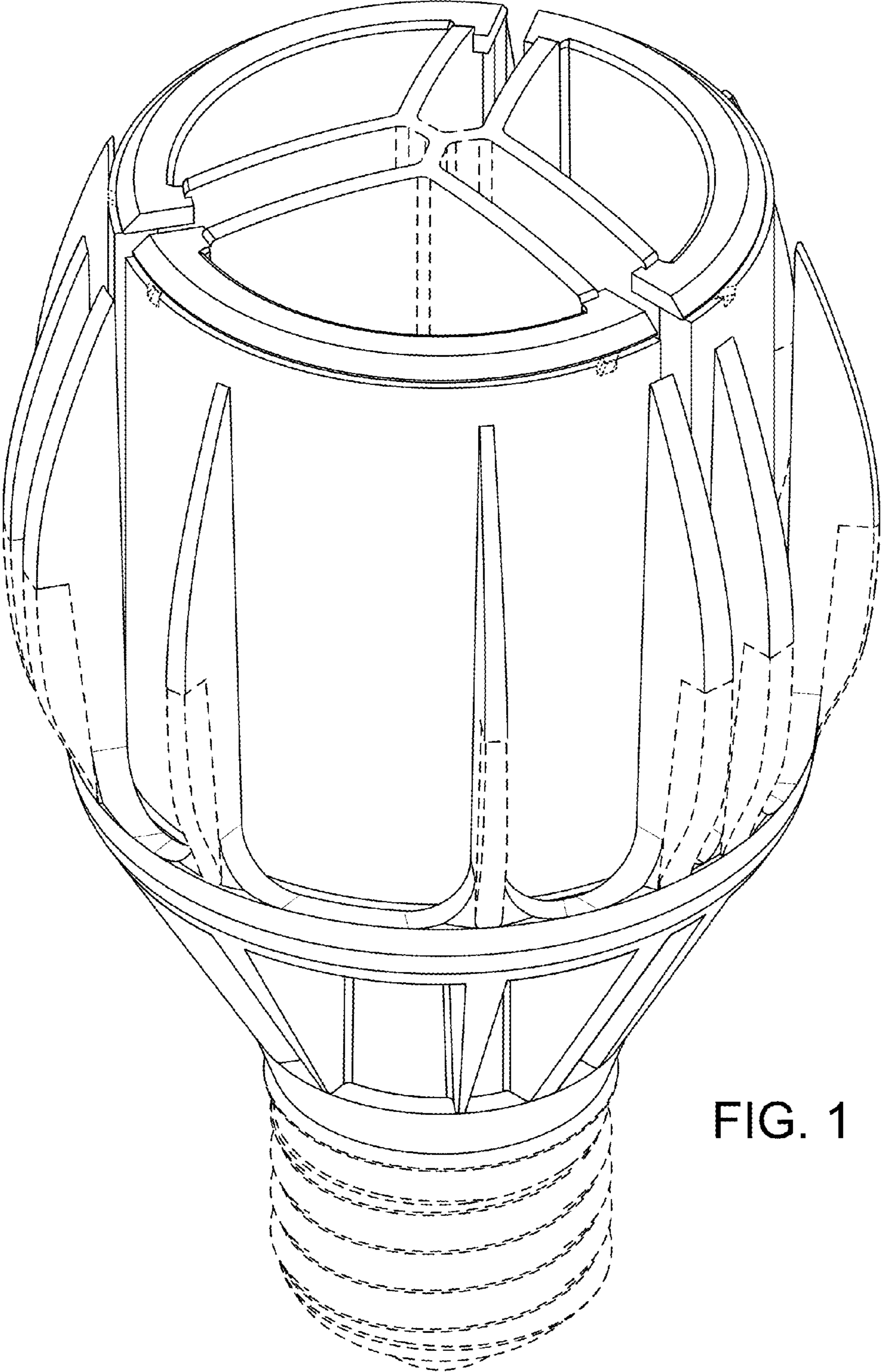


FIG. 1

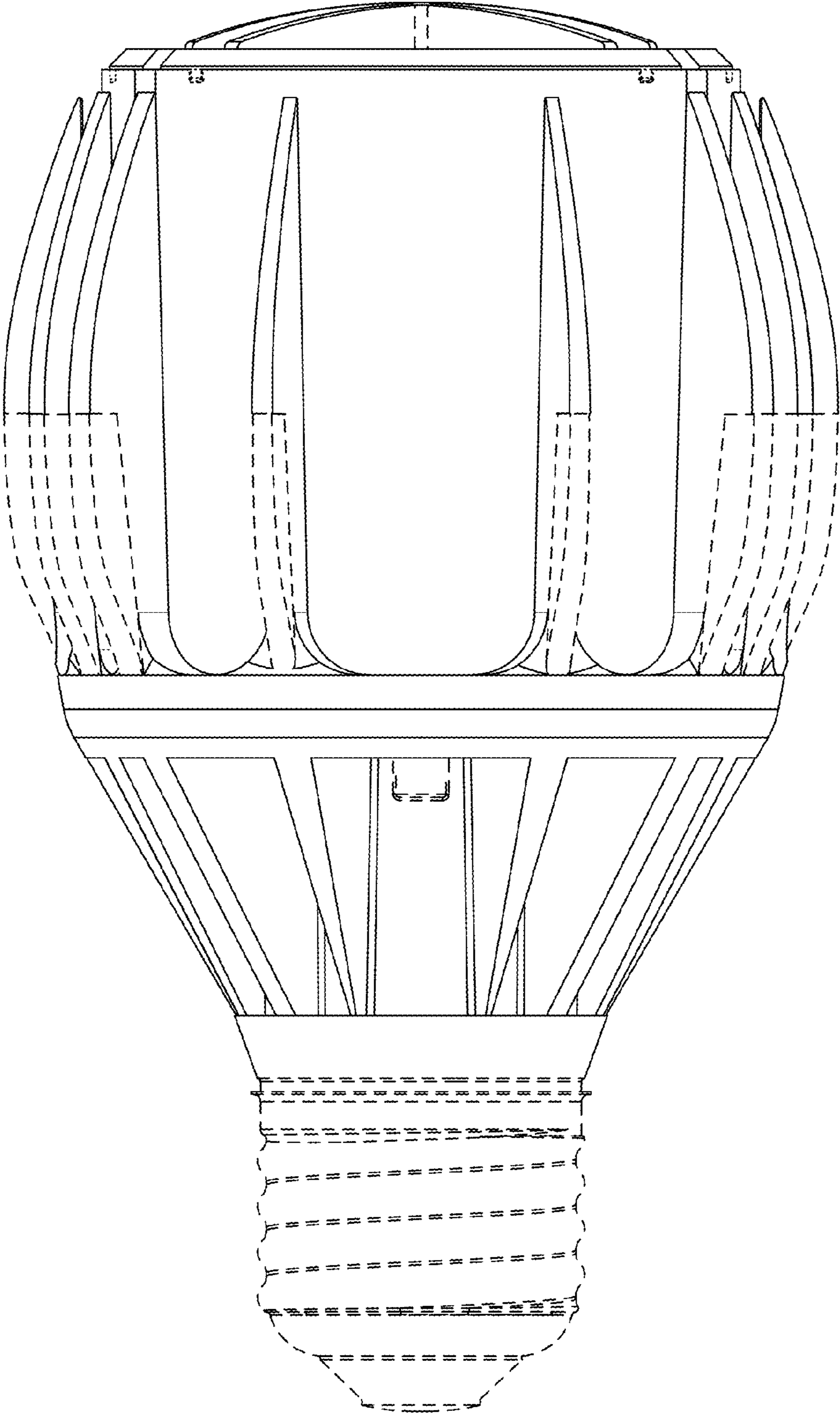


FIG. 2

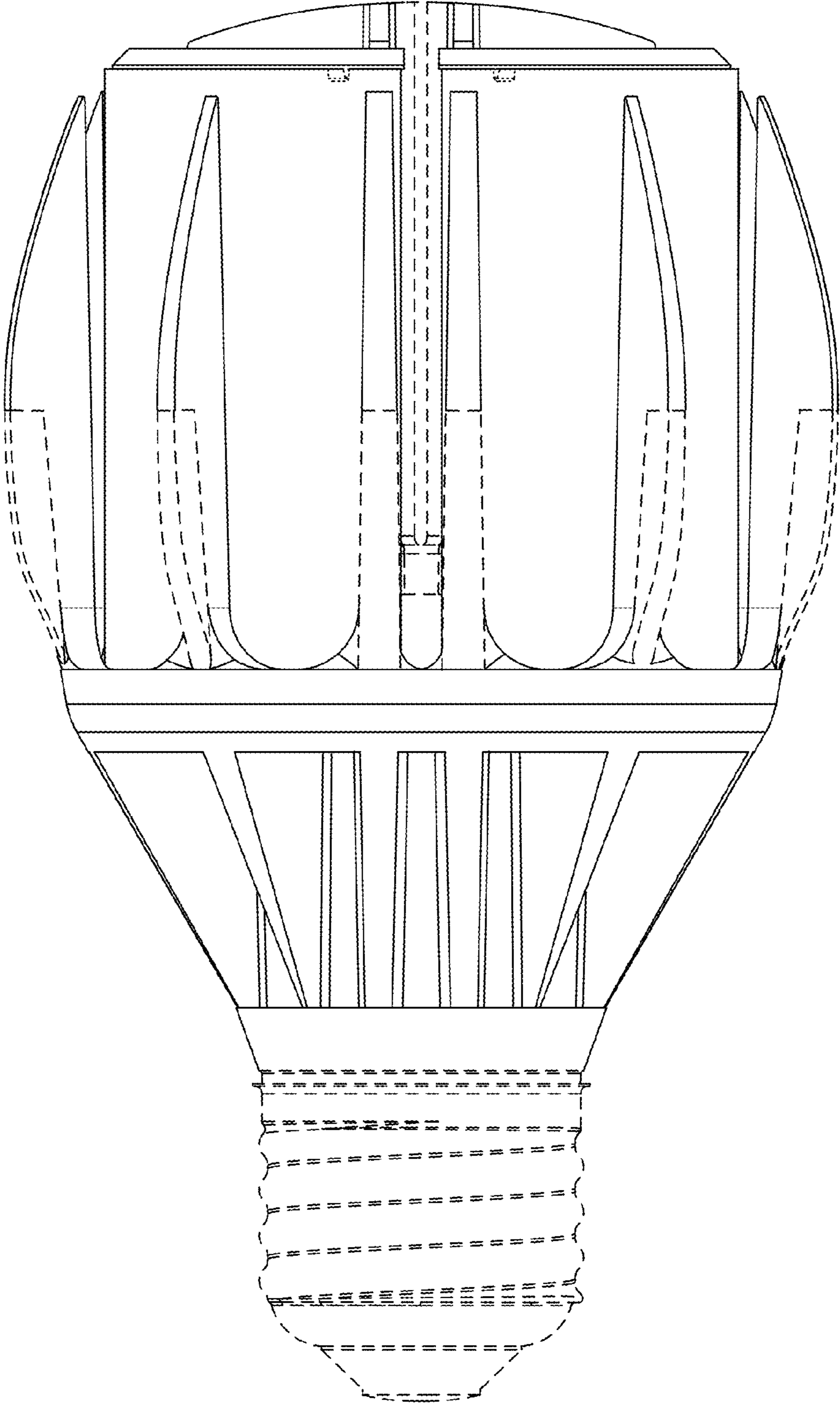


FIG. 3

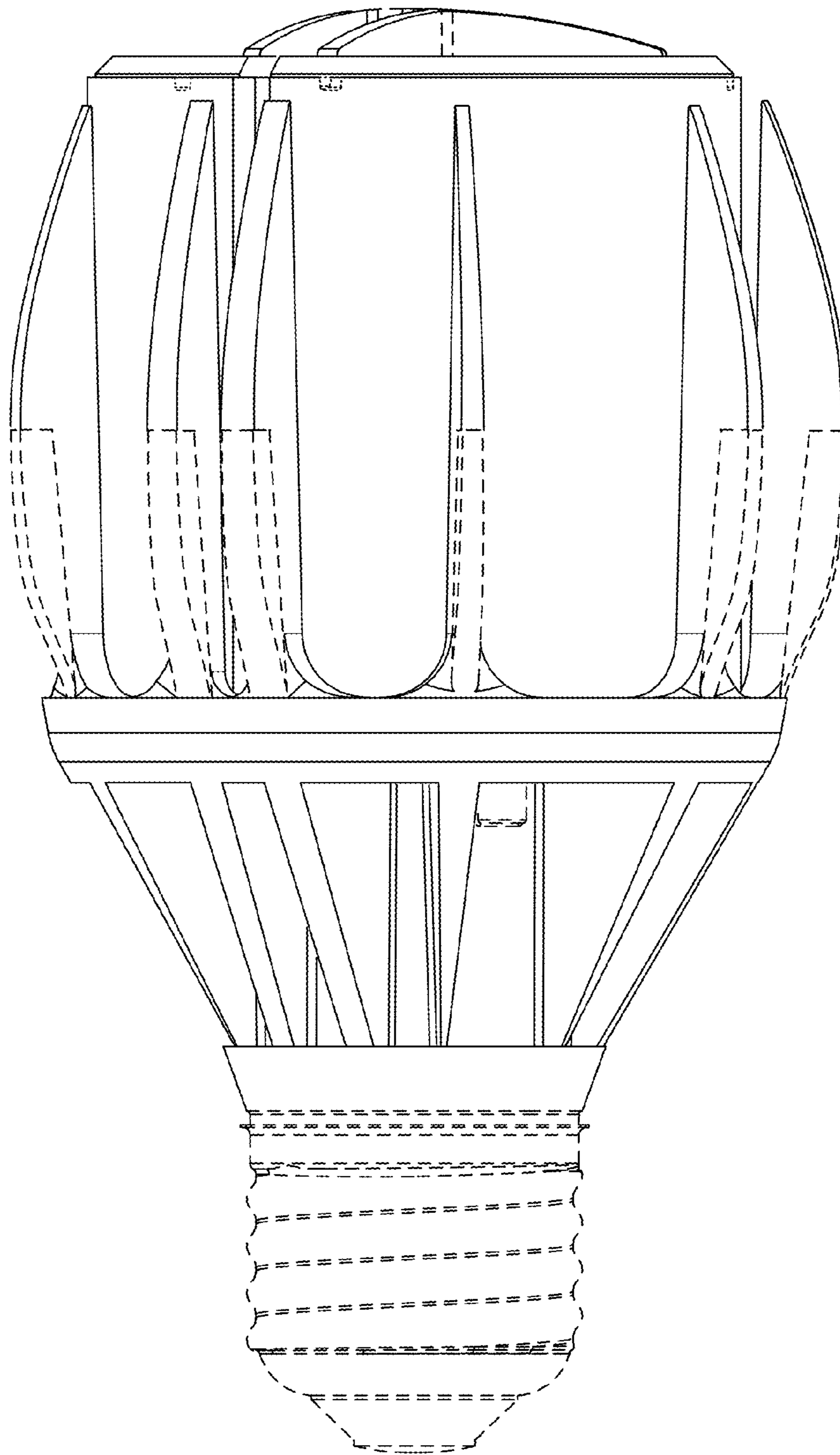


FIG. 4

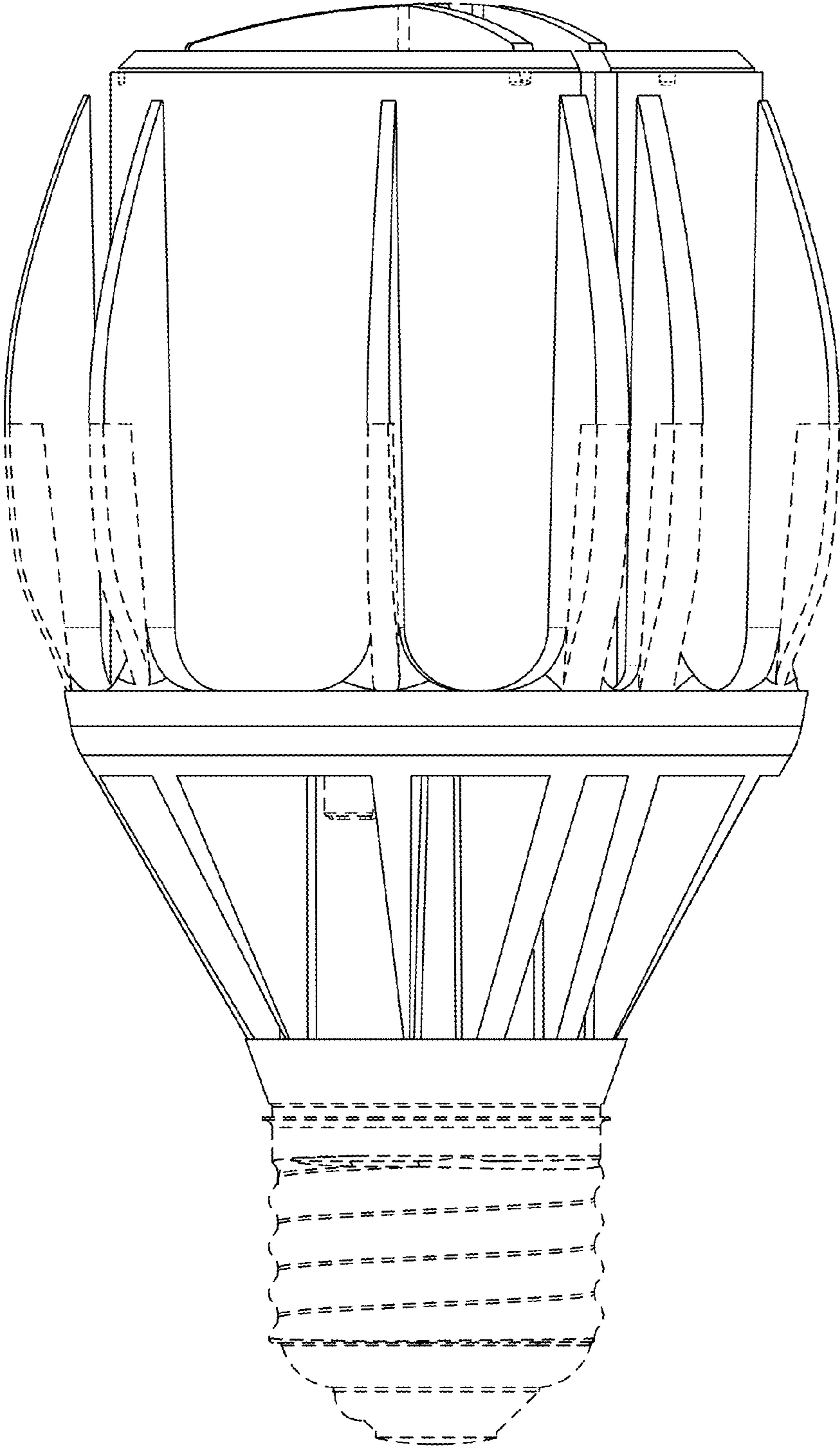


FIG. 5

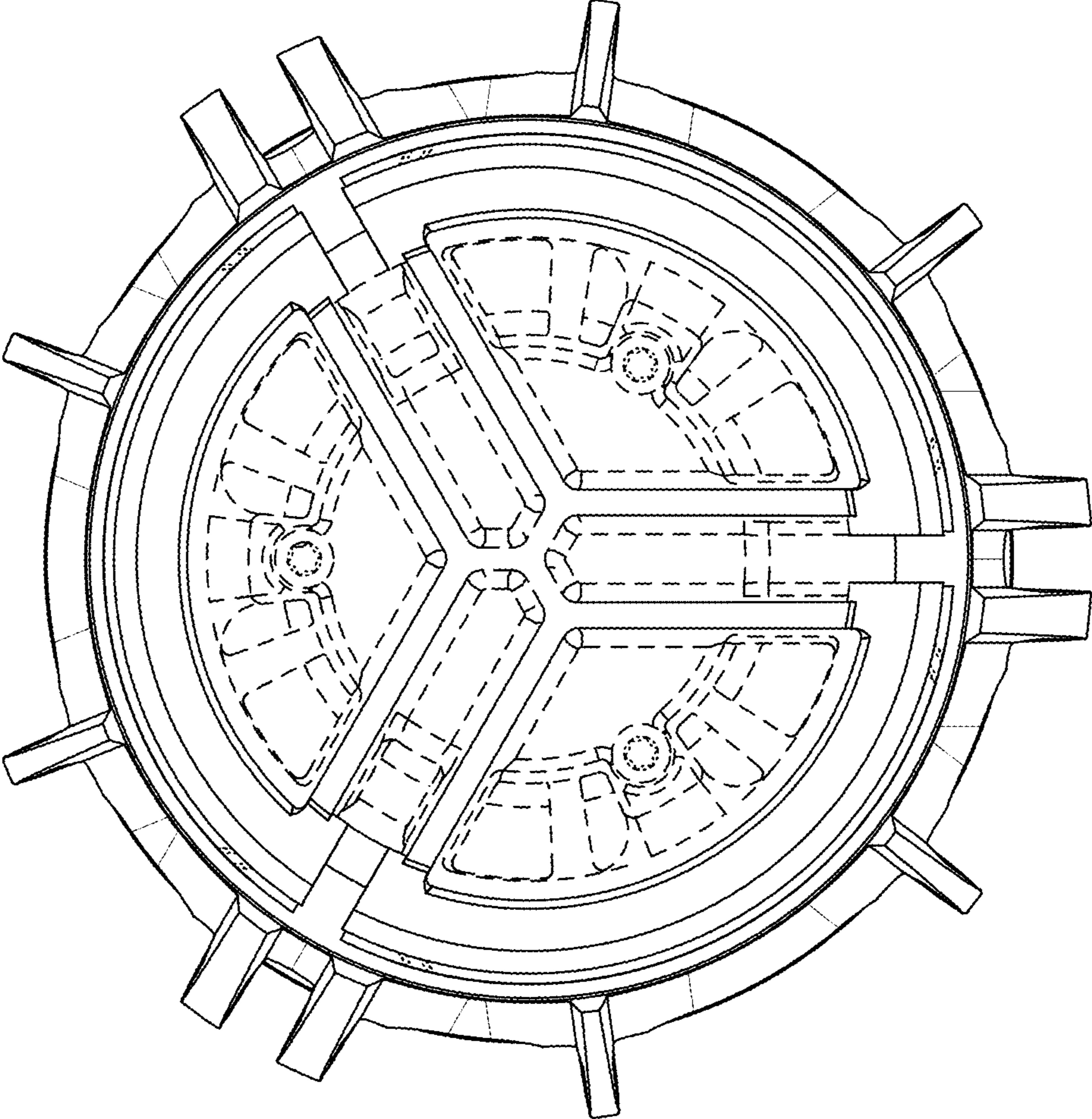


FIG. 6

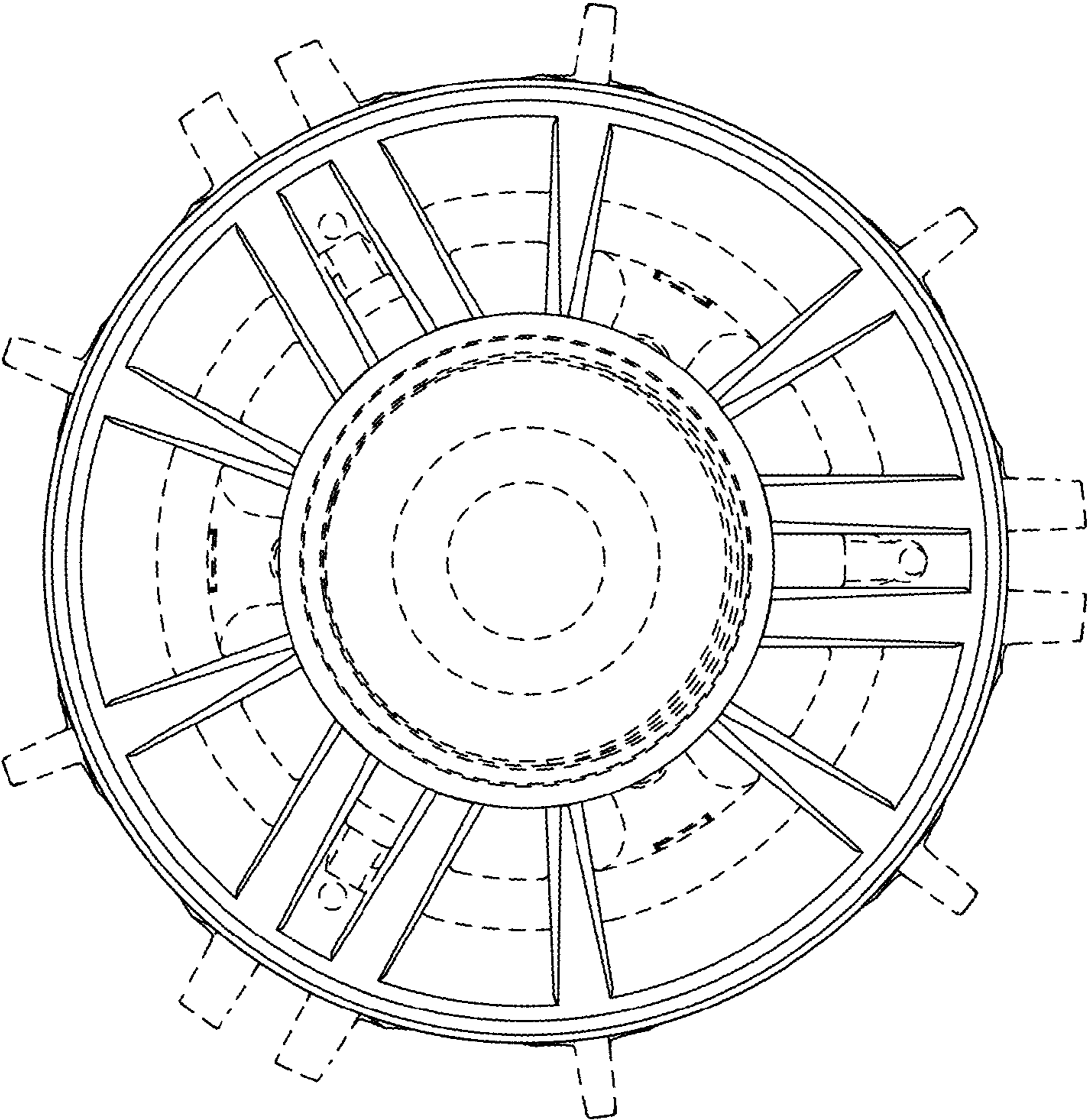


FIG. 7