



US00D700376S

(12) **United States Design Patent**
McManigal

(10) **Patent No.:** **US D700,376 S**

(45) **Date of Patent:** **** Feb. 25, 2014**

(54) **LIGHT BULB**

(71) Applicant: **Scott Paul McManigal**, Newport Beach,
CA (US)

(72) Inventor: **Scott Paul McManigal**, Newport Beach,
CA (US)

(73) Assignee: **Vizio Inc.**, Irvine, CA (US)

(**) Term: **14 Years**

(21) Appl. No.: **29/451,299**

(22) Filed: **Mar. 29, 2013**

(51) **LOC (10) Cl.** **26-04**

(52) **U.S. Cl.**
USPC **D26/2**

(58) **Field of Classification Search**
USPC D26/1-4; 313/313, 315, 316, 317, 318,
313/493; 315/52, 53, 56, 57, 58

See application file for complete search history.

(56) **References Cited**

U.S. PATENT DOCUMENTS

D626,257 S *	10/2010	Pickard	D26/2
D646,809 S *	10/2011	Shi	D26/2
D647,638 S *	10/2011	Eckert et al.	D26/2
D647,646 S *	10/2011	Tsung	D26/2
D670,412 S *	11/2012	Parker et al.	D26/2

* cited by examiner

Primary Examiner — Marcus Jackson

(74) *Attorney, Agent, or Firm* — Law Office of Scott C. Harris, Inc.

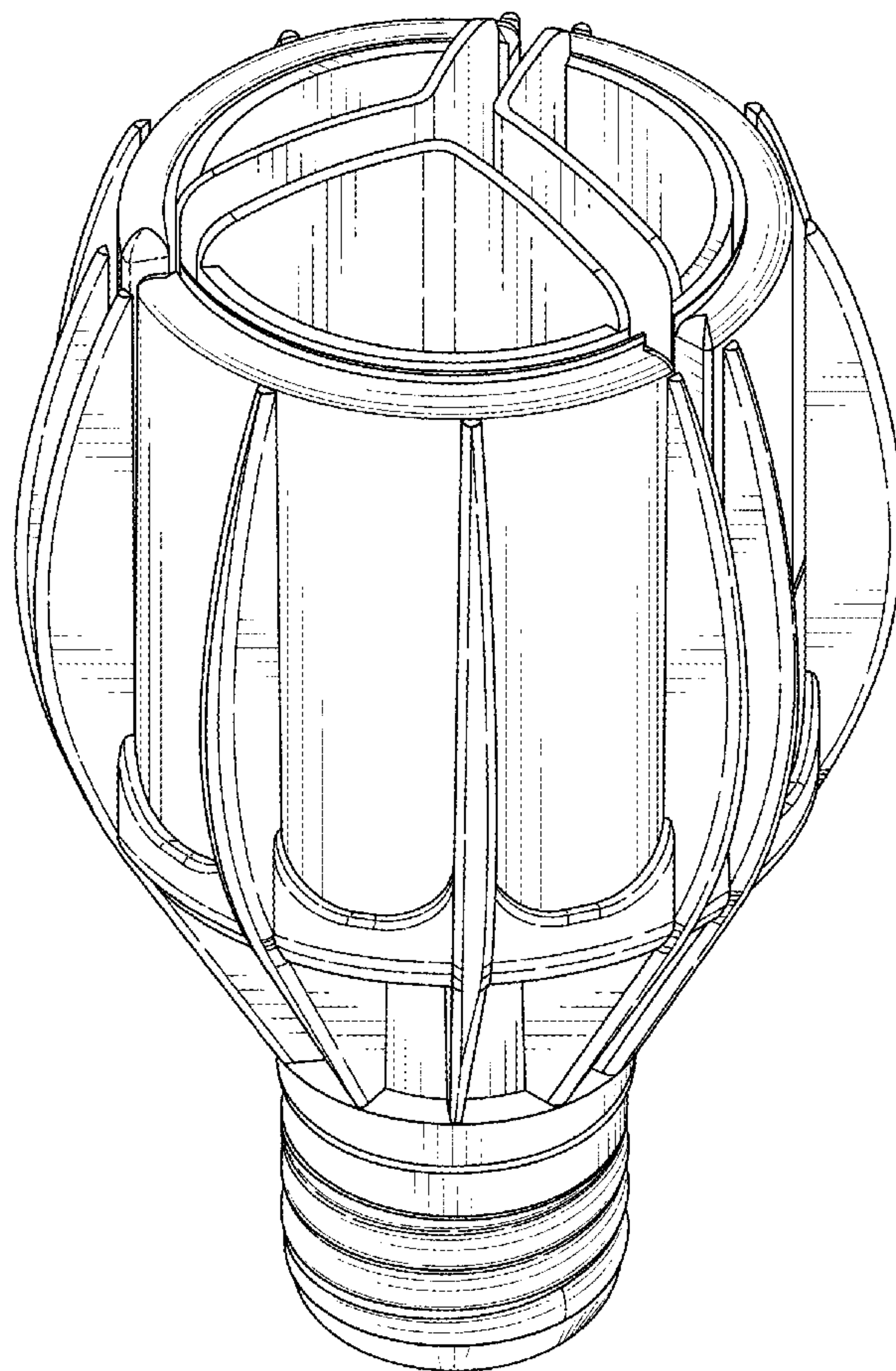
(57) **CLAIM**

I claim the ornamental design for a light bulb, as shown and described.

DESCRIPTION

FIG. 1 is a top perspective view of the light bulb;
FIG. 2 is a first side view of the light bulb;
FIG. 3 shows a second side view of the light bulb;
FIG. 4 shows a third side view of the light bulb;
FIG. 5 shows a fourth side view of the light bulb;
FIG. 6 shows a top view of the light bulb; and,
FIG. 7 shows a bottom view of the light bulb.

1 Claim, 7 Drawing Sheets



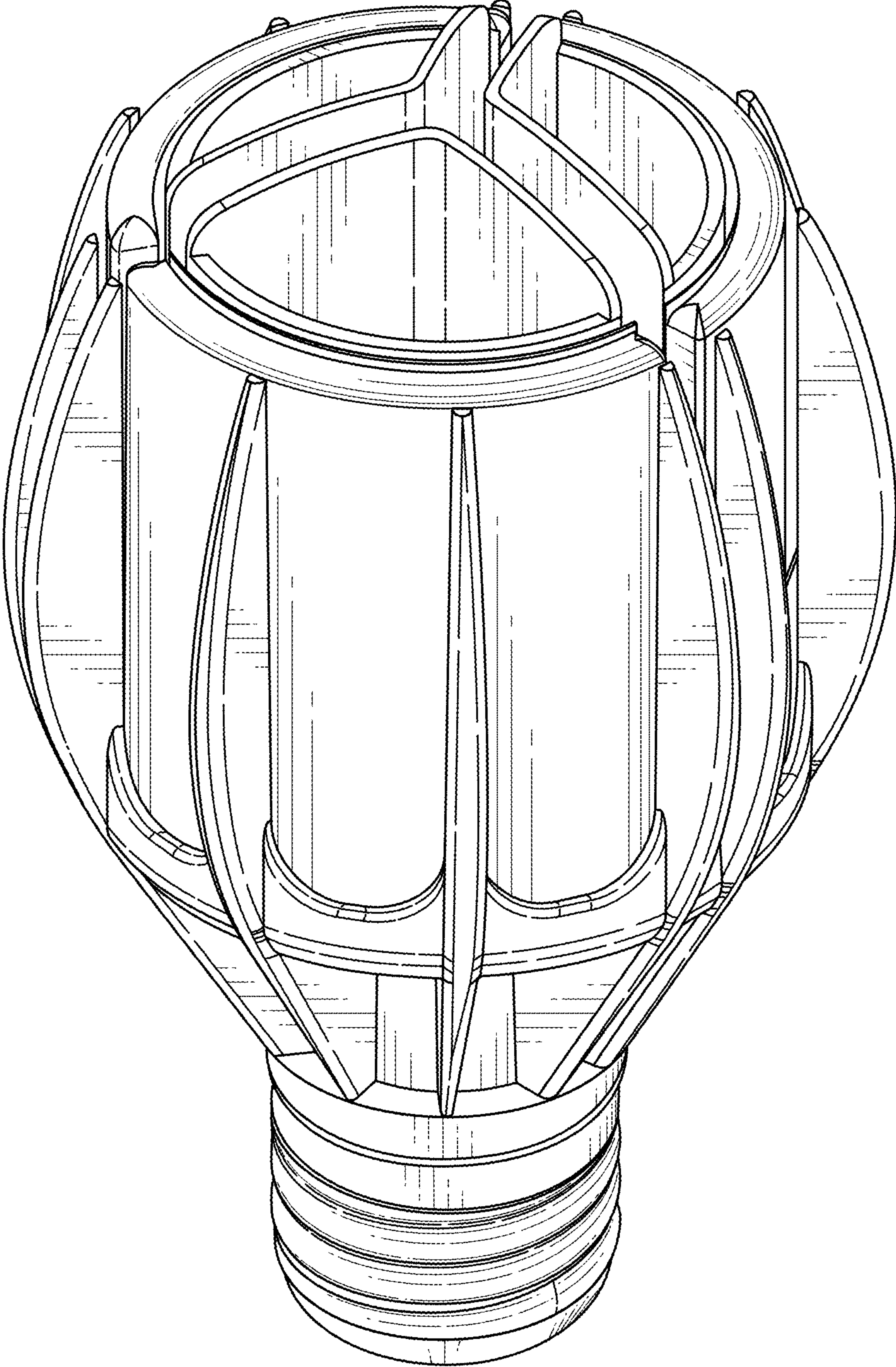


FIG. 1

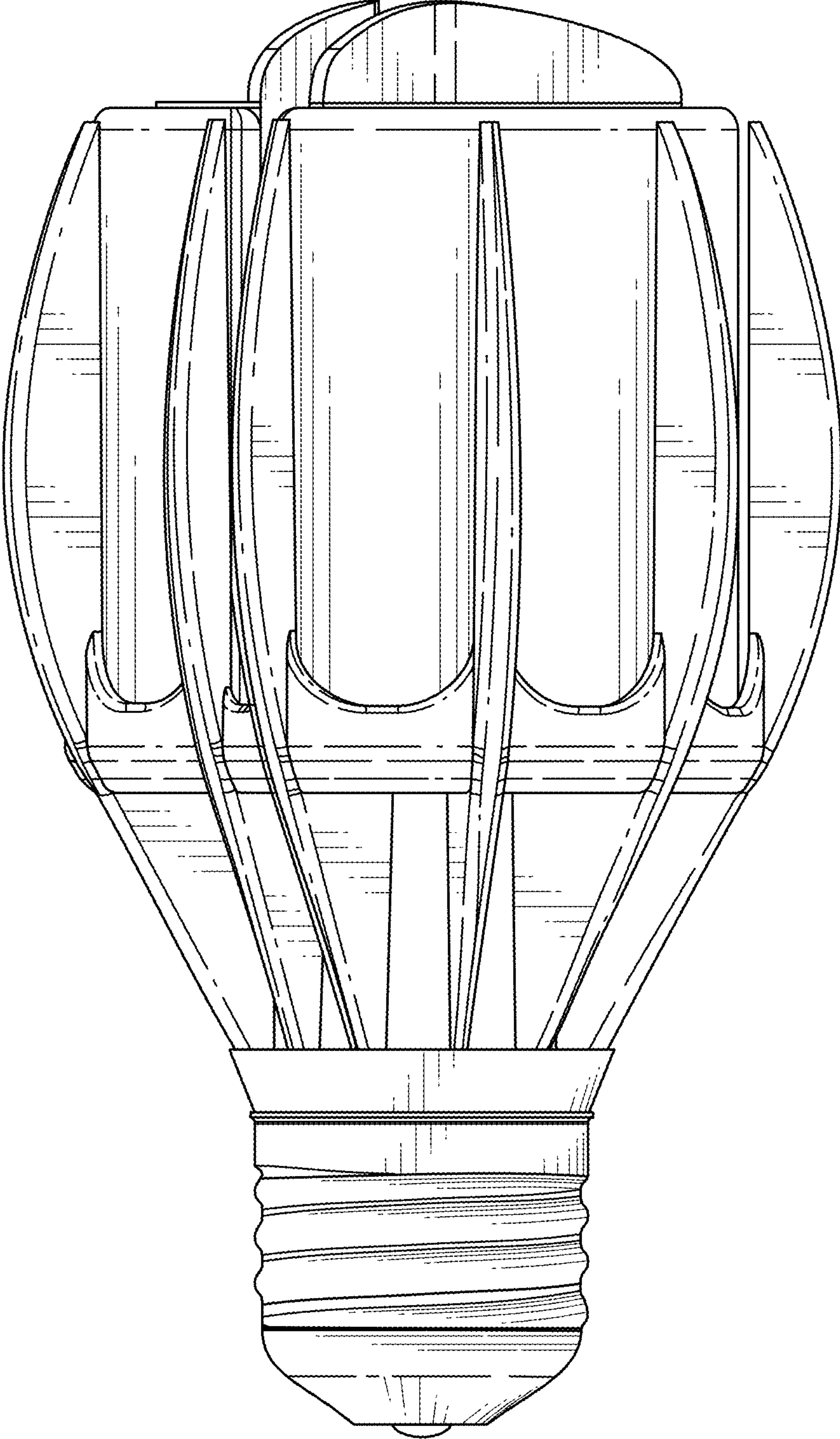


FIG. 2

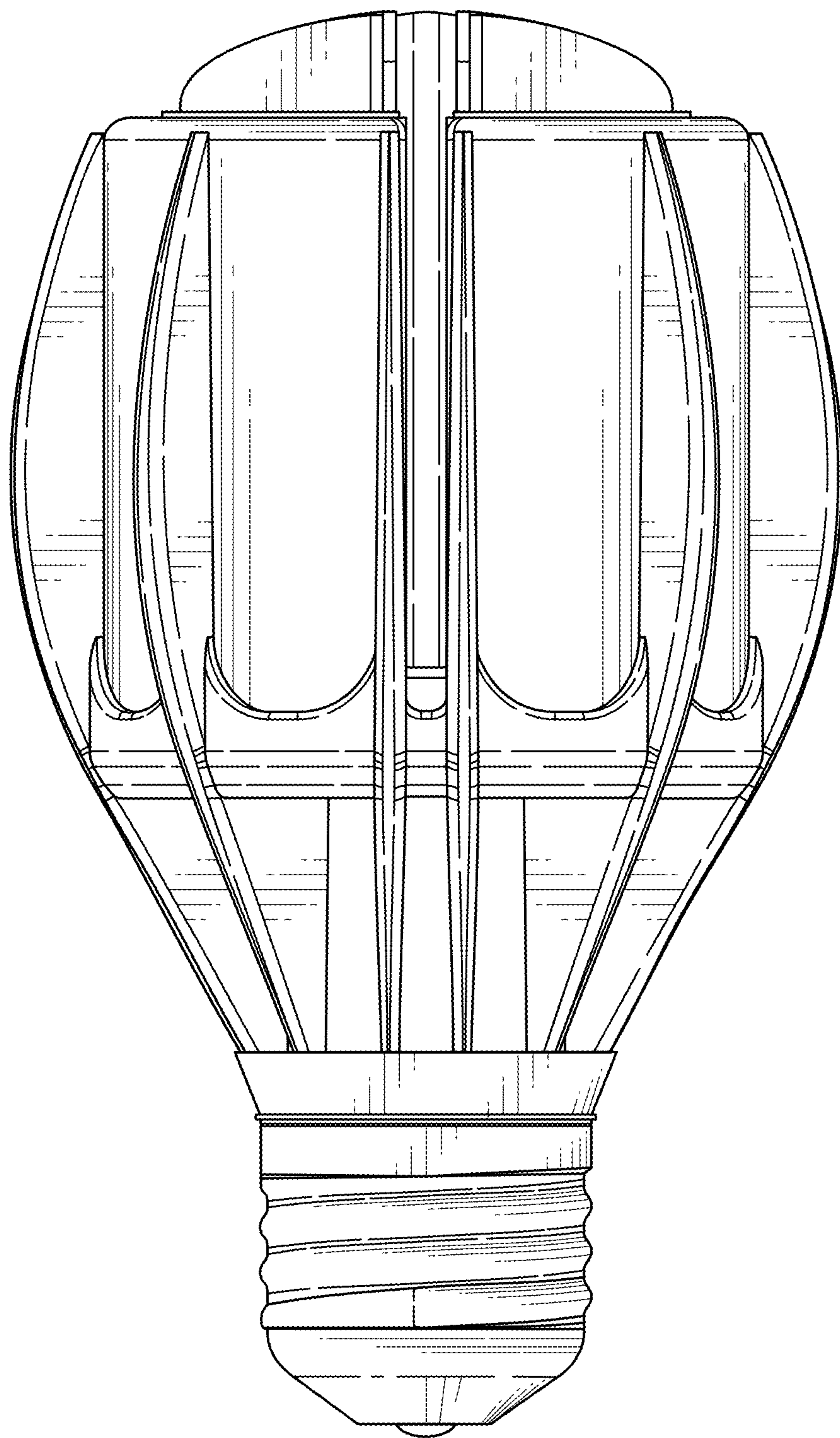


FIG. 3

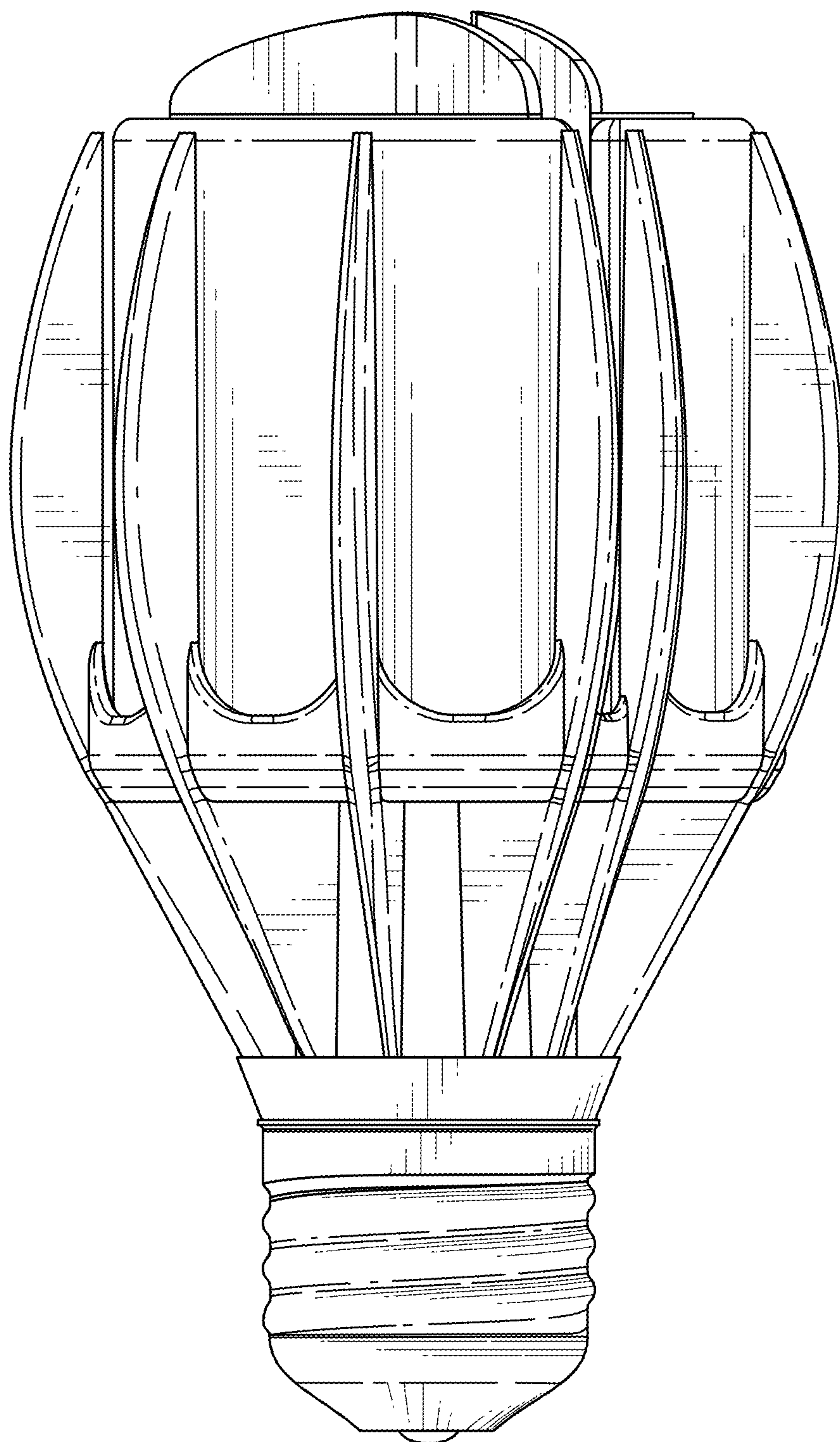


FIG. 4

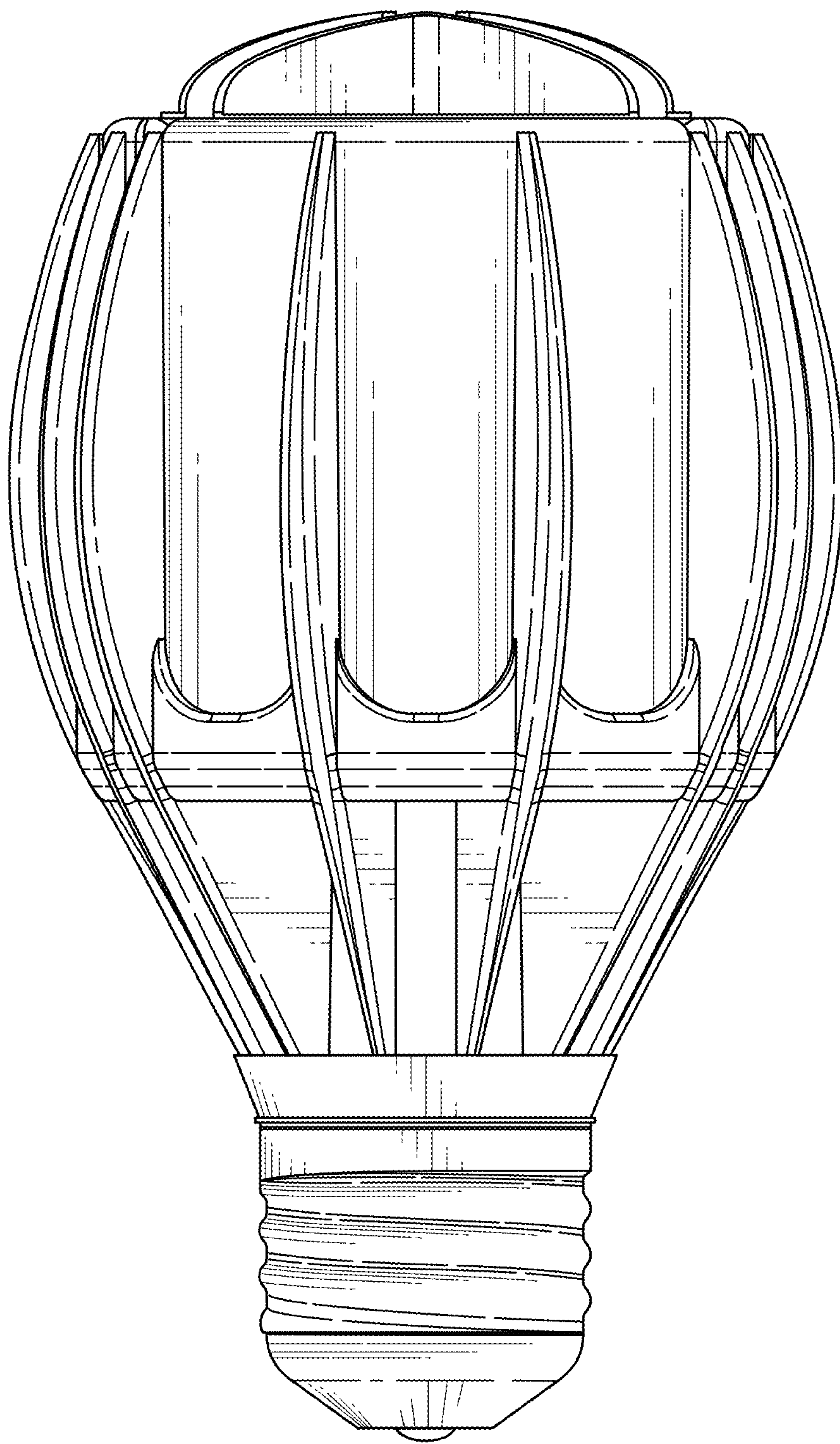


FIG. 5

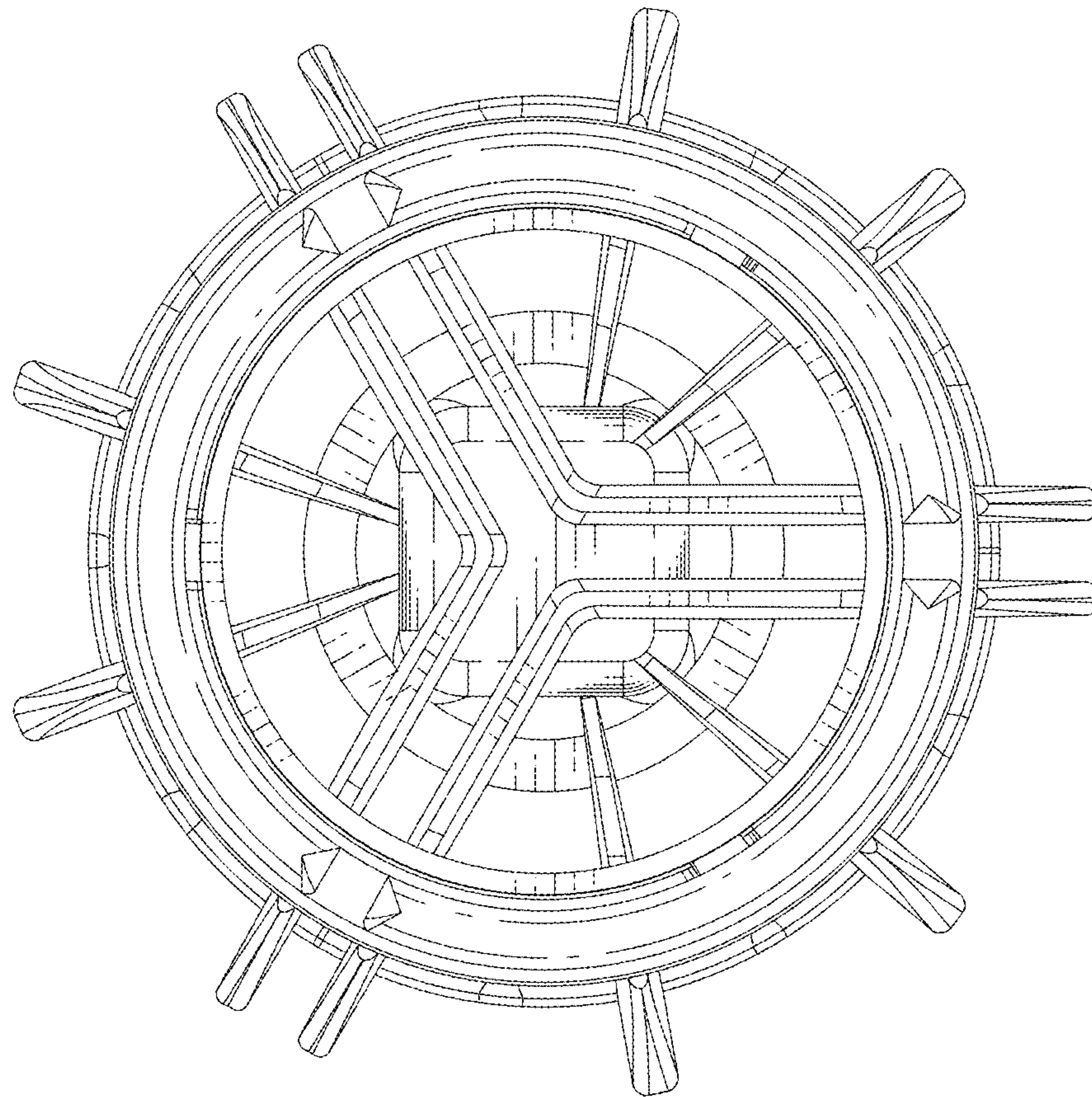


FIG. 6

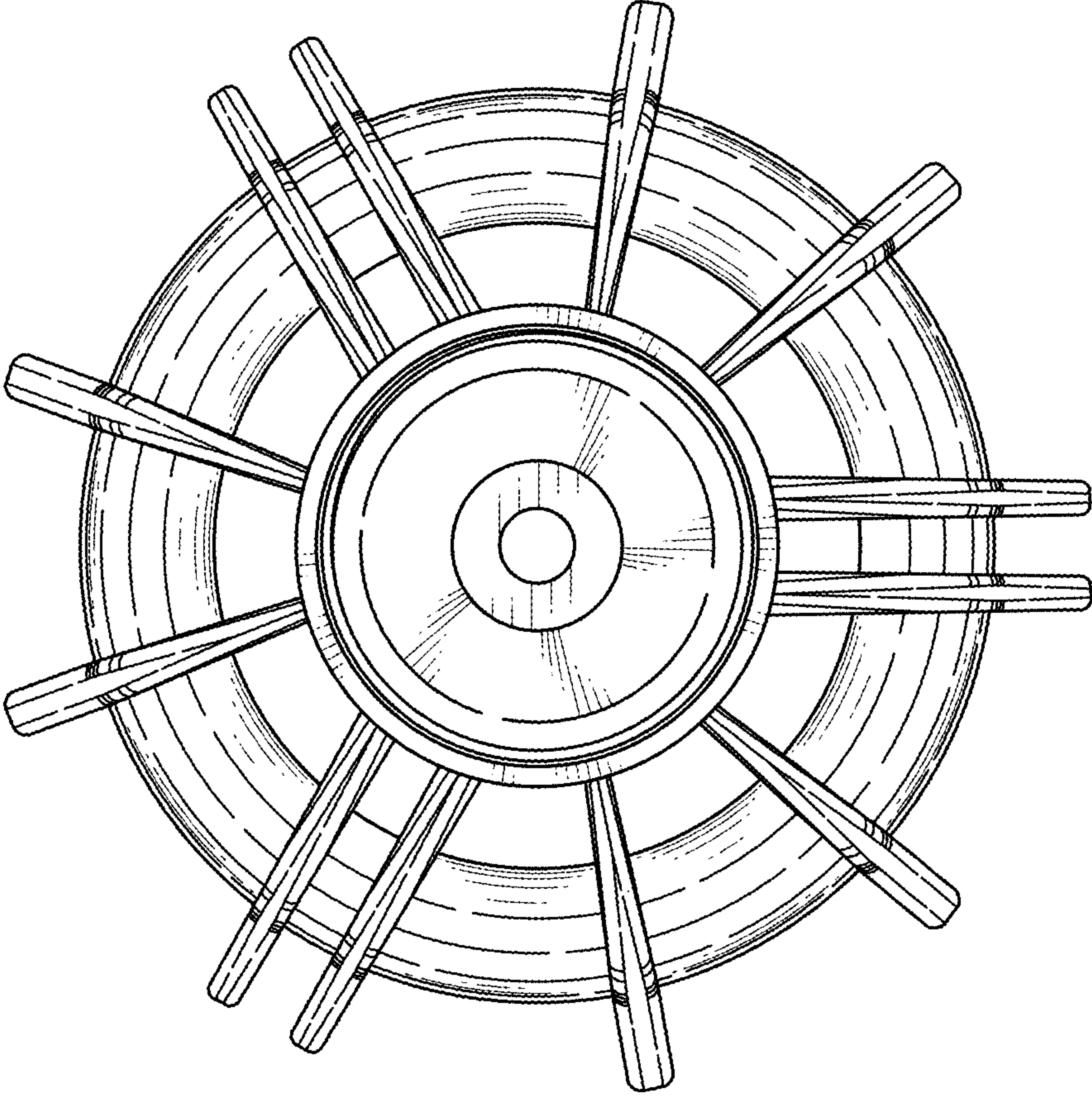


FIG. 7