



US00D700375S

(12) **United States Design Patent**
Hashimoto

(10) **Patent No.:** **US D700,375 S**

(45) **Date of Patent:** **** Feb. 25, 2014**

- (54) **LIGHT-EMITTING DIODE LAMP**
- (71) Applicant: **Panasonic Corporation**, Osaka (JP)
- (72) Inventor: **Naotaka Hashimoto**, Osaka (JP)
- (73) Assignee: **Panasonic Corporation**, Osaka (JP)
- (**) Term: **14 Years**
- (21) Appl. No.: **29/441,825**
- (22) Filed: **Jan. 10, 2013**

D538,950 S *	3/2007	Maxik	D26/2
D538,953 S *	3/2007	Mama	D26/2
D548,369 S *	8/2007	Bembridge et al.	D26/2
D549,360 S *	8/2007	An	D26/2
D662,625 S *	6/2012	Yamamoto et al.	D26/2

* cited by examiner

Primary Examiner — Marcus Jackson

(74) *Attorney, Agent, or Firm* — Panasonic Patent Center

(57) **CLAIM**

I claim the ornamental design for a light-emitting diode lamp, as shown and described.

DESCRIPTION

- (30) **Foreign Application Priority Data**
Sep. 24, 2012 (JP) 2012-023002
- (51) **LOC (10) Cl.** **26-04**
- (52) **U.S. Cl.**
USPC **D26/2**
- (58) **Field of Classification Search**
USPC D26/1-4; 313/313, 315, 316, 317, 318,
313/493; 315/52, 53, 56, 57, 58
See application file for complete search history.

FIG. 1 is a top perspective view of a light-emitting diode lamp of the present invention;
 FIG. 2 is a front view thereof;
 FIG. 3 is a rear view thereof;
 FIG. 4 is a first side view thereof;
 FIG. 5 is a second side view thereof;
 FIG. 6 is a top view thereof; and,
 FIG. 7 is a bottom view thereof.

The broken line showing of light-emitting diode lamp is included for the purpose of illustrating environment and forms no part of the claimed design. Additionally, the unevenly broken lines in the drawings define the limits of the claimed design.

(56) **References Cited**

U.S. PATENT DOCUMENTS

D531,741 S *	11/2006	Takahashi	D26/2
D535,038 S	1/2007	Egawa et al.	

1 Claim, 7 Drawing Sheets

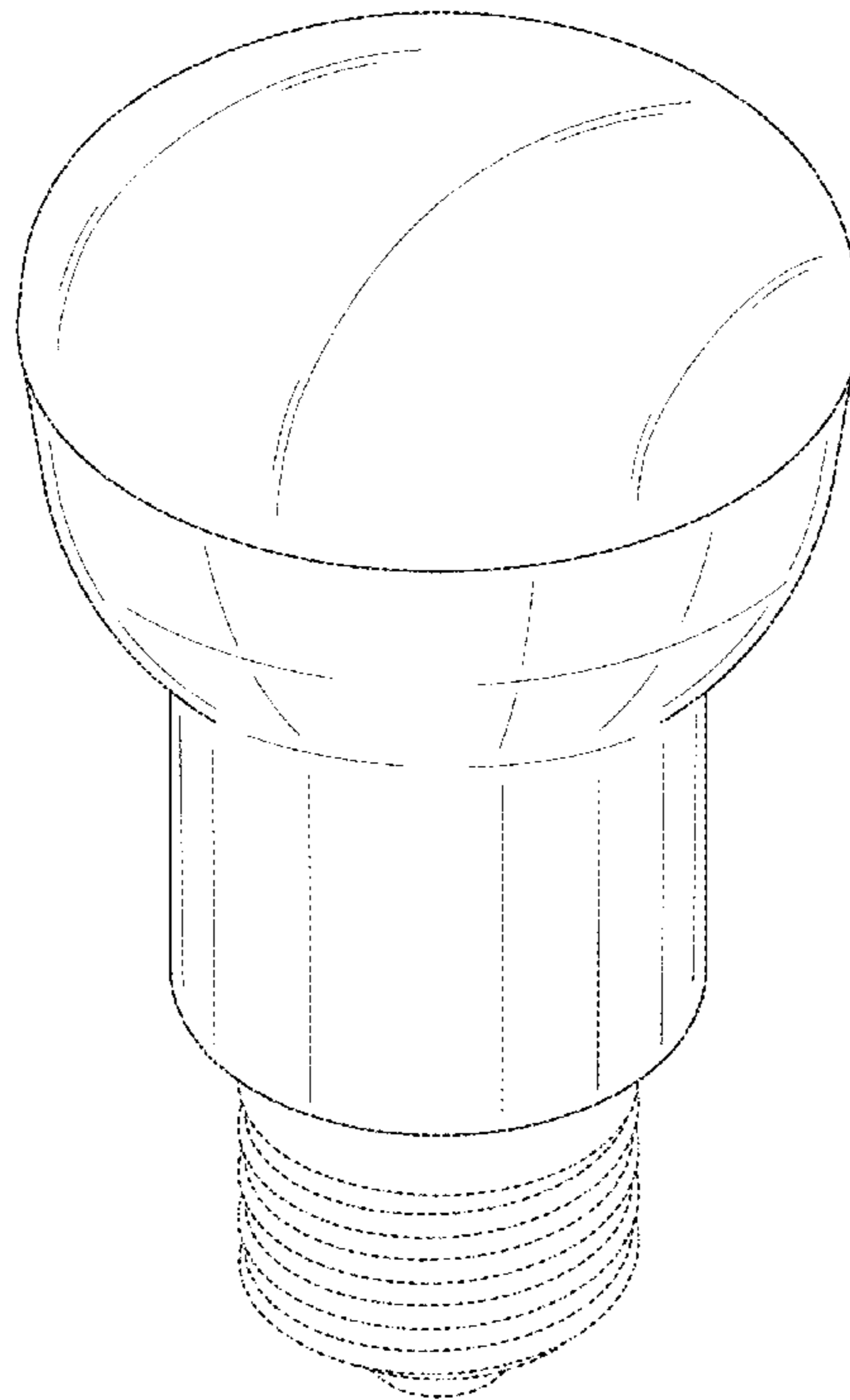


FIG. 1

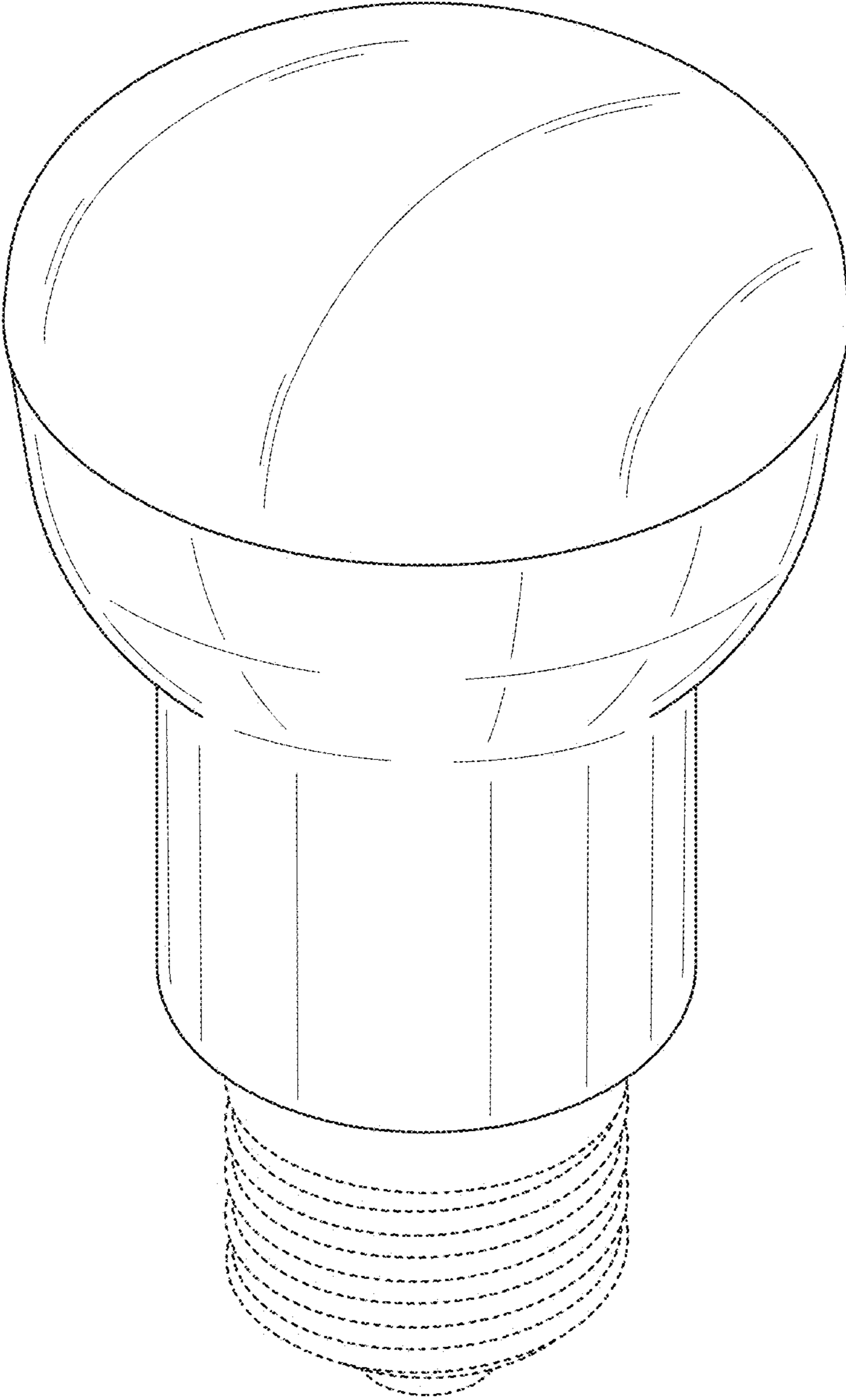


FIG. 2

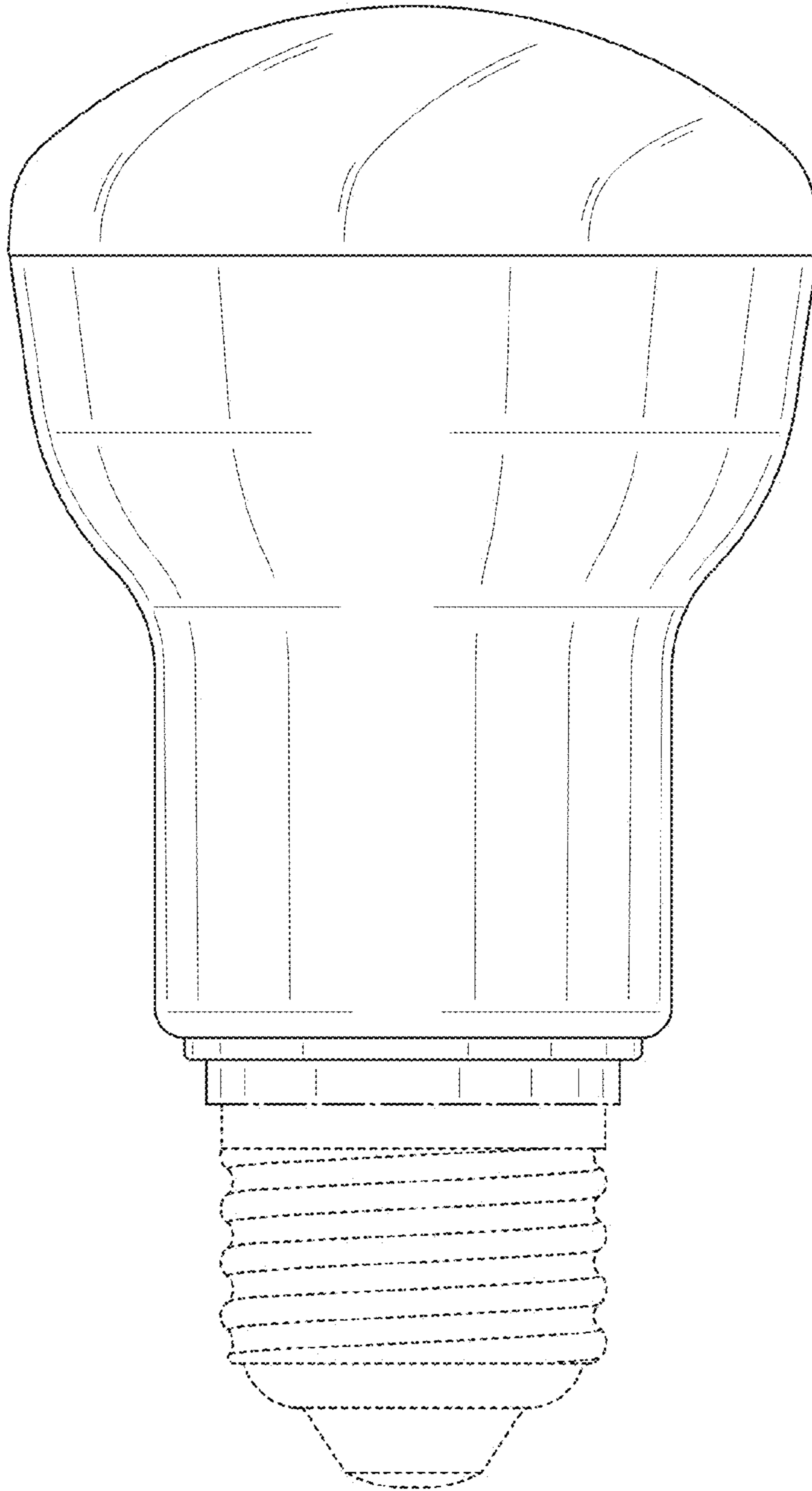


FIG. 3

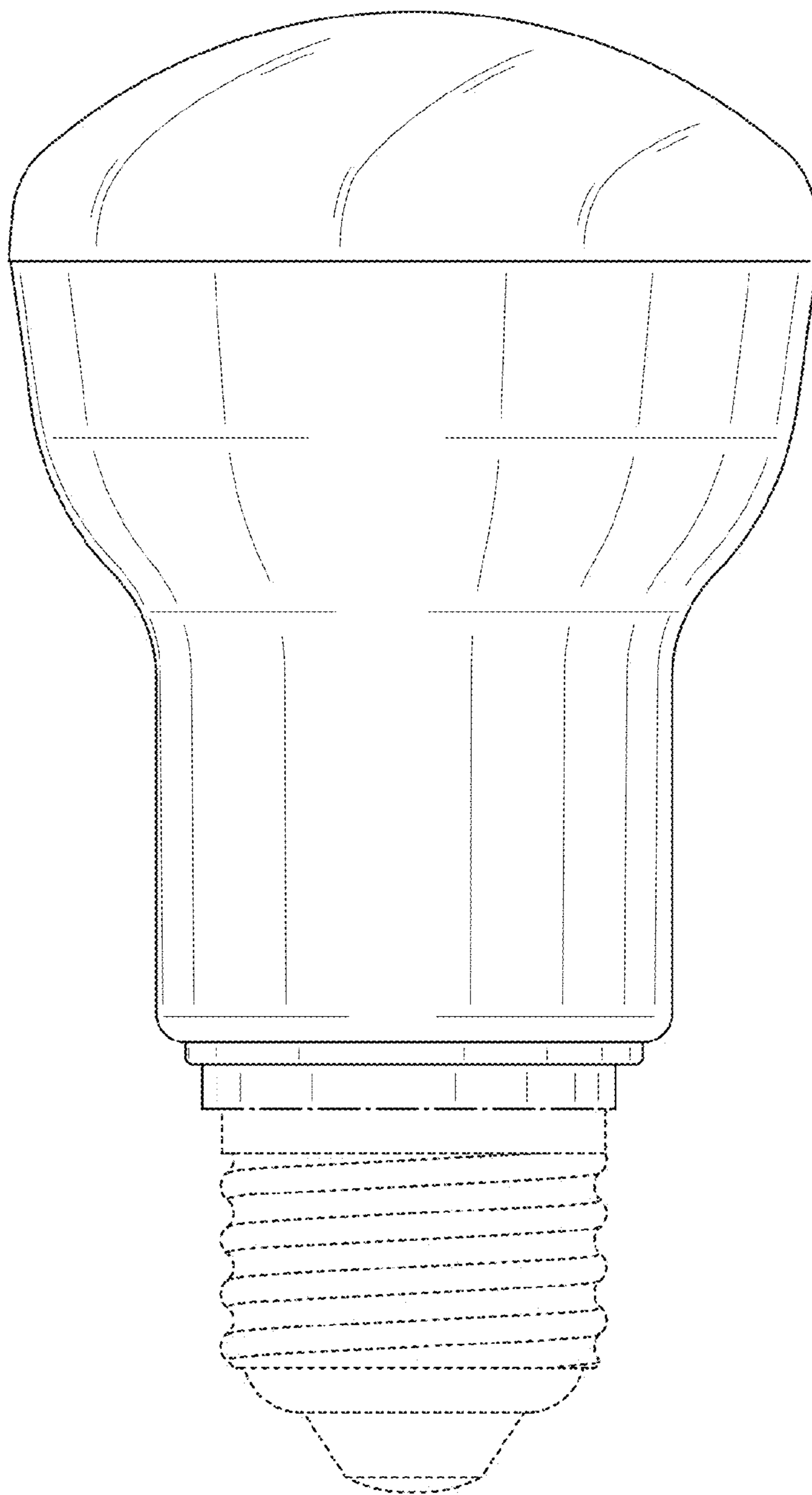


FIG. 4

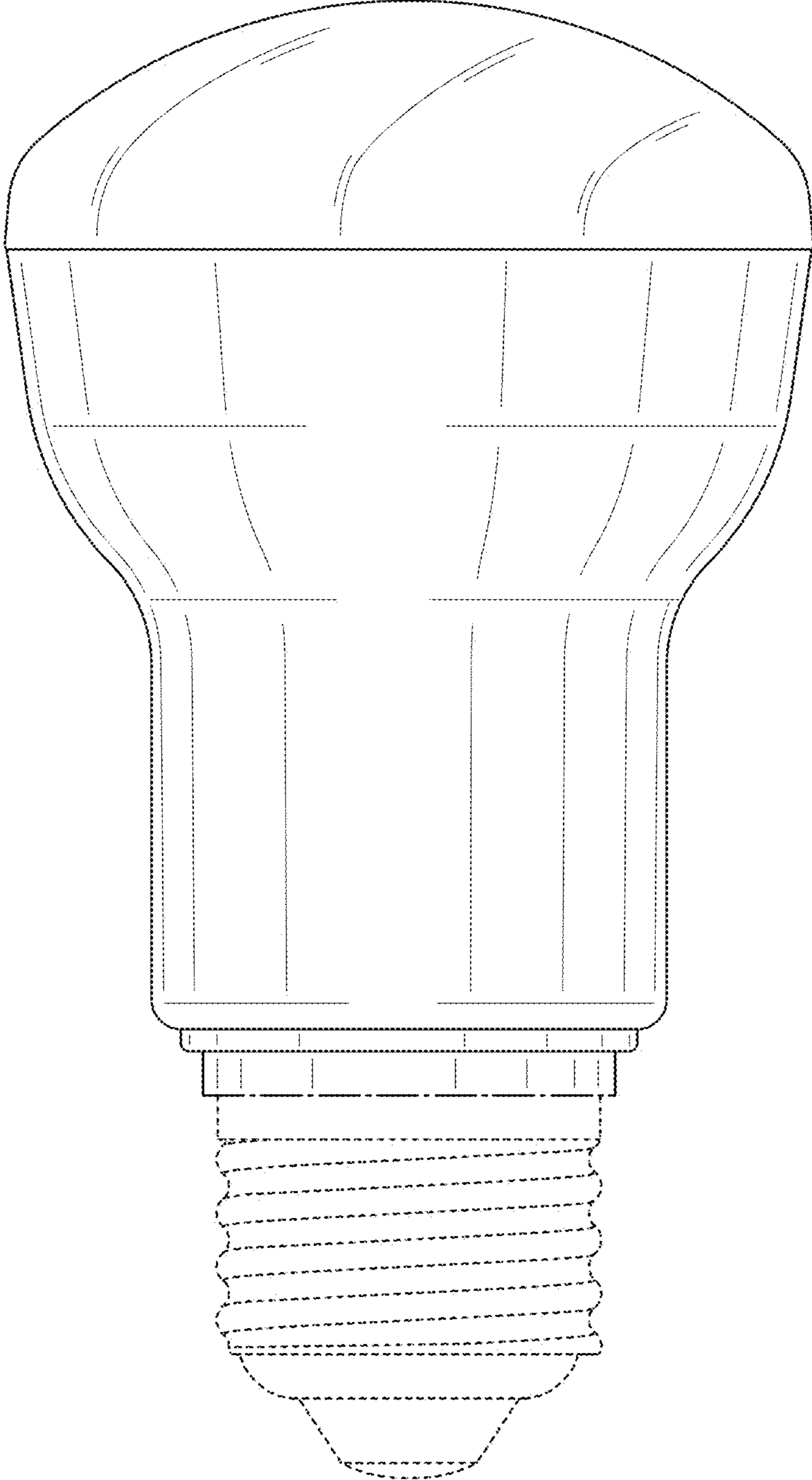


FIG. 5

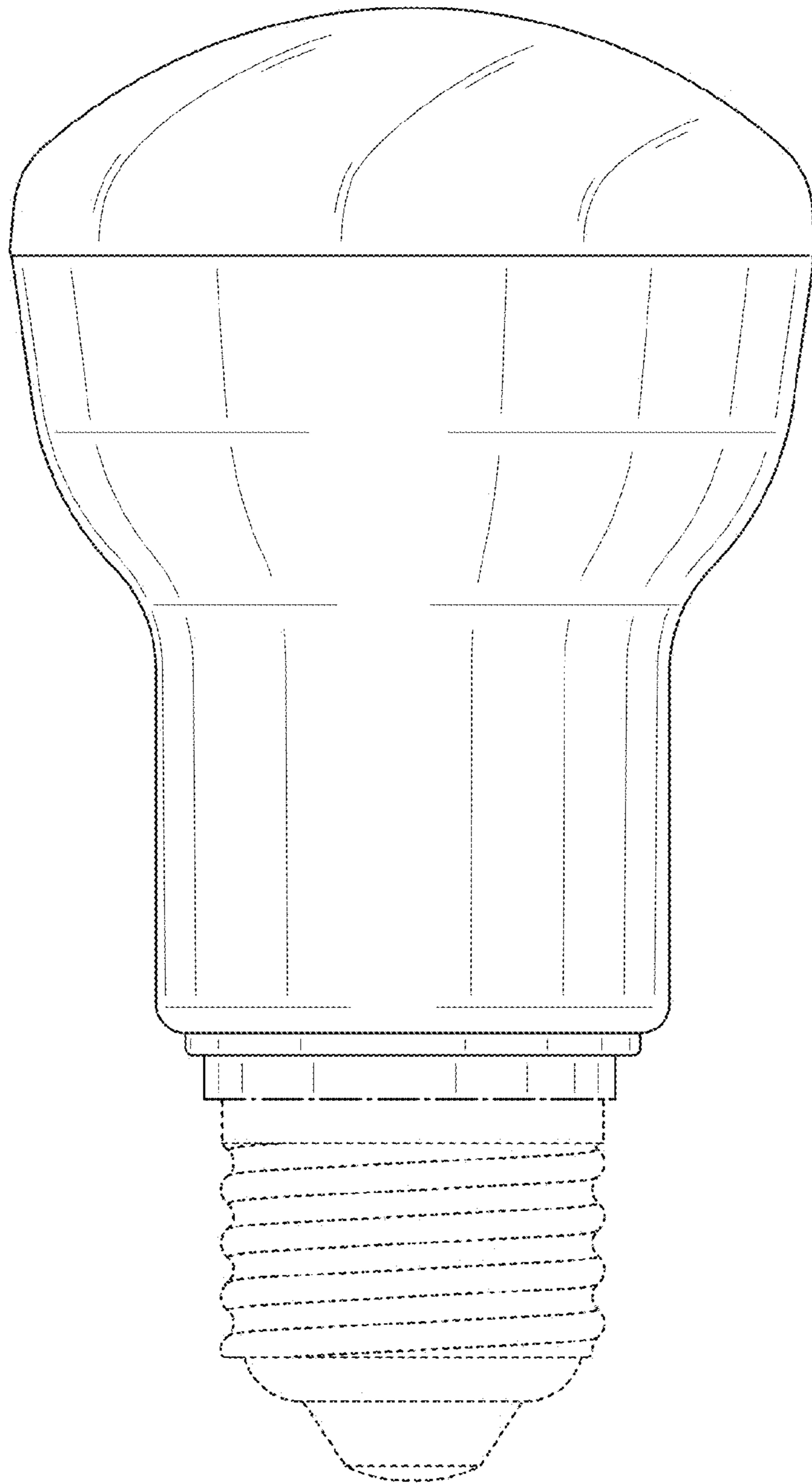


FIG. 6

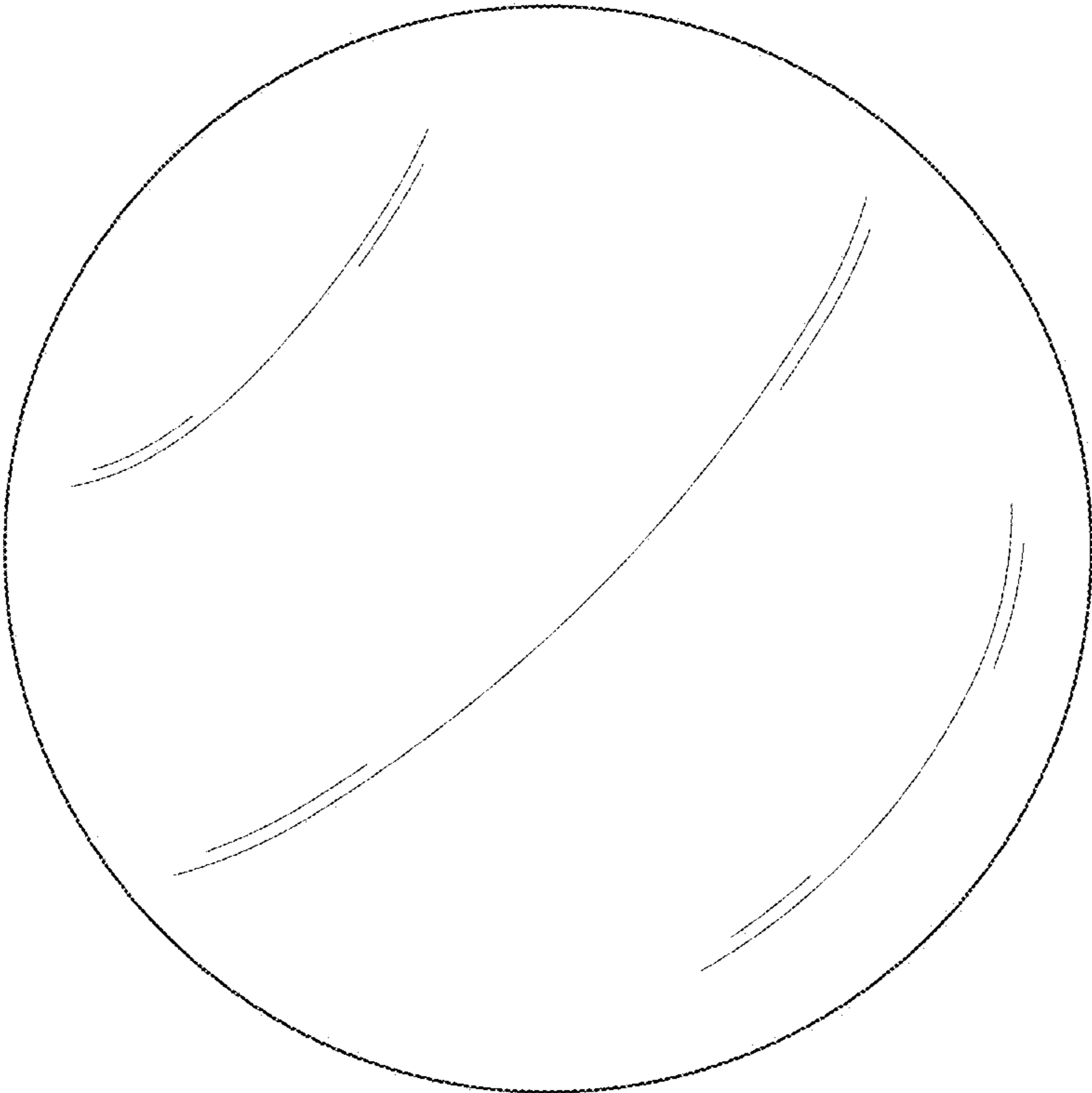


FIG. 7

