



US00D700373S

(12) **United States Design Patent**  
**Carroll et al.**

(10) **Patent No.:** **US D700,373 S**  
(45) **Date of Patent:** **\*\* Feb. 25, 2014**

- (54) **LED LIGHT BULB**
- (71) Applicant: **Forever Bulb, LLC**, Grantsburg, WI (US)
- (72) Inventors: **David W. Carroll**, Grantsburg, WI (US); **Wendell Carroll**, Minneapolis, MN (US); **Terry L. Travis**, Nerstrand, MN (US)
- (73) Assignee: **Forever Bulb, LLC**, Grantsburg, WI (US)

6,462,475	B1	10/2002	Lee	
D471,651	S *	3/2003	Bobel	D26/2
D479,886	S *	9/2003	Kakuno et al.	D26/2
D480,486	S *	10/2003	Kakuno et al.	D26/2
6,739,734	B1	5/2004	Hulgan	
D494,688	S *	8/2004	Van de Ven et al.	D26/2
7,086,756	B2	8/2006	Maxik	
D529,202	S	9/2006	Nagai et al.	
D531,741	S *	11/2006	Takahashi	D26/2
D534,665	S	1/2007	Egawa et al.	

(Continued)

- (\*\*) Term: **14 Years**
- (21) Appl. No.: **29/441,703**
- (22) Filed: **Jan. 9, 2013**

FOREIGN PATENT DOCUMENTS

DE	102007056874	5/2009
JP	2005310561	11/2005
WO	2005090852	9/2005
WO	2009149263	12/2009

*Primary Examiner* — Marcus Jackson  
(74) *Attorney, Agent, or Firm* — Dicke, Billig & Czaja PLLC

**Related U.S. Application Data**

- (63) Continuation of application No. 29/434,303, filed on Oct. 11, 2012.
- (51) **LOC (10) Cl.** ..... **26-04**
- (52) **U.S. Cl.**  
USPC ..... **D26/2**
- (58) **Field of Classification Search**  
USPC ..... D26/1-4; 313/313, 315, 316, 317, 318, 313/493; 315/52, 53, 56, 57, 58  
See application file for complete search history.

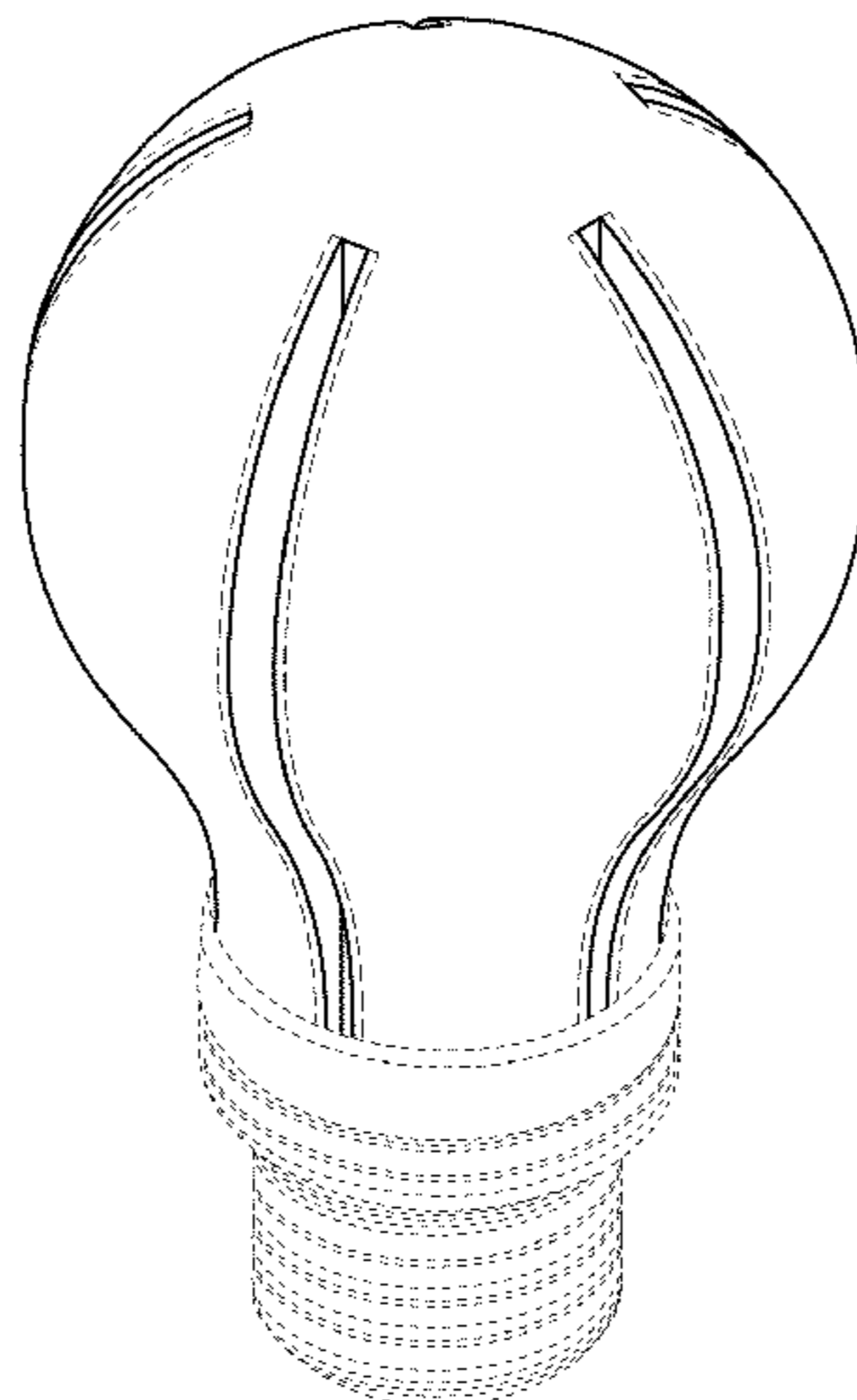
(57) **CLAIM**  
The ornamental design for a LED light bulb, as shown and described herein.

**DESCRIPTION**

FIG. 1 is a front, right perspective view of a LED light bulb, according to one example of the present disclosure, with elements in dashed lines forming no part of the claimed design;  
FIG. 2 is a bottom plan view of the light bulb of FIG. 1;  
FIG. 3 is a top plan view of the light bulb of FIG. 1;  
FIG. 4 is a front side view of the light bulb of FIG. 1, with a rear side view being a mirror image of the front side view;  
FIG. 5 is a left side view of the light bulb of FIG. 1; and,  
FIG. 6 is a right side view of the light bulb of FIG. 1.

- (56) **References Cited**  
U.S. PATENT DOCUMENTS
- |           |    |         |          |
|-----------|----|---------|----------|
| 5,162,696 | A  | 11/1992 | Goodrich |
| 5,806,965 | A  | 9/1998  | Deese    |
| 6,220,722 | B1 | 4/2001  | Begemann |
| 6,343,871 | B1 | 2/2002  | Yu       |
| 6,367,949 | B1 | 4/2002  | Pederson |

**1 Claim, 6 Drawing Sheets**



(56)

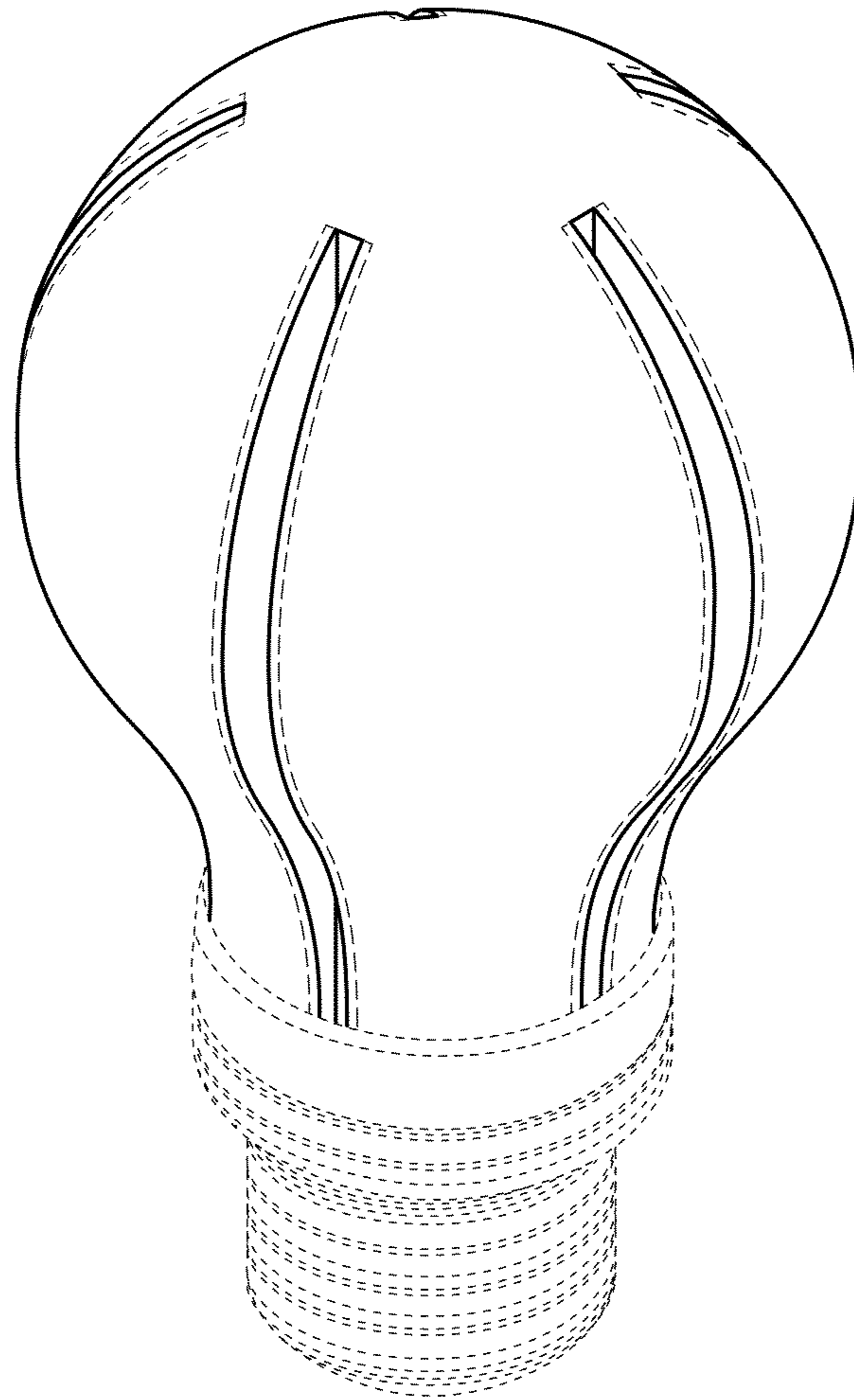
**References Cited**

U.S. PATENT DOCUMENTS

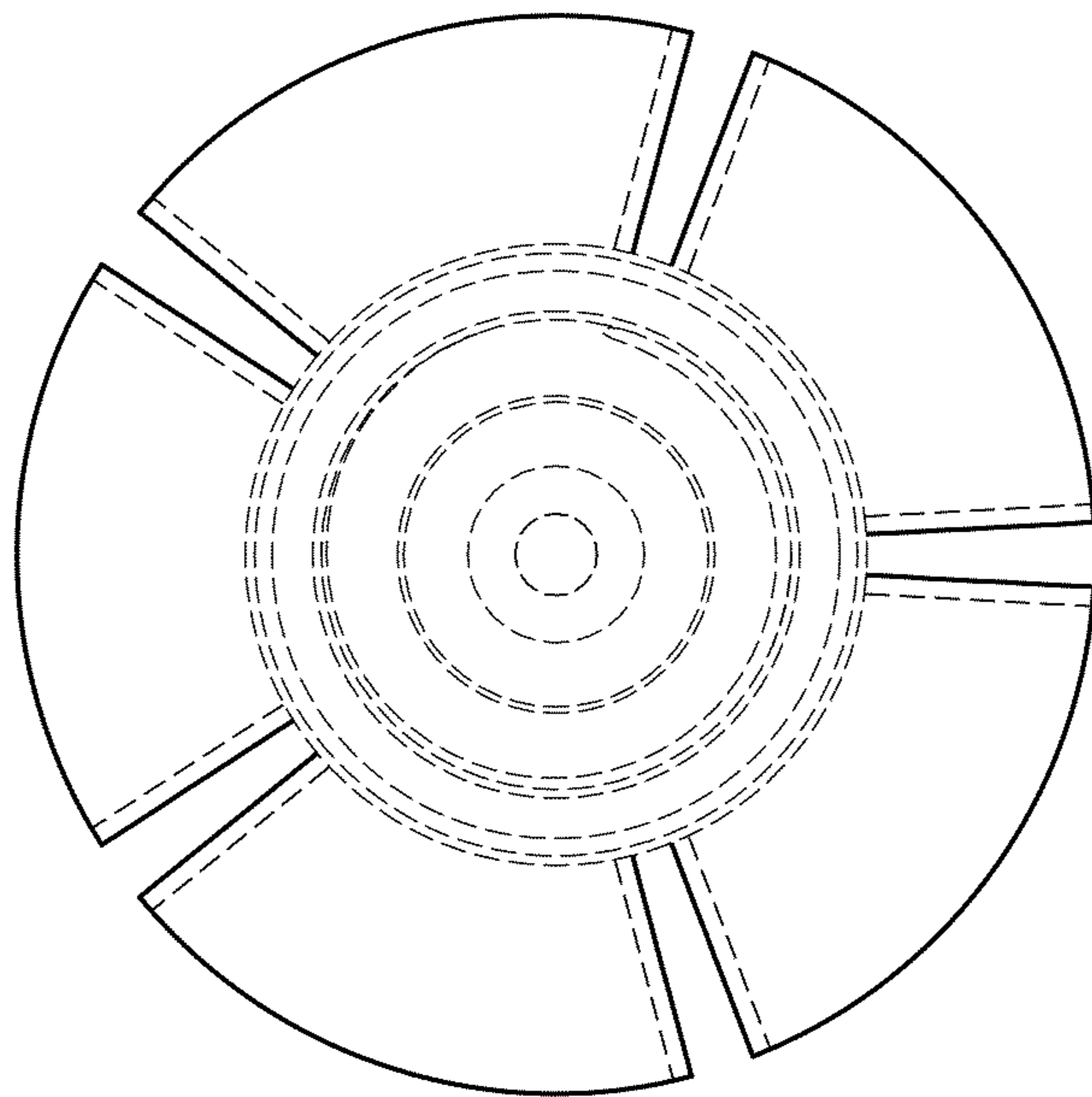
D538,953 S 3/2007 Mama  
 7,217,956 B2 5/2007 Daniels et al.  
 7,259,030 B2 8/2007 Daniels et al.  
 D553,267 S \* 10/2007 Yuen ..... D26/2  
 7,318,661 B2 1/2008 Catalano  
 7,319,293 B2 1/2008 Maxik  
 D581,066 S 11/2008 Van Dyn Hoven  
 7,588,351 B2 9/2009 Meyer  
 D610,277 S 2/2010 Lee  
 D615,220 S 5/2010 Crane et al.  
 7,726,836 B2 6/2010 Chen  
 7,736,020 B2 6/2010 Baroky et al.  
 D620,155 S 7/2010 Wang et al.  
 D623,774 S 9/2010 Tsai  
 D626,667 S 11/2010 Jonsson et al.  
 D633,226 S 2/2011 Katsaros  
 D646,408 S 10/2011 Shi  
 D646,809 S 10/2011 Shi  
 D654,602 S 2/2012 Carroll et al.

D663,051 S 7/2012 Xu et al.  
 2002/0021573 A1 2/2002 Zhang  
 2002/0176253 A1 11/2002 Lee  
 2003/0031015 A1 2/2003 Ishibashi  
 2003/0090910 A1 5/2003 Chen  
 2003/0117803 A1 6/2003 Chen  
 2003/0174499 A1 9/2003 Bohlander  
 2004/0037080 A1 2/2004 Luk et al.  
 2005/0030761 A1 2/2005 Burgess  
 2005/0174769 A1 8/2005 Yong et al.  
 2005/0207152 A1 9/2005 Maxik  
 2005/0207159 A1 9/2005 Maxik  
 2006/0012997 A1 1/2006 Catalano et al.  
 2006/0221606 A1 10/2006 Dowling  
 2006/0285325 A1 12/2006 Ducharme et al.  
 2006/0291256 A1 12/2006 Cobbler  
 2007/0103914 A1 5/2007 McCaffrey  
 2007/0291482 A1 12/2007 Baroky et al.  
 2008/0024070 A1 1/2008 Catalano et al.  
 2008/0285279 A1 11/2008 Ng et al.  
 2009/0086492 A1 4/2009 Meyer  
 2010/0301353 A1 12/2010 Pabst et al.

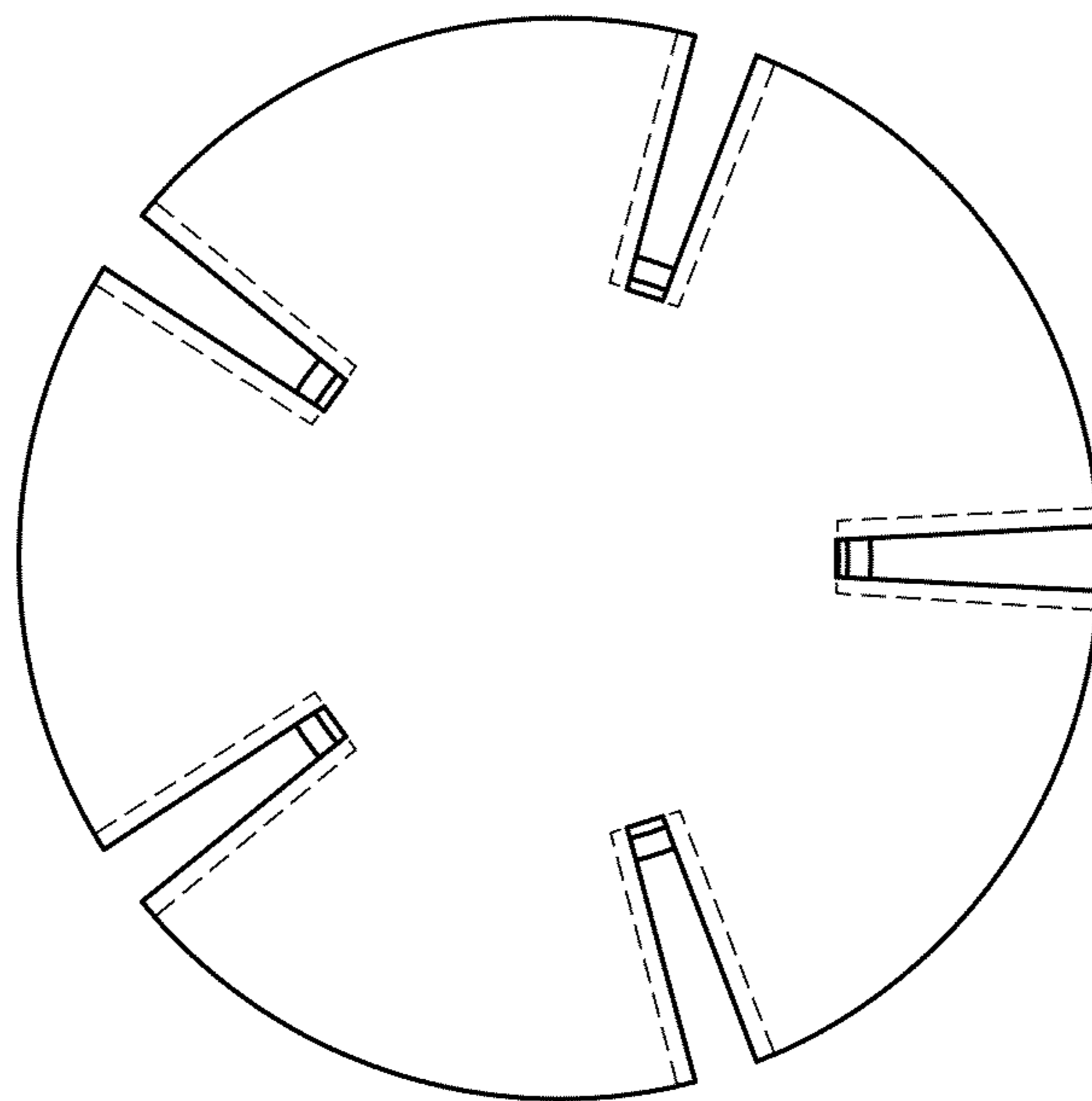
\* cited by examiner



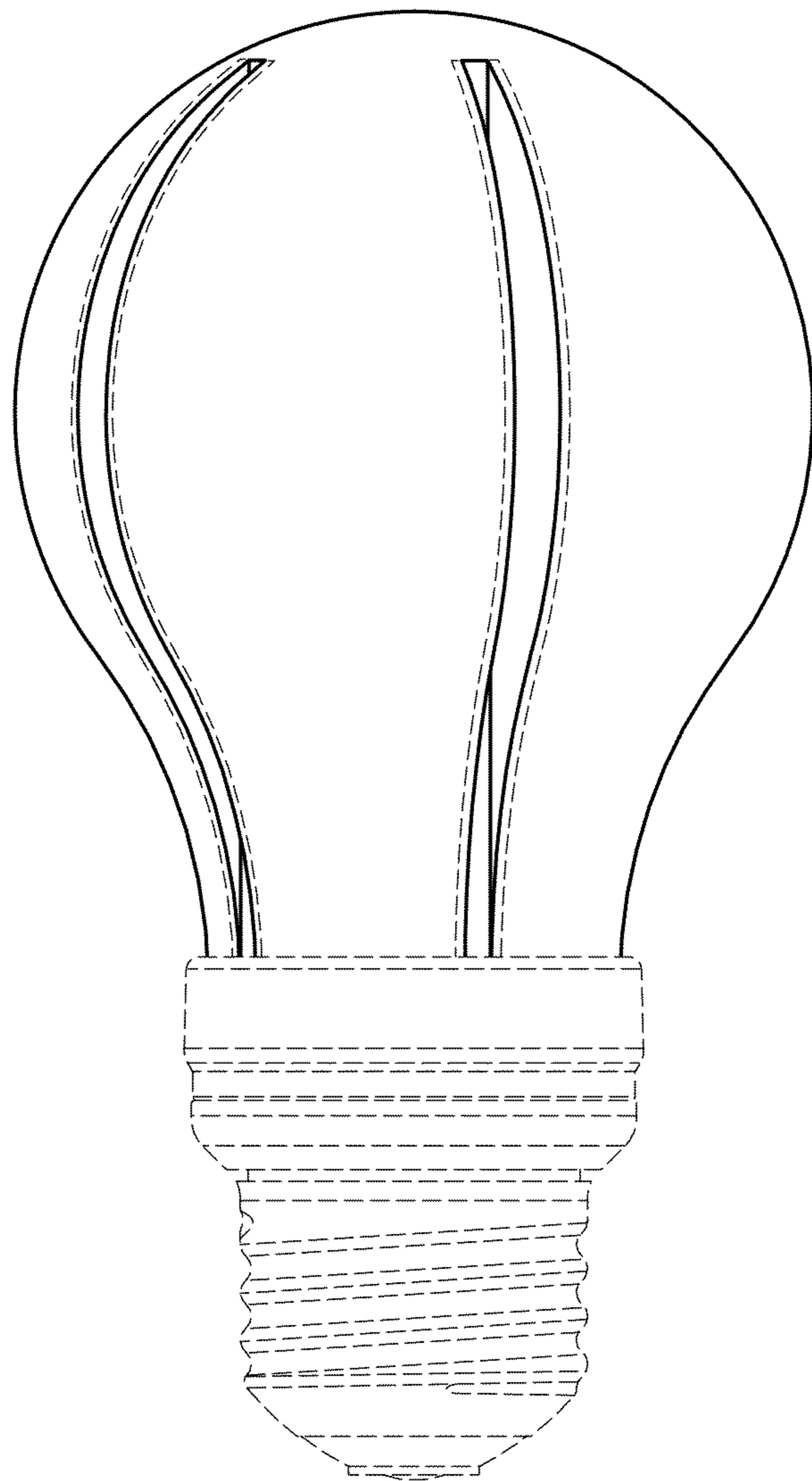
**Fig. 1**



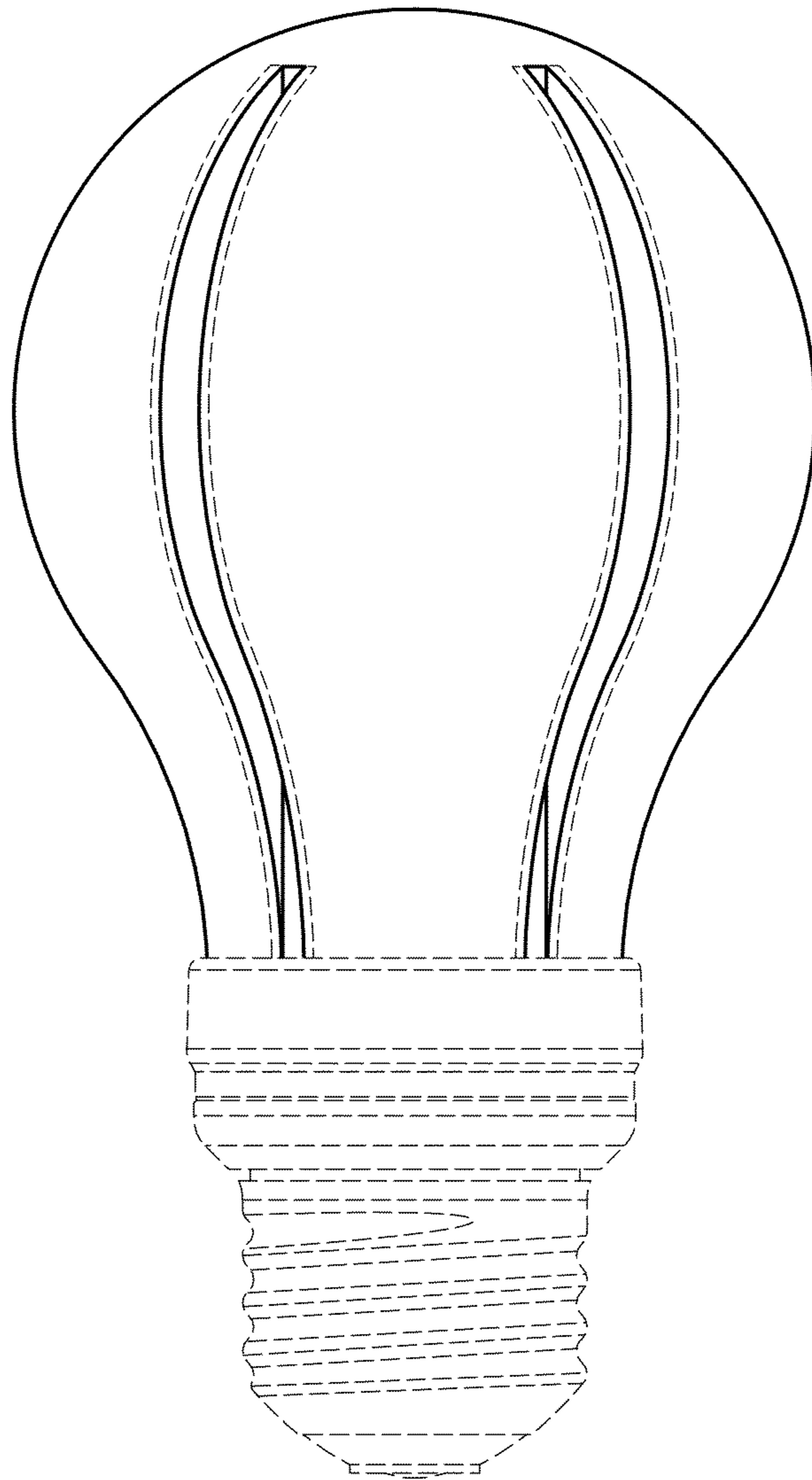
**Fig. 2**



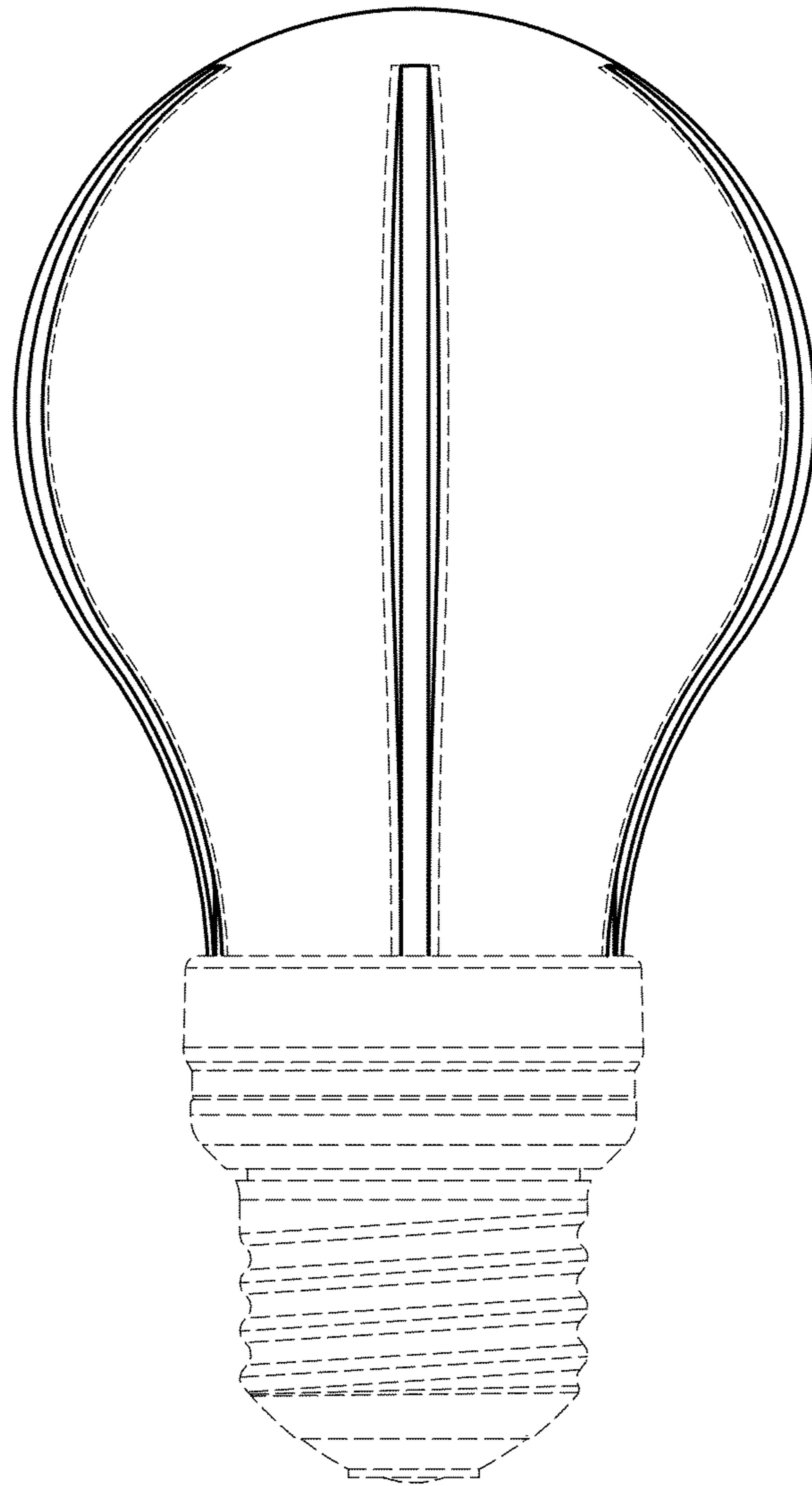
**Fig. 3**



**Fig. 4**



**Fig. 5**



**Fig. 6**