



US00D700372S

(12) **United States Design Patent**
Altman

(10) **Patent No.:** **US D700,372 S**

(45) **Date of Patent:** **** Feb. 25, 2014**

(54) **LED LIGHT BULB**

(75) Inventor: **Peter Altman**, Philadelphia, PA (US)

(73) Assignee: **Liteworx**, Philadelphia, PA (US)

(**) Term: **14 Years**

(21) Appl. No.: **29/429,778**

(22) Filed: **Aug. 16, 2012**

(51) **LOC (10) Cl.** **26-04**

(52) **U.S. Cl.**
USPC **D26/2; D14/435.1**

(58) **Field of Classification Search**
USPC D26/1-4; D14/435.1; 313/313, 315,
313/316, 317, 318, 493; 315/52, 53, 56, 57,
315/58

See application file for complete search history.

(56) **References Cited**

U.S. PATENT DOCUMENTS

D449,615 S	*	10/2001	Lloyd	D14/435.1
D532,532 S	*	11/2006	Maxik	D26/2
D535,038 S	*	1/2007	Egawa et al.	D26/2
D553,265 S	*	10/2007	Maxik	D26/2
D553,266 S	*	10/2007	Maxik	D26/2
D665,932 S	*	8/2012	Espiau et al.	D26/2
D669,899 S	*	10/2012	Cheng	D14/435.1

D688,247 S * 8/2013 Girotti et al. D14/435.1

* cited by examiner

Primary Examiner — Marcus Jackson

(74) *Attorney, Agent, or Firm* — Law Offices of Robert F. Zielinski

(57) **CLAIM**

I claim the novelty and ornamentality design for LED light bulb, as shown and described.

DESCRIPTION

FIG. 1 is a side perspective view of the LED light bulb according to the present invention.

FIG. 2 is a top plan view of the LED light bulb according to the present invention.

FIG. 3 is a bottom plan view of the LED light bulb according to the present invention.

FIG. 4 is a rear side view of the LED light bulb according to the present invention.

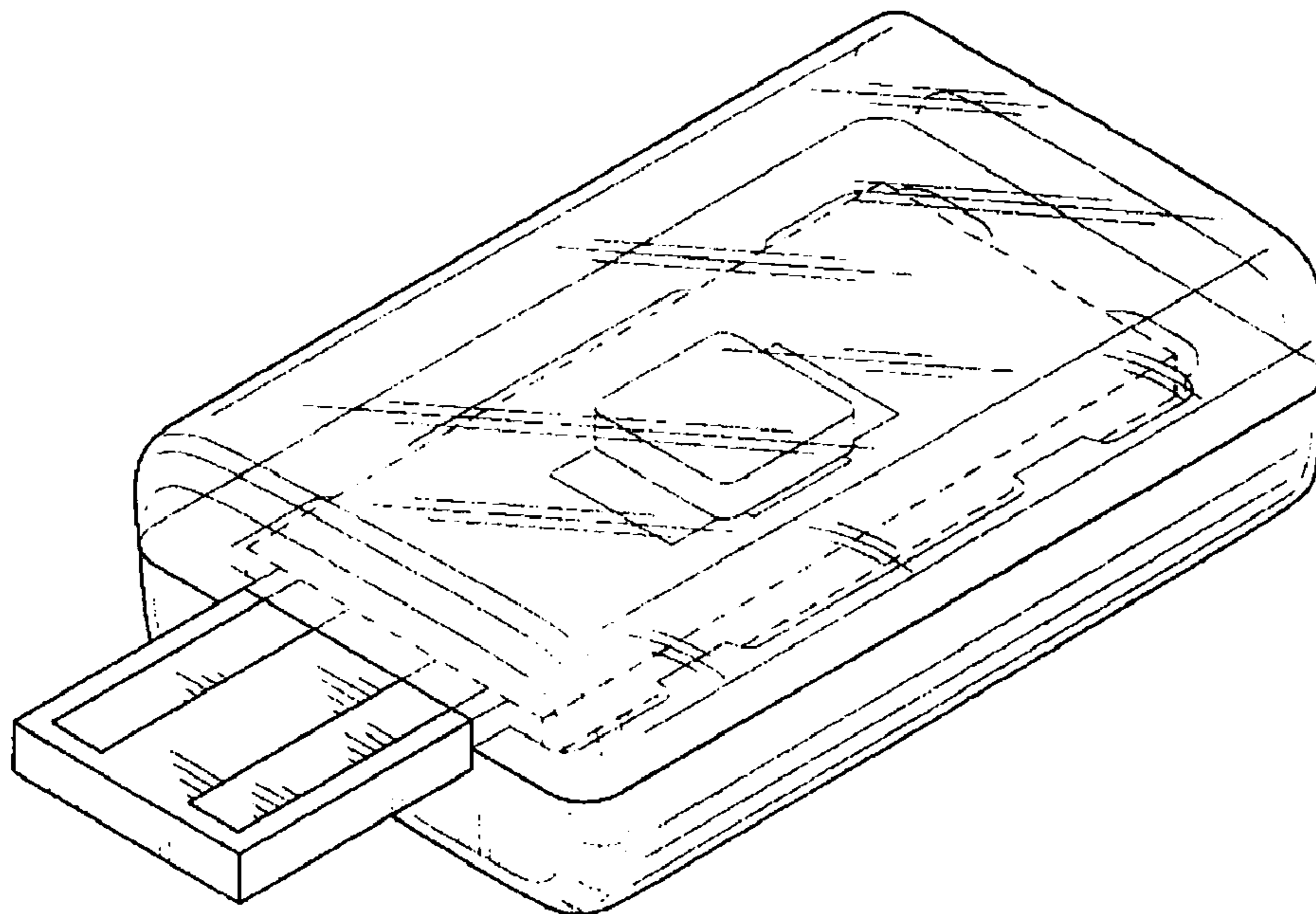
FIG. 5 is a front side view of the LED light bulb according to the present invention.

FIG. 6 is a right side view of the LED light bulb according to the present invention; and,

FIG. 7 is a left side view of the LED light bulb according to the present invention.

The broken line showing of the inner portion is included for the purpose of illustrating only and forms no part of the claimed design.

1 Claim, 4 Drawing Sheets



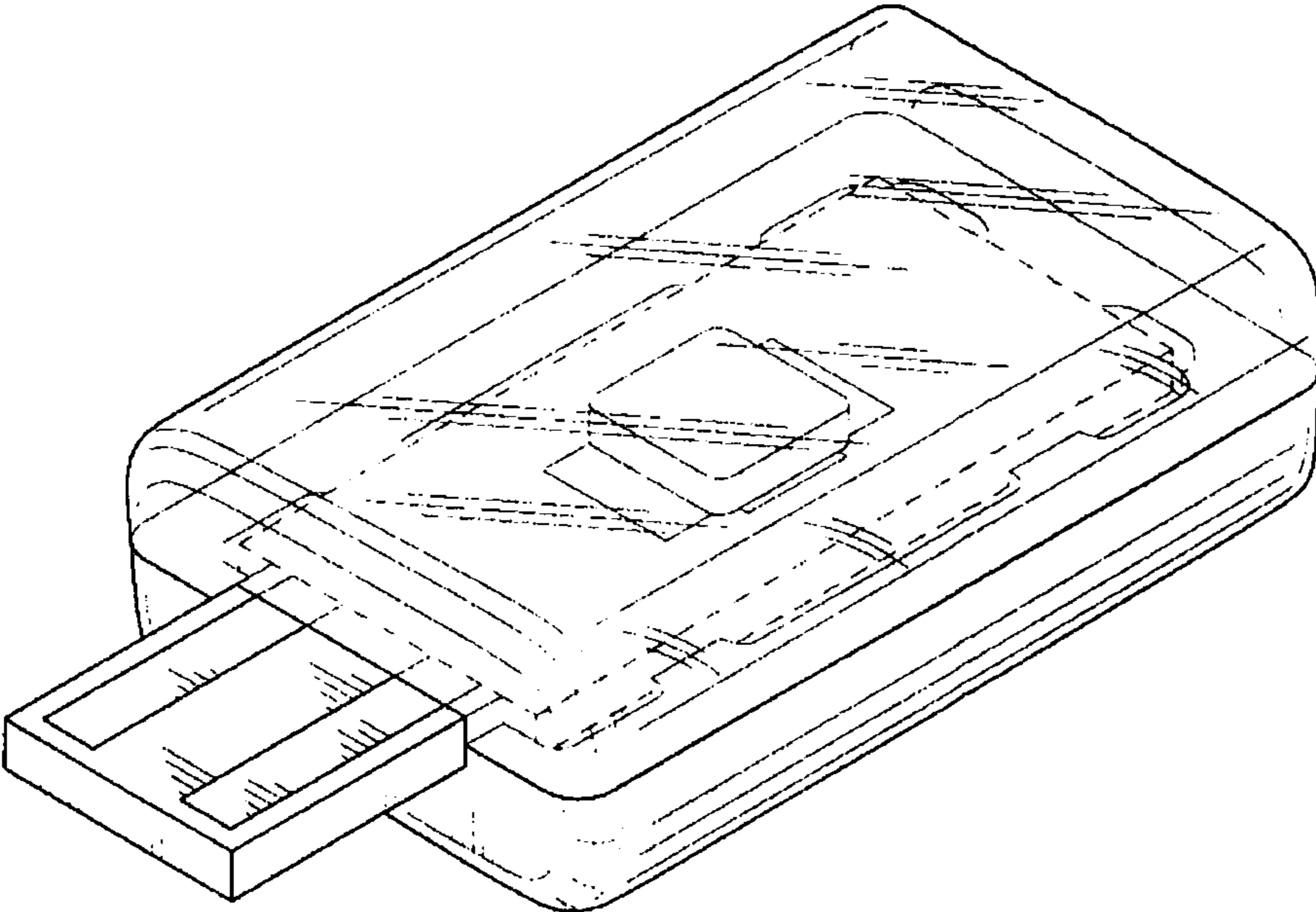


FIG. 1

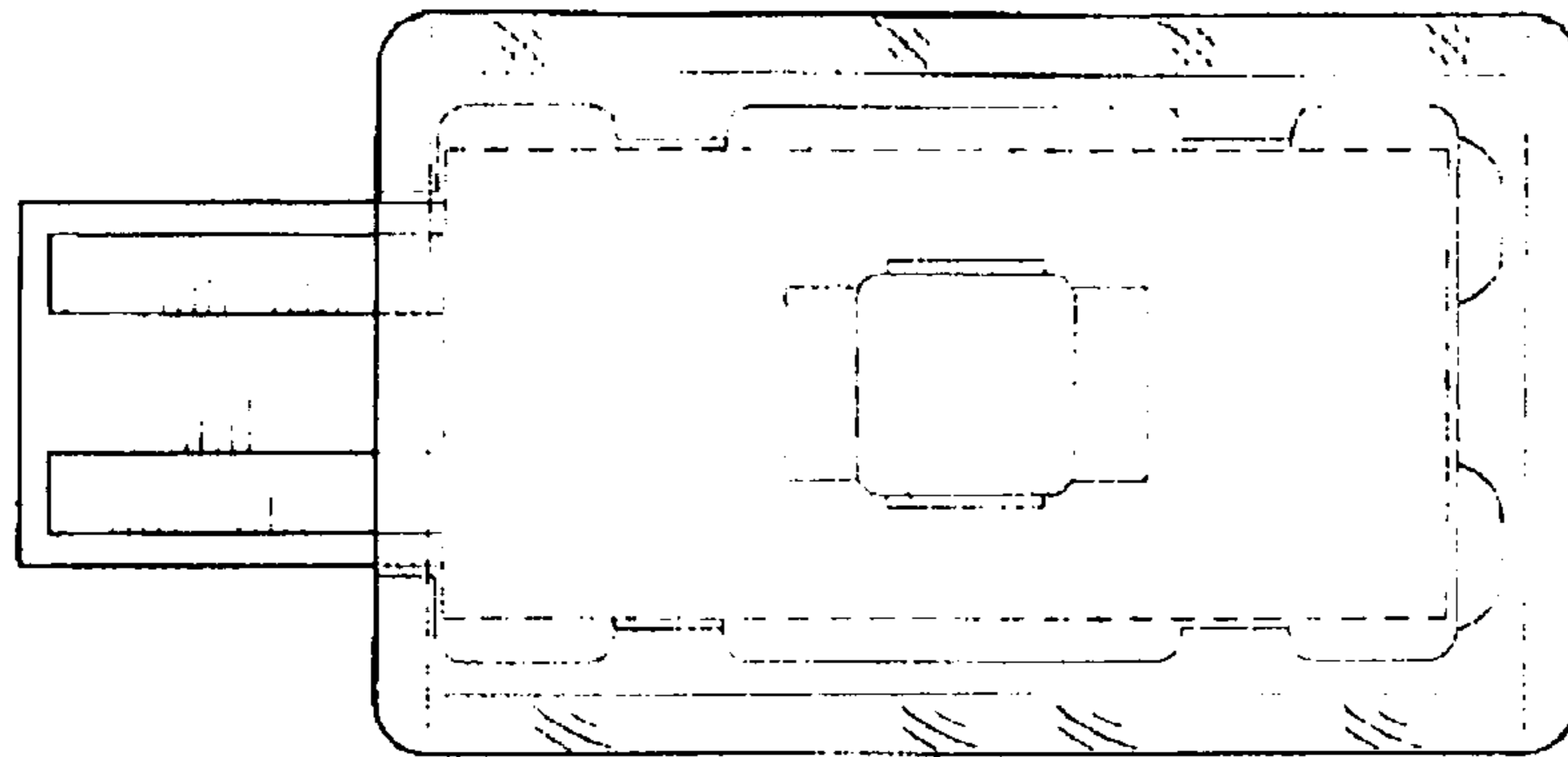


FIG. 2

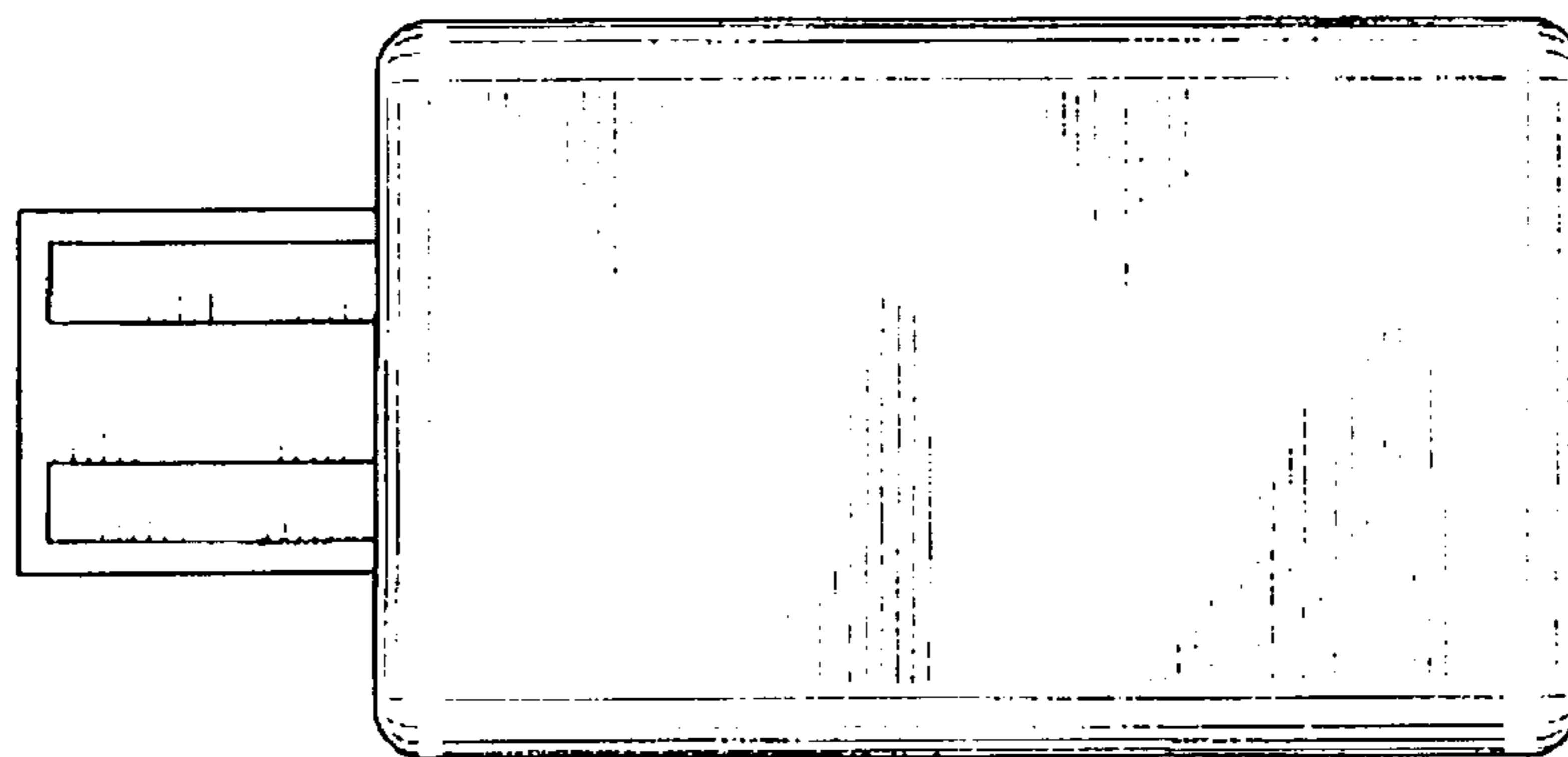


FIG. 3

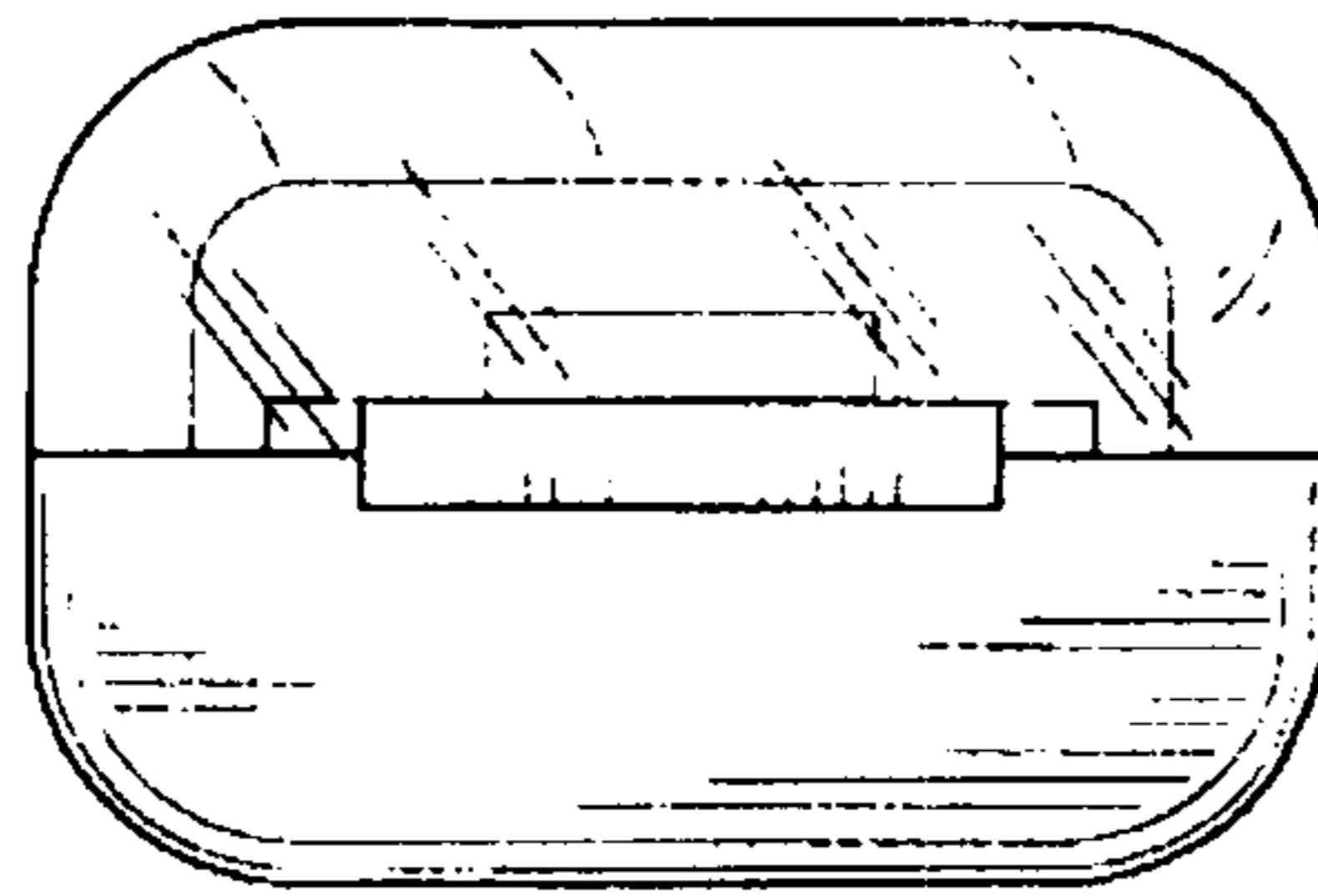


FIG. 4

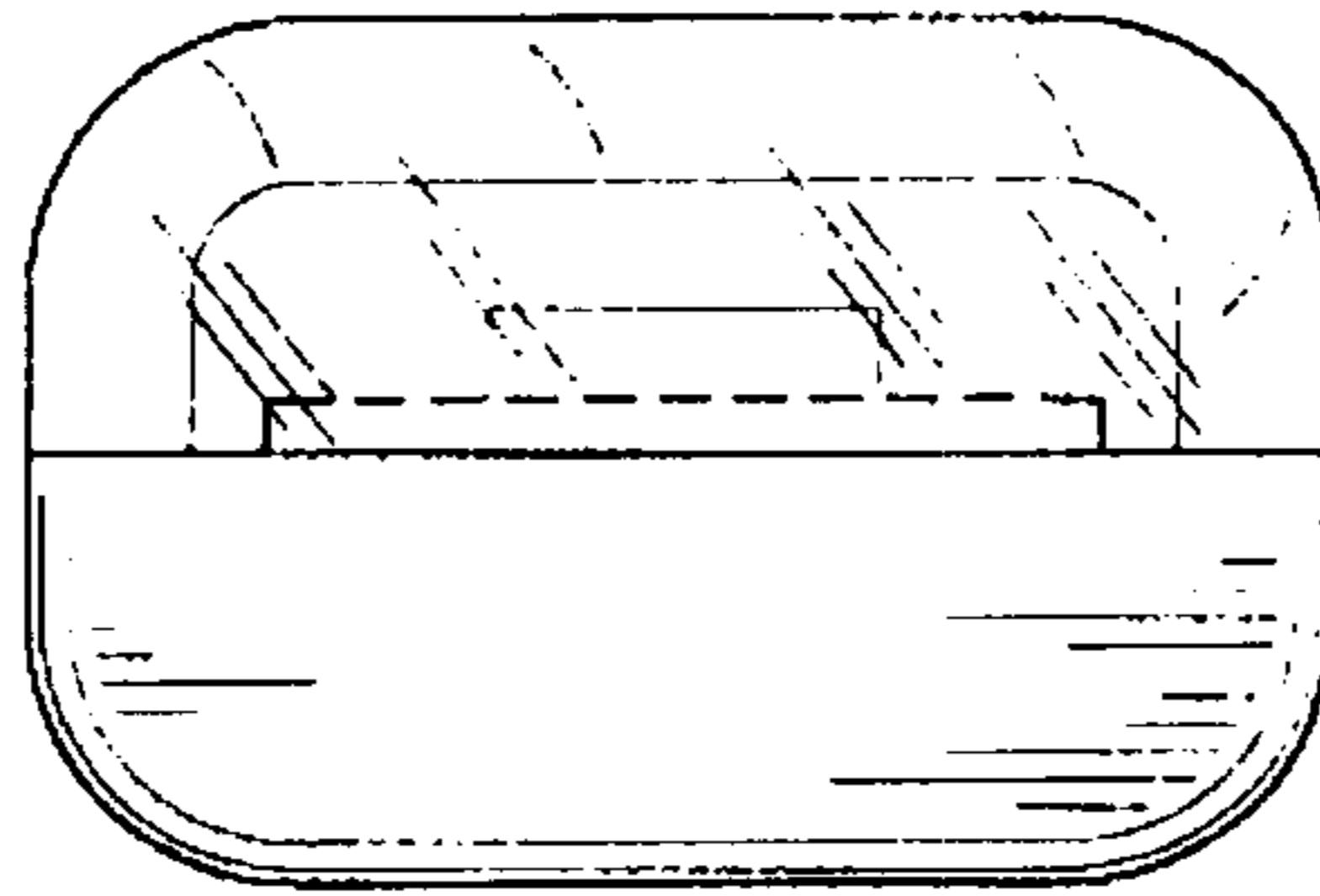


FIG. 5

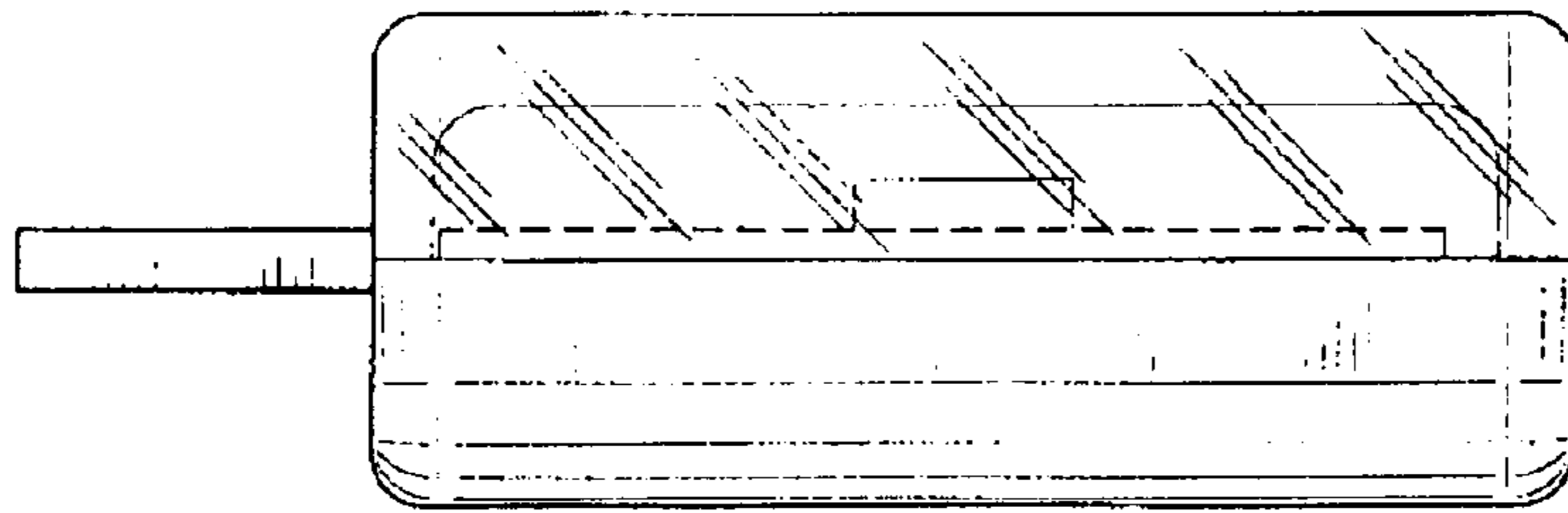


FIG. 6

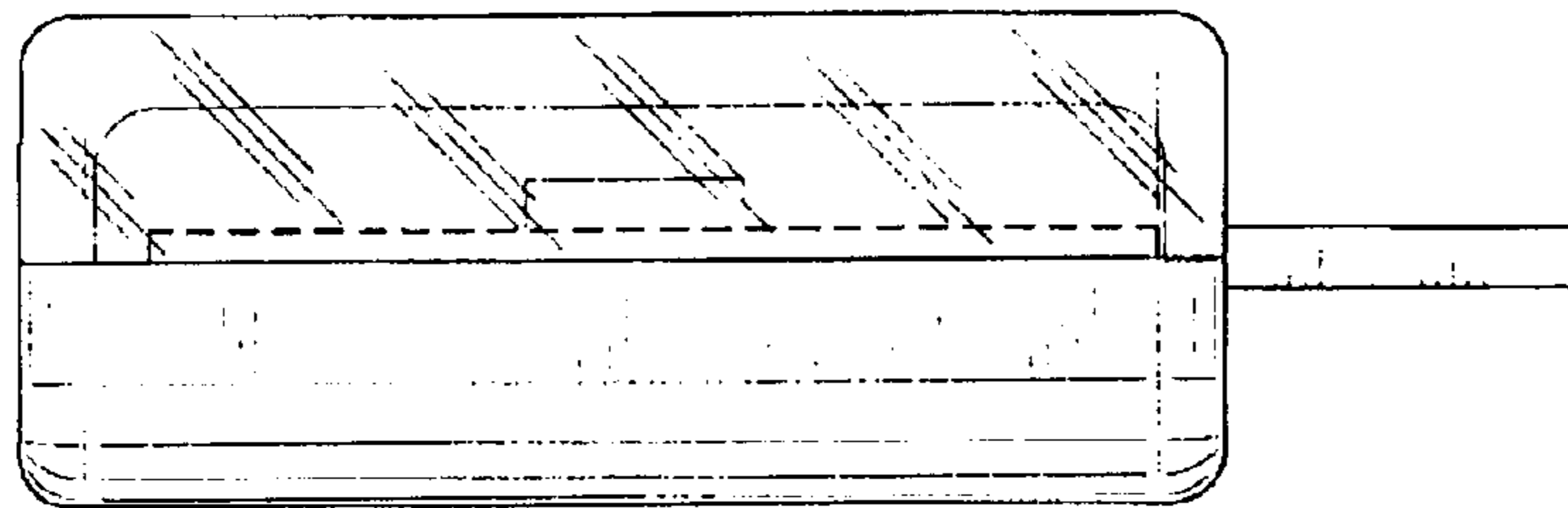


FIG. 7