

US00D700370S

(12) **United States Design Patent**
Leonard

(10) **Patent No.:** **US D700,370 S**
(45) **Date of Patent:** **** Feb. 25, 2014**

(54) **ROOF VENT SLEEVE**

(76) Inventor: **Jonathan P. Leonard**, Cape Coral, FL
(US)

(**) Term: **14 Years**

(21) Appl. No.: **29/420,840**

(22) Filed: **May 14, 2012**

Related U.S. Application Data

(63) Continuation-in-part of application No. 13/466,539,
filed on May 8, 2012.

(51) **LOC (10) Cl.** **25-01**

(52) **U.S. Cl.**
USPC **D25/199**; D23/393

(58) **Field of Classification Search**
USPC D23/370-385, 411-414, 365, 364, 328,
D23/314, 386-394, 259; 415/60, 66, 68,
415/208.1, 213.1, 214.1; 310/257; 361/695;
126/299 D, 299 R; D26/51, 72, 73;
D32/15, 16; 416/189; D13/179;
454/358-368; D25/199; 285/13, 43,
285/44; 52/58, 219

See application file for complete search history.

(56) **References Cited**

U.S. PATENT DOCUMENTS

580,515 A * 4/1897 Weeden 285/44
1,317,446 A * 9/1919 Hollaender, Jr. 285/44
D292,233 S * 10/1987 Schalle D25/199
4,768,812 A * 9/1988 Katz 285/43
5,010,700 A * 4/1991 Blair 52/199

5,245,804 A * 9/1993 Schiedegger et al. 52/199
6,244,006 B1 * 6/2001 Shue et al. 52/302.1
D554,749 S * 11/2007 Ness D23/393
D662,230 S * 6/2012 Cline D25/199
8,397,438 B2 * 3/2013 Hoy et al. 52/58
2005/0028456 A1 * 2/2005 McLane et al. 52/58
2012/0031024 A1 * 2/2012 Selke et al. 52/219
2013/0020796 A1 * 1/2013 Humber 285/44

OTHER PUBLICATIONS

Retrieved from Internet on Dec. 13, 2013; Bullet Pipe Flashing, The
Bullet Boot, Bullet Products LLC, www.bulletproducts.com/prod-
ucts/bullet-pipe-flashing/.*

* cited by examiner

Primary Examiner — Susan Bennett Hattan
Assistant Examiner — Janice Hallmark
(74) *Attorney, Agent, or Firm* — Edward P Dutkiewicz

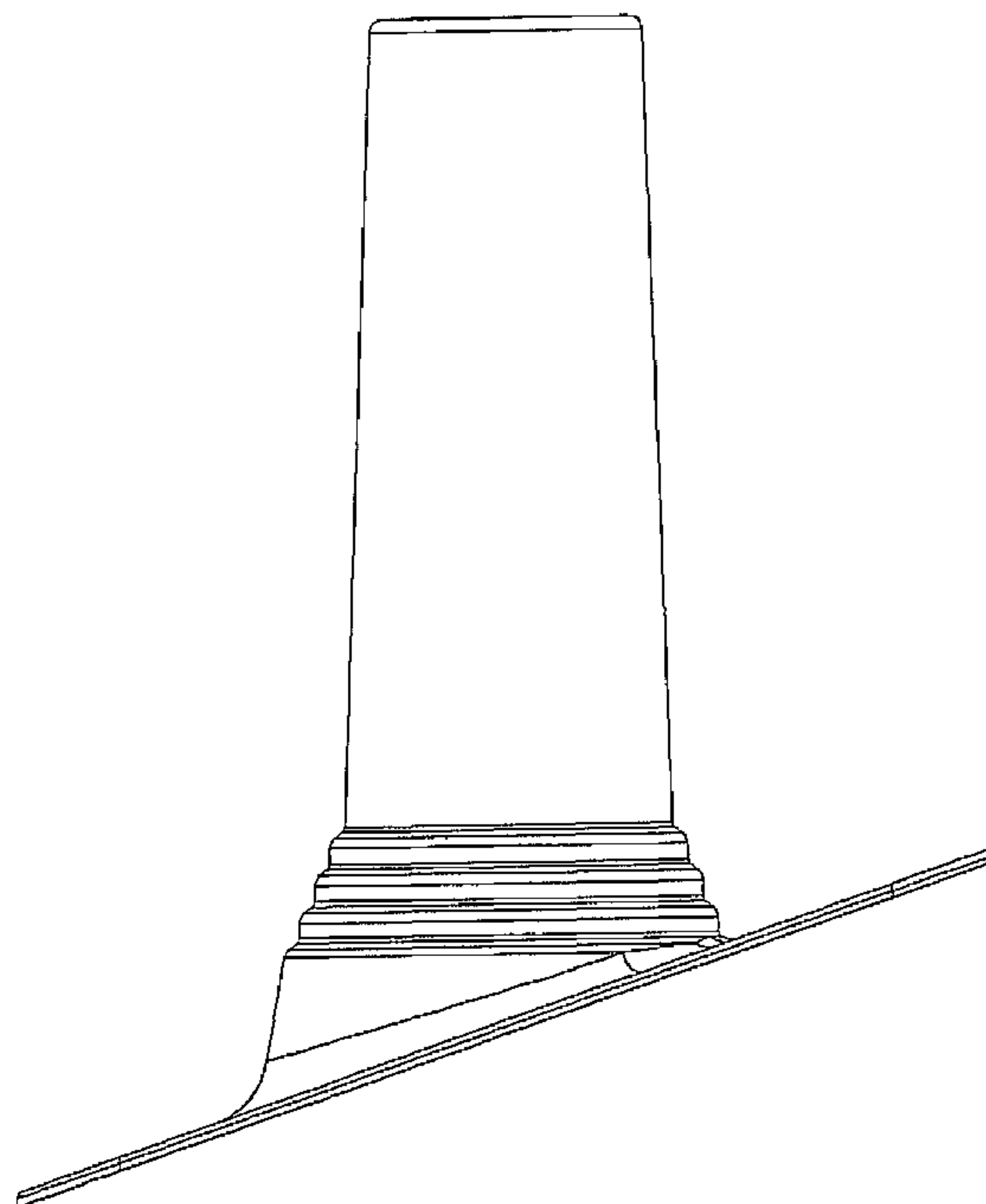
(57) **CLAIM**

The ornamental design for a roof vent sleeve, as shown and
described.

DESCRIPTION

FIG. 1 is a right side elevational view of the roof vent sleeve
showing my new design.
FIG. 2 is a left side elevational view view thereof;
FIG. 3 is a front elevational view thereof;
FIG. 4 is a rear elevational view thereof;
FIG. 5 is a top plan view thereof; and,
FIG. 6 is a bottom plan view thereof.

1 Claim, 6 Drawing Sheets



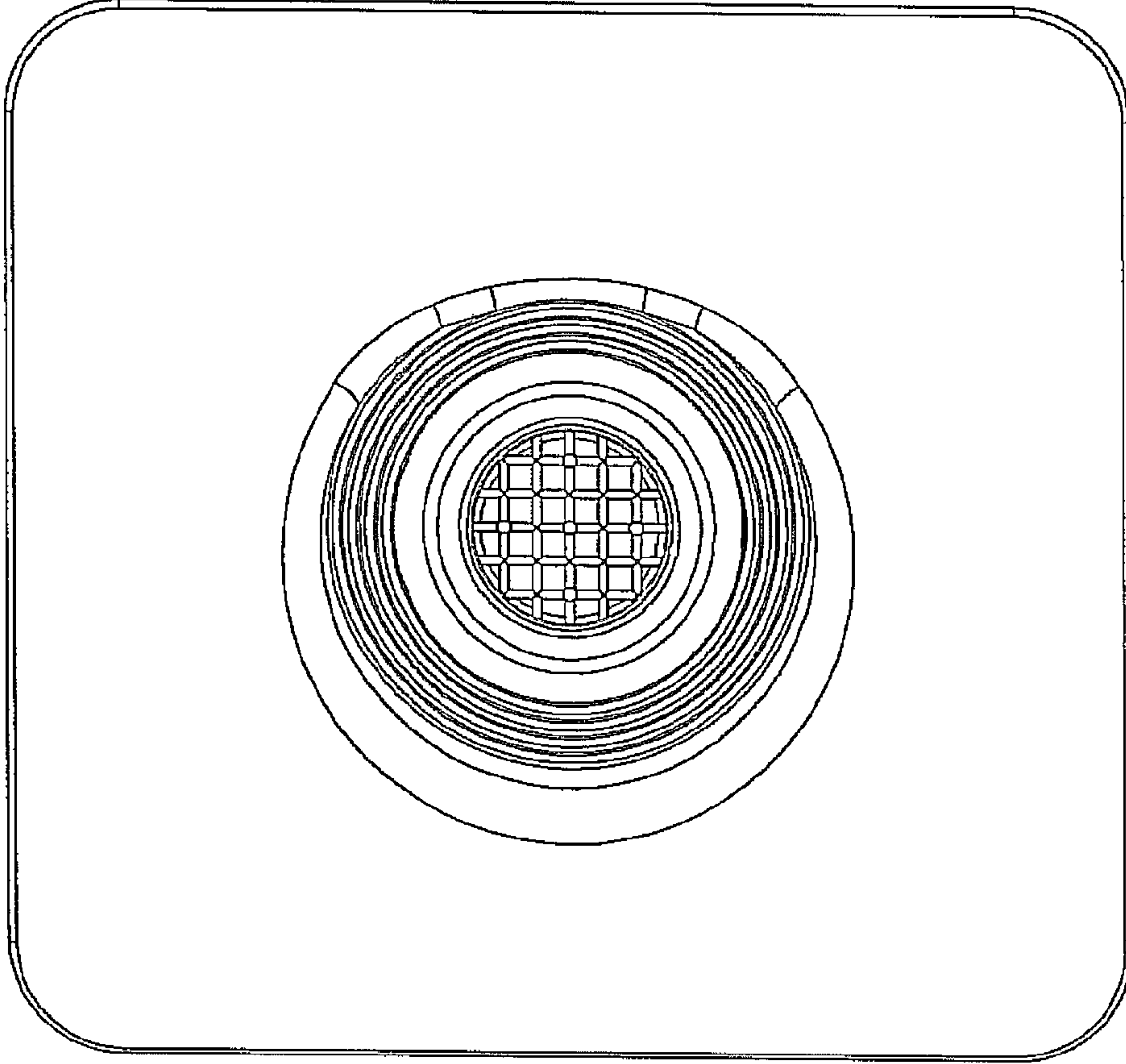


FIGURE 1

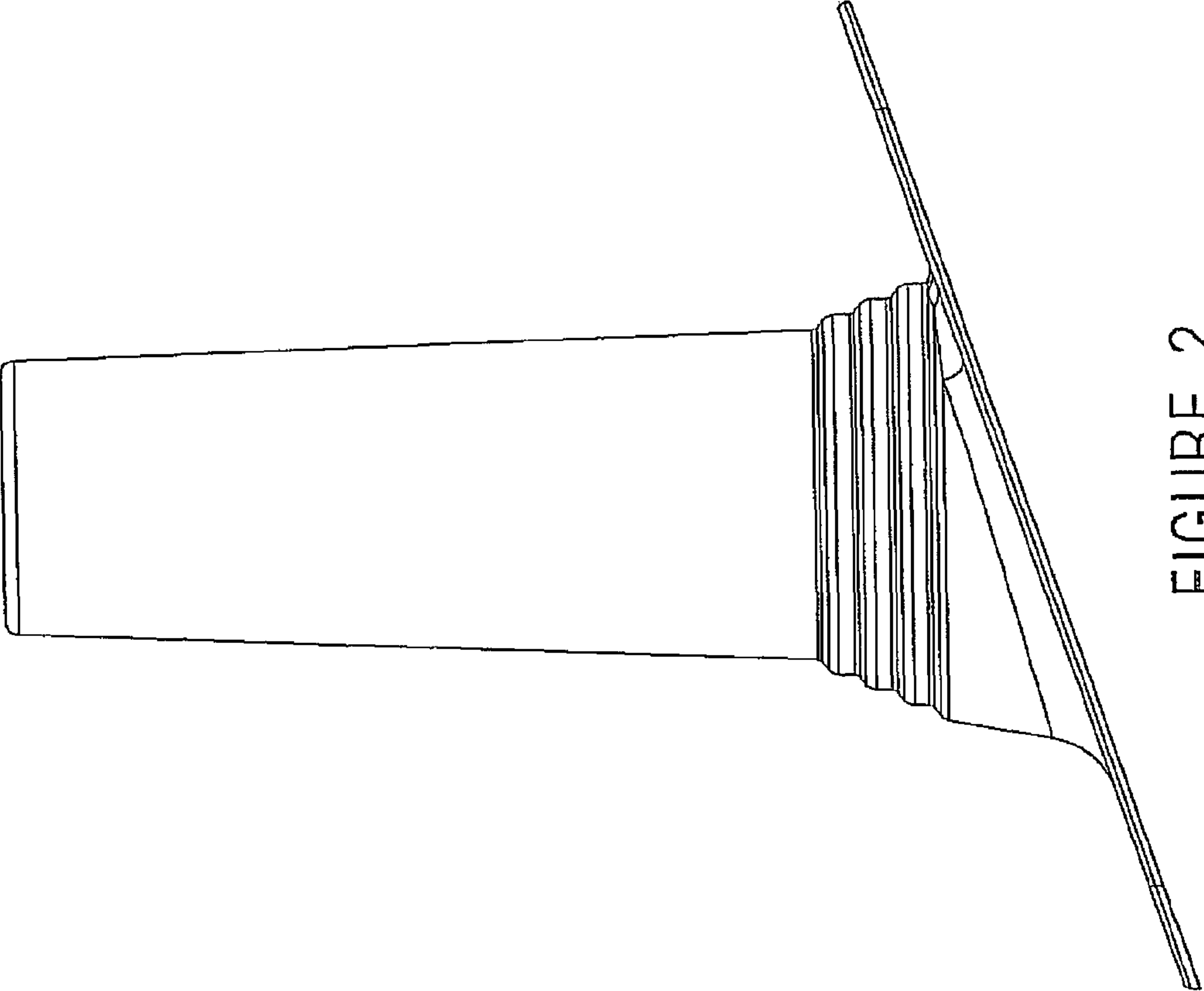


FIGURE 2

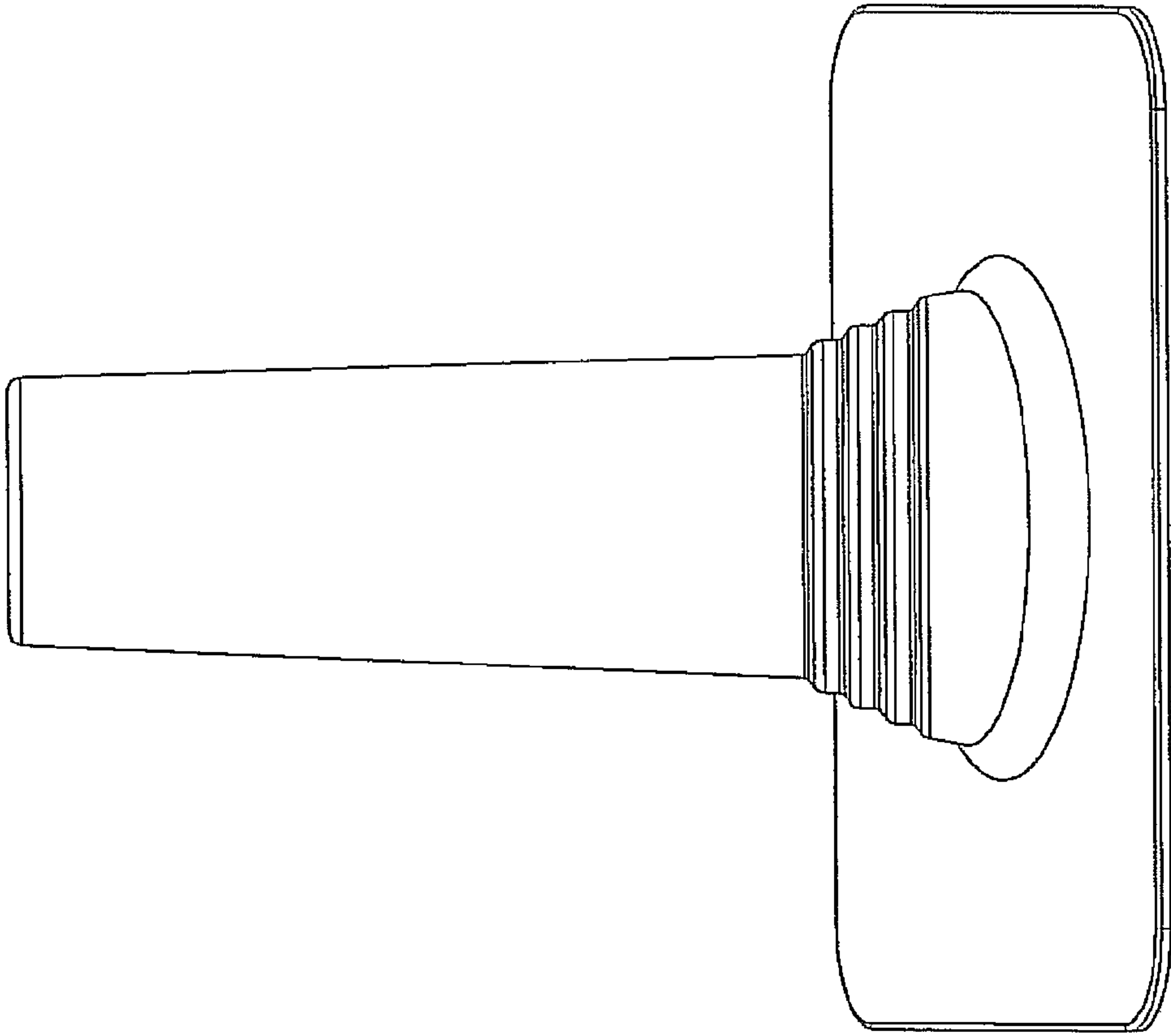


FIGURE 3

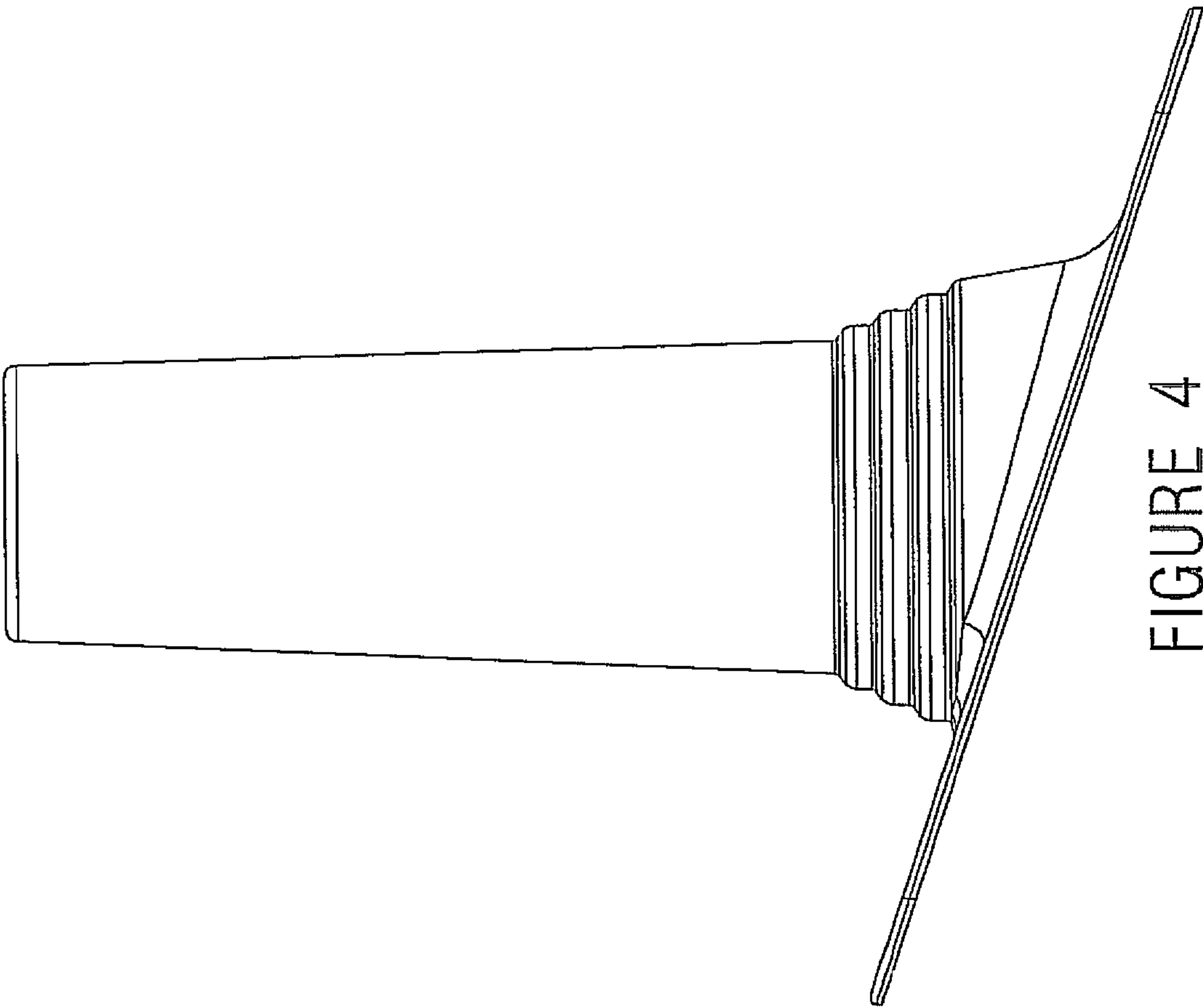


FIGURE 4

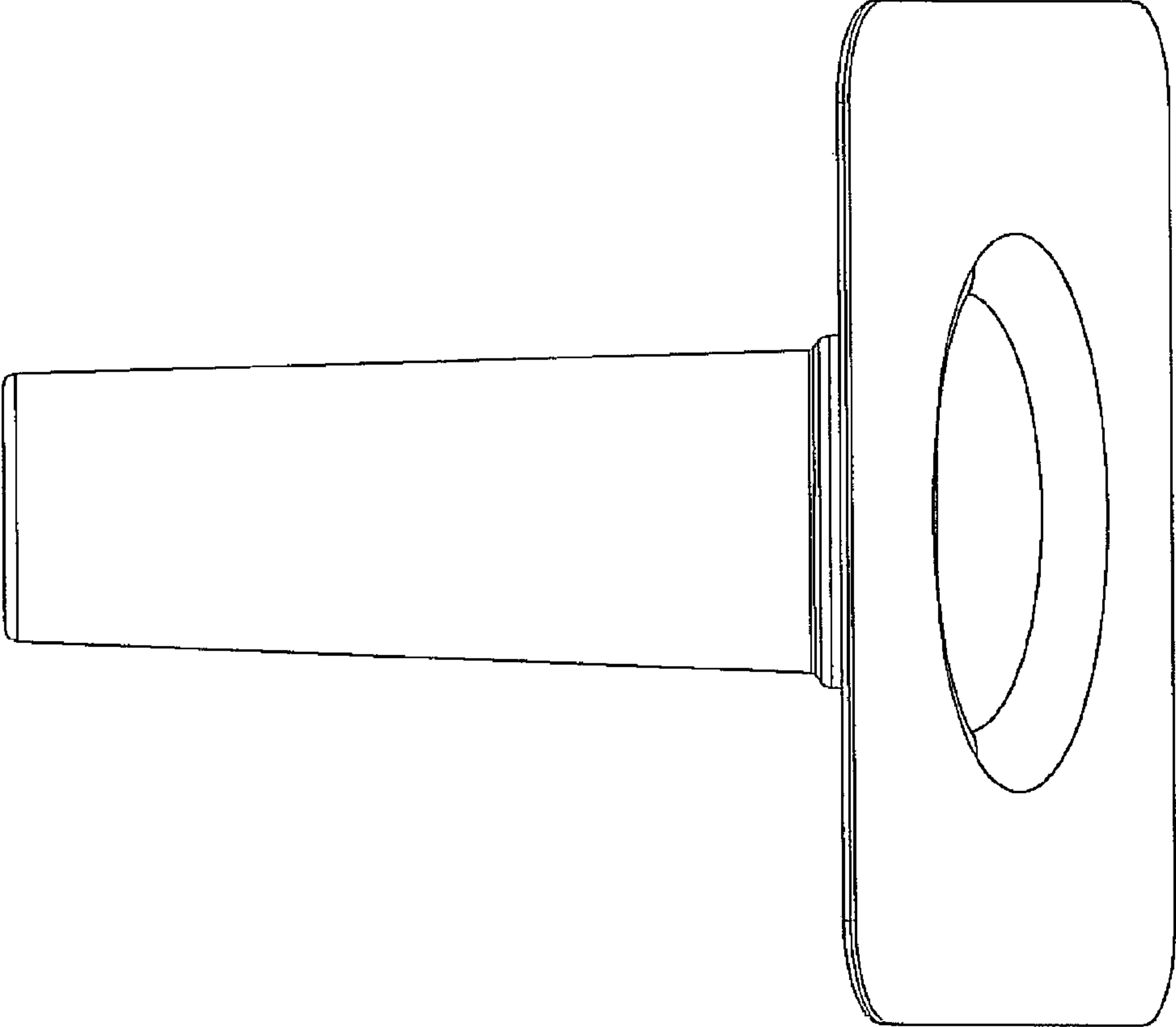


FIGURE 5

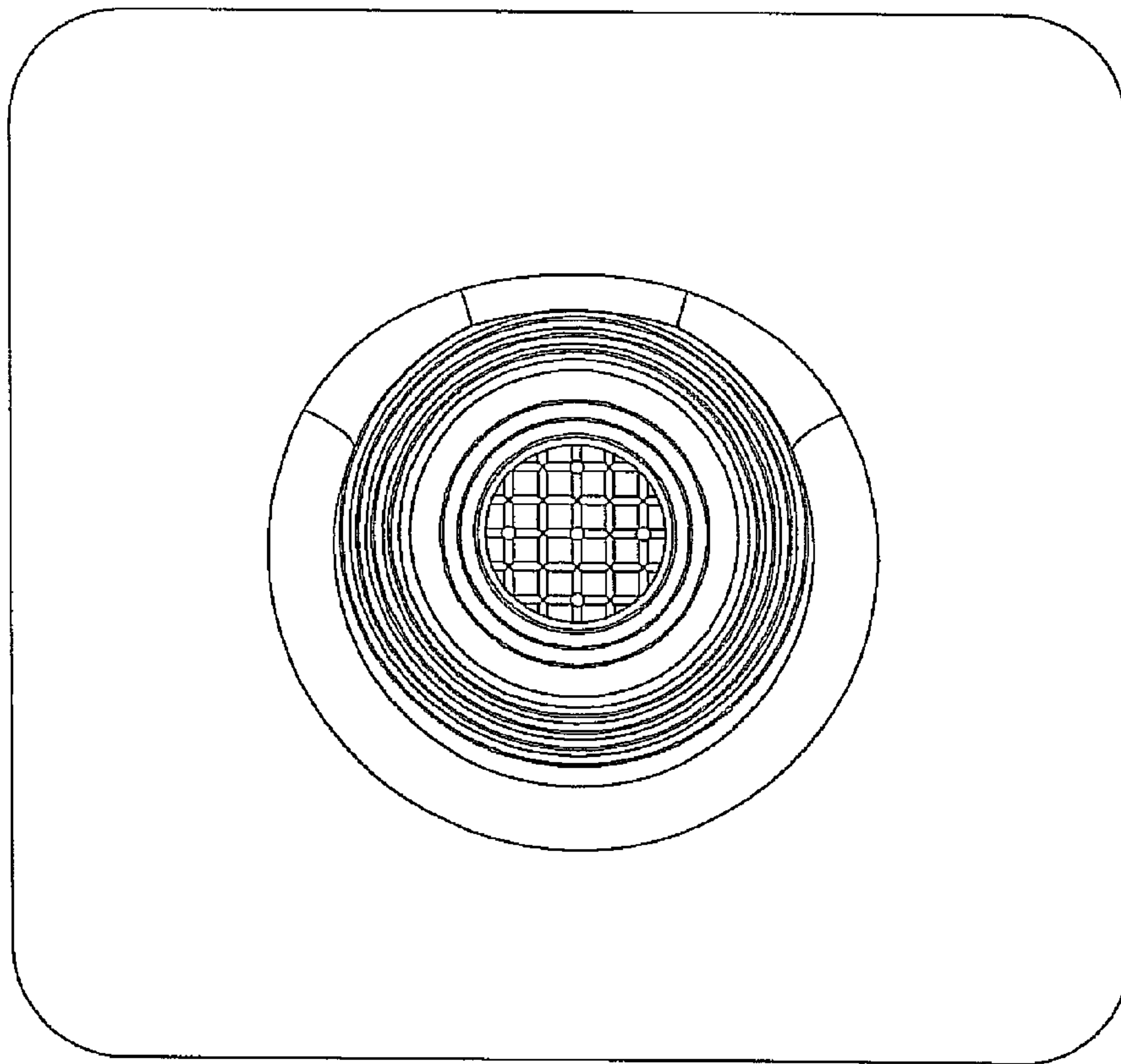


FIGURE 6