



US00D700368S

(12) **United States Design Patent**
Shen

(10) **Patent No.:** **US D700,368 S**

(45) **Date of Patent:** **** Feb. 25, 2014**

(54) **INTEGRAL WPC DIY TILE**

(75) Inventor: **Shuiliang Shen**, Huzhou (CN)

(73) Assignee: **Huzhou Xinfeng Wood Plastic Composite Co., Ltd.**, Huzhou (CN)

(**) Term: **14 Years**

(21) Appl. No.: **29/431,840**

(22) Filed: **Sep. 11, 2012**

(30) **Foreign Application Priority Data**

May 7, 2012 (CN) 2012 3 0153532

(51) **LOC (10) Cl.** **25-01**

(52) **U.S. Cl.**
USPC **D25/138**

(58) **Field of Classification Search**
USPC D25/138, 163, 157, 158, 160; 52/87,
52/177, 385, 384, 392, 591.2, 311.1,
52/311.3, 314, 316, 389, 302.1, 309.1,
52/309.3; 428/33, 172, 48, 49, 50, 52
See application file for complete search history.

(56) **References Cited**

U.S. PATENT DOCUMENTS

4,947,595 A * 8/1990 Douds et al. 52/177
D497,213 S * 10/2004 Poliacek et al. D25/138
7,516,587 B2 * 4/2009 Barlow 52/591.2
7,748,177 B2 * 7/2010 Jenkins et al. 52/177

* cited by examiner

Primary Examiner — Doris Clark

(74) *Attorney, Agent, or Firm* — Birch, Stewart, Kolasch & Birch, LLP

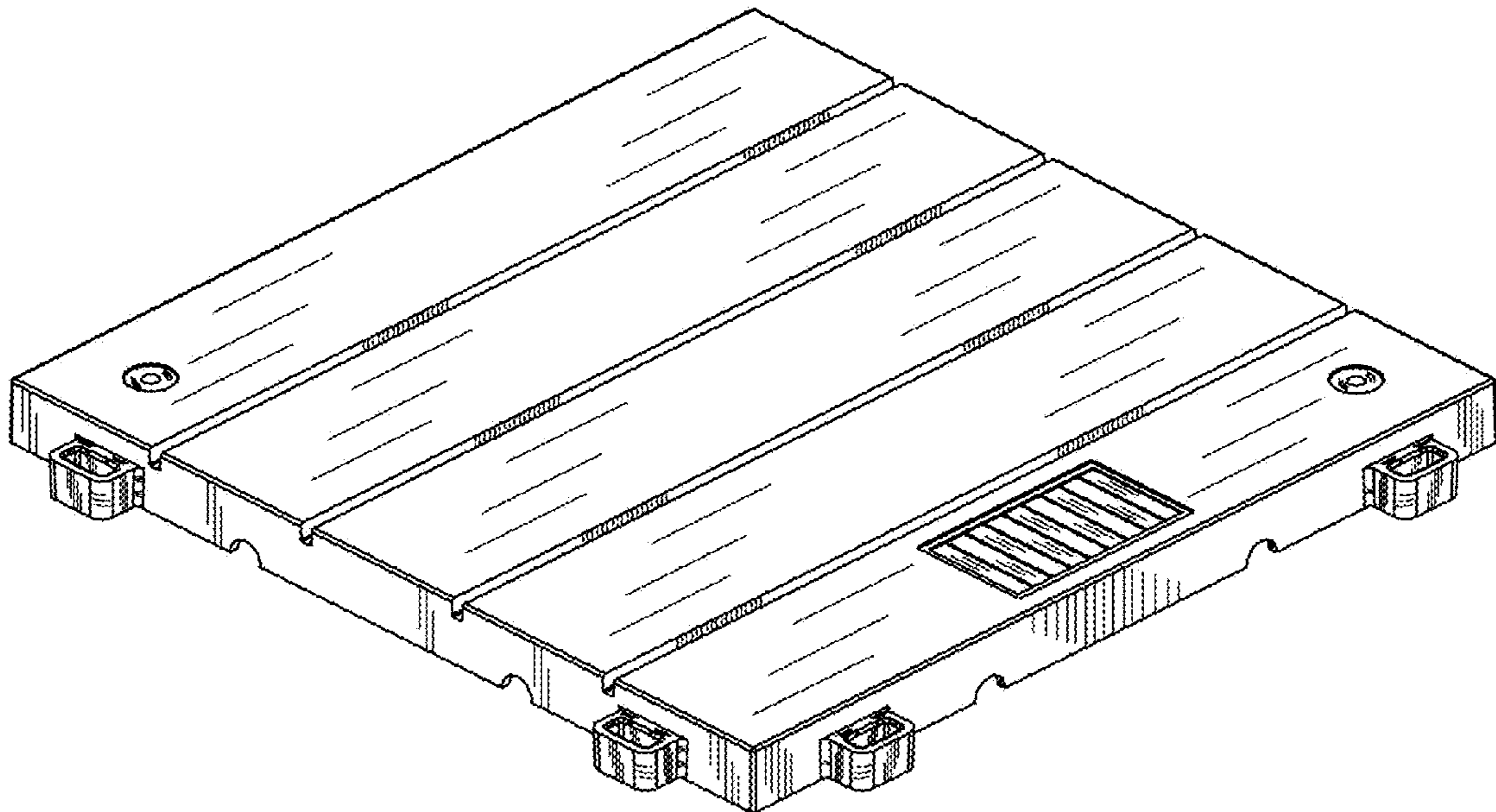
(57) **CLAIM**

The ornamental design for an integral WPC DIY tile, as shown and described.

DESCRIPTION

FIG. 1 is a top perspective view of a integral WPC DIY tile showing my new design;
FIG. 2 is a top plan view thereof;
FIG. 3 is a front elevational view thereof;
FIG. 4 is a rear elevational view thereof;
FIG. 5 is a left side elevational view thereof; and,
FIG. 6 is a right side elevational view thereof.
The bottom is not ornamental.

1 Claim, 6 Drawing Sheets



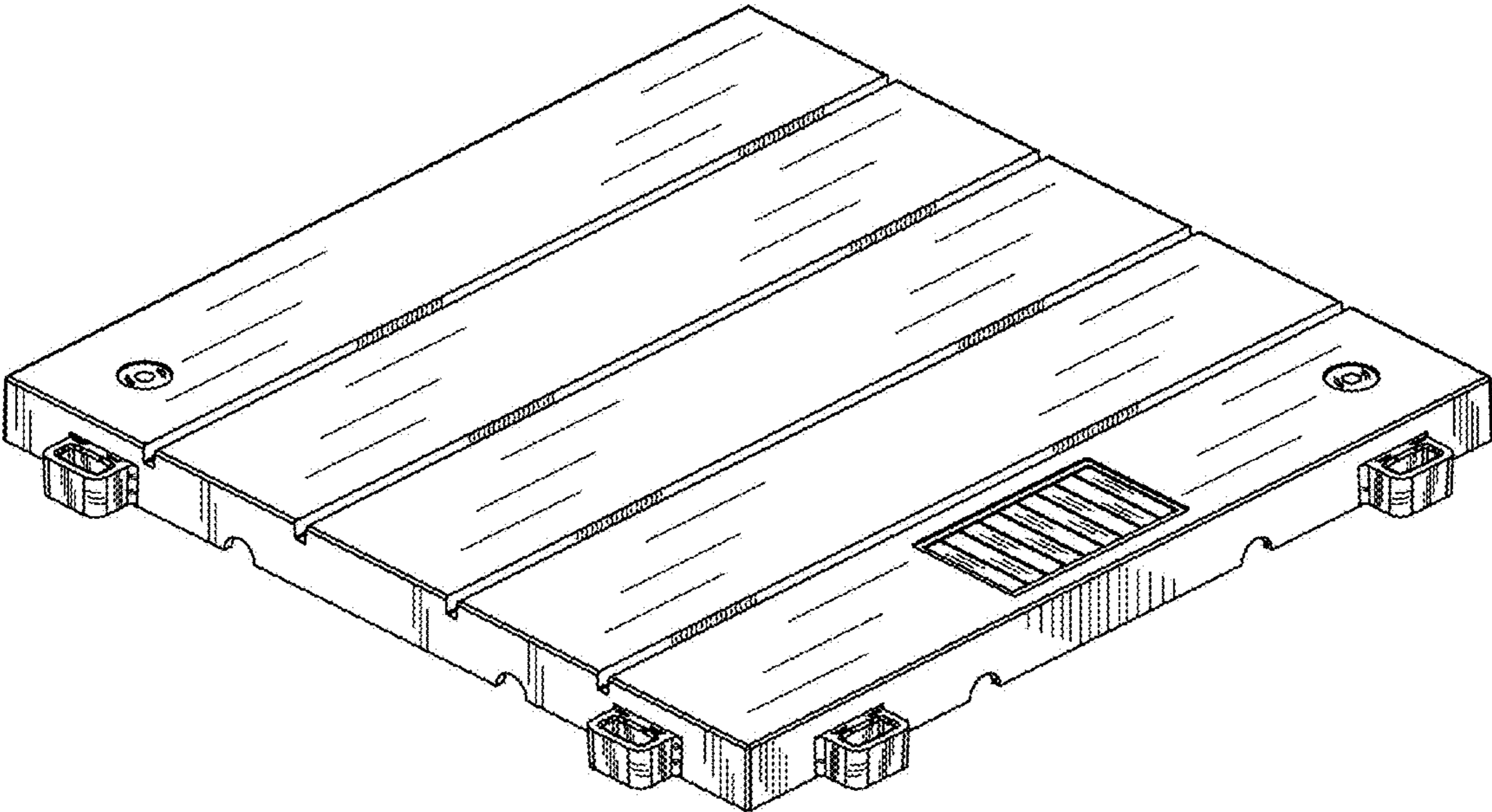


FIG.1

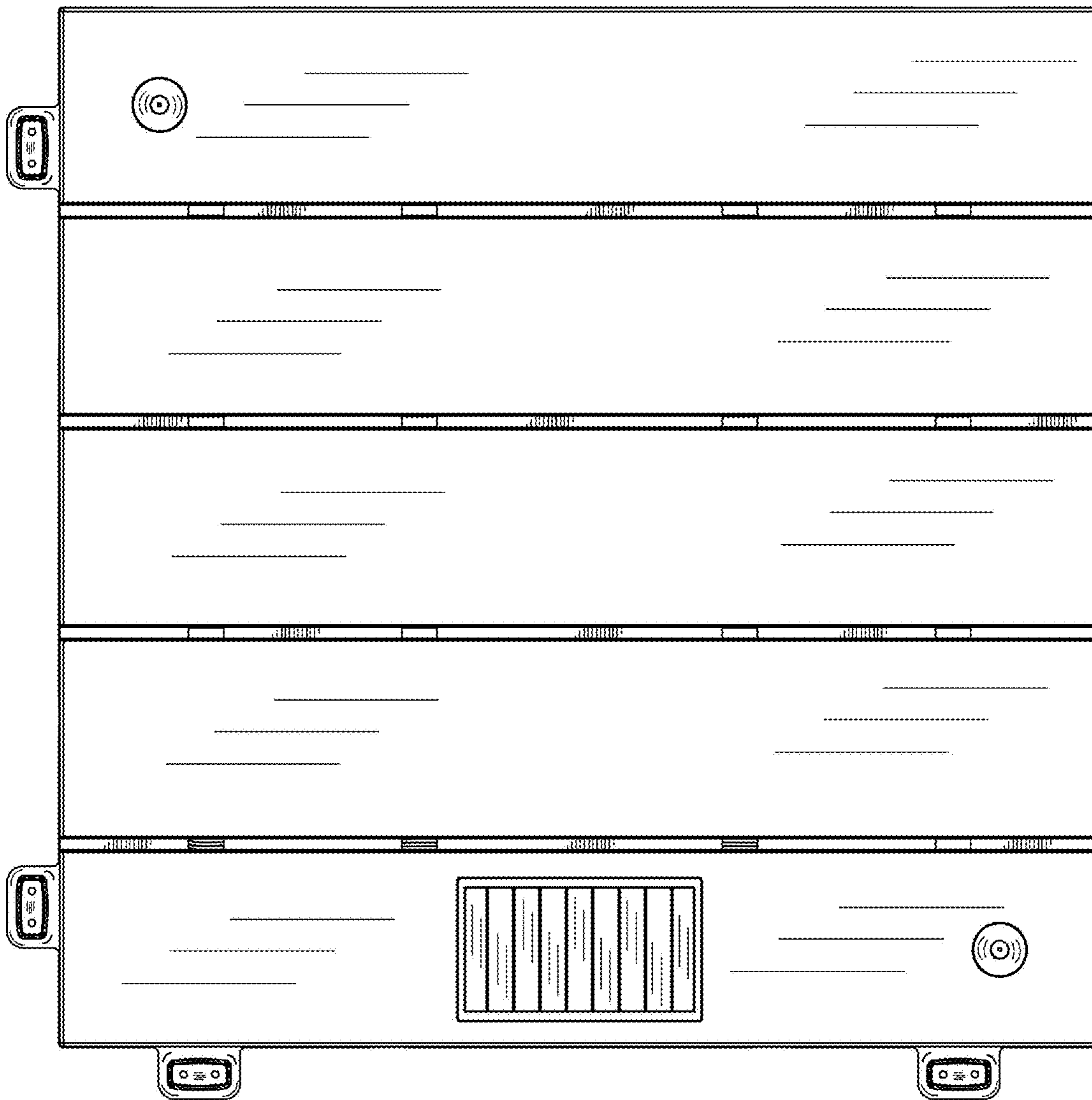


FIG. 2



FIG.3



FIG.4

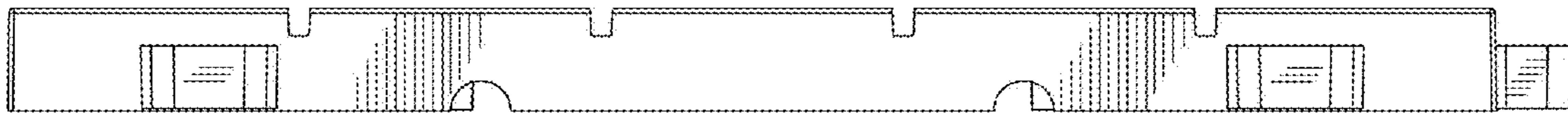


FIG.5



FIG.6