



US00D700361S

(12) **United States Design Patent**
Green

(10) **Patent No.:** **US D700,361 S**

(45) **Date of Patent:** **** Feb. 25, 2014**

(54) **LADDER TRAY**

(75) Inventor: **Jeffrey Green**, Bartlesville, OK (US)

(73) Assignee: **Lock N Climb, LLC**, Bartlesville, OK (US)

(**) Term: **14 Years**

(21) Appl. No.: **29/431,788**

(22) Filed: **Sep. 11, 2012**

(51) **LOC (10) Cl.** **25-04**

(52) **U.S. Cl.**
USPC **D25/68**

(58) **Field of Classification Search**
USPC D25/68; 248/210, 238; 182/107, 108,
182/129

See application file for complete search history.

(56) **References Cited**

U.S. PATENT DOCUMENTS

2,444,096	A *	6/1948	Faust	220/570
6,401,862	B1 *	6/2002	Caron	182/129
D541,432	S *	4/2007	Rapp	D25/68
2005/0247838	A1 *	11/2005	Zodnik	248/238

* cited by examiner

Primary Examiner — Doris Clark

(74) *Attorney, Agent, or Firm* — Michael Stanley Tomsa; Katten Muchin Rosenman LLP

(57) **CLAIM**

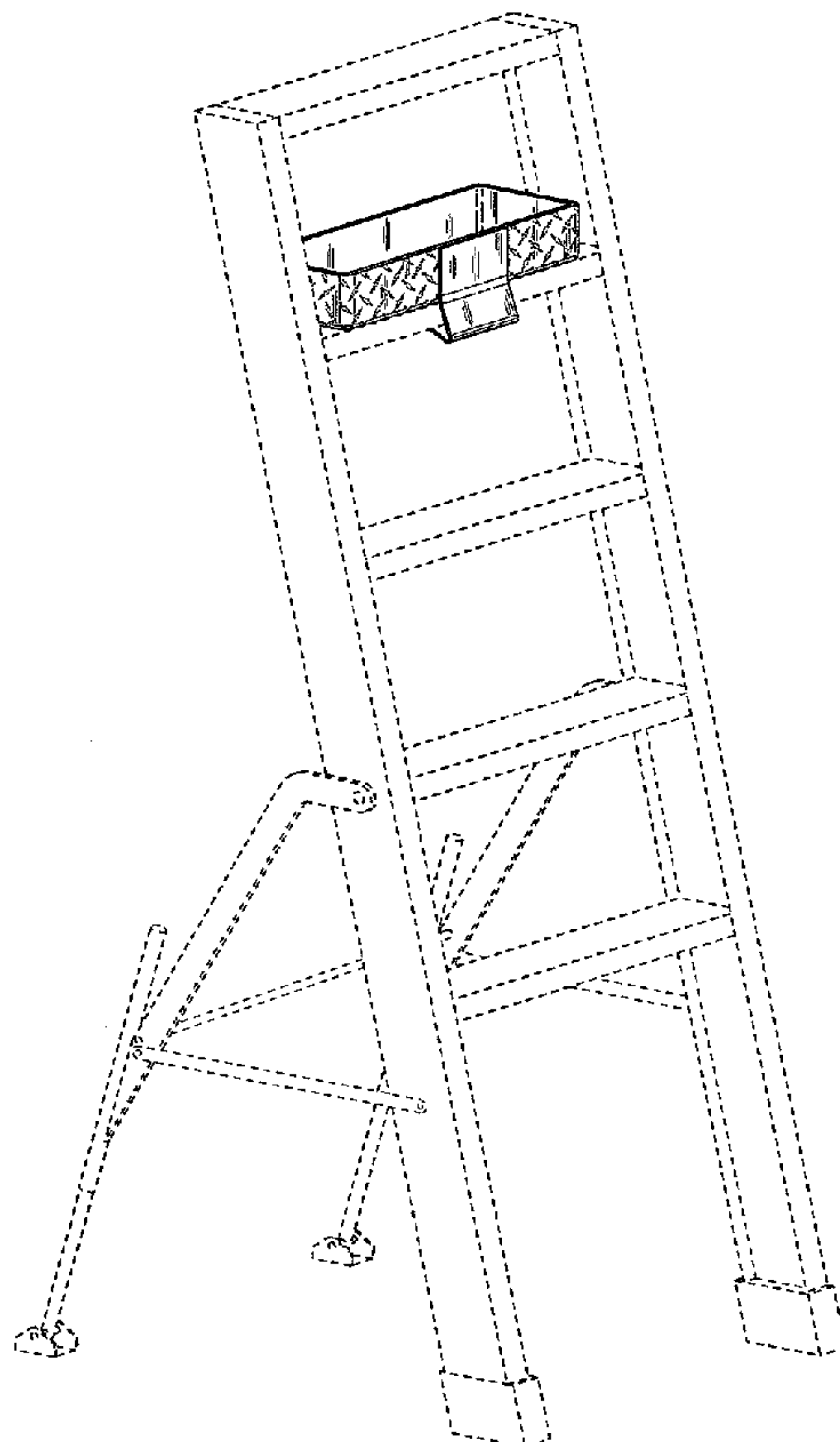
The ornamental design for the ladder tray, as shown and described.

DESCRIPTION

FIG. 1 is a front perspective view of a ladder tray of the present invention;
 FIG. 2 is a rear perspective view of the ladder tray;
 FIG. 3 is a frontal view of the ladder tray;
 FIG. 4 is a rear view of the ladder tray;
 FIG. 5 is a first side view of the ladder tray;
 FIG. 6 is a second side view of the ladder tray;
 FIG. 7 is a top view of the ladder tray;
 FIG. 8 is a bottom view of the ladder tray;
 FIG. 9 is a front perspective view of the ladder tray coupled with a ladder; and,
 FIG. 10 is a rear perspective view of the ladder tray coupled with a ladder.

The broken lines shown in the views are for illustrative purposes only and form no part of the claimed design.

1 Claim, 4 Drawing Sheets



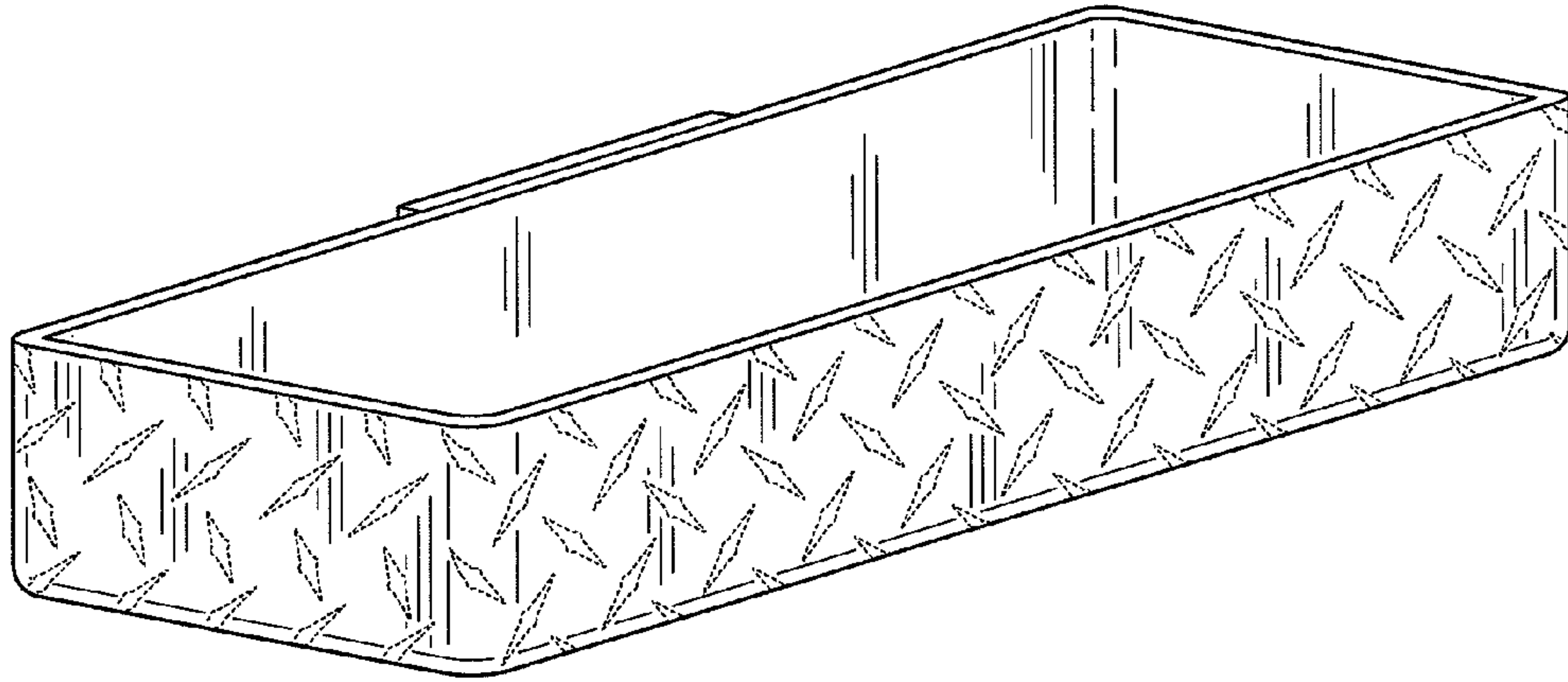


FIG. 1

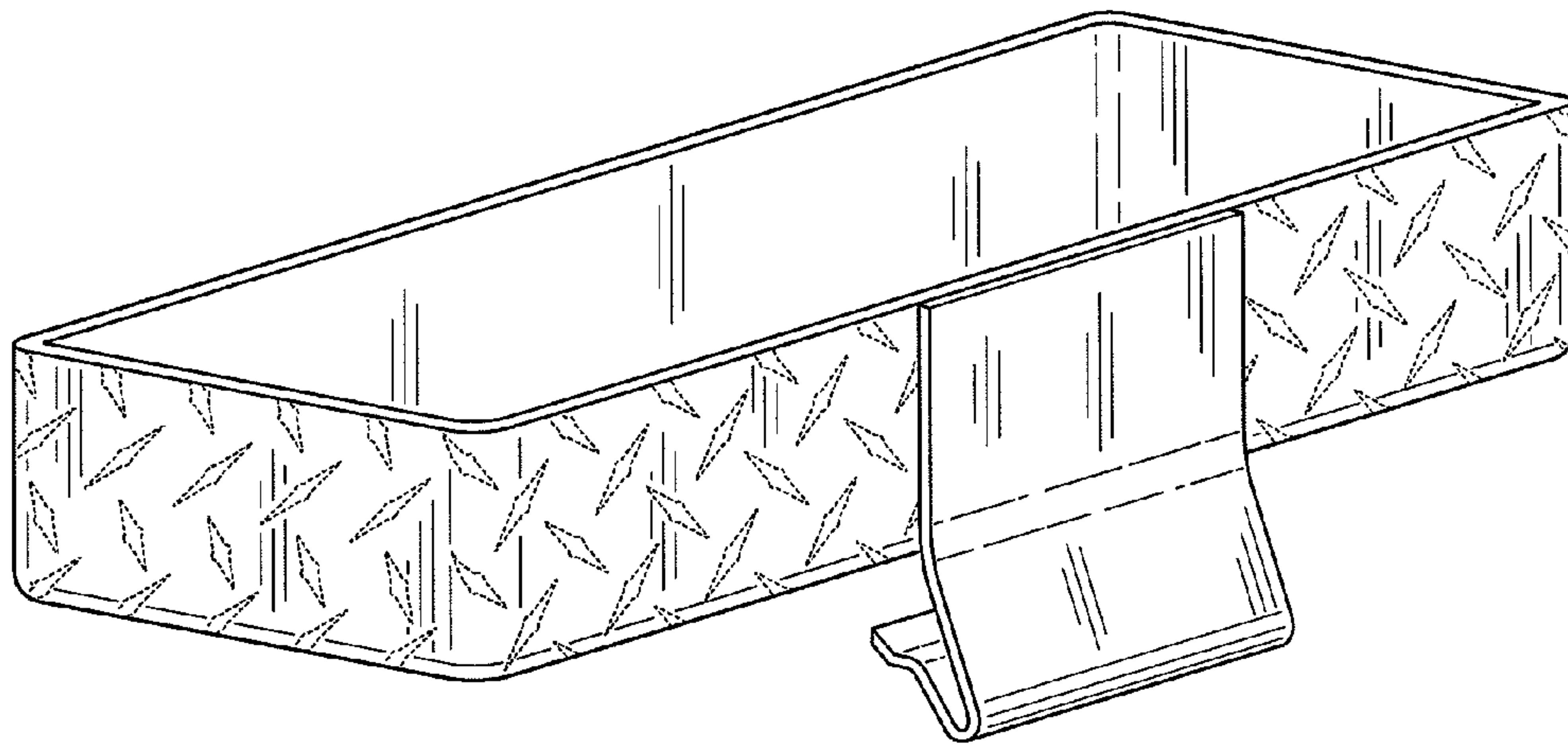


FIG. 2

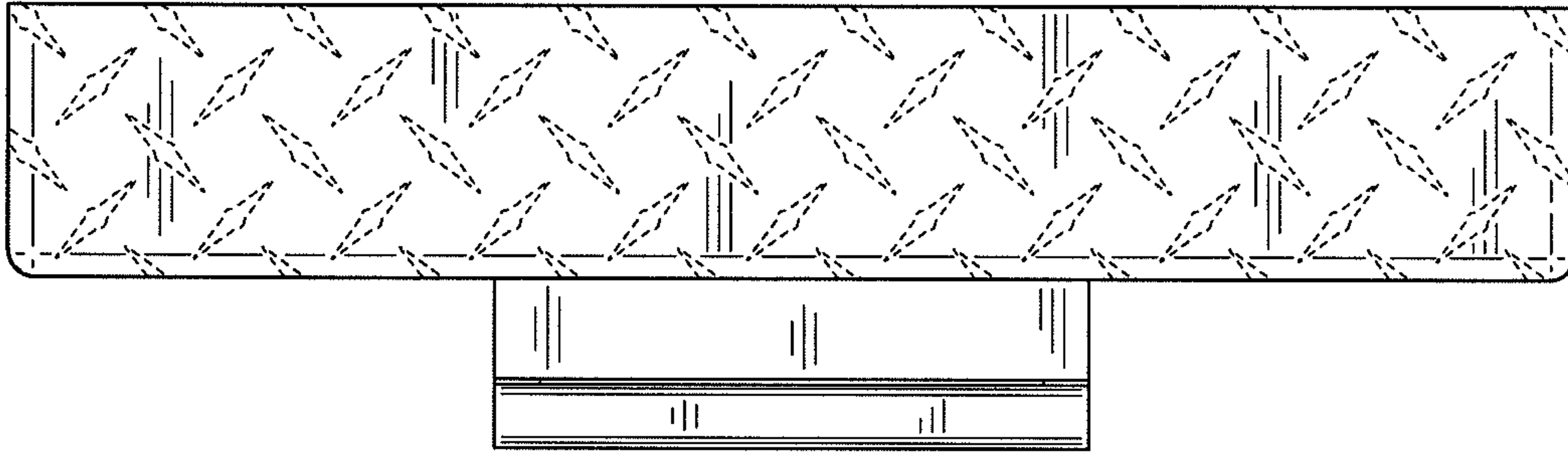


FIG. 3

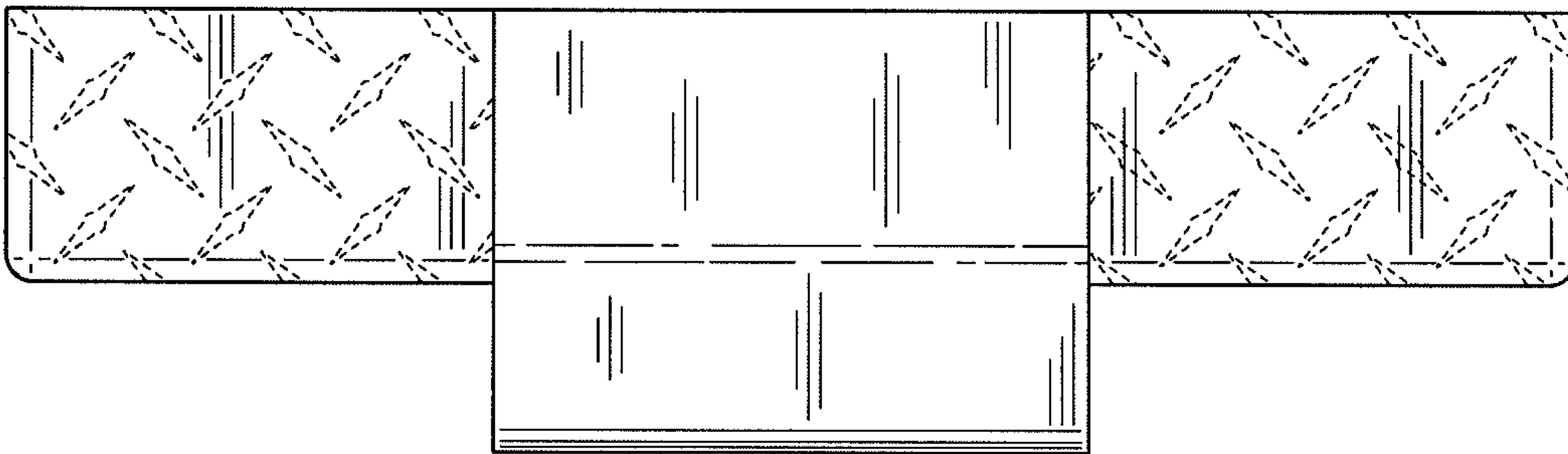


FIG. 4

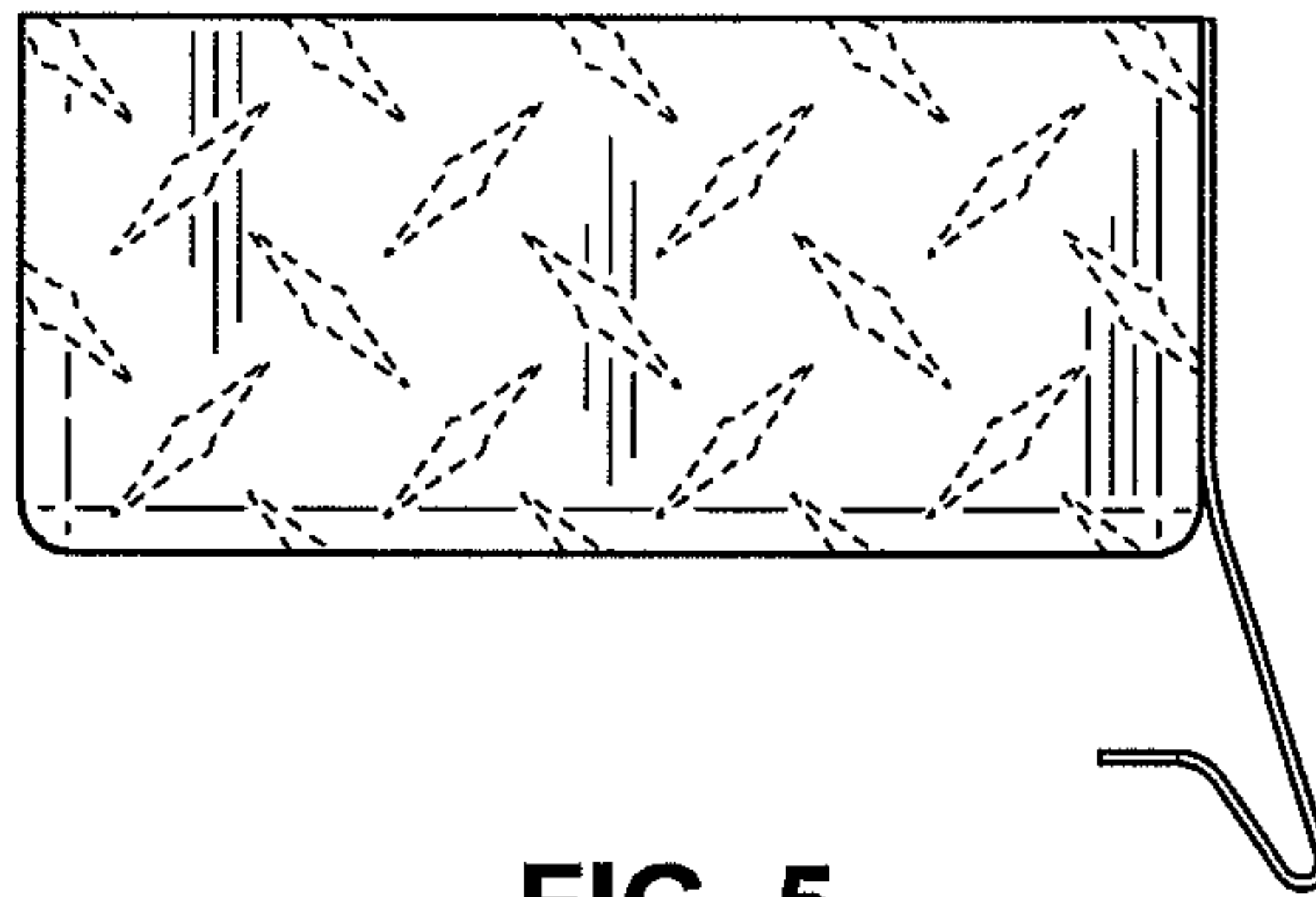


FIG. 5

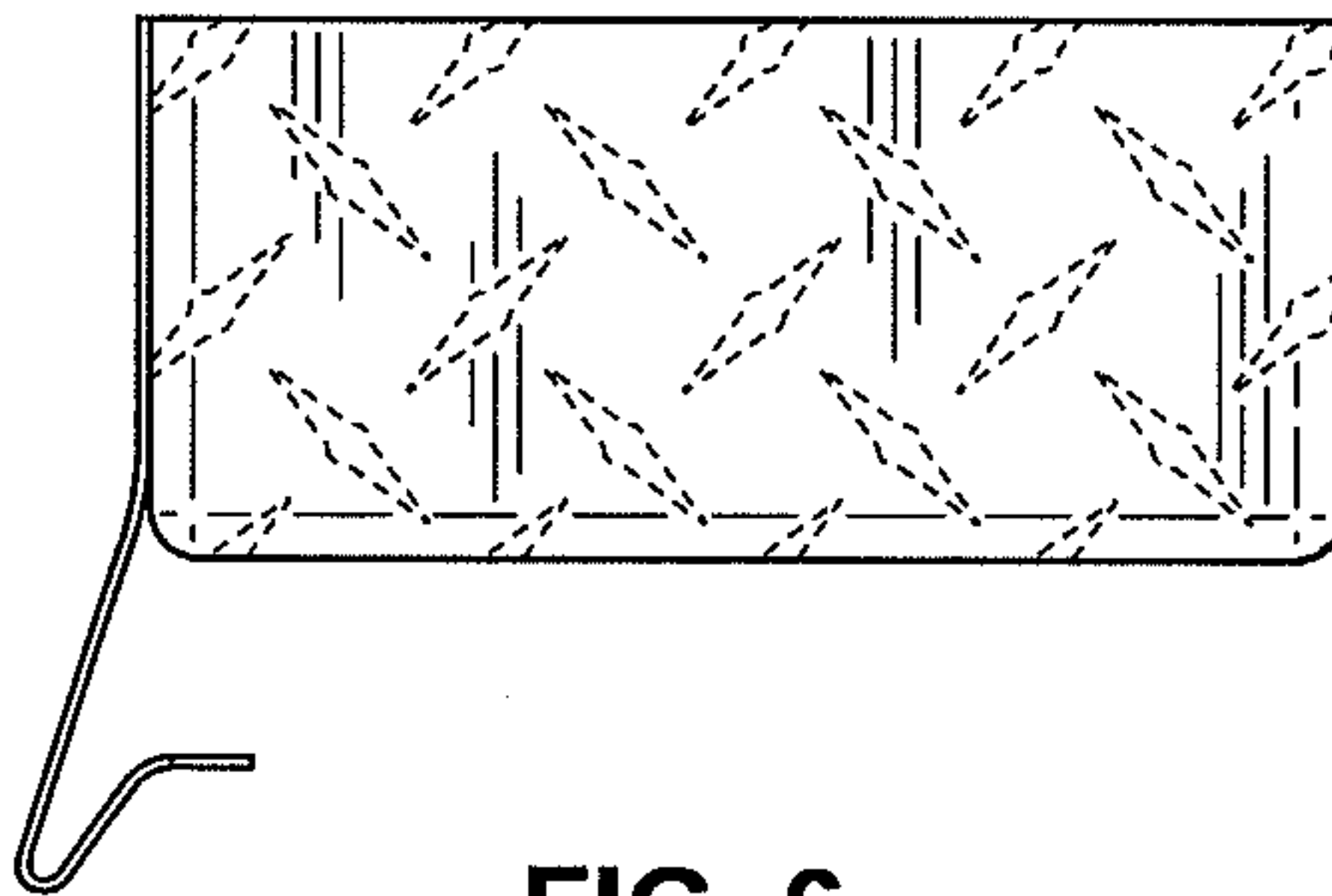


FIG. 6

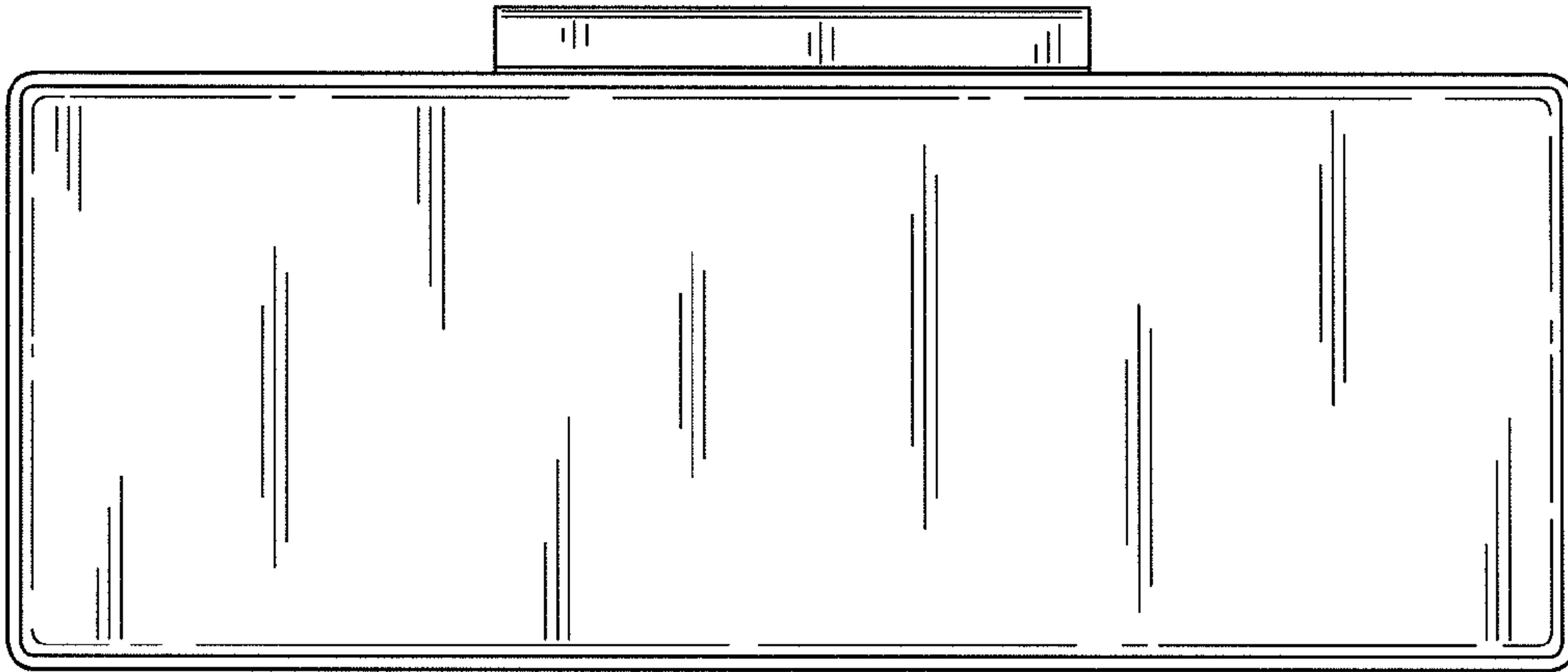


FIG. 7

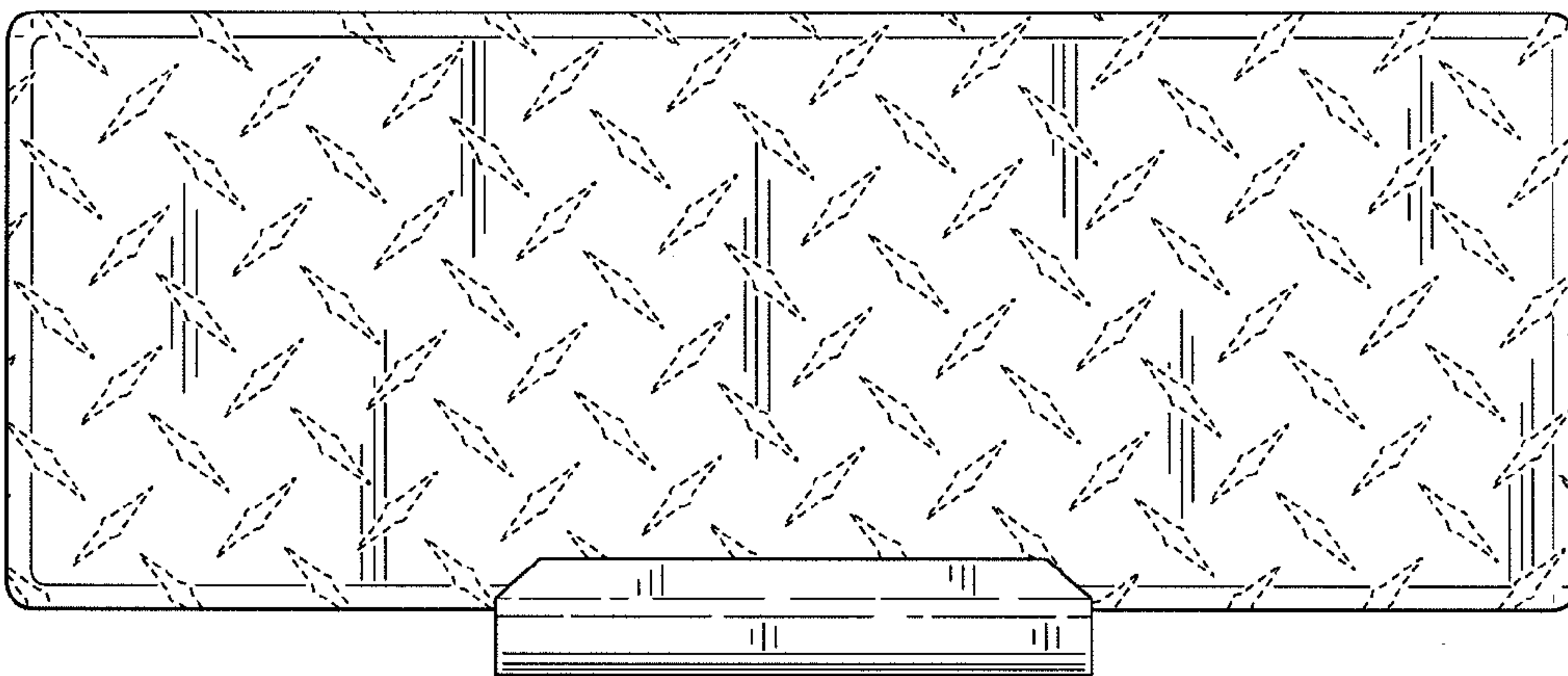


FIG. 8

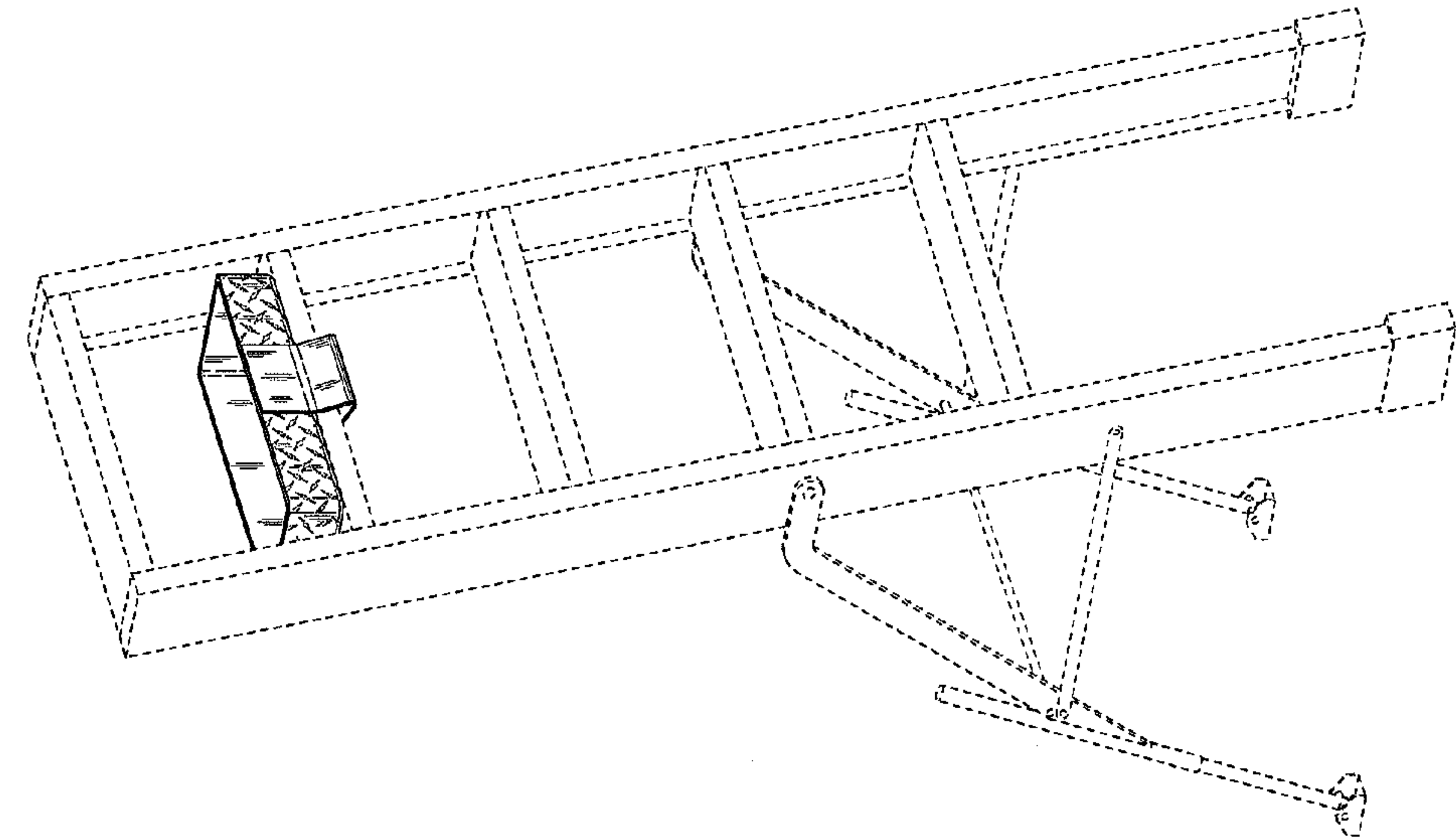


FIG. 10

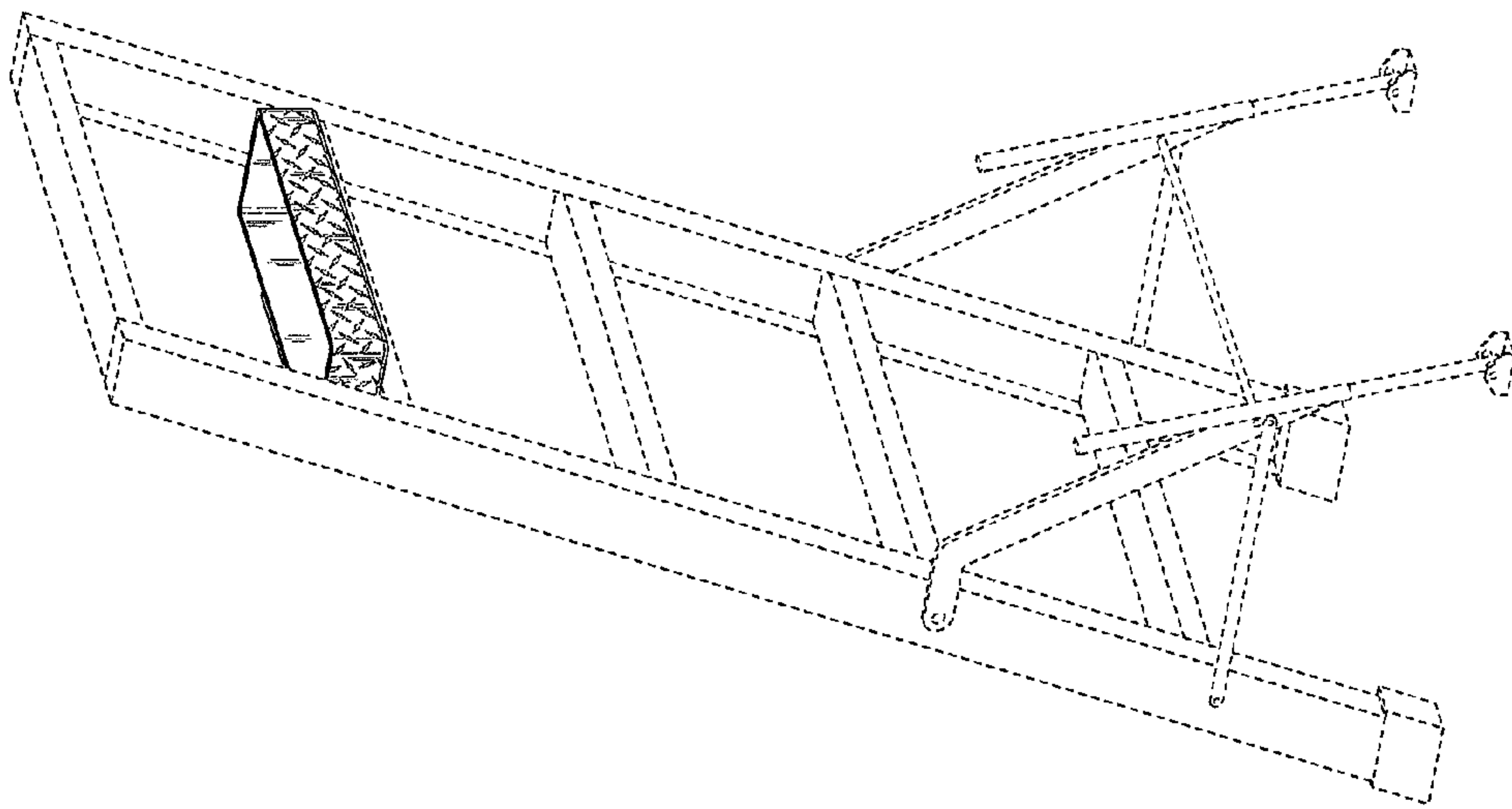


FIG. 9