



US00D700359S

(12) **United States Design Patent**
Elizarraras et al.

(10) **Patent No.:** **US D700,359 S**
(45) **Date of Patent:** **** *Feb. 25, 2014**

(54) **WALL JUNCTION**

OTHER PUBLICATIONS

(75) Inventors: **George Elizarraras**, Fontana, CA (US);
Bjorn Gunderson, Fontana, CA (US);
Dale Knox, Fontana, CA (US); **Kevin O’Leary**, Fontana, CA (US); **Adam Ruggles**, Fontana, CA (US); **Marko Suput**, Fontana, CA (US); **Jason Ward**, Fontana, CA (US)

“Easytrim Reveals—Combo Booklet” as downloaded Feb. 4, 2012 from <http://easytrimreveals.com/PDF/ComboBooklet/EZ-ComboBook-Website-Feb4.pdf>.

Primary Examiner — Doris Clark
(74) *Attorney, Agent, or Firm* — Knobbe Martens Olson & Bear, LLP

(73) Assignee: **James Hardie Technology Limited**, Dublin (IE)

(57) **CLAIM**
The ornamental design for the wall junction, as shown and described.

(*) Notice: This patent is subject to a terminal disclaimer.

DESCRIPTION

(**) Term: **14 Years**

FIG. 1 is a front perspective view of a first embodiment of the wall junction illustrated with a panelized wall system.

(21) Appl. No.: **29/424,246**

FIG. 2 is a front perspective view of the wall junction in FIG. 1.

(22) Filed: **Jun. 8, 2012**

FIG. 3 is a front view of the wall junction in FIG. 1.

(51) **LOC (10) Cl.** **25-02**

FIG. 4 is a rear view of the wall junction in FIG. 1.

(52) **U.S. Cl.** **D25/55**

FIG. 5 is a left side view of the wall junction in FIG. 1. The right side view is a mirror image of the left side view.

(58) **Field of Classification Search**

FIG. 6 is a top view of the wall junction in FIG. 1. The bottom view is a mirror image of the top view.

USPC 52/236.6, 264, 272, 287.1, 255, 242, 52/293.1, 169.12, 434, 435, 800.1, 716.1, 52/717.01, 716.8, 718.01, 718.04, 11, 13, 52/14, 15, 58, 213, 60, 61, 62, 290, 220.7, 52/211, 204.53, 92.1, 93.1, 271, 273, 277, 52/395, 417, 459; D25/119, 136, 55

FIG. 7 is a front perspective view of a second embodiment of the wall junction illustrated with a panelized wall system.

See application file for complete search history.

FIG. 8 is a front perspective view of the wall junction in FIG. 7.

(56) **References Cited**

U.S. PATENT DOCUMENTS

3,239,980 A * 3/1966 Sherron 52/27.5
4,918,879 A * 4/1990 Bodurow et al. 52/36.6

FIG. 9 is a front view of the wall junction in FIG. 7.

FIG. 10 is a rear view of the wall junction in FIG. 7.

FIG. 11 is a left side view of the wall junction in FIG. 7. The right side view is a mirror image of the left side view.

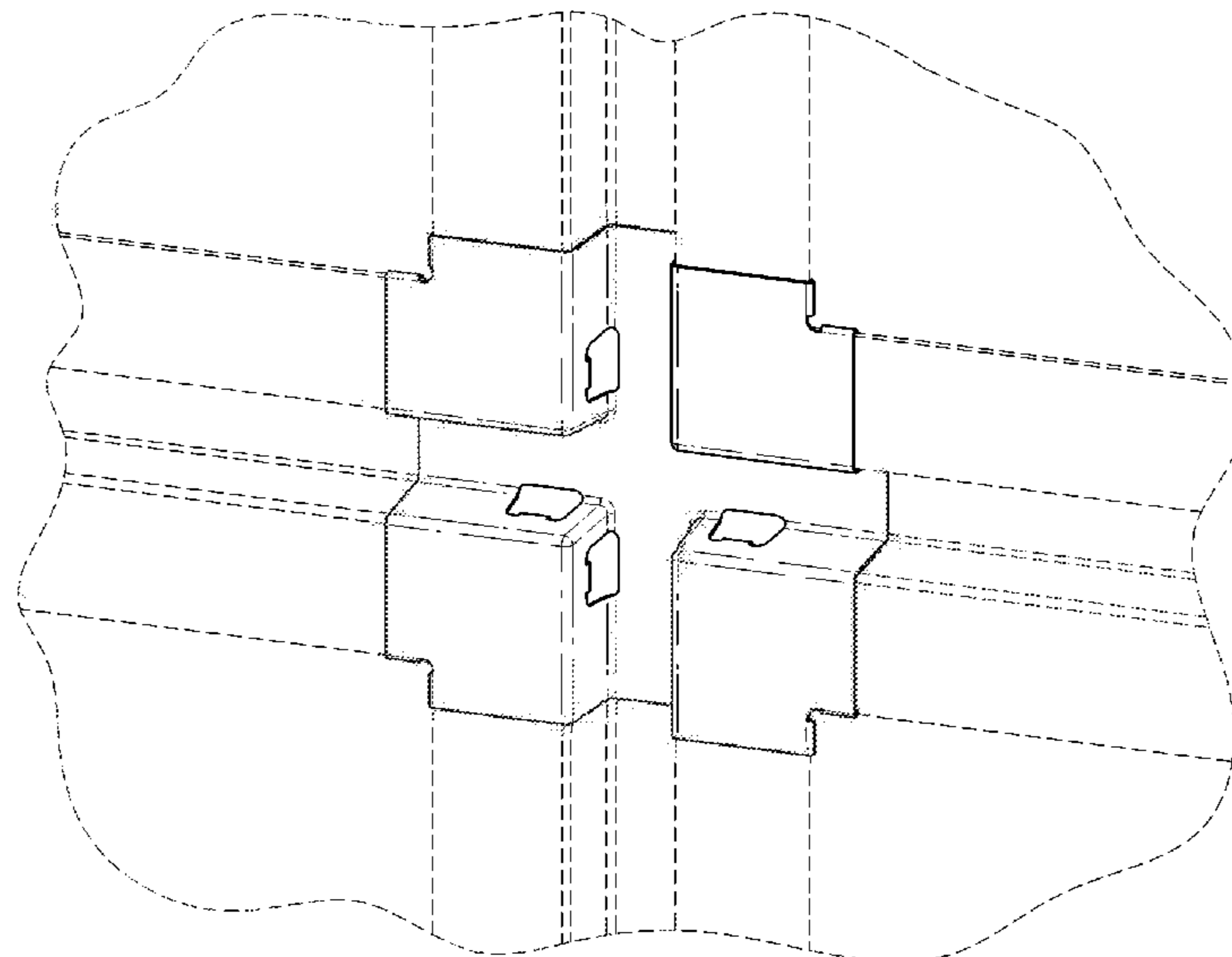
FIG. 12 is a top view of the wall junction in FIG. 7; and,

FIG. 13 is a bottom view of the wall junction in FIG. 7.

The broken lines are for illustrative purposes only and form no part of the claimed design.

(Continued)

1 Claim, 8 Drawing Sheets



US D700,359 S

Page 2

(56)

References Cited

U.S. PATENT DOCUMENTS

5,073,430 A *	12/1991	Aidan	428/43	6,341,458 B1 *	1/2002	Burt	52/287.1
5,579,623 A	12/1996	Stark		D464,153 S *	10/2002	Krieger	D25/136
6,018,924 A *	2/2000	Tamlyn	52/716.8	D594,563 S *	6/2009	Polston	D25/55
				7,895,802 B2 *	3/2011	Kurz	52/468

* cited by examiner

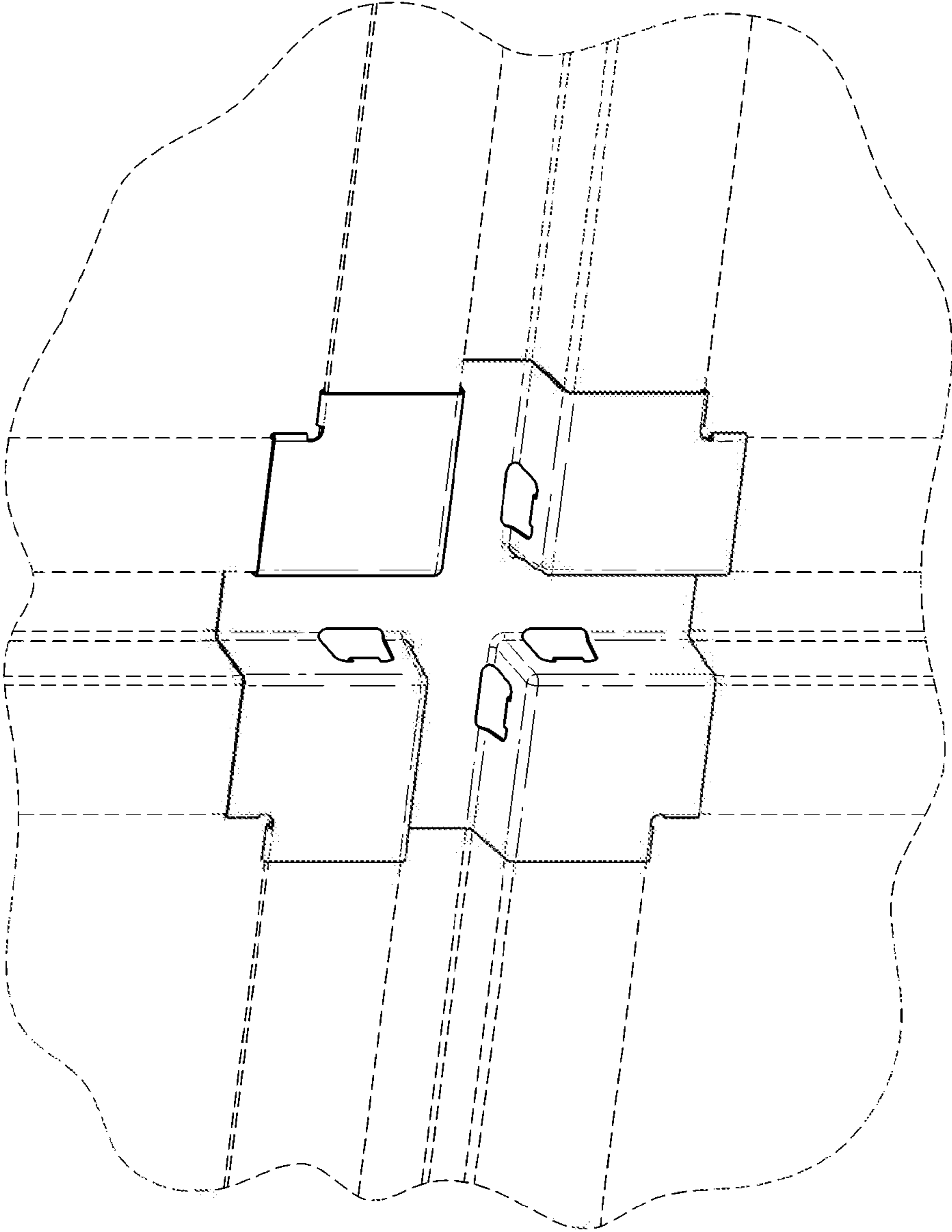


FIG. 1

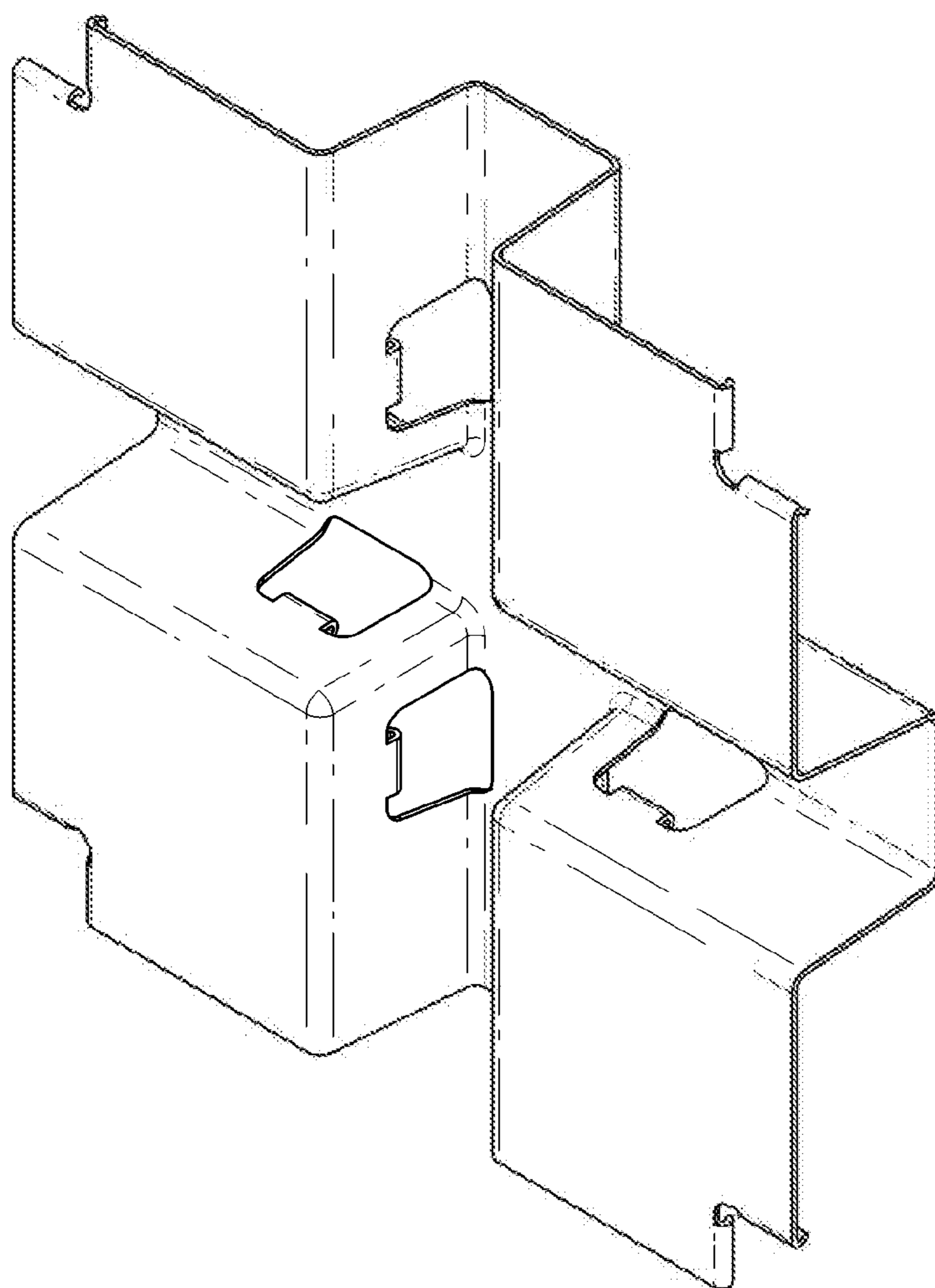


FIG. 2

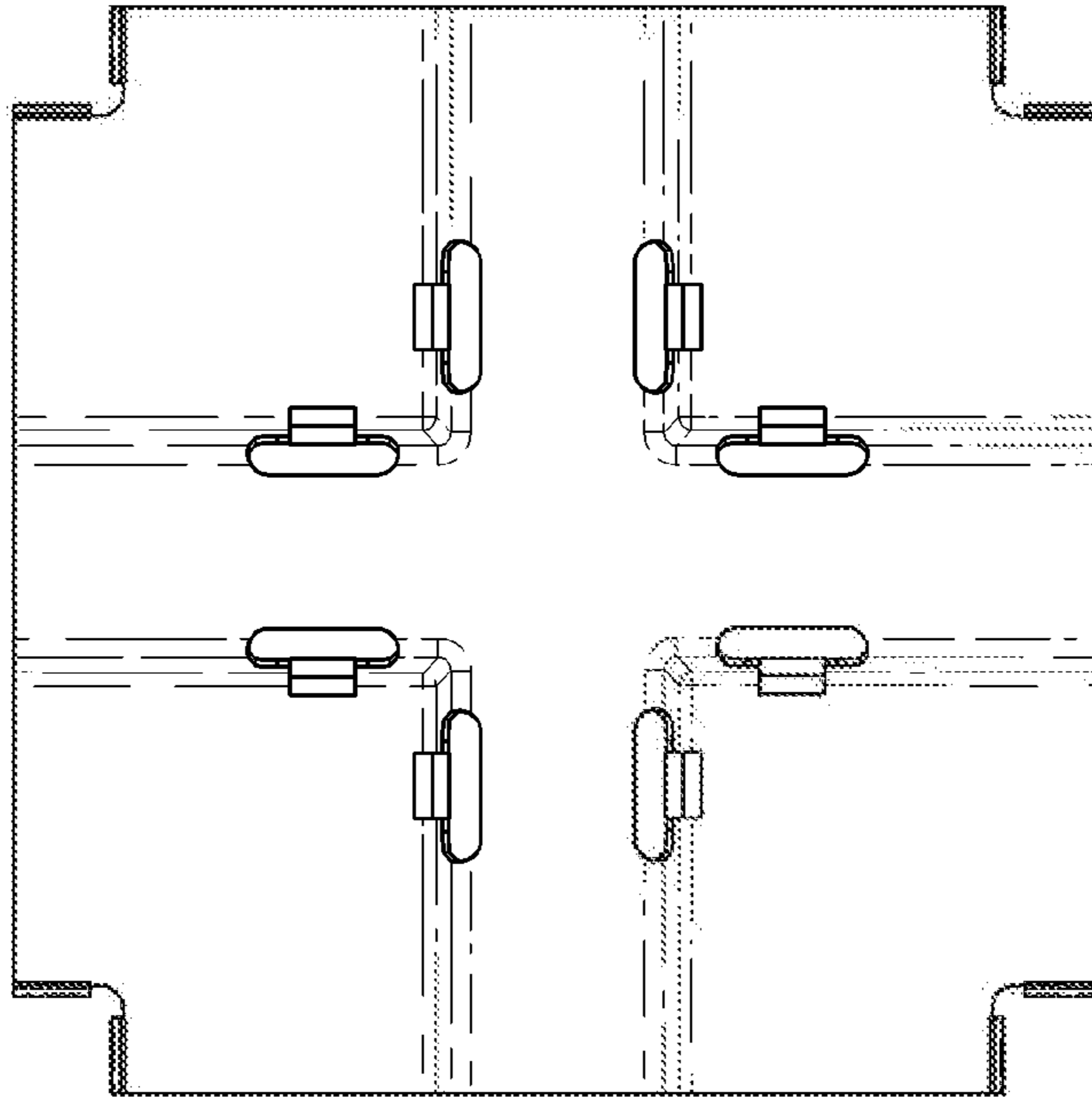


FIG. 4

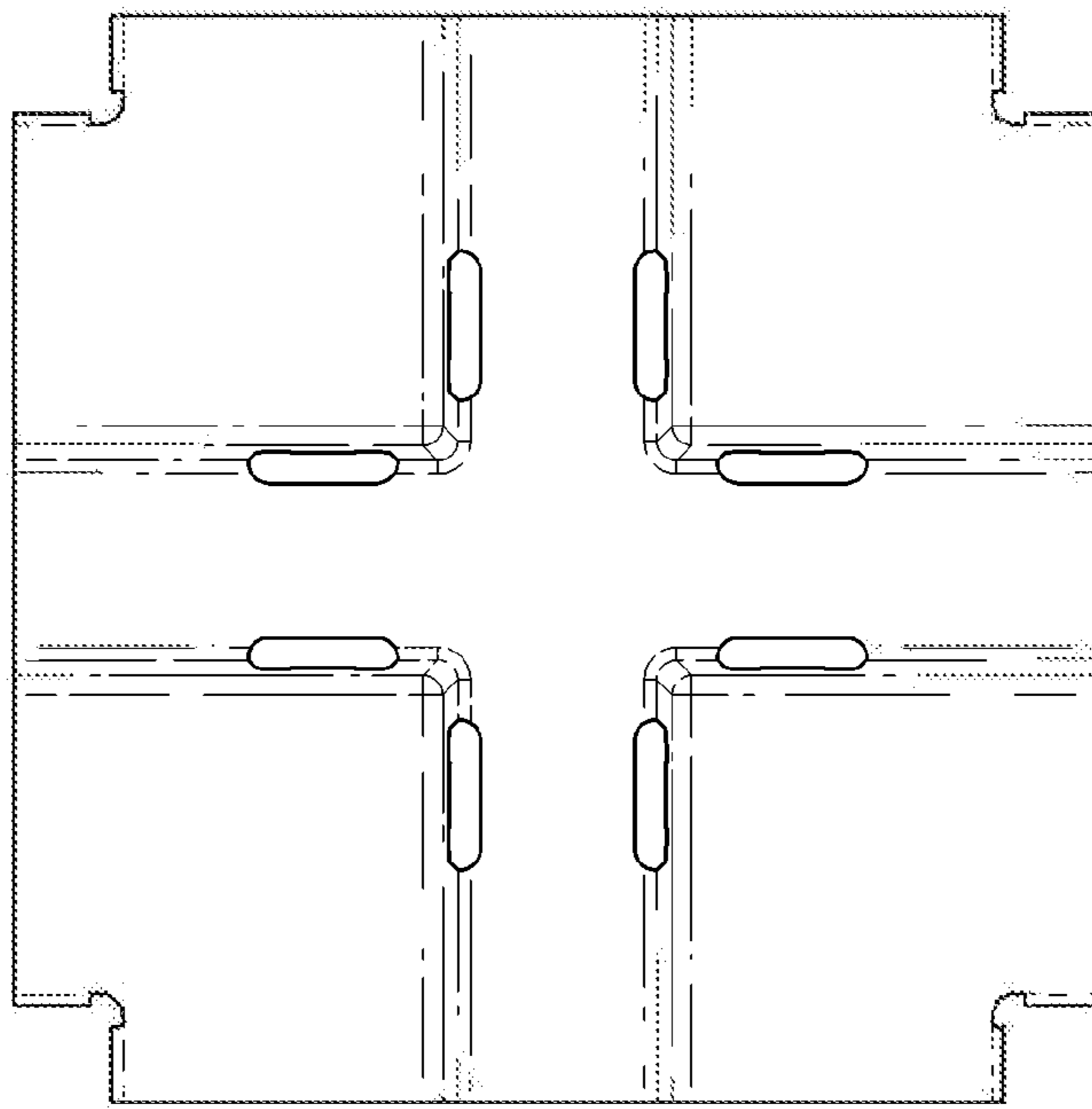


FIG. 3

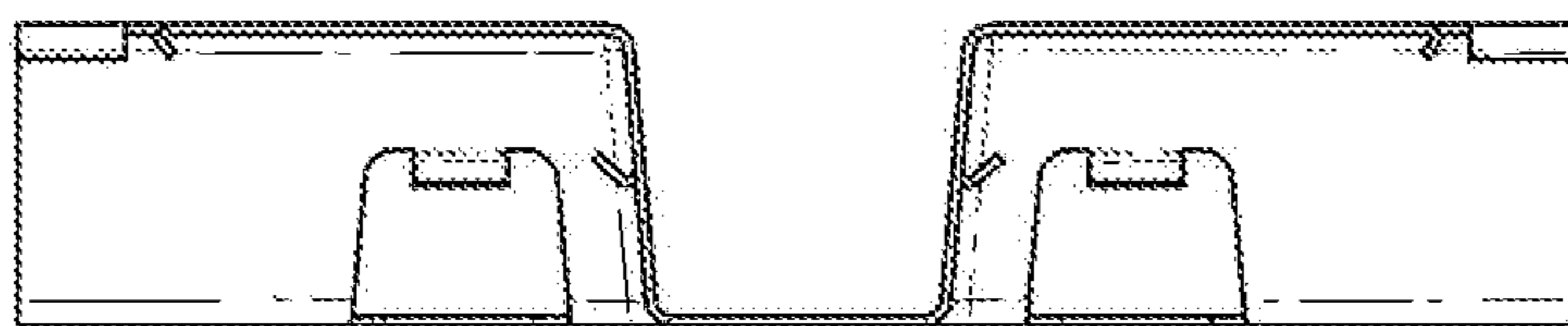


FIG. 5

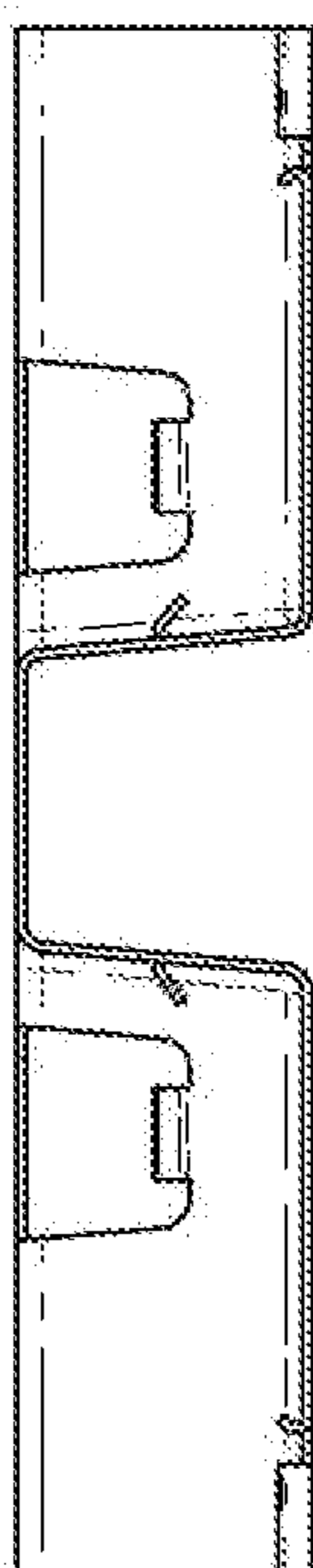


FIG. 6

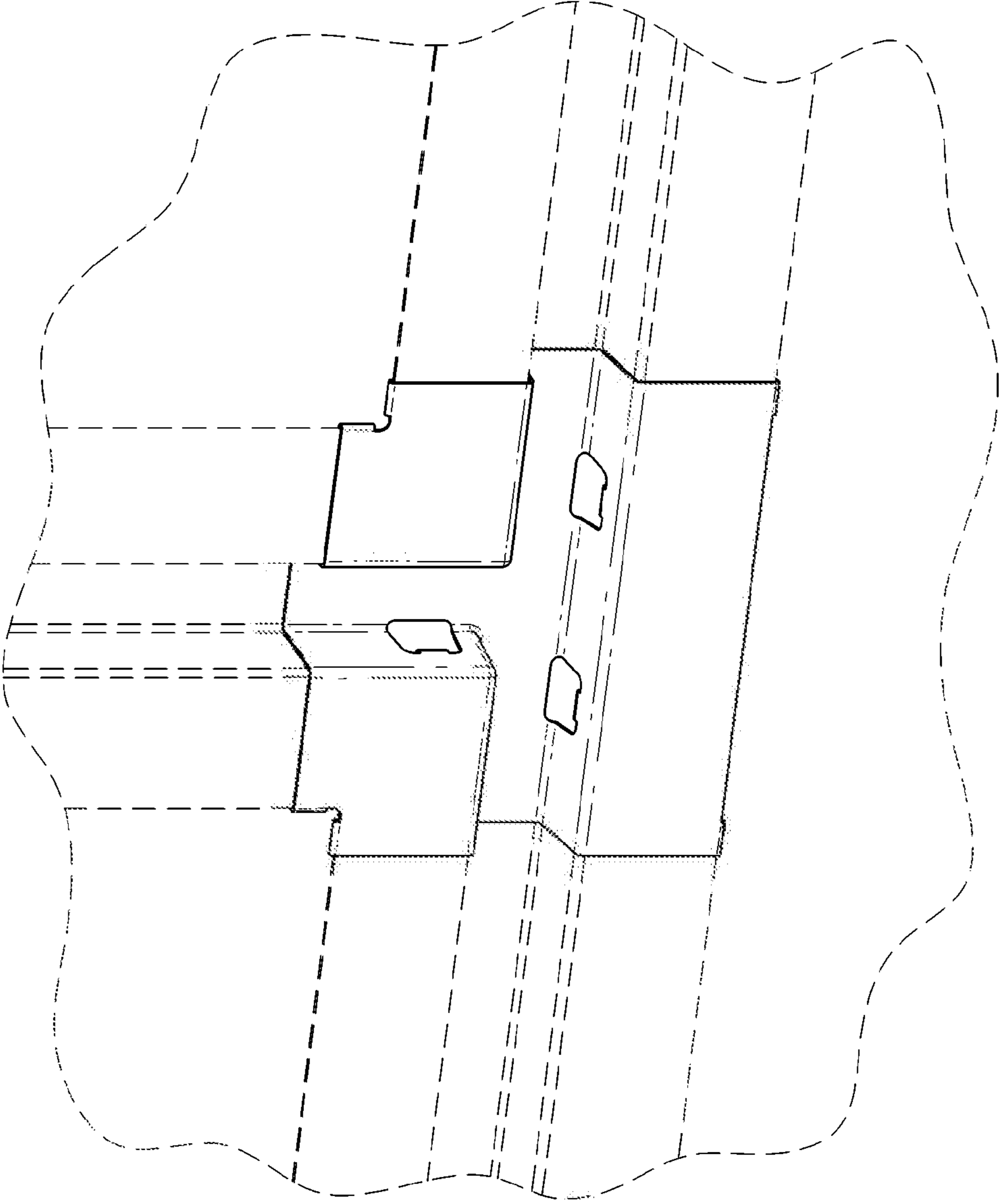


FIG. 7

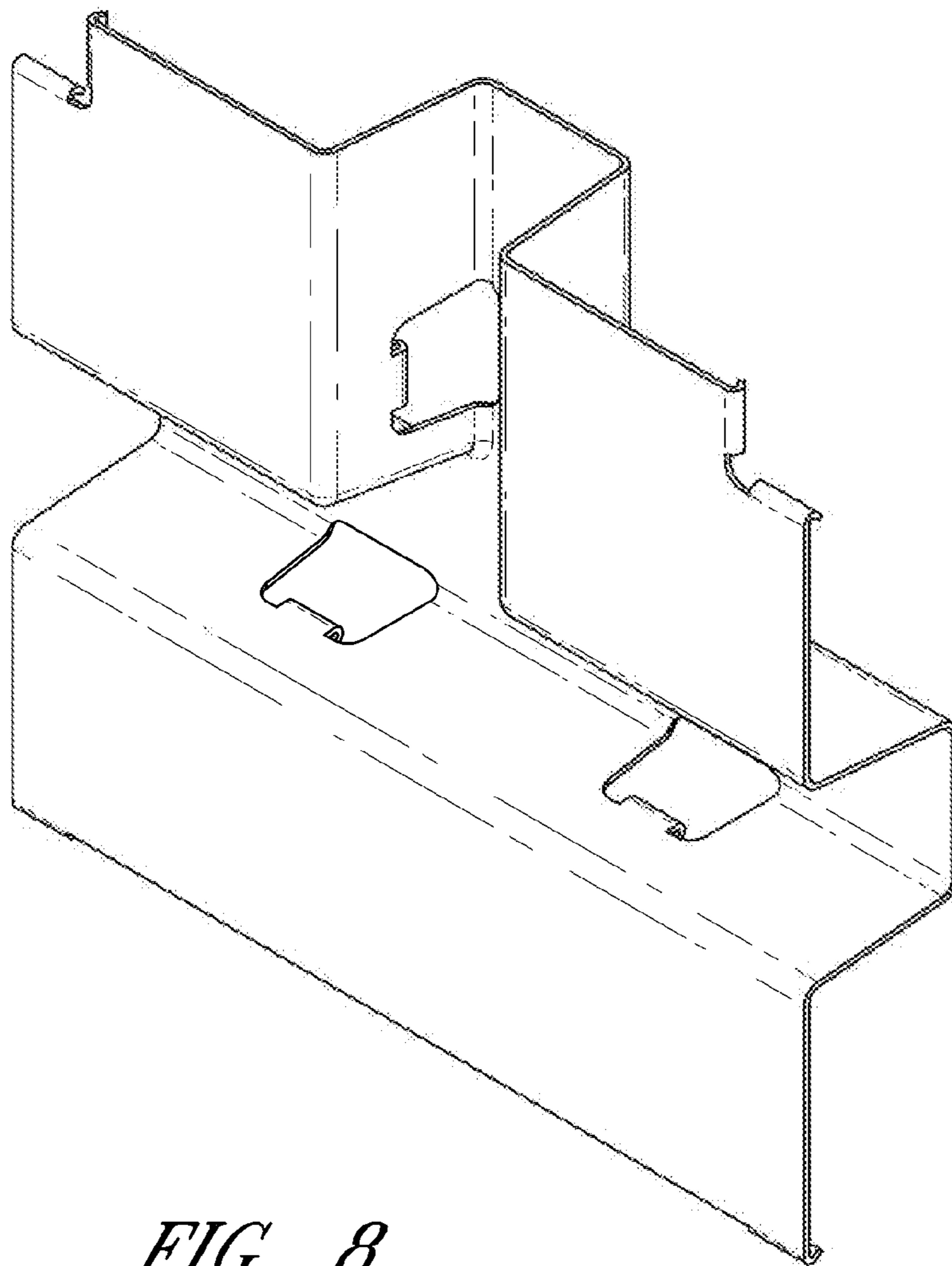


FIG. 8

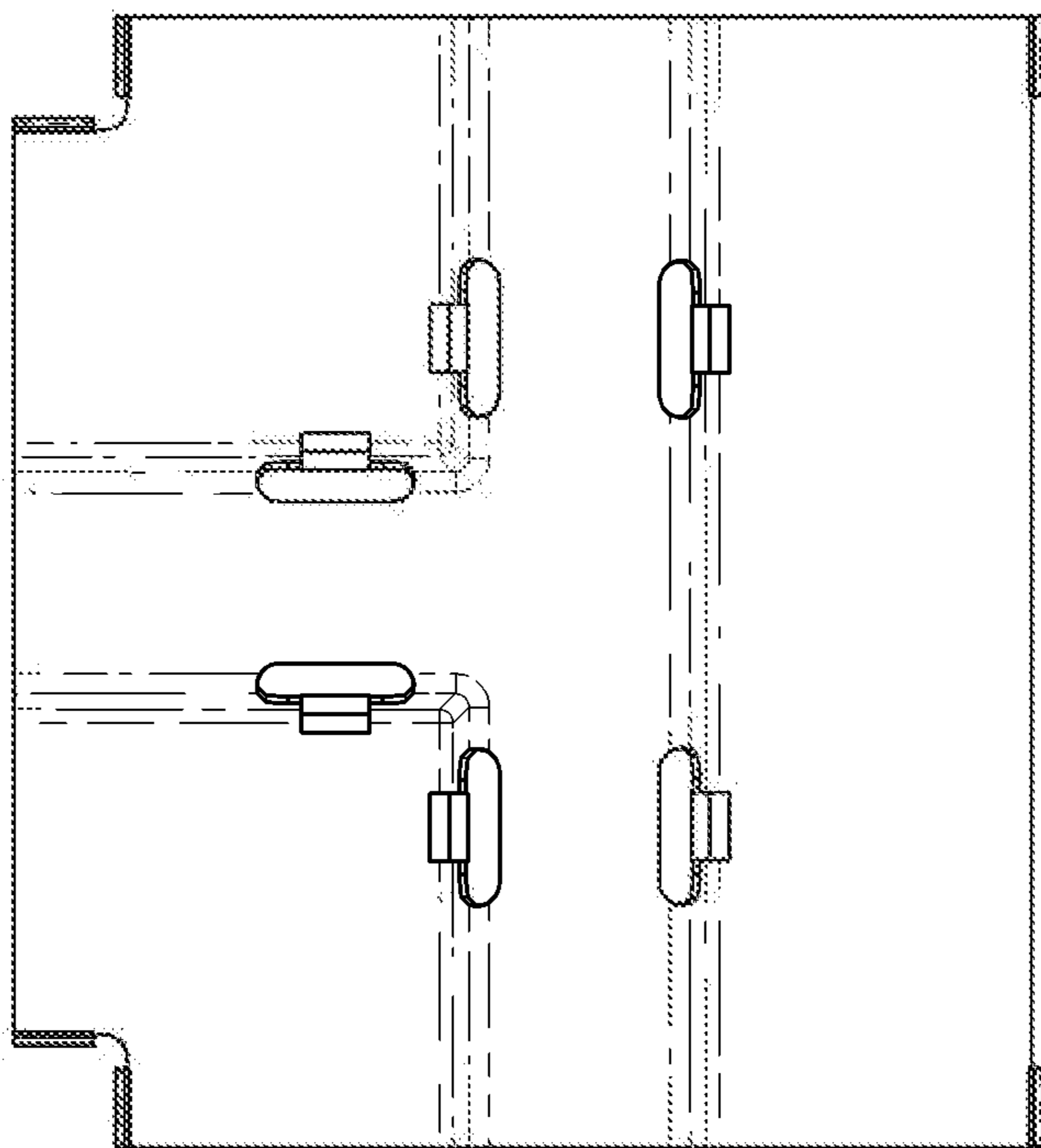


FIG. 9

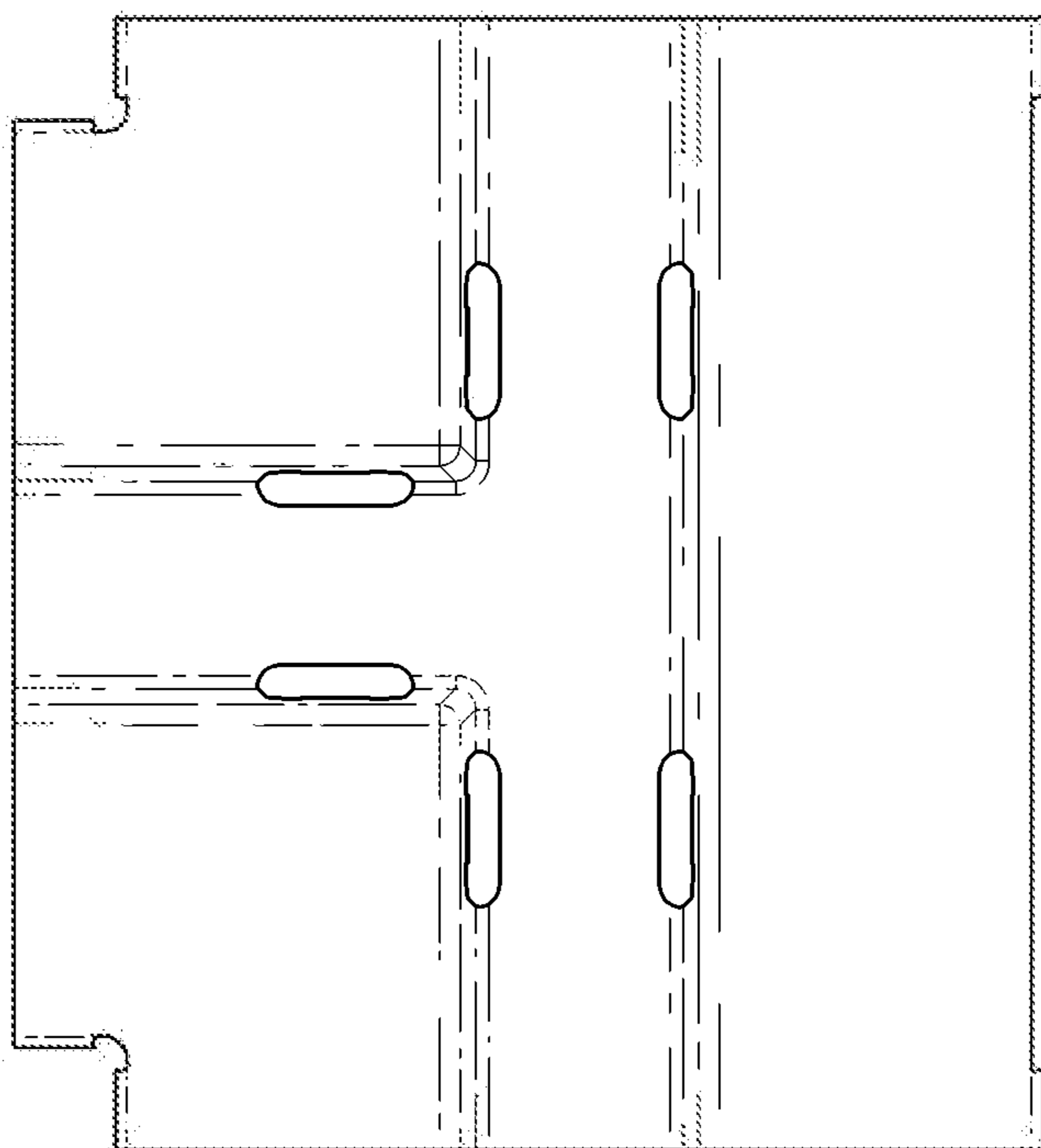


FIG. 10

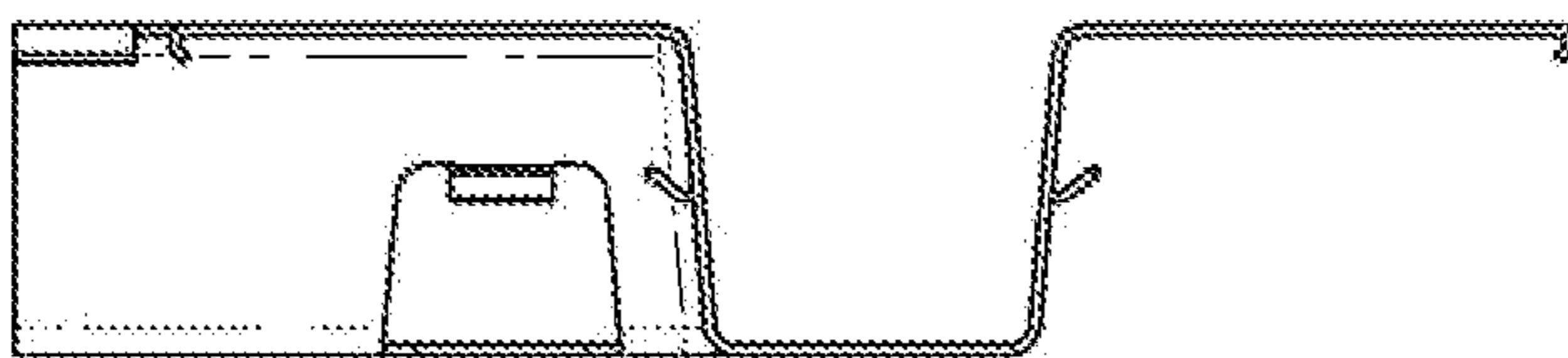


FIG. 11

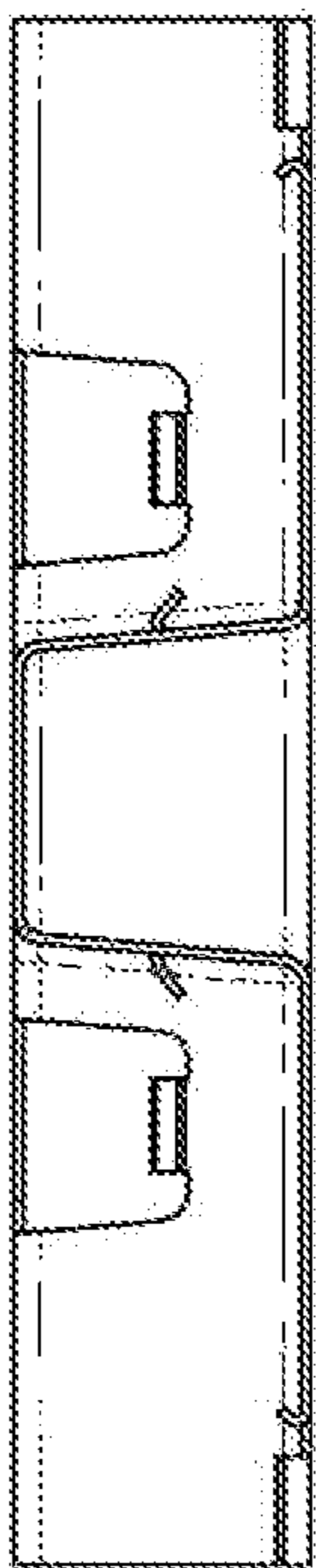


FIG. 12

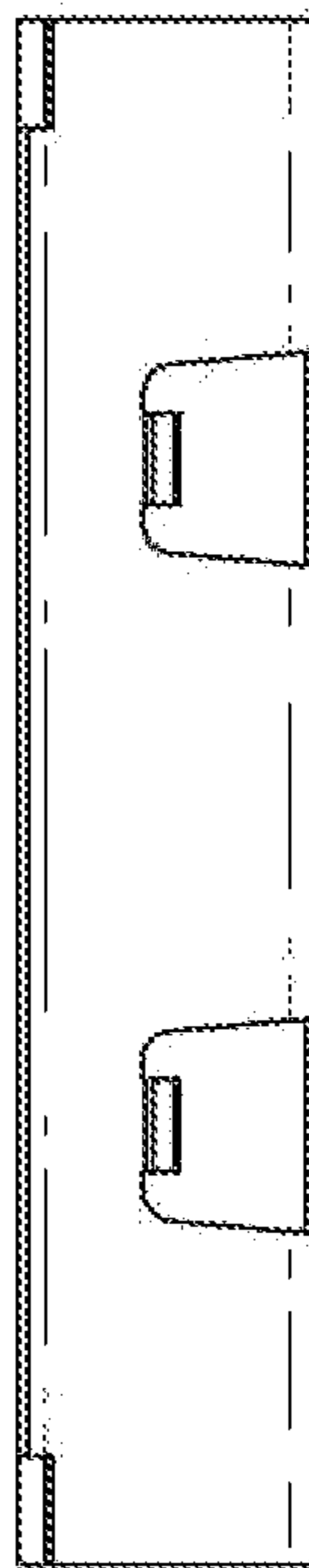


FIG. 13