



US00D700358S

(12) **United States Design Patent**
Myles

(10) **Patent No.:** **US D700,358 S**

(45) **Date of Patent:** **** Feb. 25, 2014**

(54) **FAUX WINDOW ASSEMBLY**

(71) Applicant: **Lacks Enterprises, Inc.**, Grand Rapids, MI (US)

(72) Inventor: **Dennis Myles**, W. Bloomfield, MI (US)

(73) Assignee: **Lacks Enterprises, Inc.**, Grand Rapids, MI (US)

(**) Term: **14 Years**

(21) Appl. No.: **29/432,810**

(22) Filed: **Sep. 20, 2012**

5,251,392 A *	10/1993	McManigal	40/427
5,426,879 A *	6/1995	Hecker	40/427
5,497,588 A	3/1996	Martin et al.	
5,598,667 A	2/1997	Dykes	
6,131,345 A	10/2000	Pelusio	
6,148,896 A	11/2000	Pinto et al.	
6,269,597 B1	8/2001	Haas	
D452,979 S	1/2002	Maher	
6,446,695 B1	9/2002	Forsland	
D465,489 S *	11/2002	Farber	D14/374
6,586,085 B1	7/2003	Jella	
6,647,677 B1	11/2003	Berger, Jr.	
6,763,638 B1	7/2004	Berger, Jr.	
D497,676 S	10/2004	Barnard	
D499,815 S	12/2004	Miller et al.	
6,862,850 B2	3/2005	Berger, Jr.	

(Continued)

Related U.S. Application Data

(62) Division of application No. 29/384,779, filed on Feb. 3, 2011, now Pat. No. Des. 668,784.

(51) **LOC (10) Cl.** **25-02**

(52) **U.S. Cl.**
USPC **D25/48.7**

(58) **Field of Classification Search**
USPC D20/29; D25/48.7; 40/427; 49/125, 49/126; 160/201, 196.1
See application file for complete search history.

(56) **References Cited**

U.S. PATENT DOCUMENTS

2,042,077 A	5/1936	Stoneback	
2,221,005 A	11/1940	Reese	
2,232,372 A *	2/1941	Dierker	49/126
2,266,973 A	12/1941	Horton	
2,572,764 A	10/1951	Rogers et al.	
2,589,744 A *	3/1952	Sterling	362/225
2,654,827 A *	10/1953	Pierce	362/147
2,908,051 A *	10/1959	Sparkes	49/125
2,925,862 A	2/1960	Sundby	
5,123,211 A	6/1992	Schlicht et al.	

Primary Examiner — Doris Clark

(74) *Attorney, Agent, or Firm* — Price Heneveld LLP

(57) **CLAIM**

I claim the ornamental design for a faux window assembly, as shown and described.

DESCRIPTION

FIG. 1 is a perspective view showing a front, top and side of the faux window assembly;

FIG. 2 is a front elevational view of the faux window assembly;

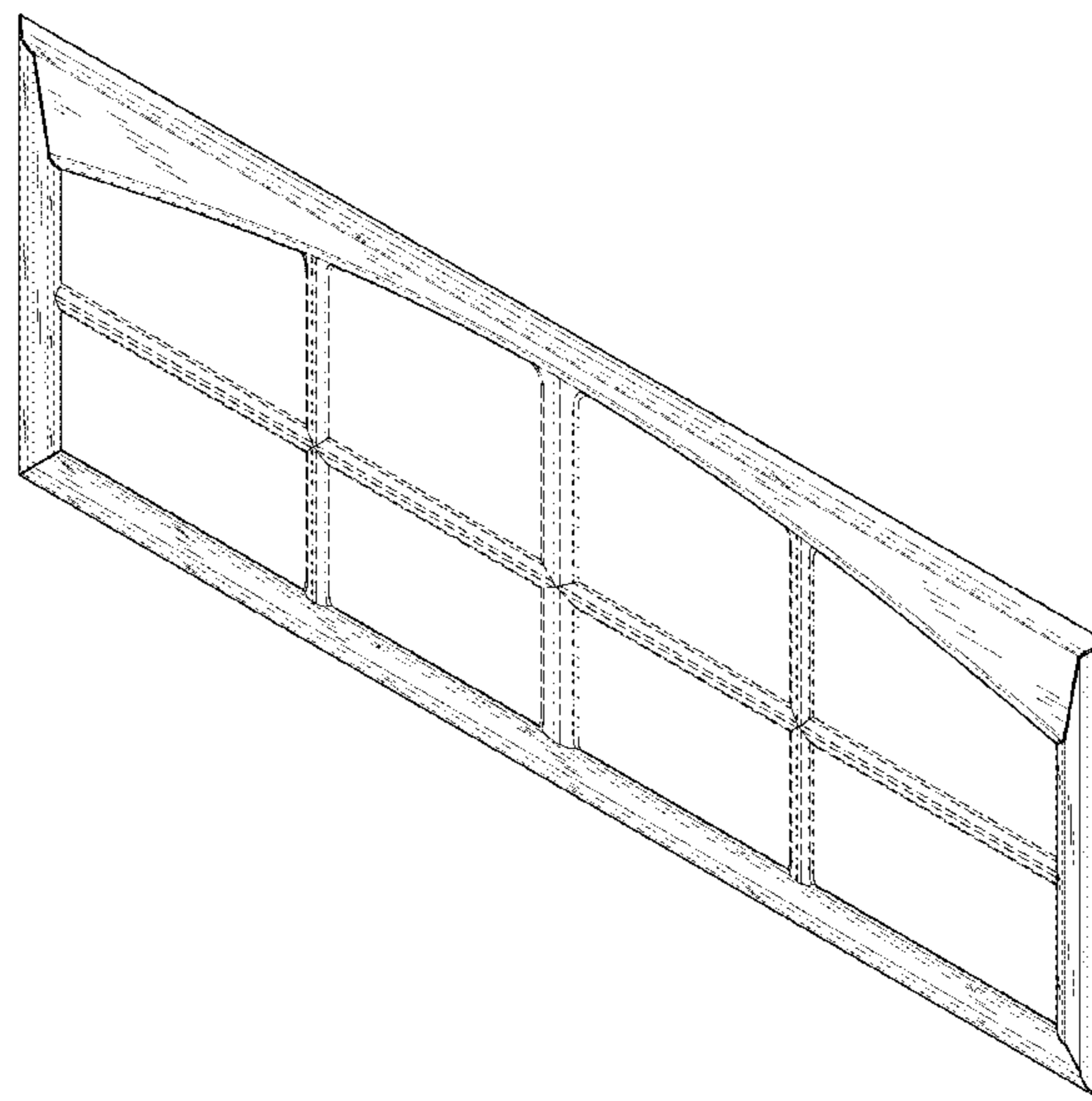
FIG. 3 is a rear elevational view of the faux window assembly;

FIG. 4 is an elevational view of a first side of the faux window assembly;

FIG. 5 is an elevational view of a second side of the faux window assembly;

FIG. 6 is a top plan view of the faux window assembly; and, FIG. 7 is a bottom plan view of the faux window assembly. The dashed lines and broken lines are for purposes of illustrating environmental structure and form no part of the claimed design.

1 Claim, 4 Drawing Sheets



(56)

References Cited

U.S. PATENT DOCUMENTS

6,948,547	B2	9/2005	Maher	2005/0092447	A1	5/2005	Mock
7,107,736	B2	9/2006	Barnard	2005/0194106	A1	9/2005	Scales
7,266,928	B1	9/2007	Stasiak, Jr.	2006/0027342	A1	2/2006	Maher
7,383,872	B1	6/2008	Jella	2007/0022698	A1	2/2007	Forsland et al.
D586,200	S	2/2009	Dewitt	2007/0175602	A1	8/2007	Ni et al.
7,784,204	B2 *	8/2010	Staats et al.	2008/0066399	A1	3/2008	Akdag et al.
2003/0110718	A1	6/2003	Boisvert	2009/0025334	A1	1/2009	Aquilina et al.
2005/0050824	A1	3/2005	Warner, III	2009/0107054	A1	4/2009	Waller
2005/0055921	A1	3/2005	Vella	2009/0241422	A1	10/2009	Mock et al.
			40/546	2009/0277109	A1	11/2009	Taylor et al.
				2010/0269414	A1	10/2010	Horton

* cited by examiner

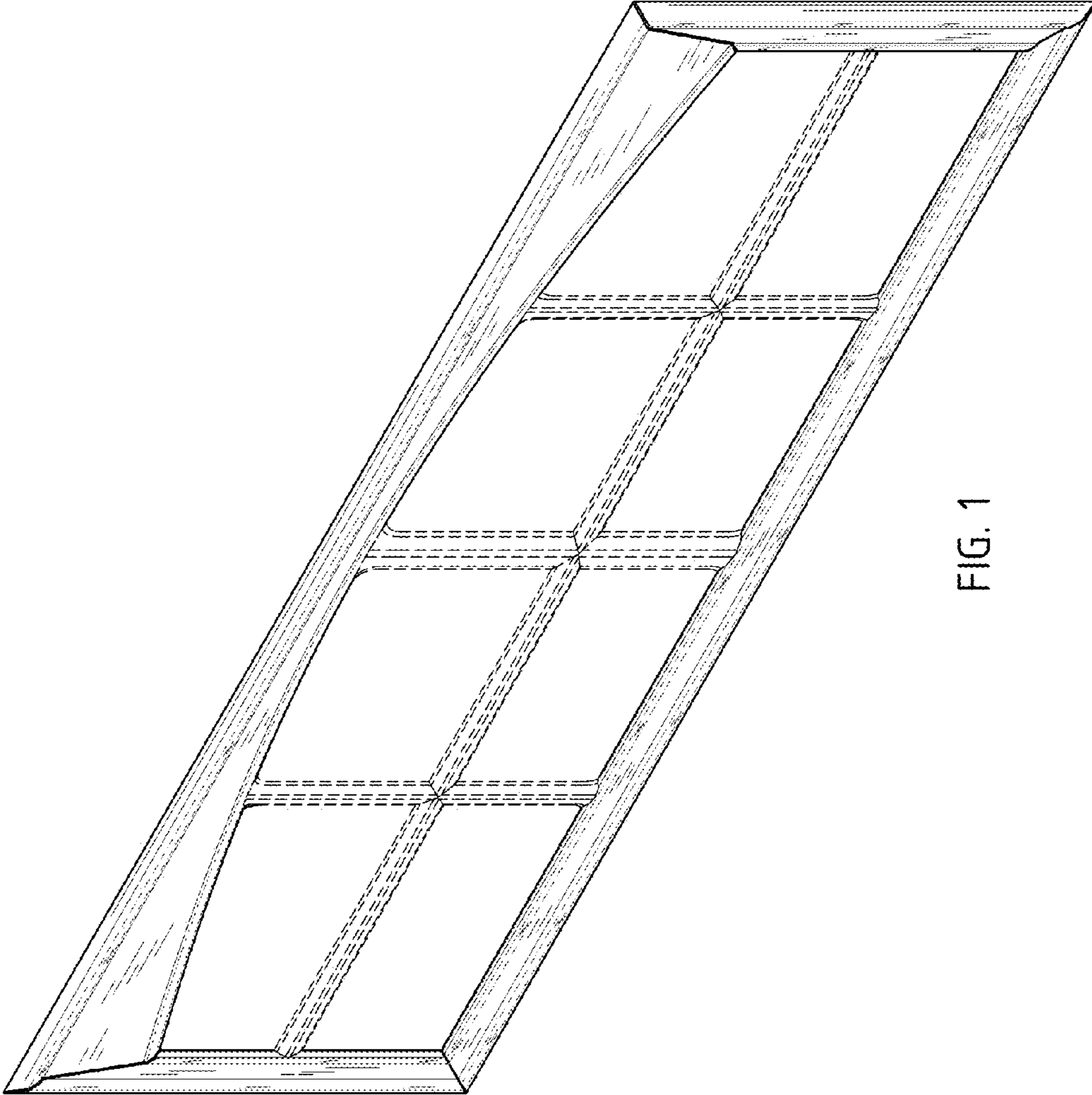


FIG. 1

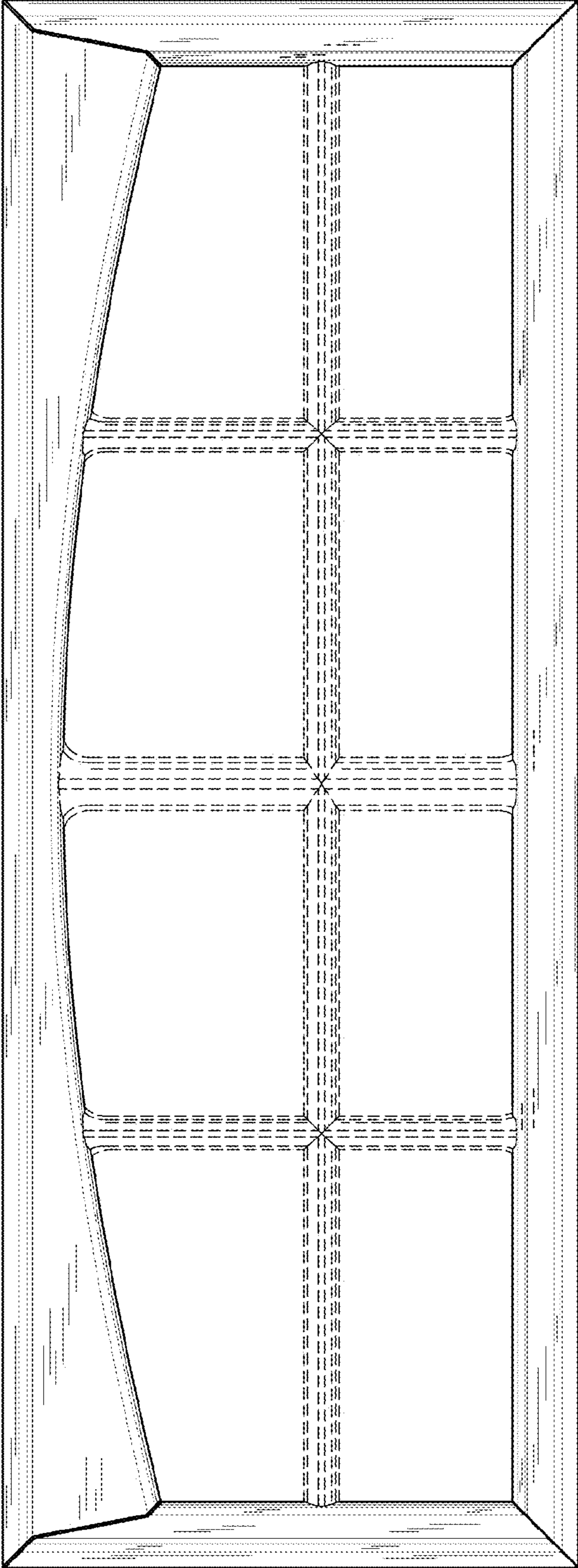


FIG. 2

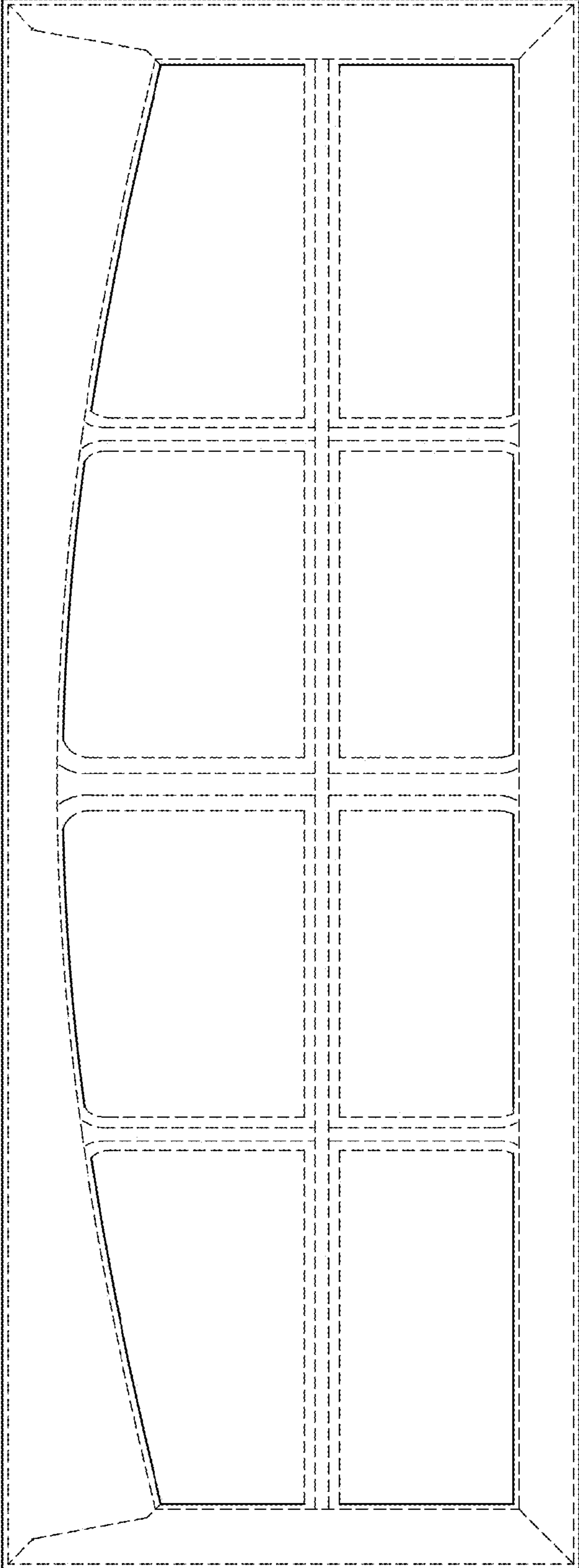


FIG. 3

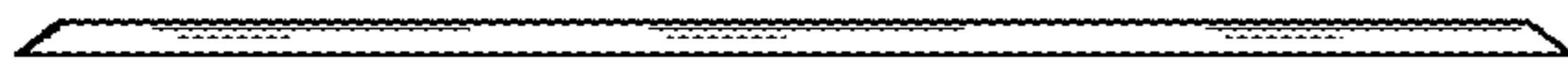


FIG. 4

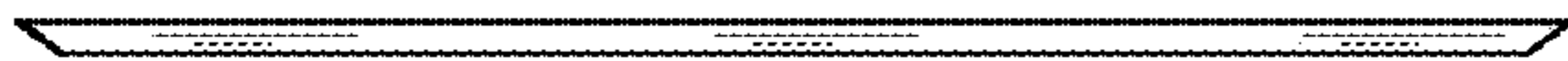


FIG. 5



FIG. 6



FIG. 7