



US00D700355S

(12) **United States Design Patent**
Davis et al.

(10) **Patent No.:** **US D700,355 S**

(45) **Date of Patent:** **** *Feb. 25, 2014**

(54) **SAMPLE CASSETTE FOR A DIAGNOSTIC INSTRUMENT**

(75) Inventors: **Charles Quentin Davis**, Frederick, MD (US); **Michael D. Nelson**, Seattle, WA (US); **Joseph N. K. Ullman**, Seattle, WA (US); **Nadine Wohlstadter**, Madison, VA (US); **Richard Cook**, Derwood, MD (US)

(73) Assignee: **Wellstat Diagnostics, LLC**, Gaithersburg, MD (US)

(*) Notice: This patent is subject to a terminal disclaimer.

(**) Term: **14 Years**

(21) Appl. No.: **29/420,967**

(22) Filed: **May 15, 2012**

(51) **LOC (10) Cl.** **24-01**

(52) **U.S. Cl.**
USPC **D24/225**

(58) **Field of Classification Search**
USPC D24/216, 223, 224, 225, 226, 227, 231, D24/232, 233, 107, 169, 186; D10/81; 422/62-65, 67, 500, 547, 551, 552, 422/554; 436/43, 45, 47; 435/287.1, 287.3, 435/288.2, 288.4, 288.5, 305.1, 305.2; 73/64.56, 864.91, 865.9

See application file for complete search history.

(56) **References Cited**

U.S. PATENT DOCUMENTS

D269,548	S	*	6/1983	Sarrine et al.	D24/232
D292,433	S	*	10/1987	Griffin	D24/224
4,929,426	A	*	5/1990	Bodai et al.	422/63
5,470,758	A	*	11/1995	Hayes	436/45
D395,708	S	*	6/1998	Shartle et al.	D24/224
D438,633	S	*	3/2001	Miller	D24/224
7,771,889	B2	*	8/2010	Cho et al.	429/513
7,815,863	B2	*	10/2010	Kagan et al.	422/568
2008/0153096	A1	*	6/2008	Witty et al.	435/288.7
2010/0120083	A1	*	5/2010	Ritzen et al.	435/30
2011/0312535	A1	*	12/2011	Gohring et al.	506/12

* cited by examiner

Primary Examiner — Anhdao Doan
(74) *Attorney, Agent, or Firm* — Finnegan, Henderson, Farabow, Garrett & Dunner, LLP

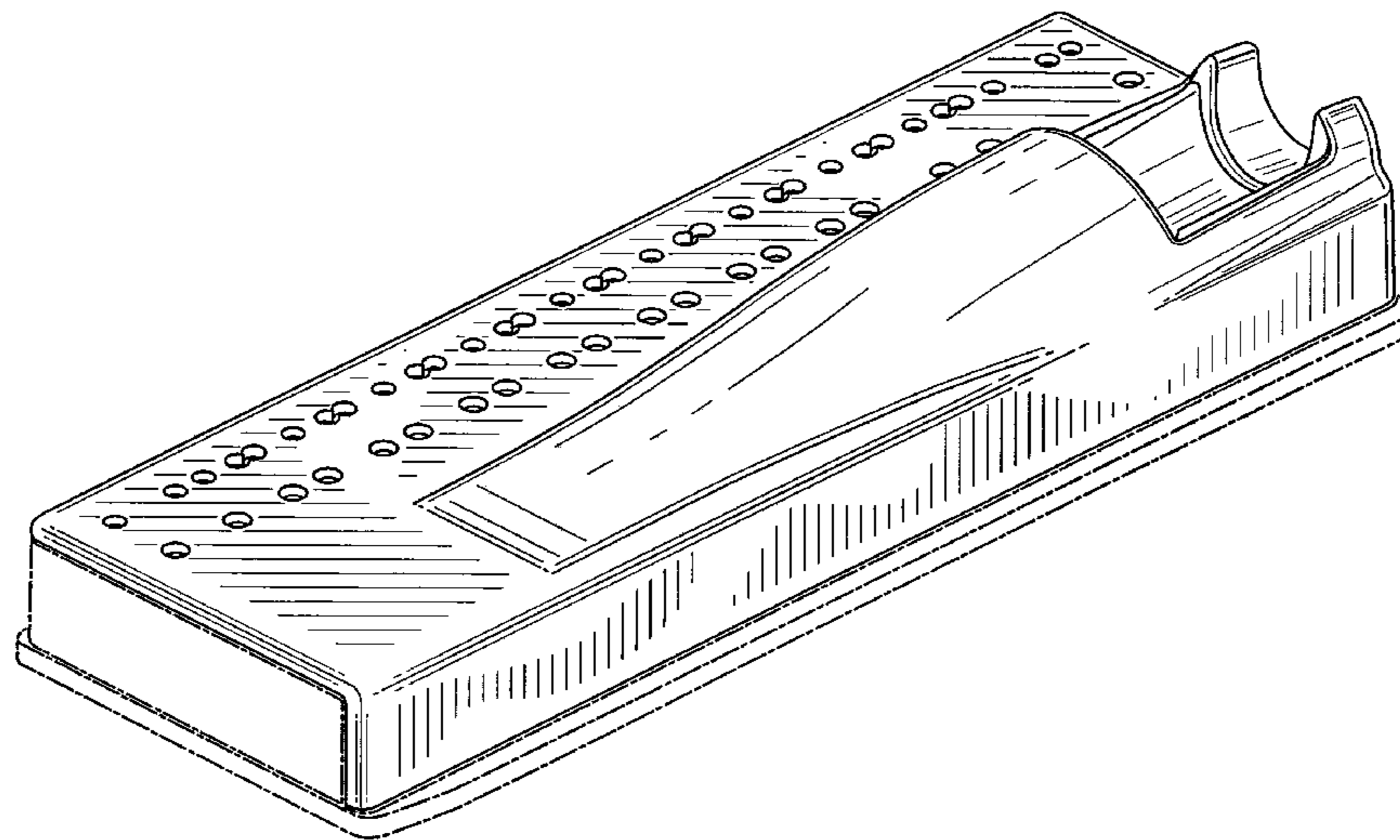
(57) **CLAIM**

The ornamental design for a sample cassette for a diagnostic instrument, as shown and described.

DESCRIPTION

FIG. 1 is a left rear perspective view of a sample cassette for a diagnostic instrument showing our new design; FIG. 2 is a front left perspective view thereof; FIG. 3 is a top plan view thereof; FIG. 4 is a right side view thereof; FIG. 5 is a left side view thereof; FIG. 6 is a rear view thereof; FIG. 7 is a front view thereof; FIG. 8 is a right rear perspective view thereof; and, FIG. 9 is a right front perspective view thereof. The portions depicted in broken lines are environment and the elements depicted in broken lines form no part of the claimed design.

1 Claim, 7 Drawing Sheets



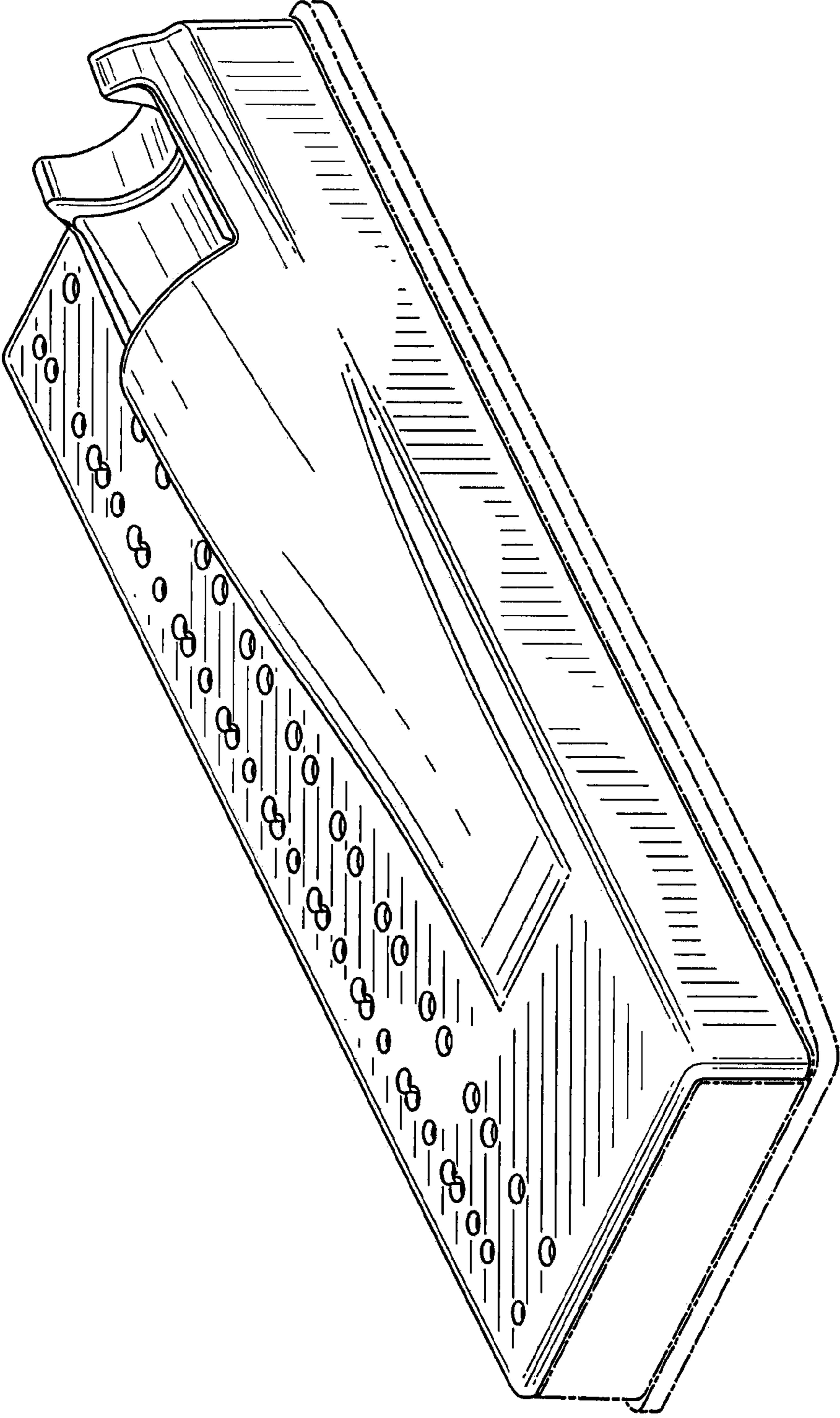


FIG. 1

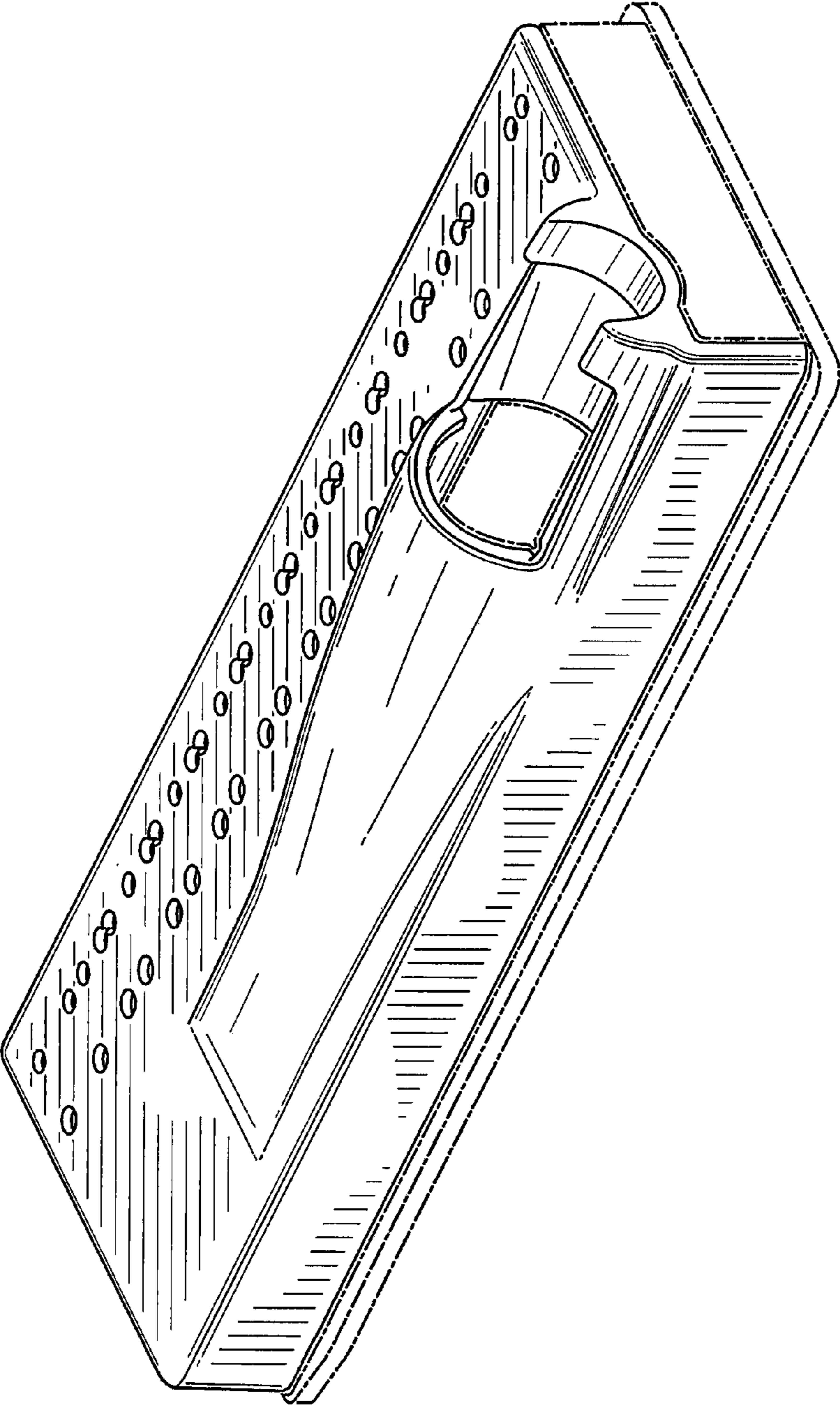


FIG. 2

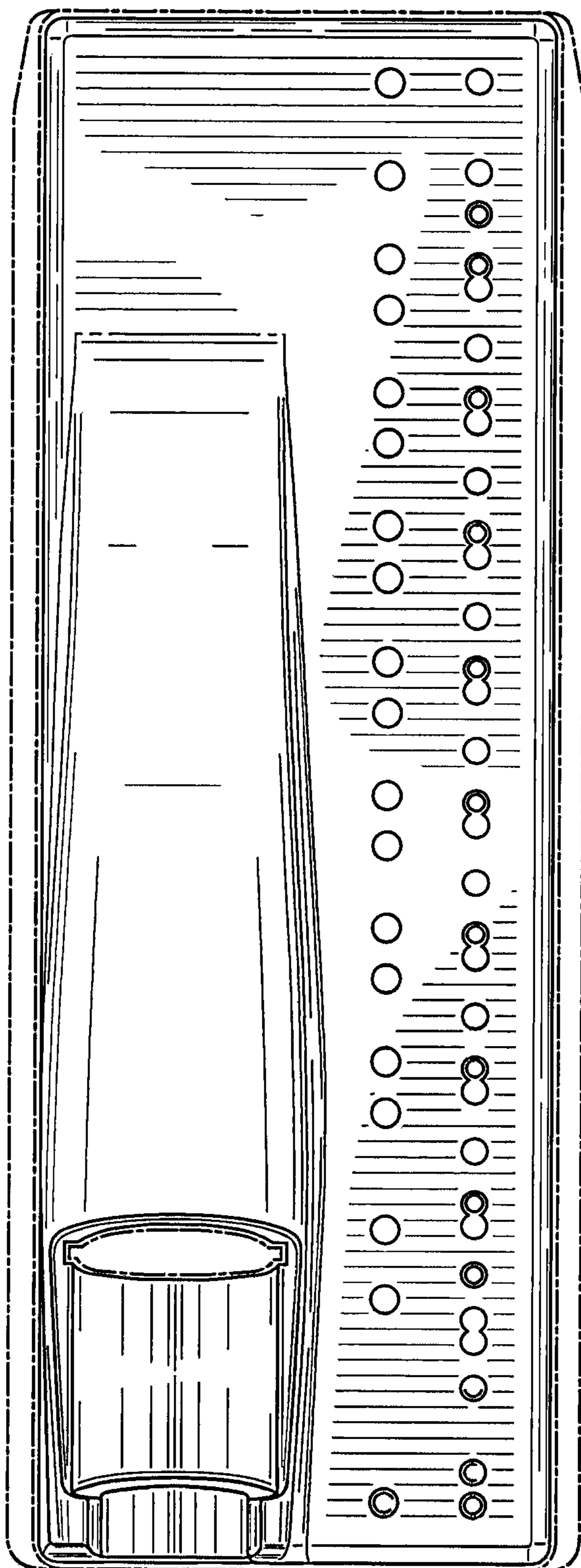


FIG. 3

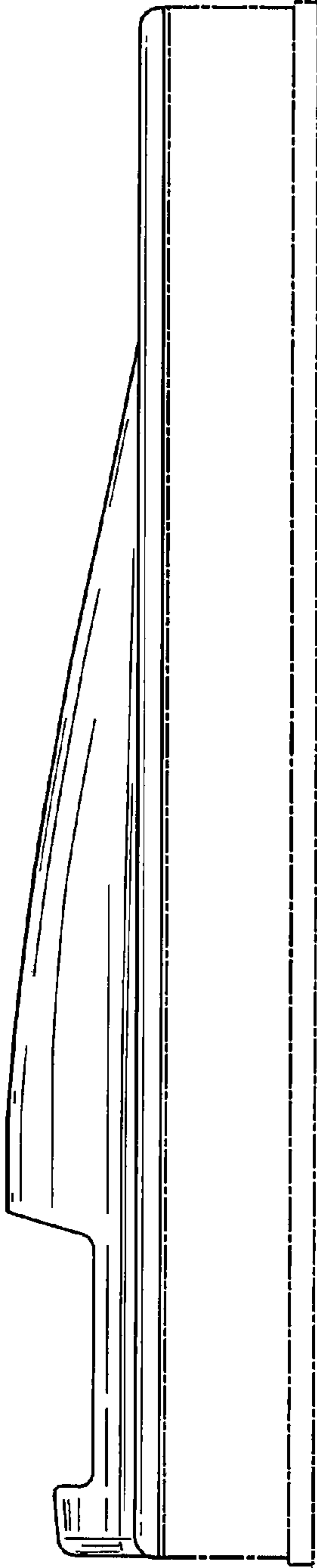


FIG. 4

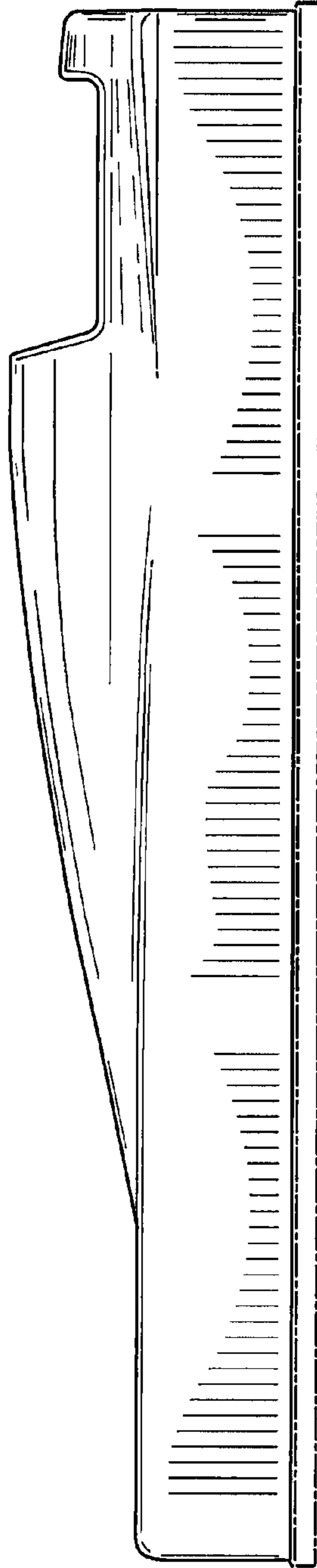


FIG. 5

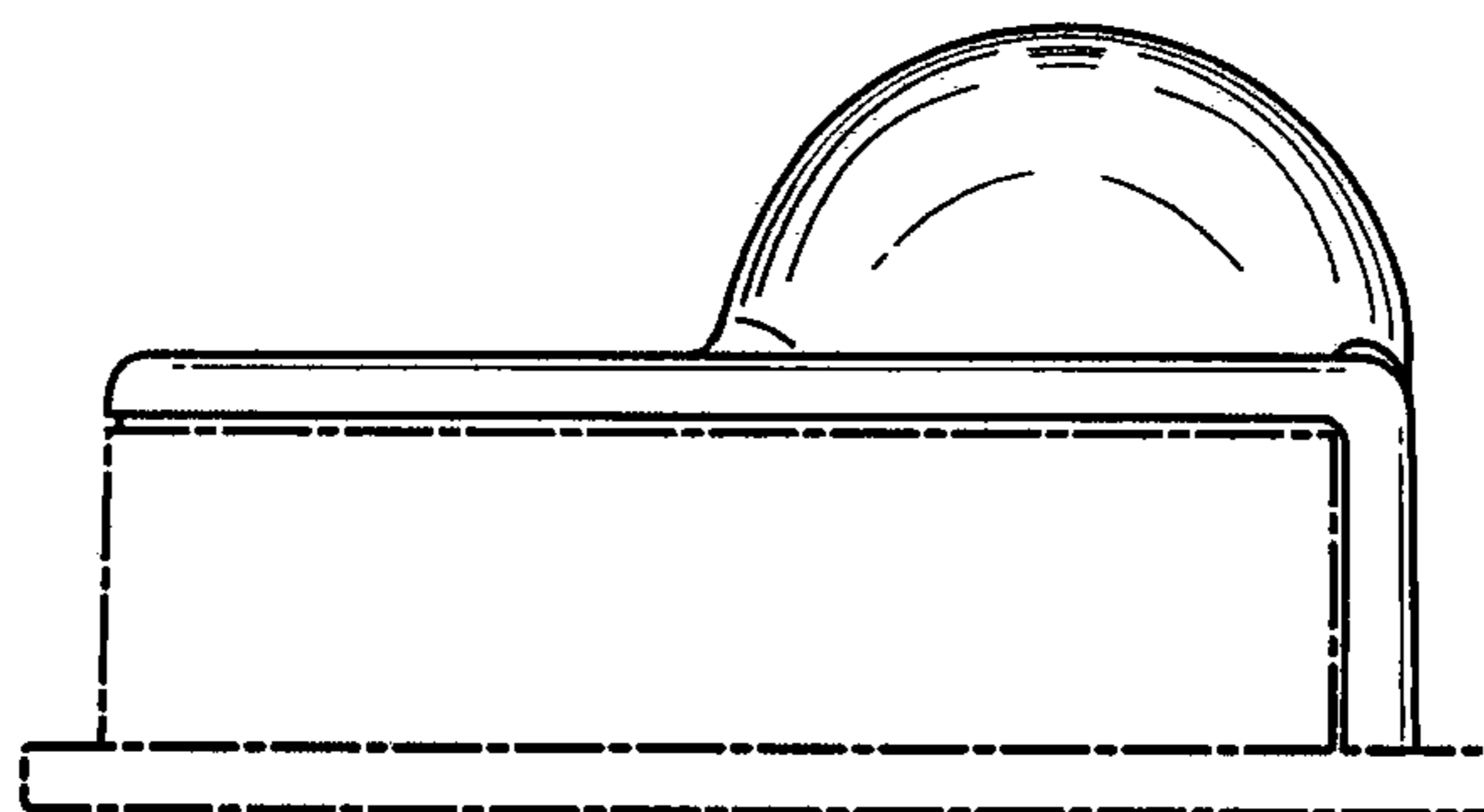


FIG. 6

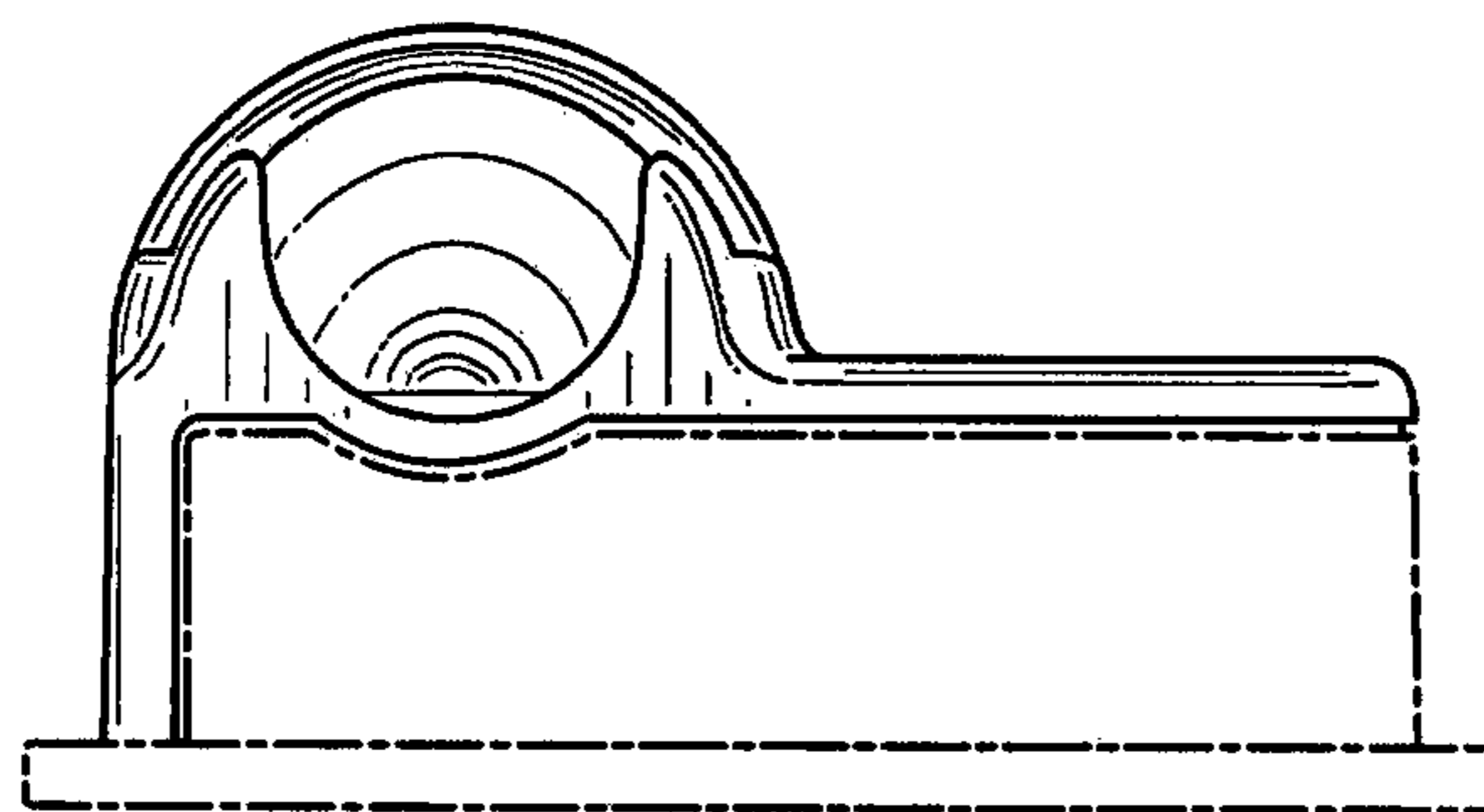


FIG. 7

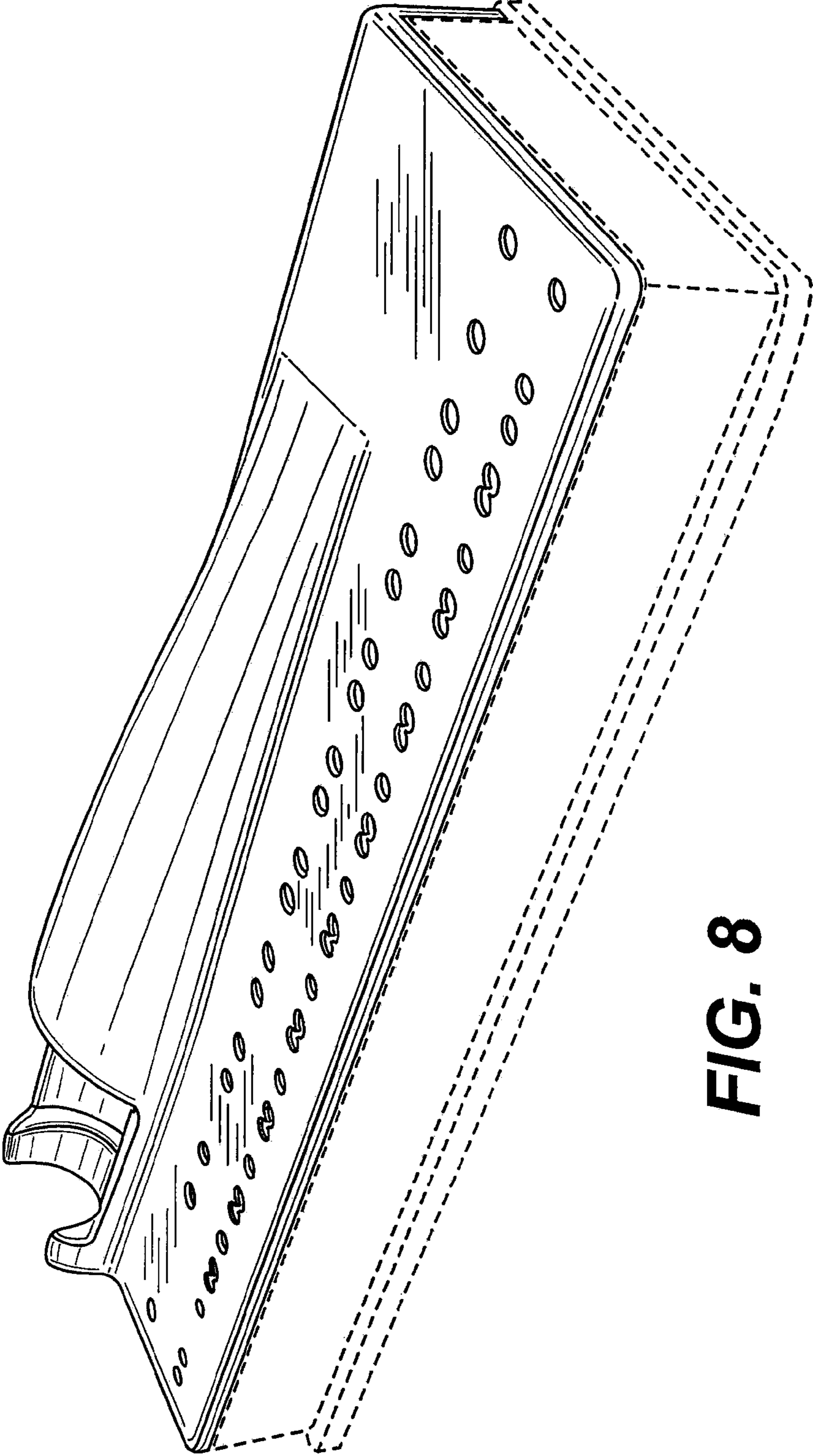


FIG. 8

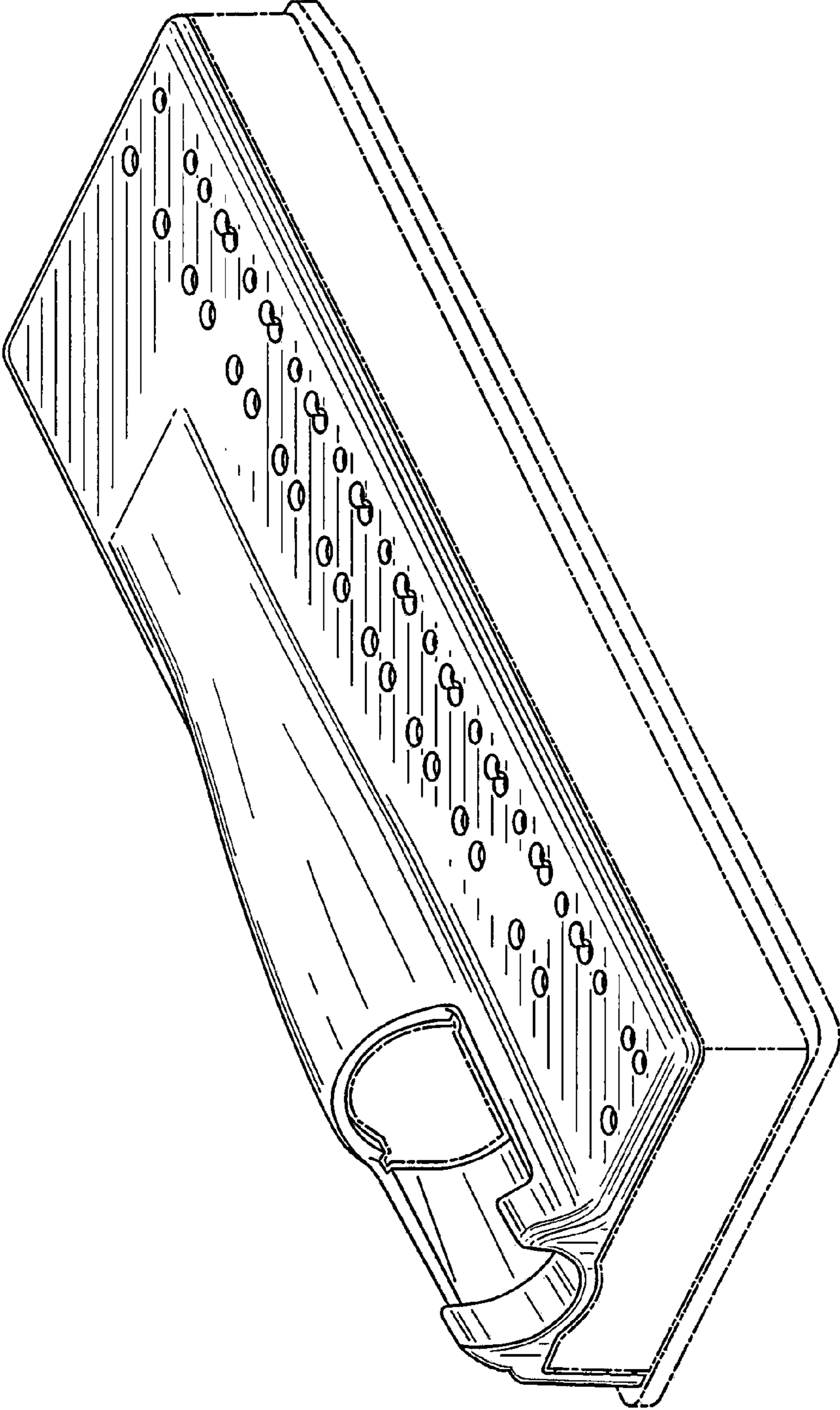


FIG. 9