



US00D700354S

(12) **United States Design Patent**
Plougsgaard et al.

(10) **Patent No.:** **US D700,354 S**

(45) **Date of Patent:** **** Feb. 25, 2014**

(54) **EMBRYO SLIDE CULTURE DISH**

(71) Applicant: **Unisense FertiliTech A/S**, Aarhus N (DK)

(72) Inventors: **Holger Soe Plougsgaard**, Ega (DK); **Inge Errebo Agerholm**, Braedstrup (DK); **Kamilla Sofie Pedersen**, Sabro (DK); **Mette Nielsen**, Hvidovre (DK); **Reidun Berghold Kuhlmann**, Knebel (DK); **Lisbeth Kongsbak Lyngberg**, Abyhoj (DK); **Karin Tubbert Clausen**, Aarhus C (DK); **Jens K. Gundersen**, Viby J. (DK); **Niels B. Ramsing**, Risskov (DK)

(73) Assignee: **Unisense FertiliTech A/S**, Aarhus N (DK)

(**) Term: **14 Years**

(21) Appl. No.: **29/438,829**

(22) Filed: **Dec. 4, 2012**

(30) **Foreign Application Priority Data**

Jun. 4, 2012 (EM) 002051813

(51) **LOC (10) Cl.** **24-01**

(52) **U.S. Cl.**
USPC **D24/224**

(58) **Field of Classification Search**
USPC D24/216–217, 219, 223–226, 227,
D24/229–231, 232, 107, 121–123; D10/81;
422/500, 547, 551–554, 550, 568, 569;
435/305.1–305.4

See application file for complete search history.

(56) **References Cited**

U.S. PATENT DOCUMENTS

3,968,010 A * 7/1976 Young 435/34
D290,042 S * 5/1987 Ford D24/225

(Continued)

Primary Examiner — Anhdao Doan

(74) *Attorney, Agent, or Firm* — Gifford, Krass, Sprinkle, Anderson & Citkowski, P.C.

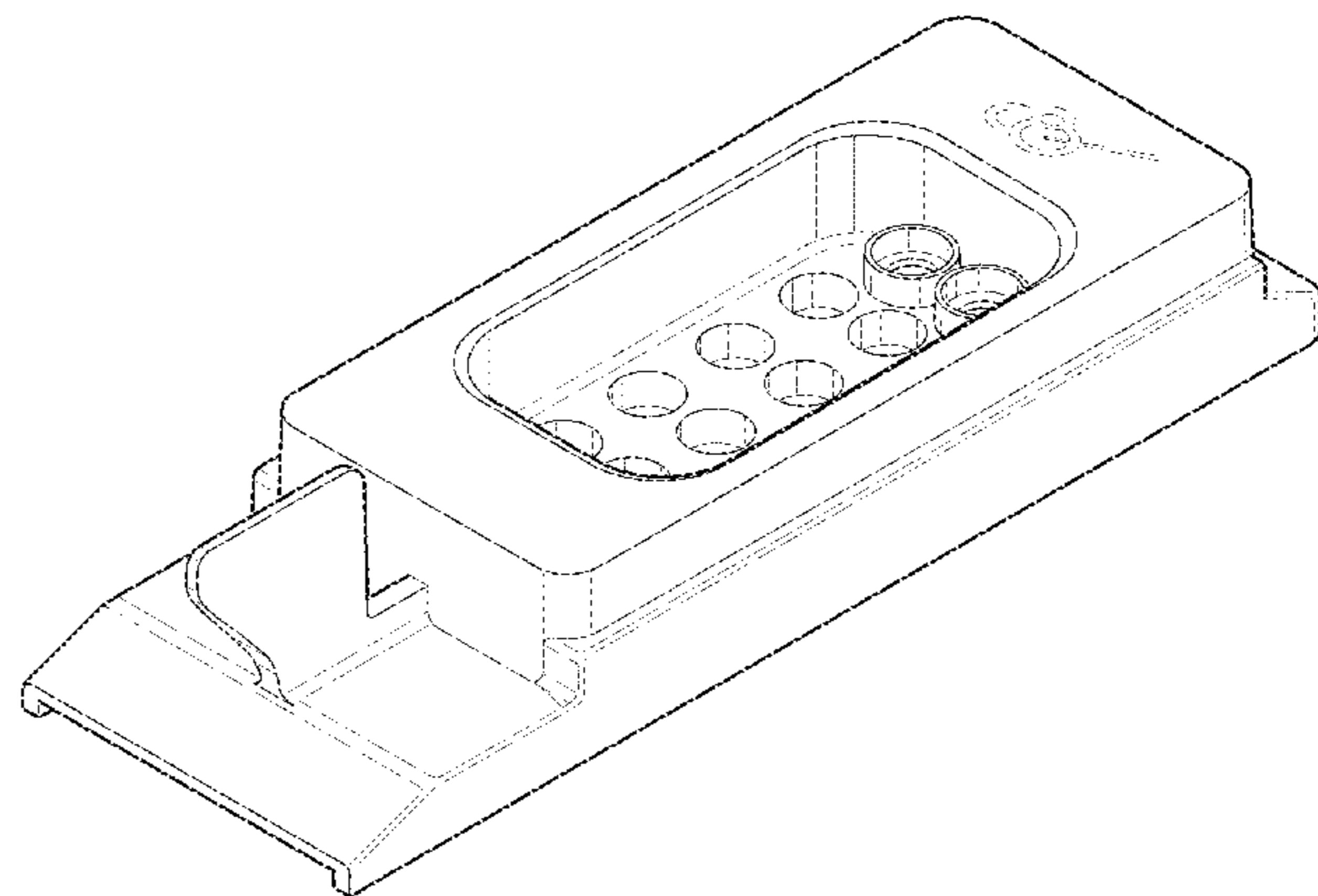
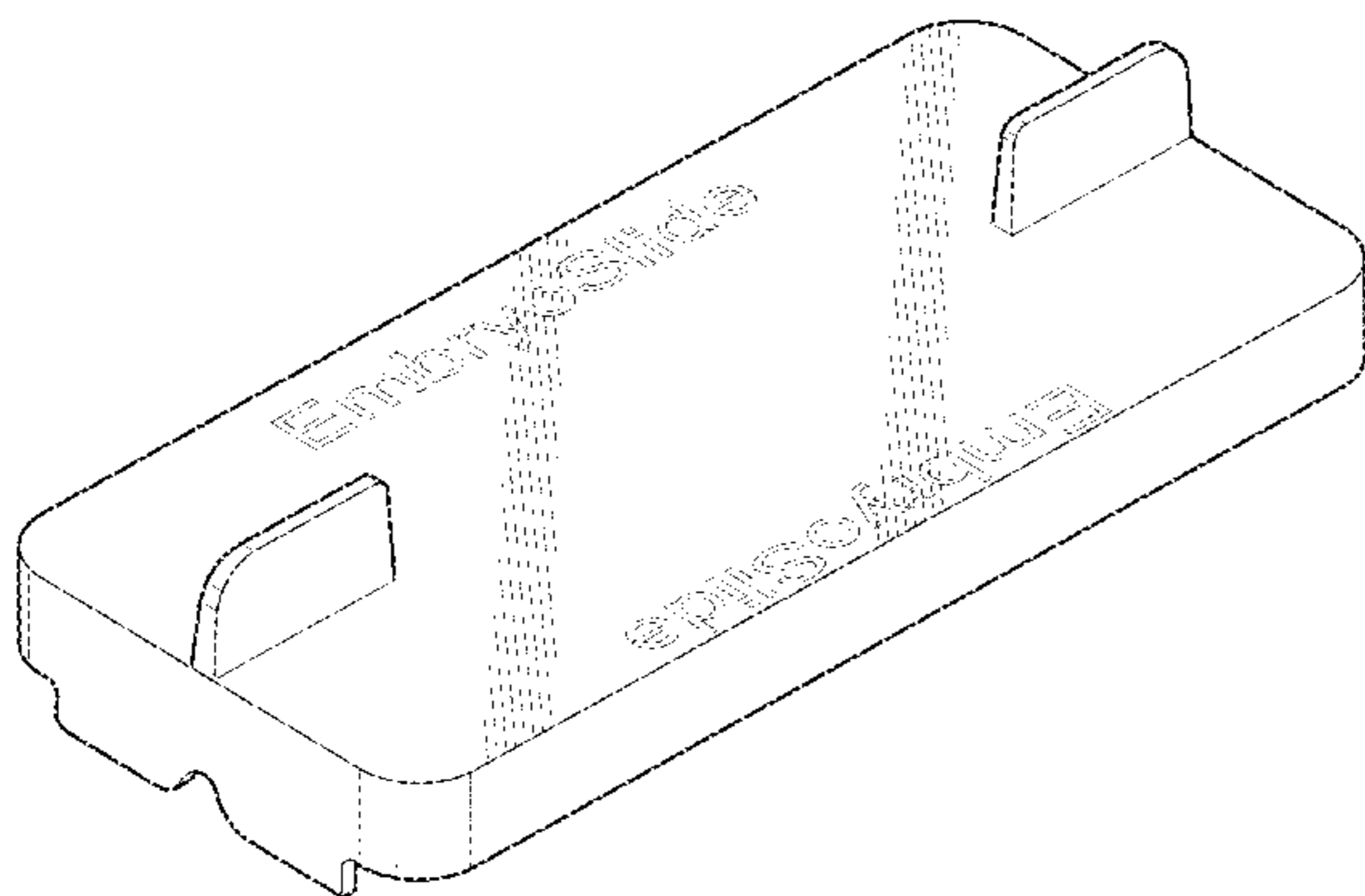
(57) **CLAIM**

The ornamental design for an embryo slide culture dish, as shown and described.

DESCRIPTION

FIG. 1 is a perspective view showing the design of a cover portion of an embryo culture dish, which dish is comprised of a cover portion and a base portion;
FIG. 2 is a right side view of the cover of FIG. 1, it being understood that the left side view thereof is identical;
FIG. 3 is a front end view of the cover of FIG. 1, it being understood that the back end view thereof is identical;
FIG. 4 is a bottom view of the cover of FIG. 1; the broken lines in FIG. 4 represent environmental subject matter and form no part of the claimed design;
FIG. 5 is a top view of the cover of FIG. 1;
FIG. 6 is a perspective view showing the design of a base portion of an embryo culture dish; the broken lines in FIG. 6 represent environmental subject matter and form no part of the claimed design;
FIG. 7 is a bottom view of the base portion of the embryo culture dish of FIG. 6;
FIG. 8 is a right side view of the base portion of the embryo culture dish of FIG. 6, it being understood that the left side view thereof is a mirror image of the right side view;
FIG. 9 is a front end view of the base portion of the embryo culture dish of FIG. 6;
FIG. 10 is a back end view of the base portion of the embryo culture dish of FIG. 6; and,
FIG. 11 is a top view of the base portion of the embryo culture dish of FIG. 6; the broken lines in FIG. 11 represent environmental subject matter and form no part of the claimed design.

1 Claim, 7 Drawing Sheets



(56)

References Cited

U.S. PATENT DOCUMENTS

4,668,633 A * 5/1987 Walton 435/305.2
D303,149 S * 8/1989 Andersen D24/226
D378,941 S * 4/1997 Lahm et al. D24/224
D382,062 S * 8/1997 Stevens et al. D24/225
D404,497 S * 1/1999 Lahm et al. D24/224

D411,308 S * 6/1999 Pandey et al. D24/230
D473,318 S * 4/2003 Barbera-Guillem D24/225
D495,425 S * 8/2004 Goris et al. D24/225
7,067,086 B2 * 6/2006 Huhn et al. 422/506
D547,879 S * 7/2007 Lee D24/223
D637,733 S * 5/2011 Wei D24/226
D638,136 S * 5/2011 Parunak et al. D24/224
2008/0064090 A1 * 3/2008 Whittlinger 435/305.3

* cited by examiner

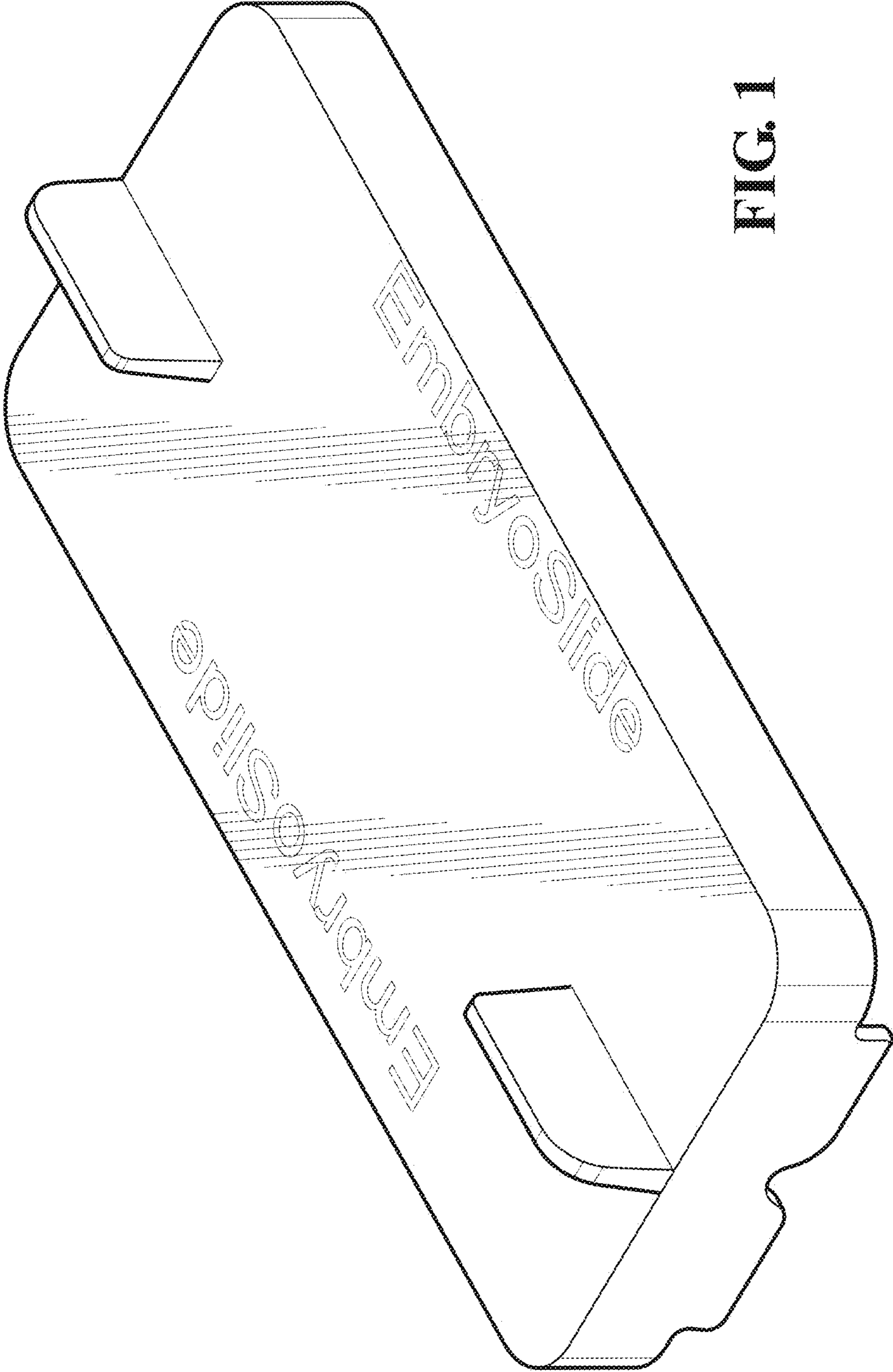


FIG. 1

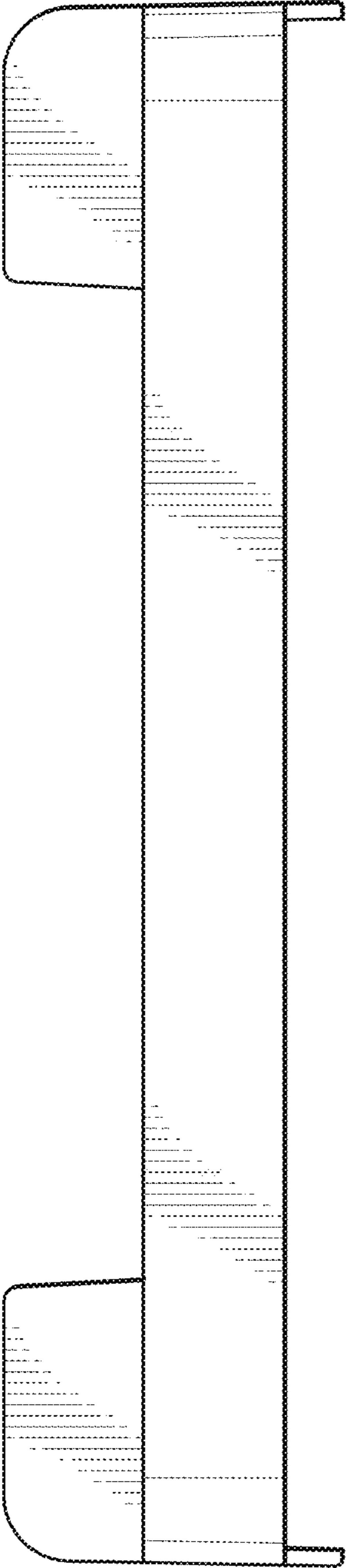


FIG. 2

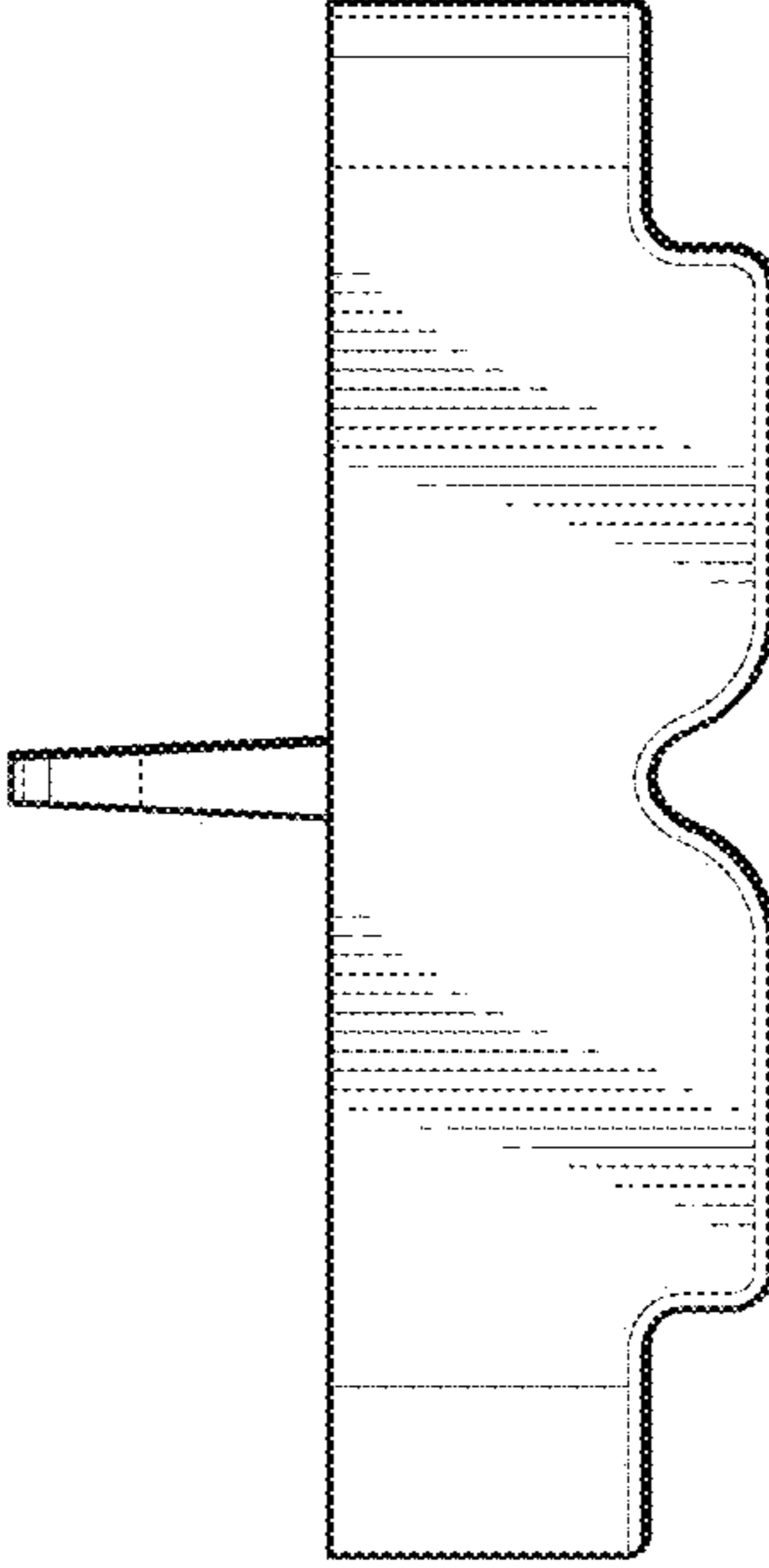


FIG. 3

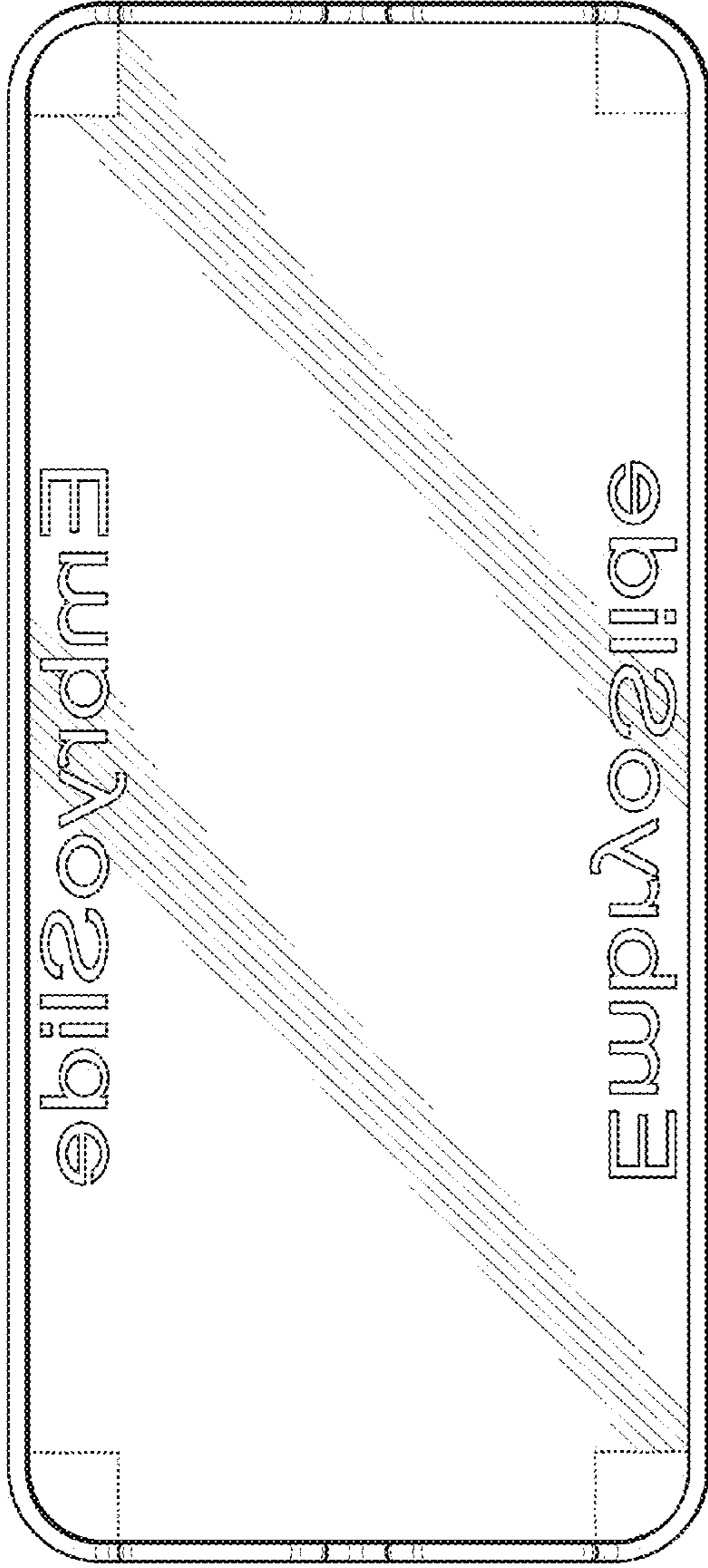


FIG. 4

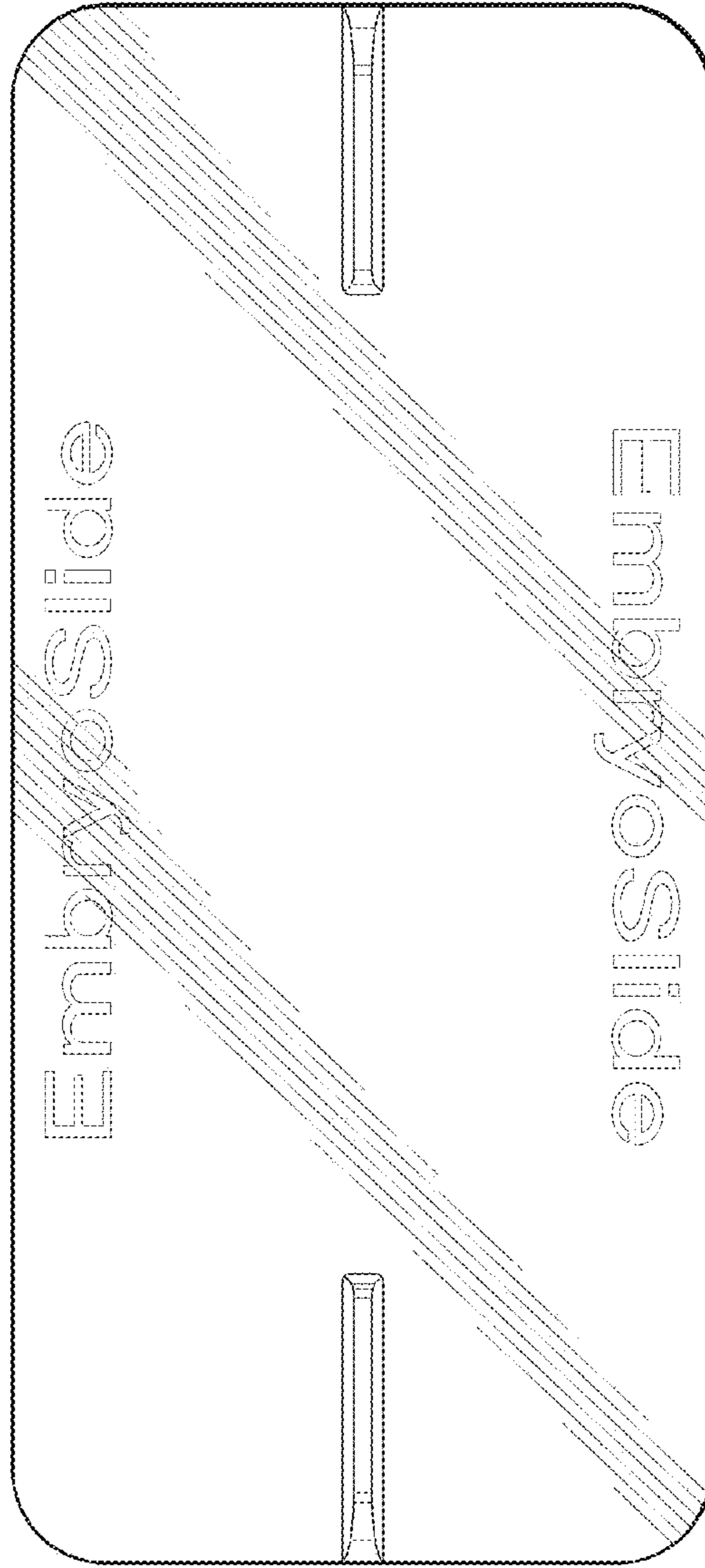


FIG. 5

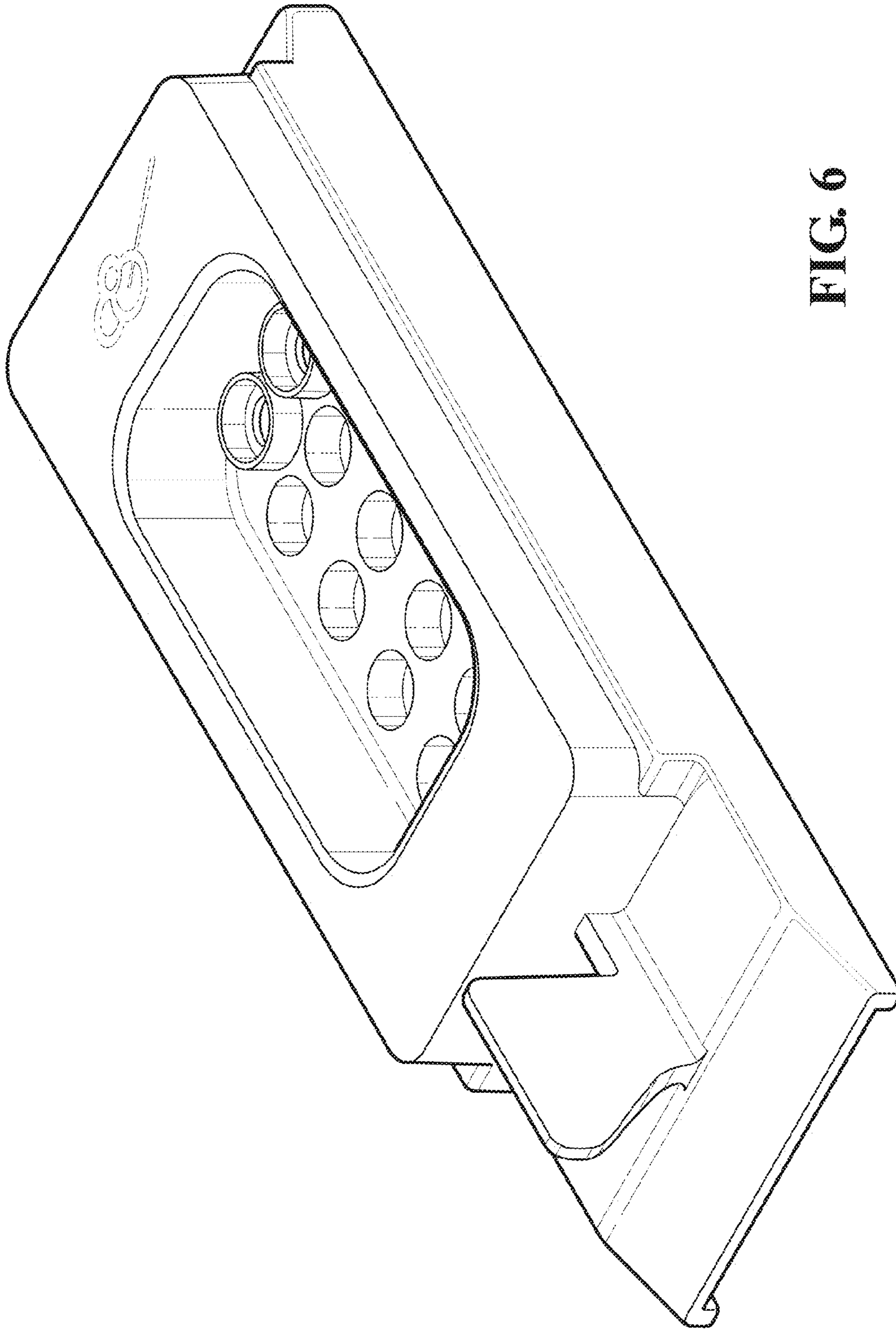


FIG. 6

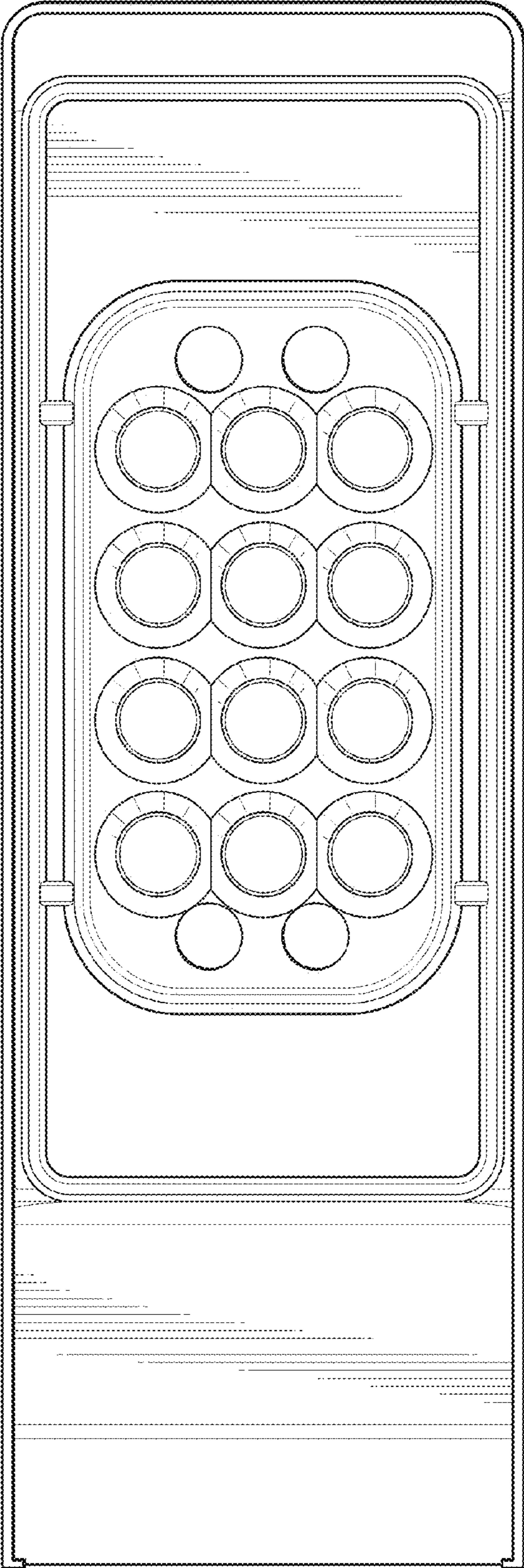


FIG. 7

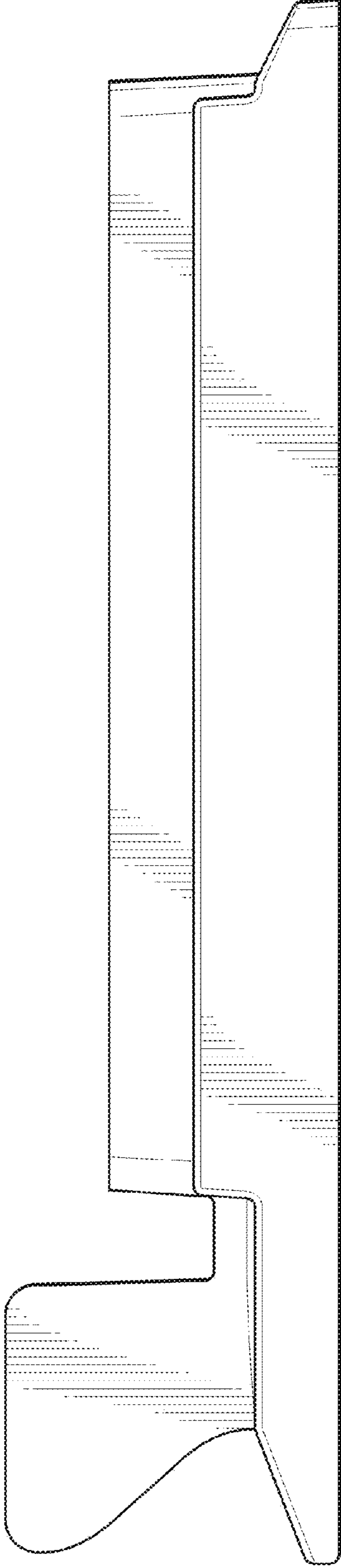


FIG. 8

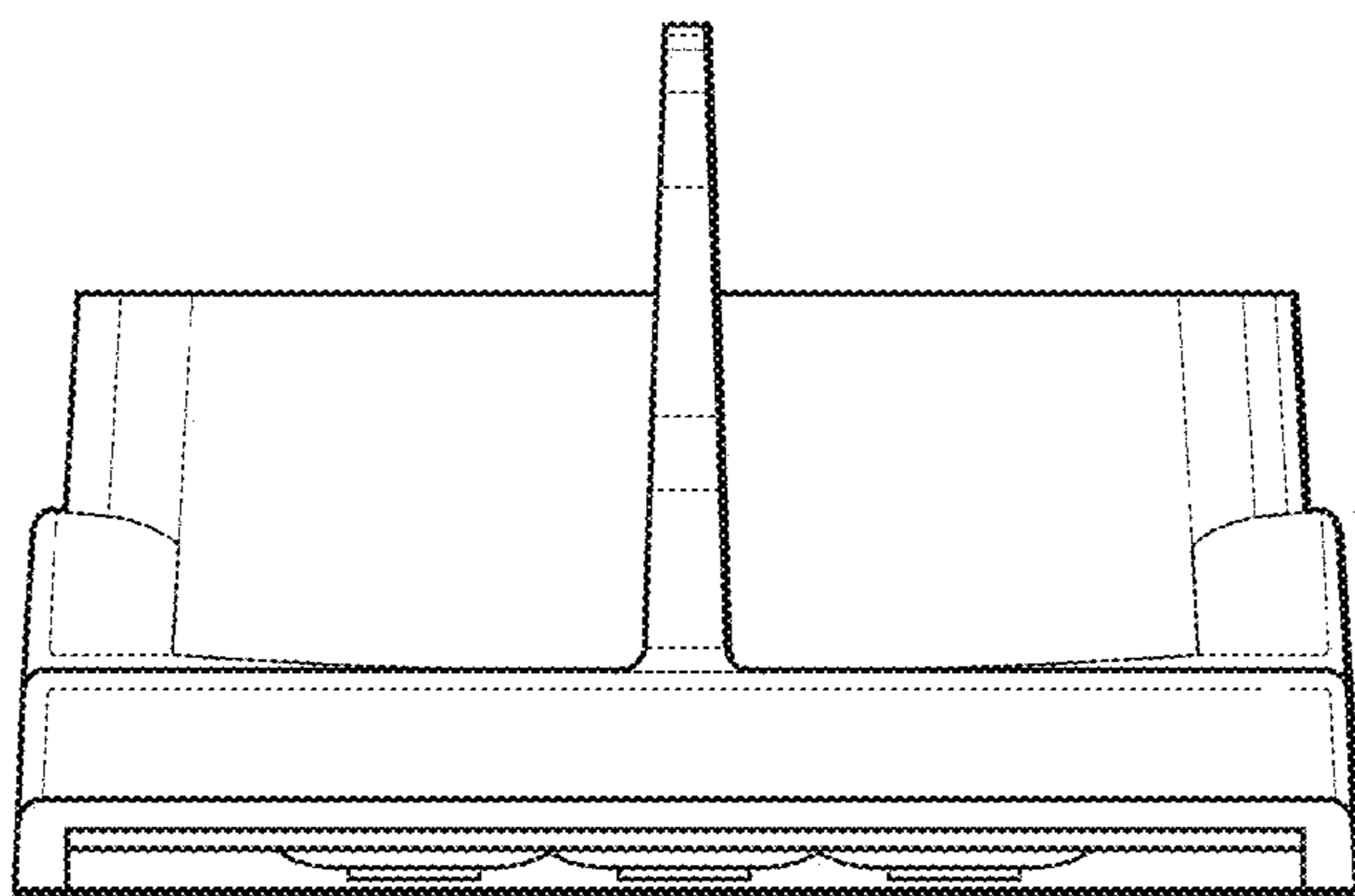


FIG. 9

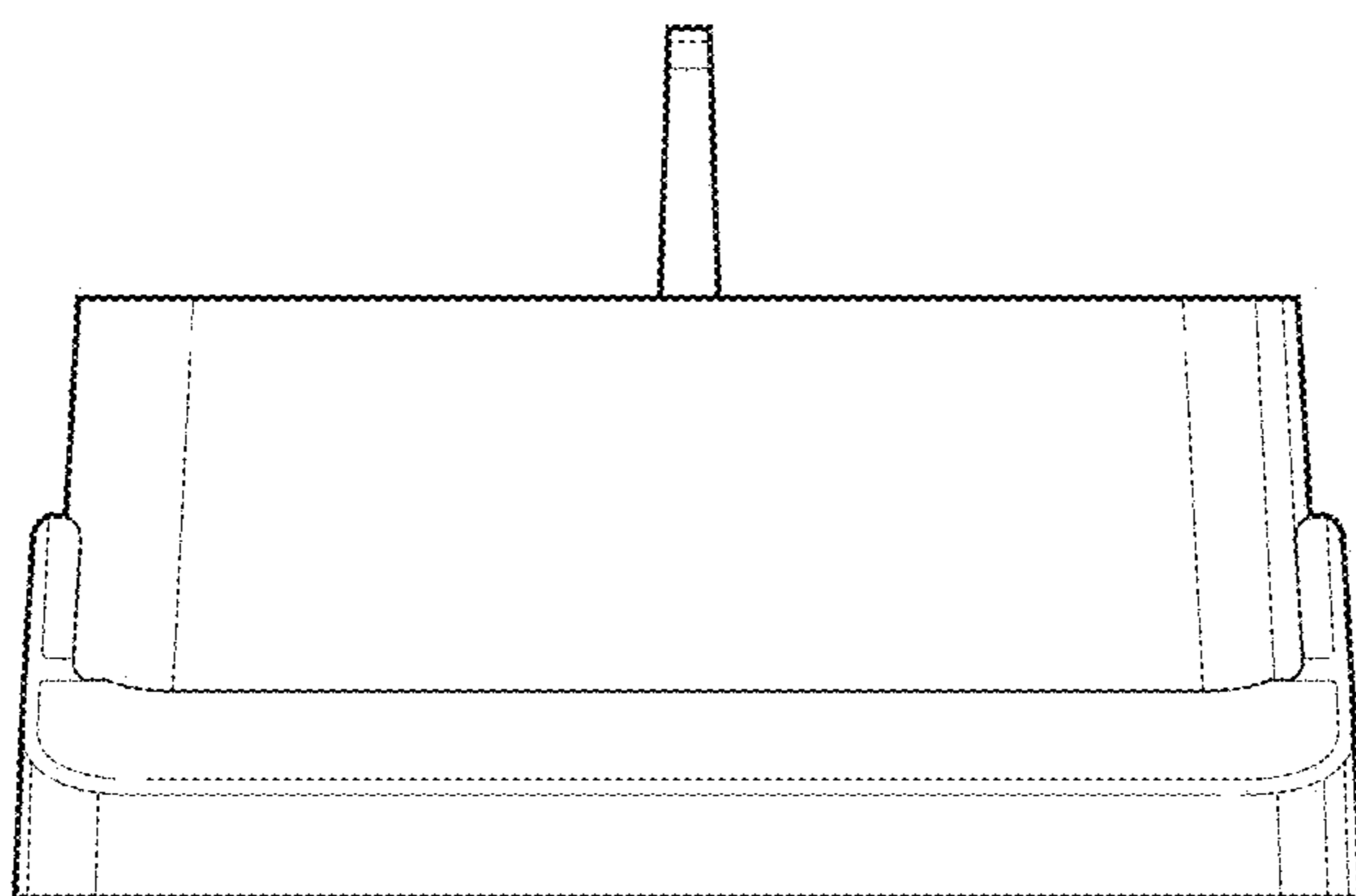


FIG. 10

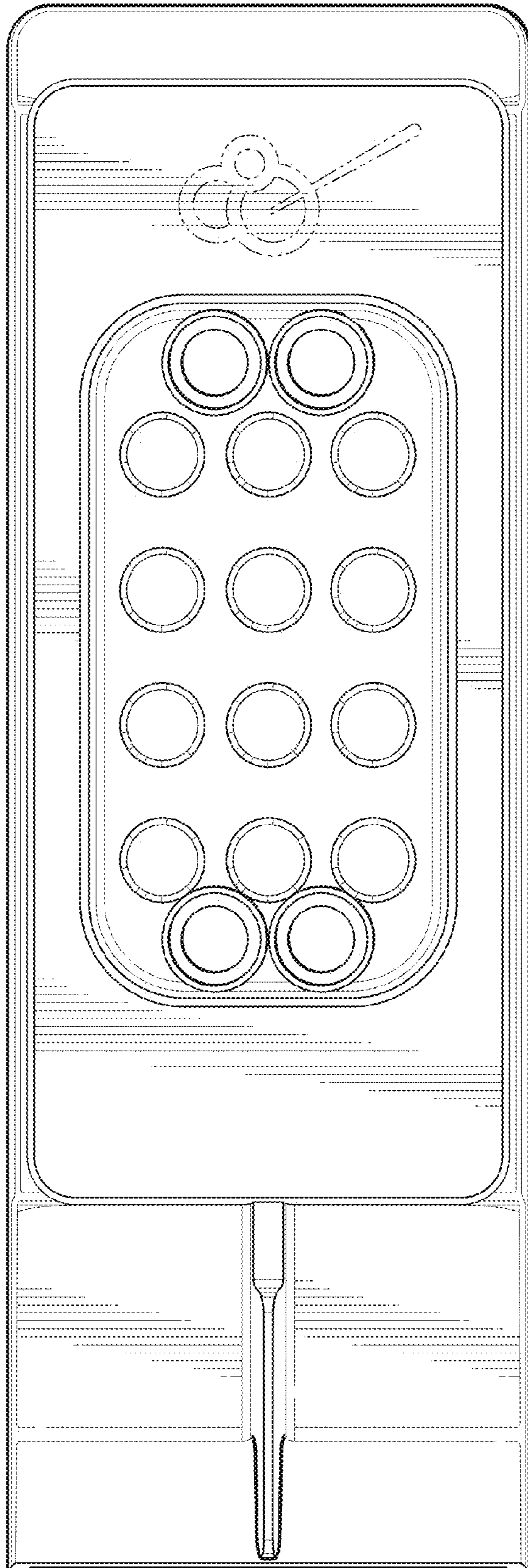


FIG. 11