



US00D700353S

(12) **United States Design Patent**
Cordtz

(10) **Patent No.:** **US D700,353 S**

(45) **Date of Patent:** **** Feb. 25, 2014**

(54) **HEAD MASSAGER WITH STACKED BALL HANDLE**

(71) Applicant: **Caitlin Cordtz**, New York, NY (US)

(72) Inventor: **Caitlin Cordtz**, New York, NY (US)

(73) Assignee: **Kikkerland Design, Inc.**, New York, NY (US)

(**) Term: **14 Years**

(21) Appl. No.: **29/468,374**

(22) Filed: **Sep. 30, 2013**

(51) **LOC (10) Cl.** **28-03**

(52) **U.S. Cl.**
USPC **D24/215**

(58) **Field of Classification Search**
USPC D24/200, 211, 212, 213, 214, 215;
601/114, 120, 121, 124, 125, 130, 131,
601/134, 135, 136, 137

See application file for complete search history.

(56) **References Cited**

U.S. PATENT DOCUMENTS

397,474	A *	2/1889	Stanley	607/148
D145,701	S *	10/1946	Rogers	D21/601
D438,978	S *	3/2001	Conwell	D24/214
6,309,365	B1	10/2001	Lacey		
6,450,980	B1 *	9/2002	Robbins et al.	601/137
D468,435	S *	1/2003	Qi et al.	D24/214
D472,641	S *	4/2003	Robbins et al.	D24/200
D473,949	S *	4/2003	Sorlie et al.	D24/214

D488,231	S *	4/2004	Sorlie	D24/214
7,186,227	B2	3/2007	Friedland		
7,186,228	B2	3/2007	Friedland		
7,393,332	B2	7/2008	Friedland		
7,399,287	B2 *	7/2008	Meisch	601/137
D672,049	S *	12/2012	van der Lande	D24/215
2003/0018285	A1 *	1/2003	Robbins et al.	601/137
2003/0083600	A1 *	5/2003	Robbins et al.	601/133
2003/0208144	A1 *	11/2003	Sorlie et al.	601/137
2004/0049138	A1 *	3/2004	Li	601/137
2005/0020943	A1 *	1/2005	Friedland	601/1
2005/0020944	A1 *	1/2005	Friedland	601/1
2005/0043656	A1 *	2/2005	Lacey	601/72

* cited by examiner

Primary Examiner — Sandra Snapp

(74) *Attorney, Agent, or Firm* — Cascio & Zervas

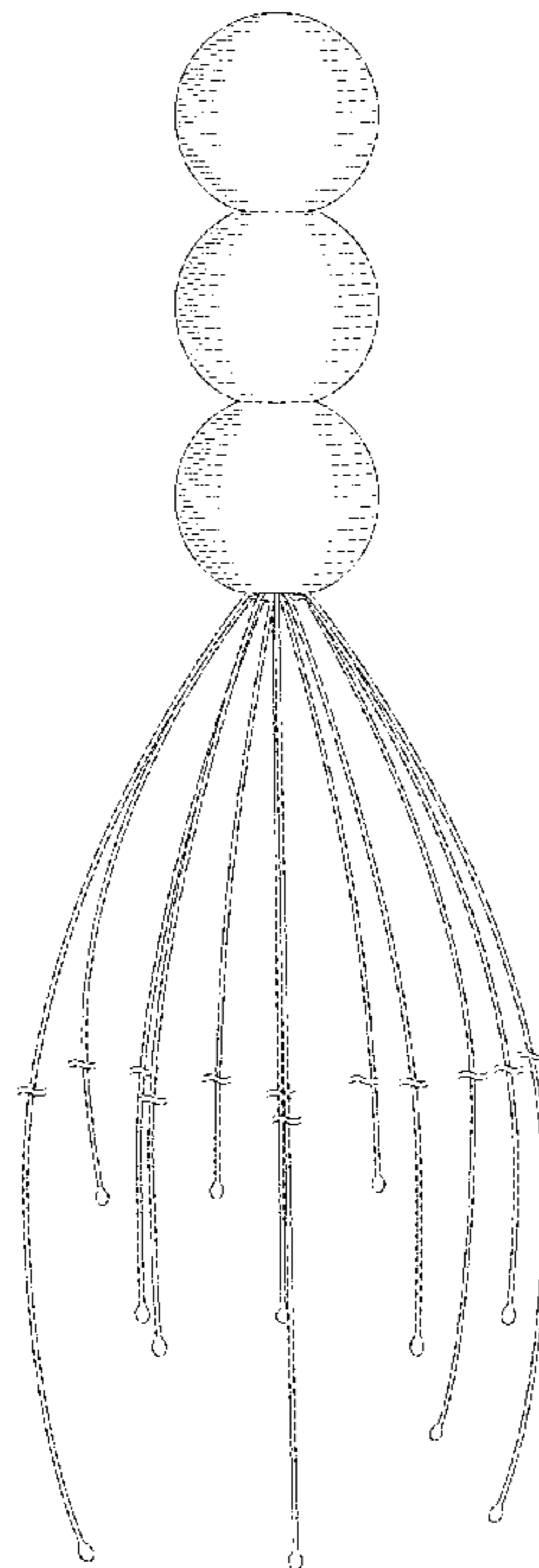
(57) **CLAIM**

The ornamental design for a head massager with stacked ball handle, as shown and described.

DESCRIPTION

FIG. 1 is a front elevational view of a head massager with stacked ball handle showing my design; FIG. 2 is a rear elevational view thereof; FIG. 3 is a left side elevational view thereof; FIG. 4 is a right side elevational view thereof; FIG. 5 is a top plan view thereof; FIG. 6 is a bottom plan view thereof; and, FIG. 7 is a perspective view thereof. The break lines in FIGS. 1-7 are for the purpose of showing indefinite lengths of the rods.

1 Claim, 3 Drawing Sheets



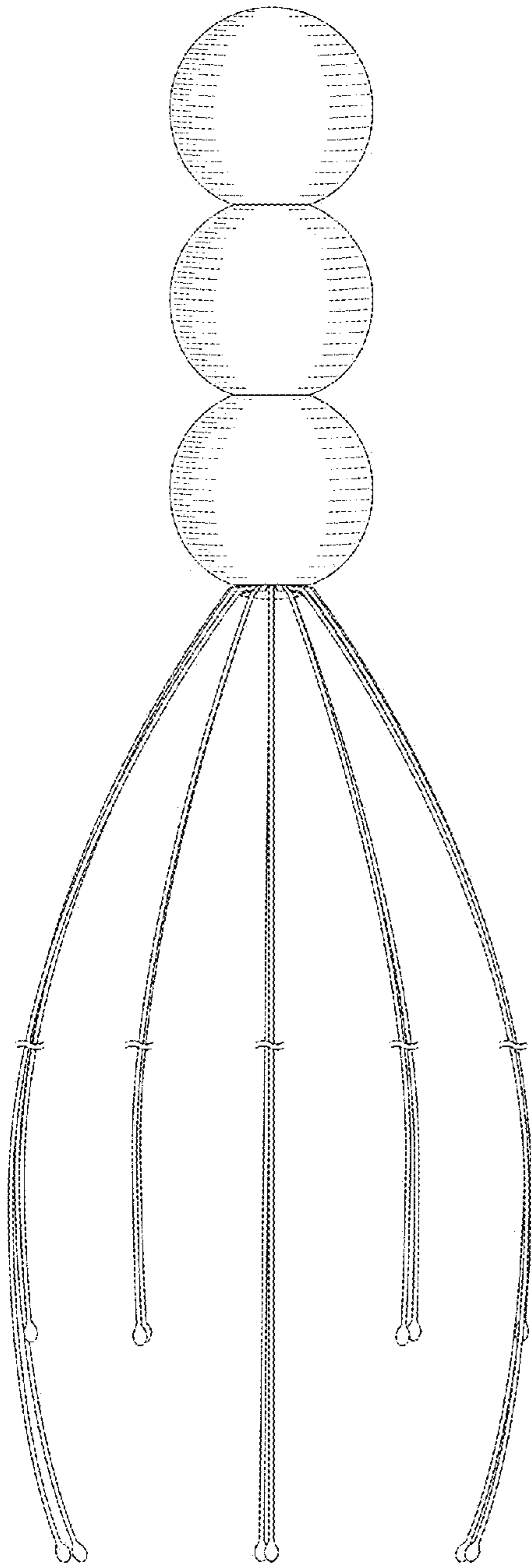


FIG. 1

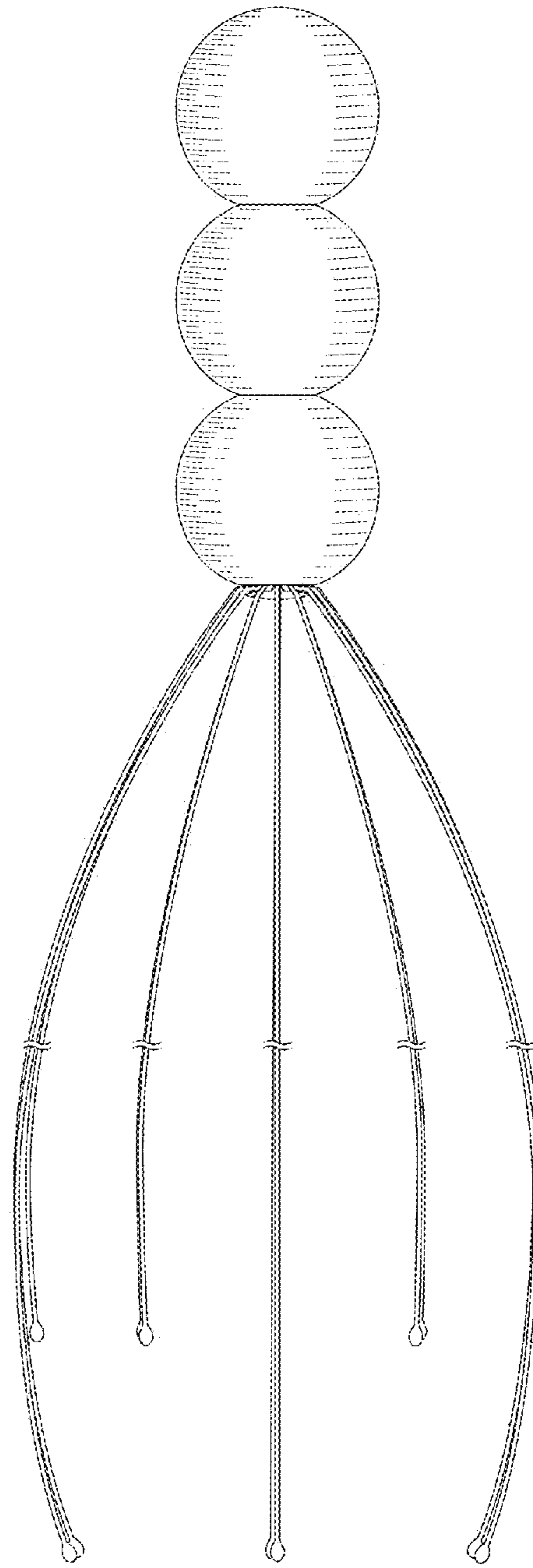


FIG. 2

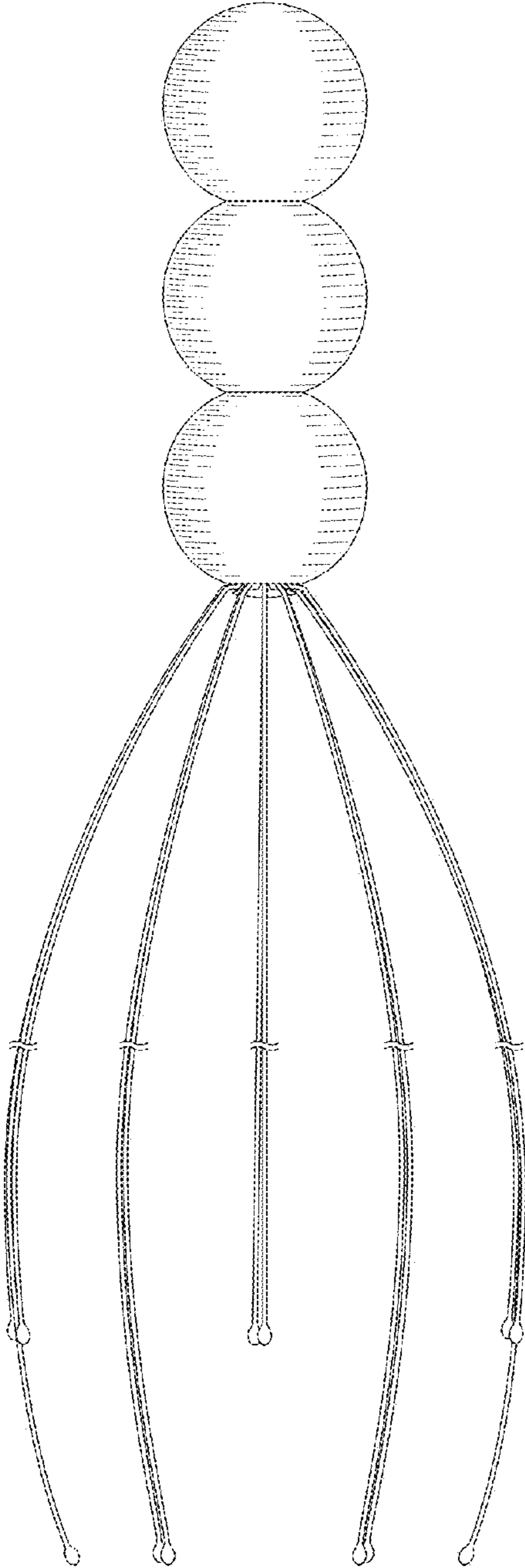


FIG. 3

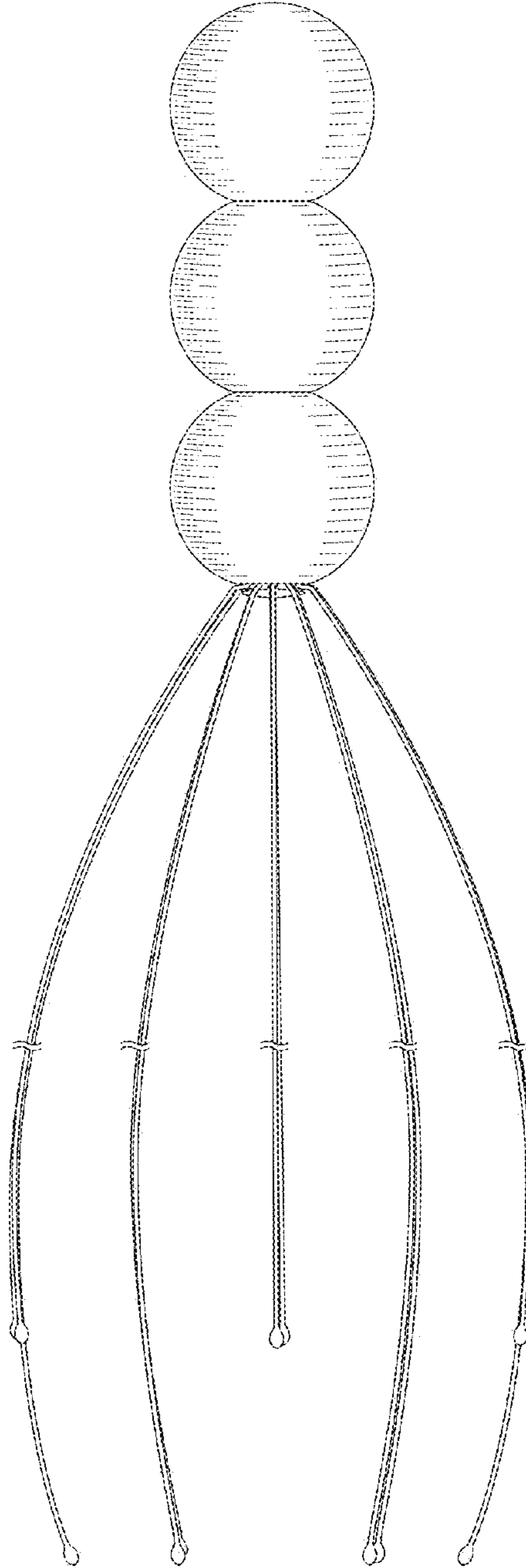


FIG. 4

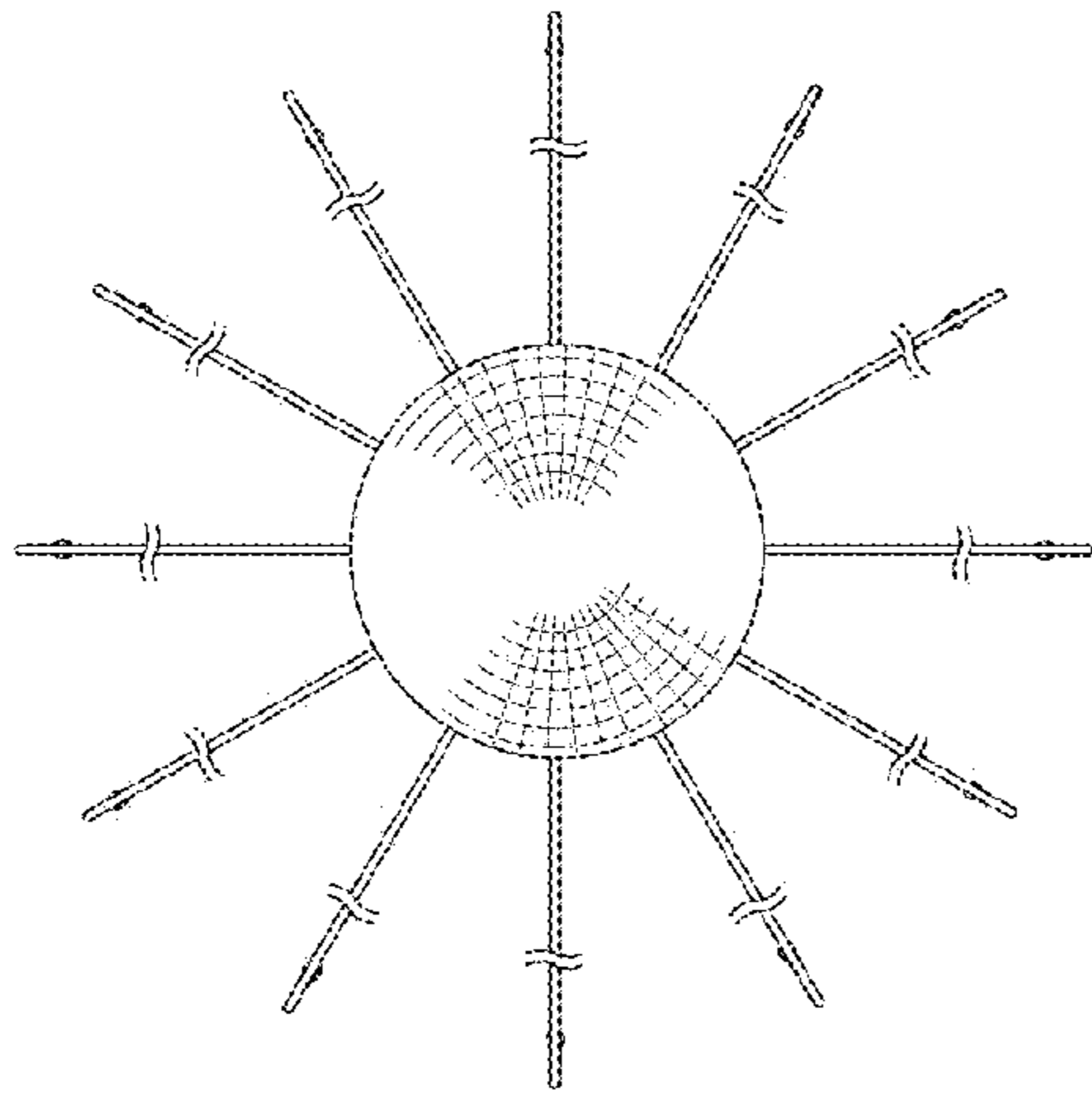


FIG. 5

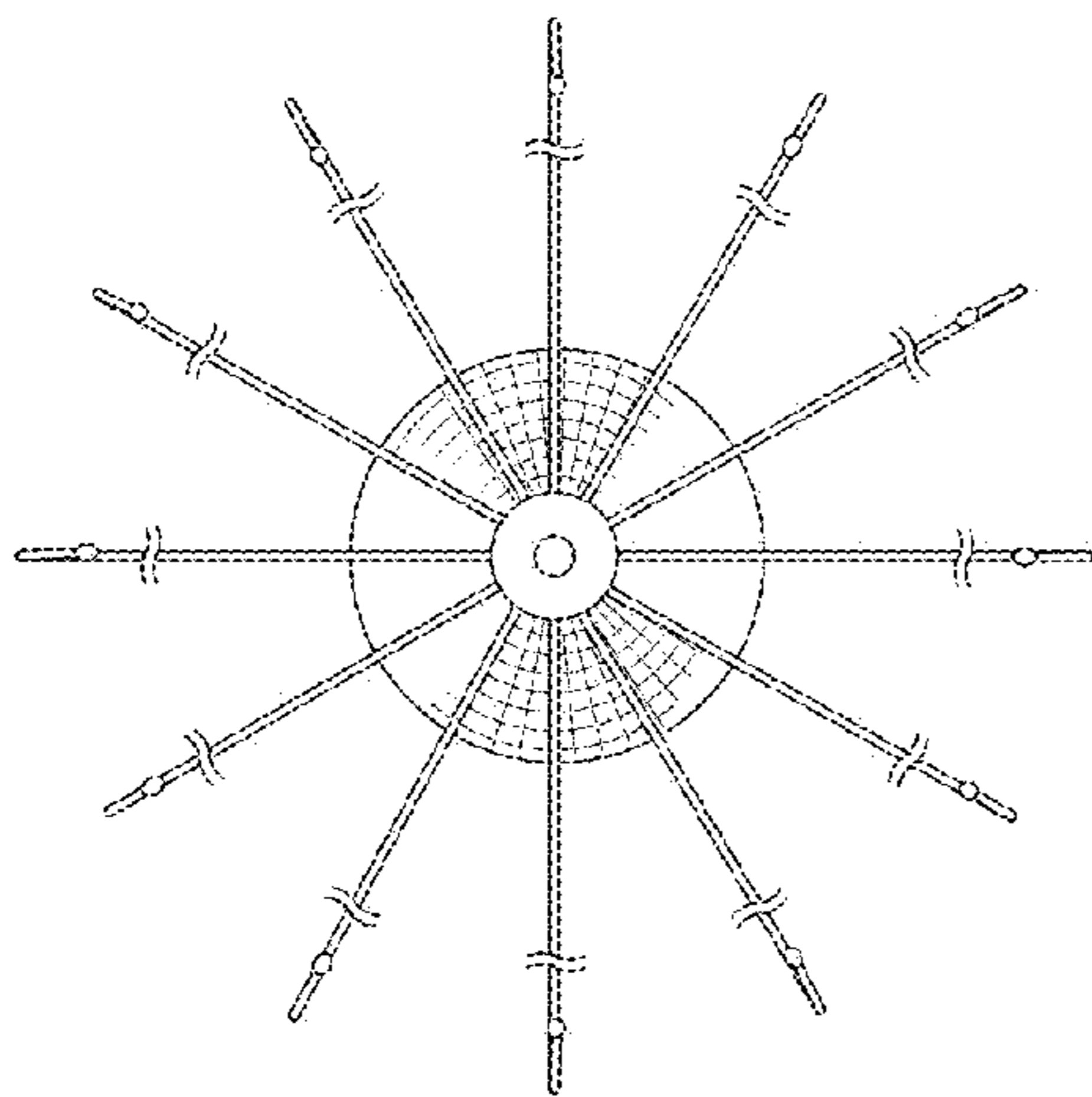


FIG. 6

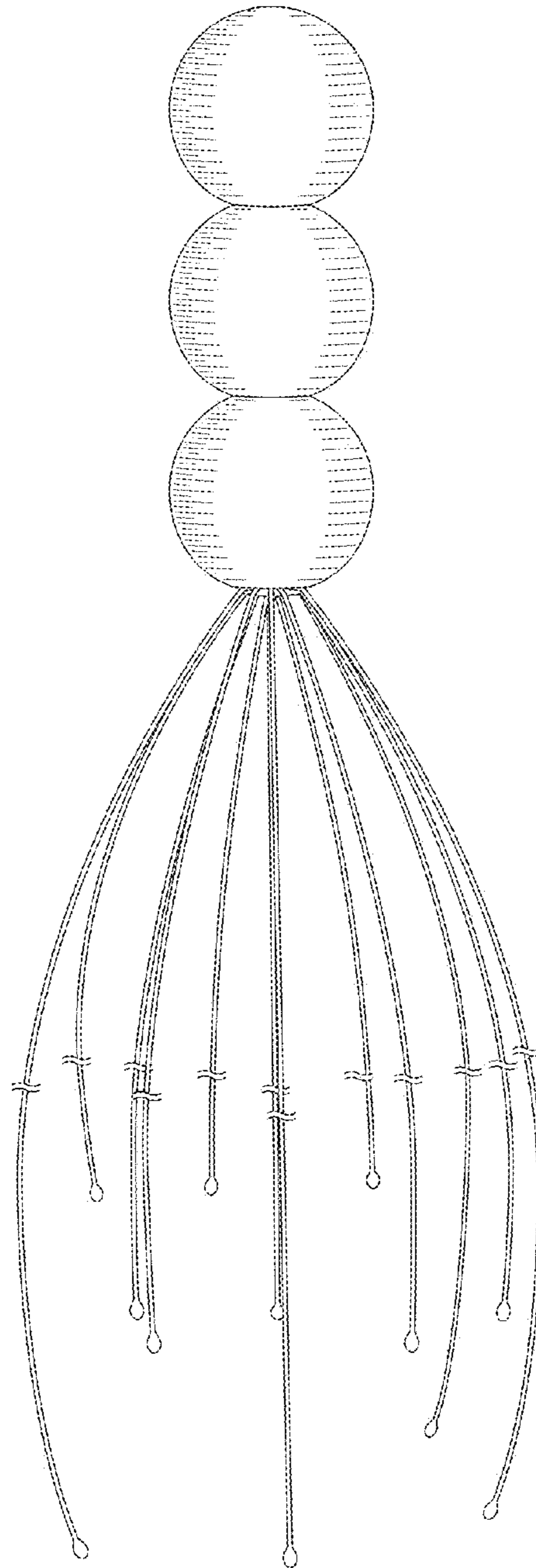


FIG. 7