



US00D700345S

(12) **United States Design Patent**
Park

(10) **Patent No.:** **US D700,345 S**

(45) **Date of Patent:** **** Feb. 25, 2014**

(54) **THERAPY MACHINE**

(76) Inventor: **Il Ju Park**, Seoul (KR)

(**) Term: **14 Years**

(21) Appl. No.: **29/392,430**

(22) Filed: **May 20, 2011**

(51) **LOC (10) CL.** **24-01**

(52) **U.S. CL.**
USPC **D24/200**

(58) **Field of Classification Search**
USPC D24/183-184, 200, 209, 215;
D6/382-383, 389, 385; D26/74;
D21/811; 5/1, 2 B, 600, 414, 902, 905,
5/907, 933

See application file for complete search history.

(56) **References Cited**

U.S. PATENT DOCUMENTS

| | | | | |
|-----------|-----|---------|---------------|---------|
| 567,915 | A * | 9/1896 | McLarty | 472/135 |
| 3,596,297 | A * | 8/1971 | James | 5/2.1 |
| D246,556 | S * | 12/1977 | Parsons | D6/389 |
| 4,550,457 | A * | 11/1985 | Dukkers | 5/414 |
| 4,590,940 | A * | 5/1986 | Pigmans | 607/91 |
| D288,636 | S * | 3/1987 | McLaren | D6/383 |
| D306,474 | S * | 3/1990 | Scheurer | D6/382 |
| 6,094,760 | A * | 8/2000 | Nonaka et al. | 5/600 |
| D517,829 | S * | 3/2006 | McCoy et al. | D6/382 |

| | | | | |
|-----------|------|---------|-----------------|---------|
| 8,104,116 | B2 * | 1/2012 | Johnson-Jones | 5/2.1 |
| 8,191,222 | B2 * | 6/2012 | Campbell et al. | D24/184 |
| D671,667 | S * | 11/2012 | Kim et al. | D26/74 |

OTHER PUBLICATIONS

Korean Design Application for 30/2010-0026292 filed Jun. 15, 2010, with English translation.

* cited by examiner

Primary Examiner — Robert Delehanty

(74) *Attorney, Agent, or Firm* — Lowe Hauptman & Ham, LLP

(57) **CLAIM**

The ornamental design for a therapy machine, as shown and described.

DESCRIPTION

FIG. 1 is a top perspective view of a therapy machine showing my new design;

FIG. 2 is a front elevational view thereof;

FIG. 3 is a rear elevational view thereof;

FIG. 4 is a left side elevational view thereof;

FIG. 5 is a right side elevational view thereof;

FIG. 6 is a top plan view thereof;

FIG. 7 is a bottom plan view thereof; and,

FIG. 8 is a bottom perspective view thereof.

1 Claim, 7 Drawing Sheets

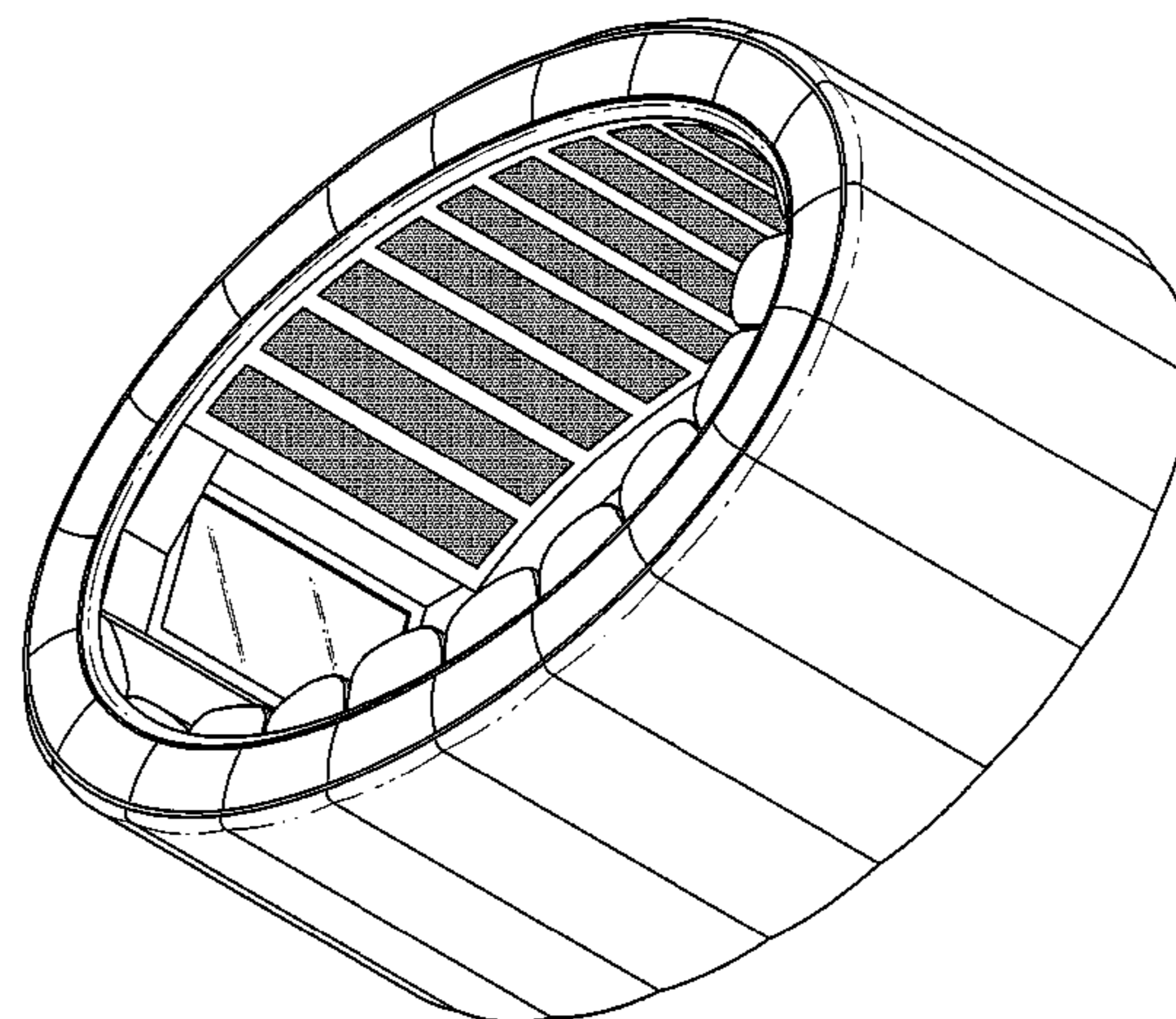
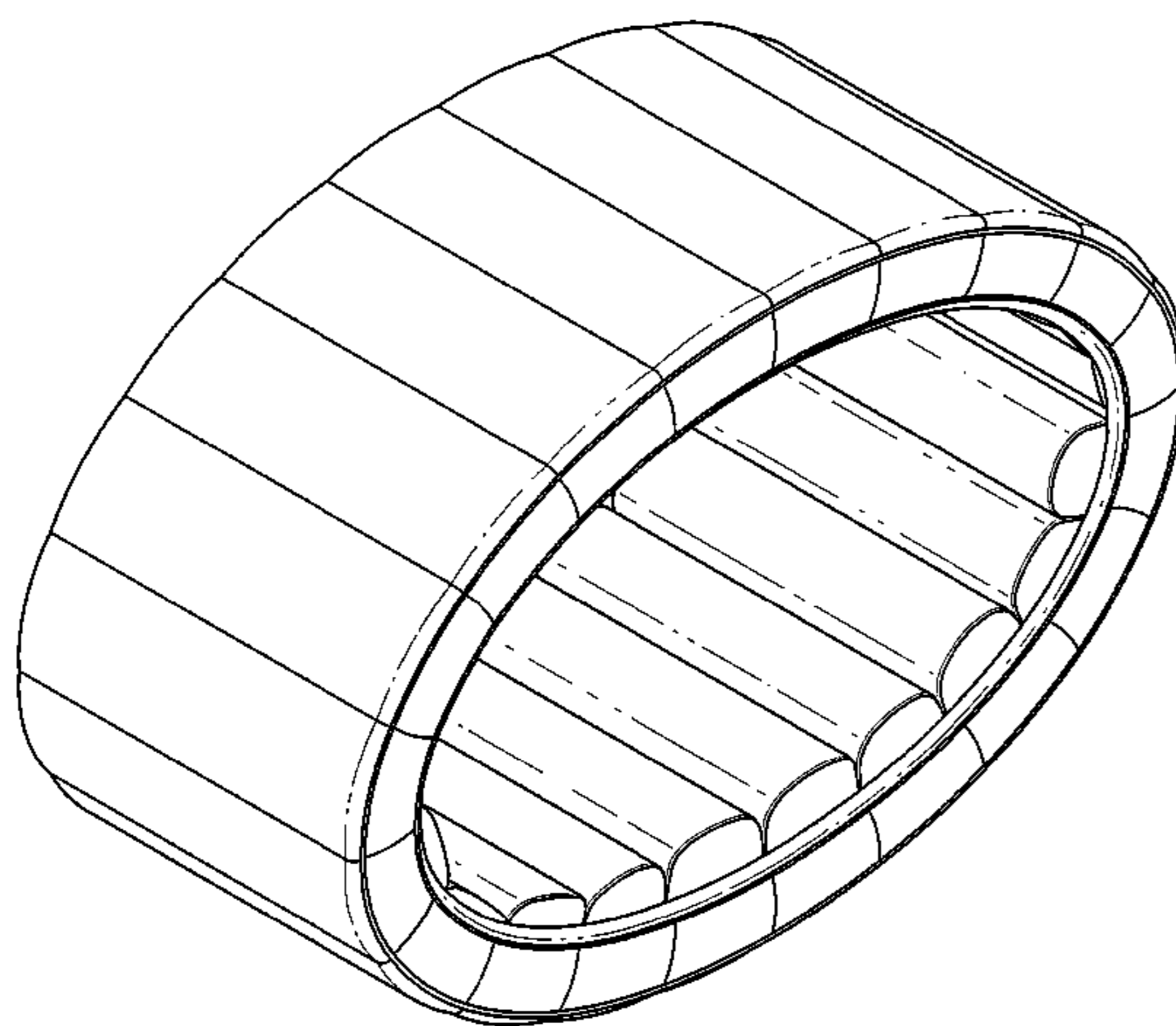


FIG. 1

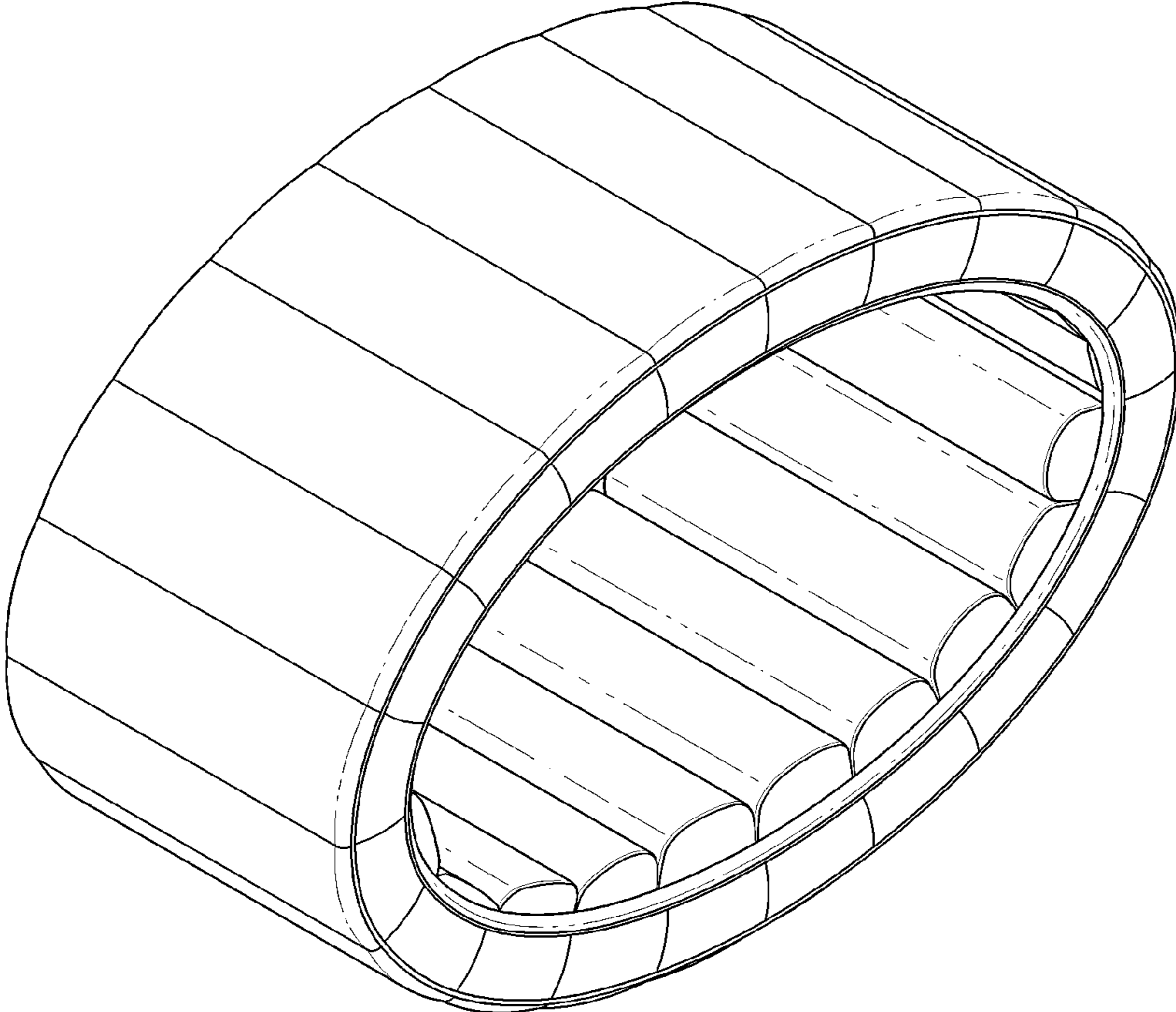


FIG. 2

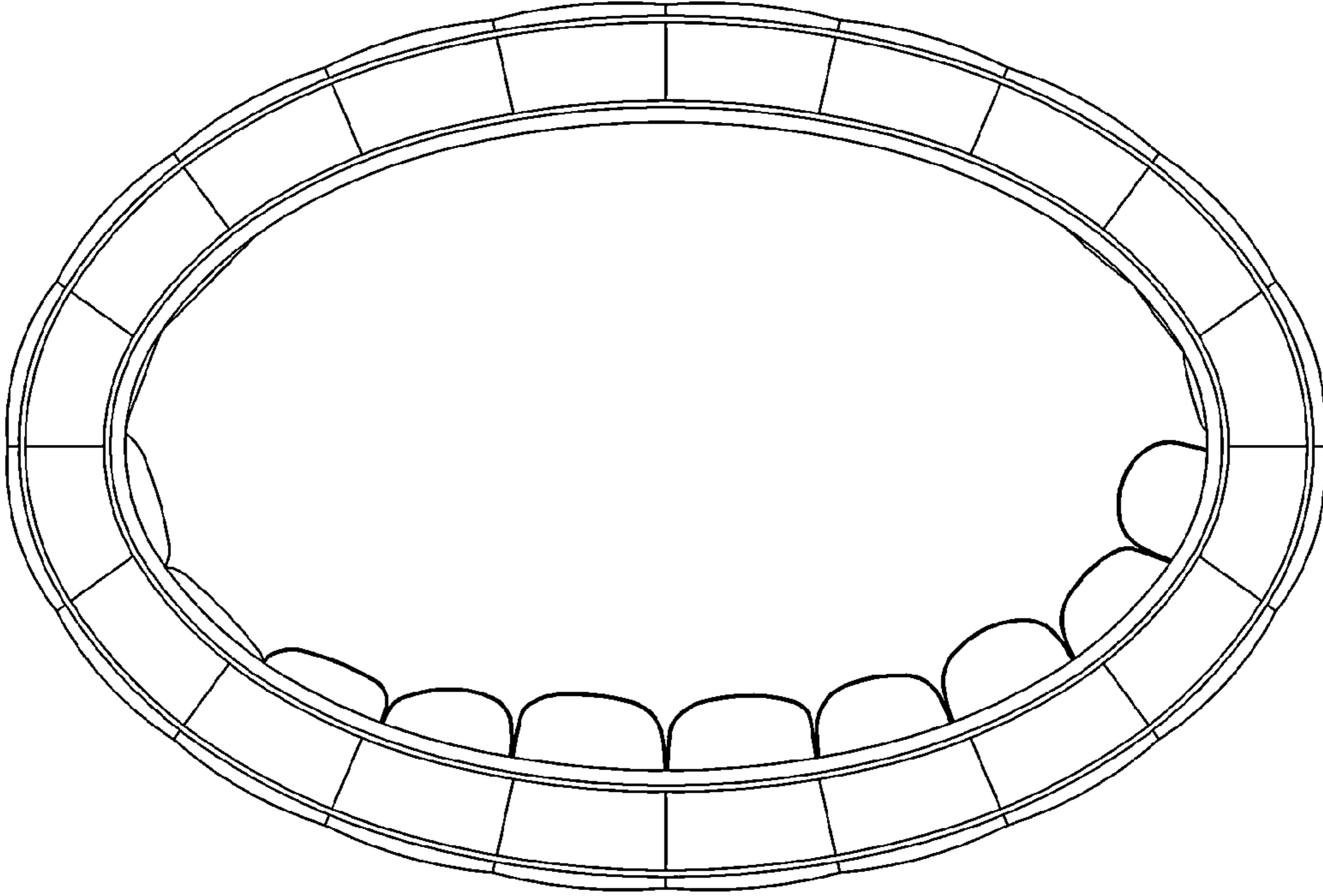


FIG. 3

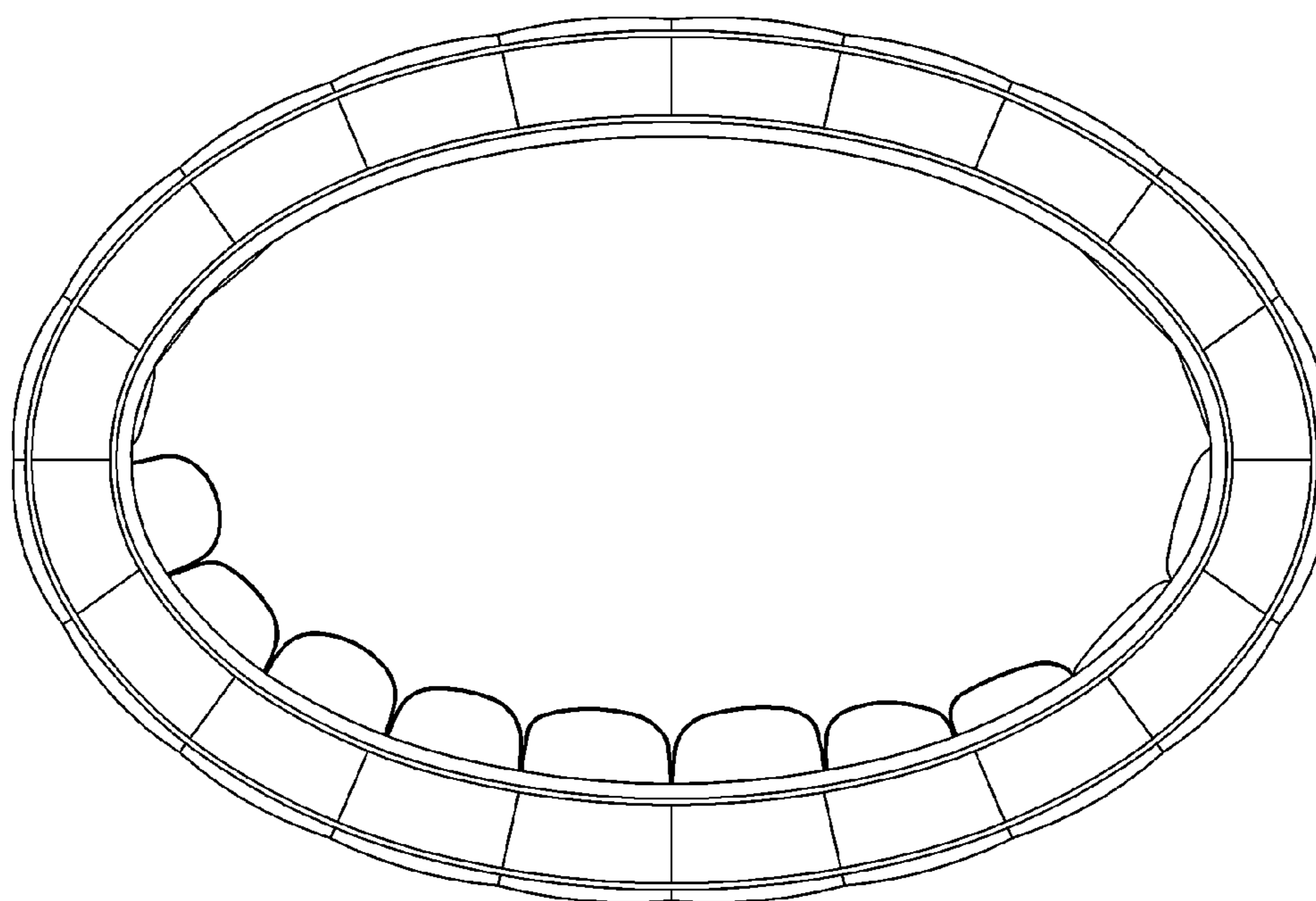


FIG. 4

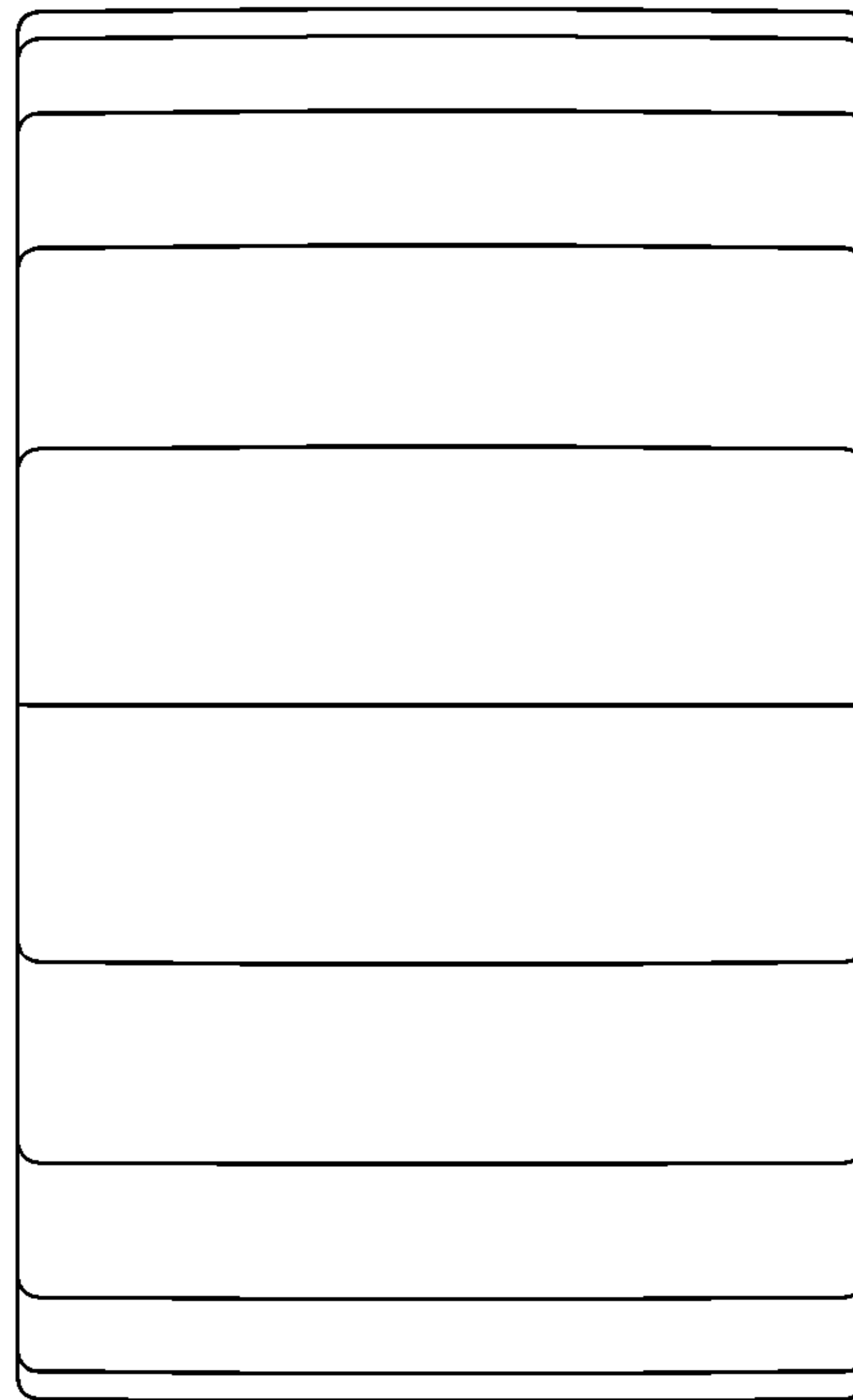


FIG. 5

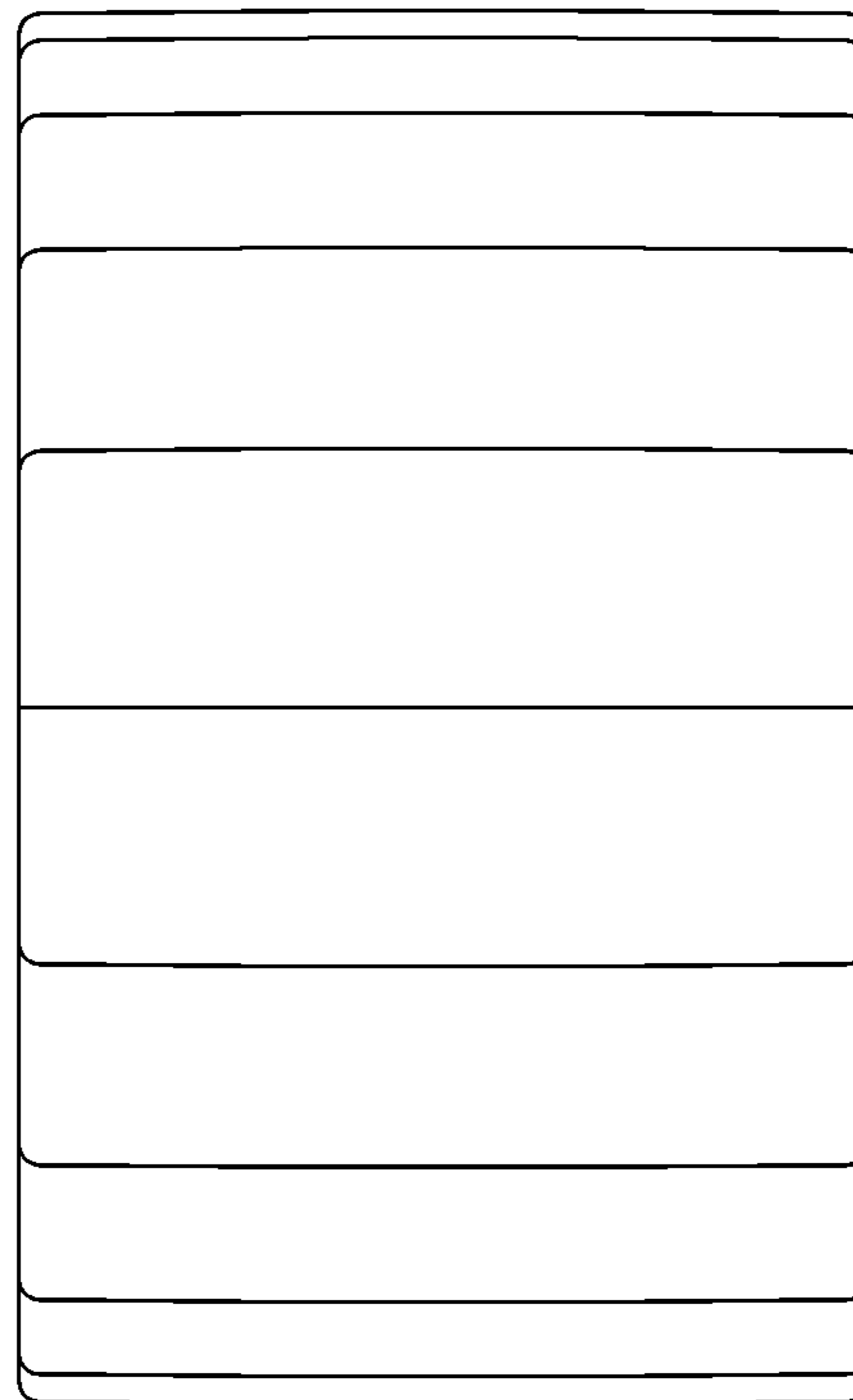


FIG. 6

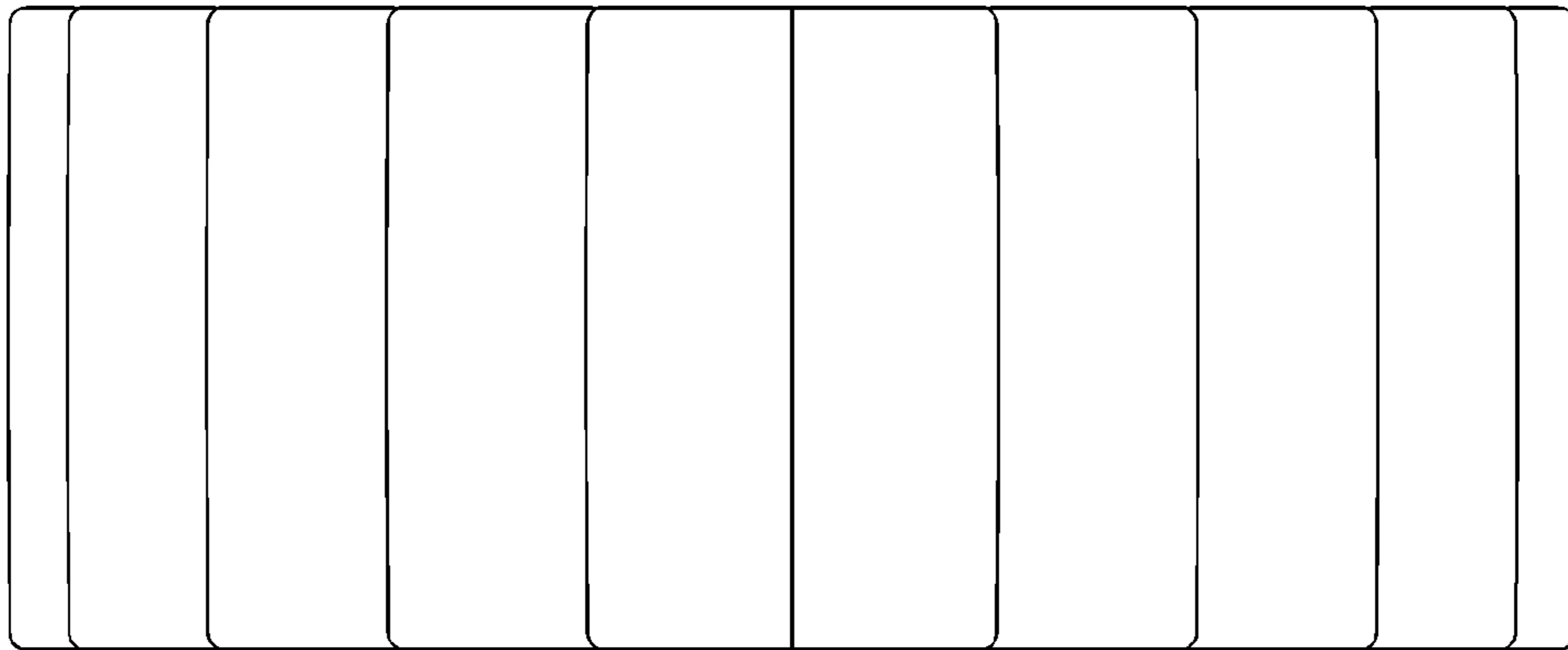


FIG. 7

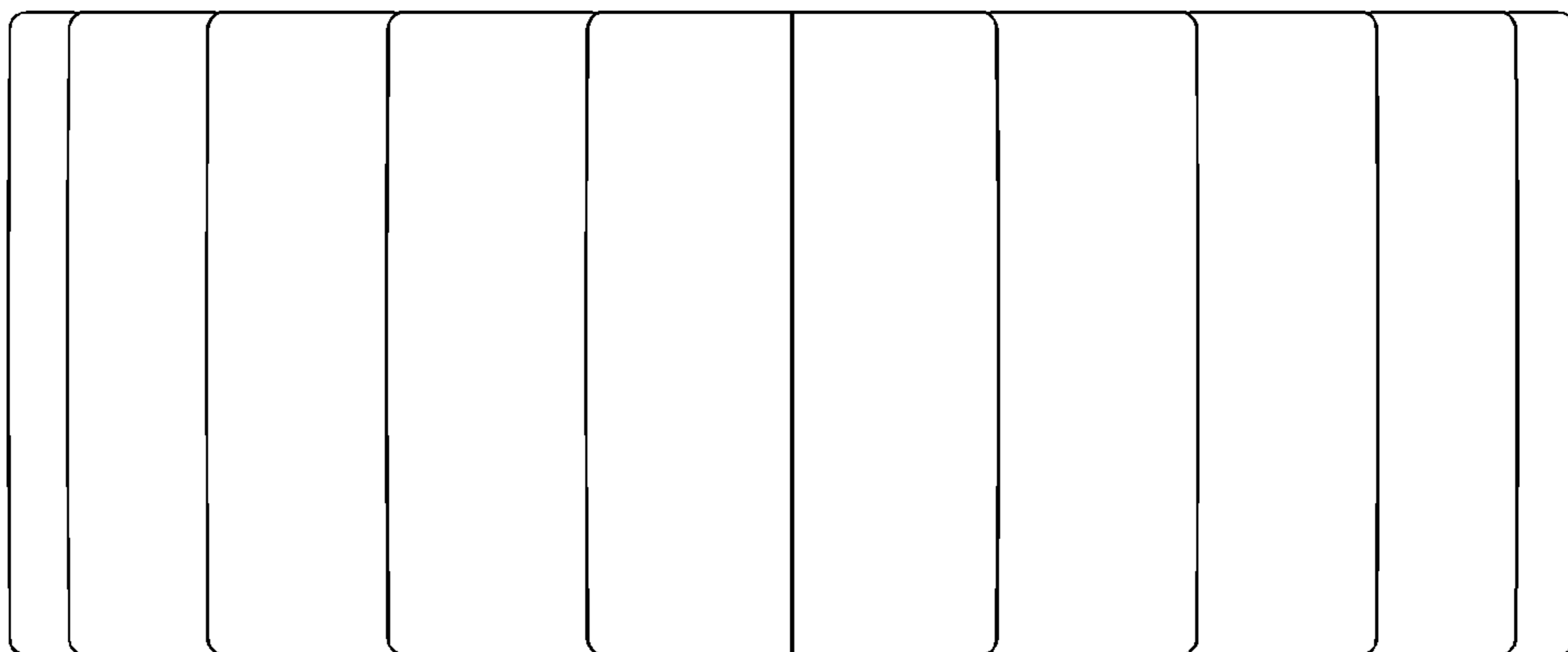


FIG. 8

