



US00D700344S

(12) **United States Design Patent**
Jackson-Berry

(10) **Patent No.:** **US D700,344 S**

(45) **Date of Patent:** **** Feb. 25, 2014**

(54) **BREAST AND NIPPLE SHAPED PACIFIER**

(76) **Inventor:** **Nikole Denise Jackson-Berry**, Rancho Cucamonga, CA (US)

(**) **Term:** **14 Years**

(21) **Appl. No.:** **29/430,575**

(22) **Filed:** **Aug. 28, 2012**

(51) **LOC (10) Cl.** **24-04**

(52) **U.S. Cl.**
USPC **D24/194**

(58) **Field of Classification Search**
USPC D24/117, 193–196, 199, 200, 211, 214;
606/234–236; 215/11.1–11.6;
D30/160; 604/77; 119/707, 710, 711;
24/3.1, 3.4, 3.13, 301

See application file for complete search history.

(56) **References Cited**

U.S. PATENT DOCUMENTS

4,488,551	A *	12/1984	Connelly	606/236
D300,462	S *	3/1989	English et al.	D24/194
D381,752	S	7/1997	McCoy		
6,161,710	A	12/2000	Dieringer et al.		
D439,983	S *	4/2001	Dealing	D24/194
D490,158	S *	5/2004	Ajibolade	D24/194

6,736,830	B2	5/2004	Roust		
7,318,433	B2 *	1/2008	Cockerham	128/201.26
7,326,234	B2 *	2/2008	Lieberman et al.	606/236
7,351,251	B2	4/2008	Garrett		
D599,028	S *	8/2009	Schofield	D24/196
8,357,117	B2 *	1/2013	Sokal et al.	604/76
D685,101	S *	6/2013	Miles	D24/195
2003/0176891	A1 *	9/2003	Frederic	606/234
2005/0288712	A9	12/2005	Hakim		
2008/0314776	A1	12/2008	Cooke		

* cited by examiner

Primary Examiner — Cathron Brooks

Assistant Examiner — Sydney R Buffallow

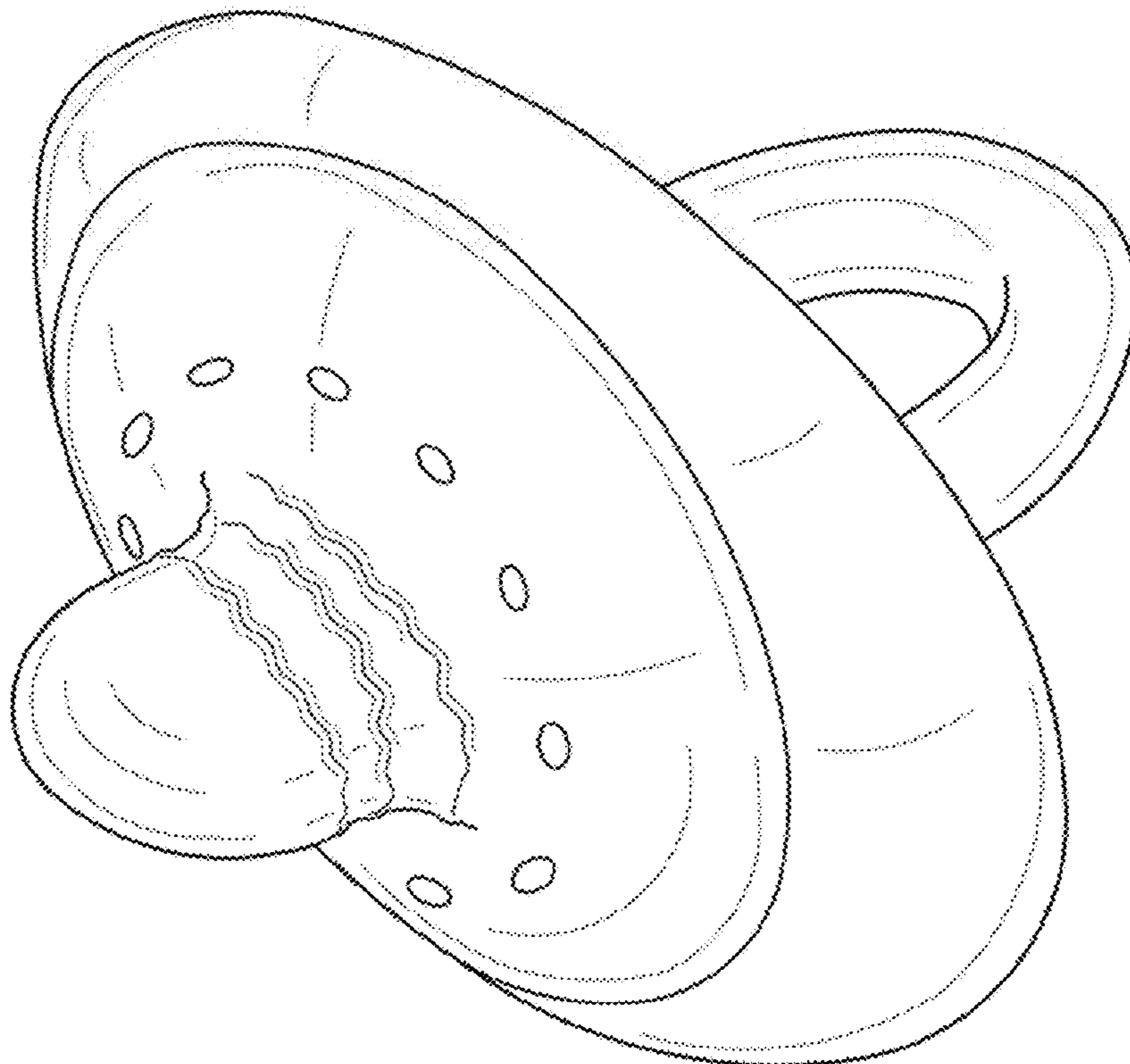
(57) **CLAIM**

I claim the ornamental design for the breast and nipple shaped pacifier, as shown and described.

DESCRIPTION

FIG. 1 is a front view of the breast and nipple shaped pacifier. FIG. 2 is a rear view of the claimed design. FIG. 3 is a side view of the claimed design. FIG. 4 is a top view of the claimed design. FIG. 5 is a bottom view of the claimed design; and, FIG. 6 is a perspective view of the claimed design.

1 Claim, 3 Drawing Sheets



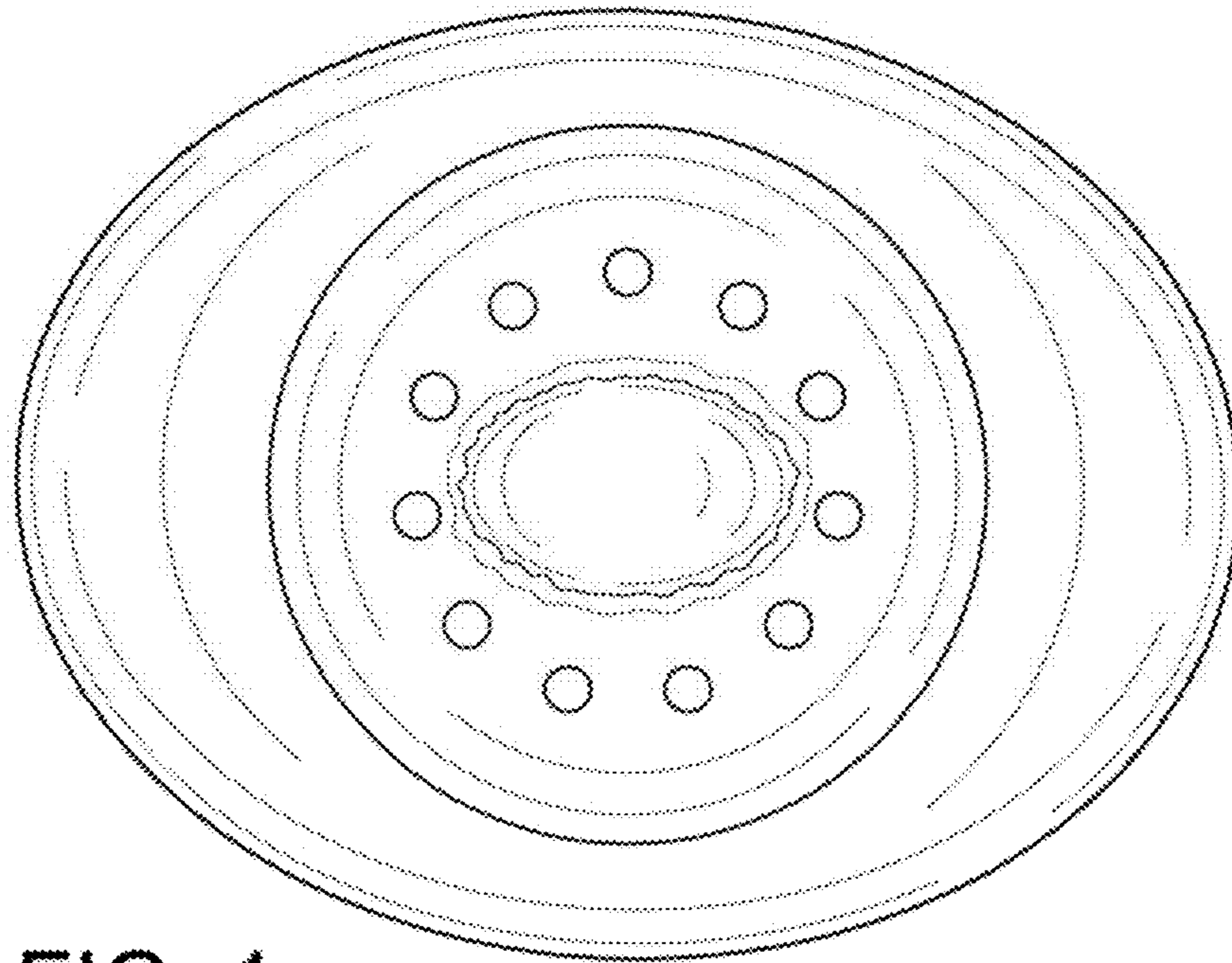


FIG. 1

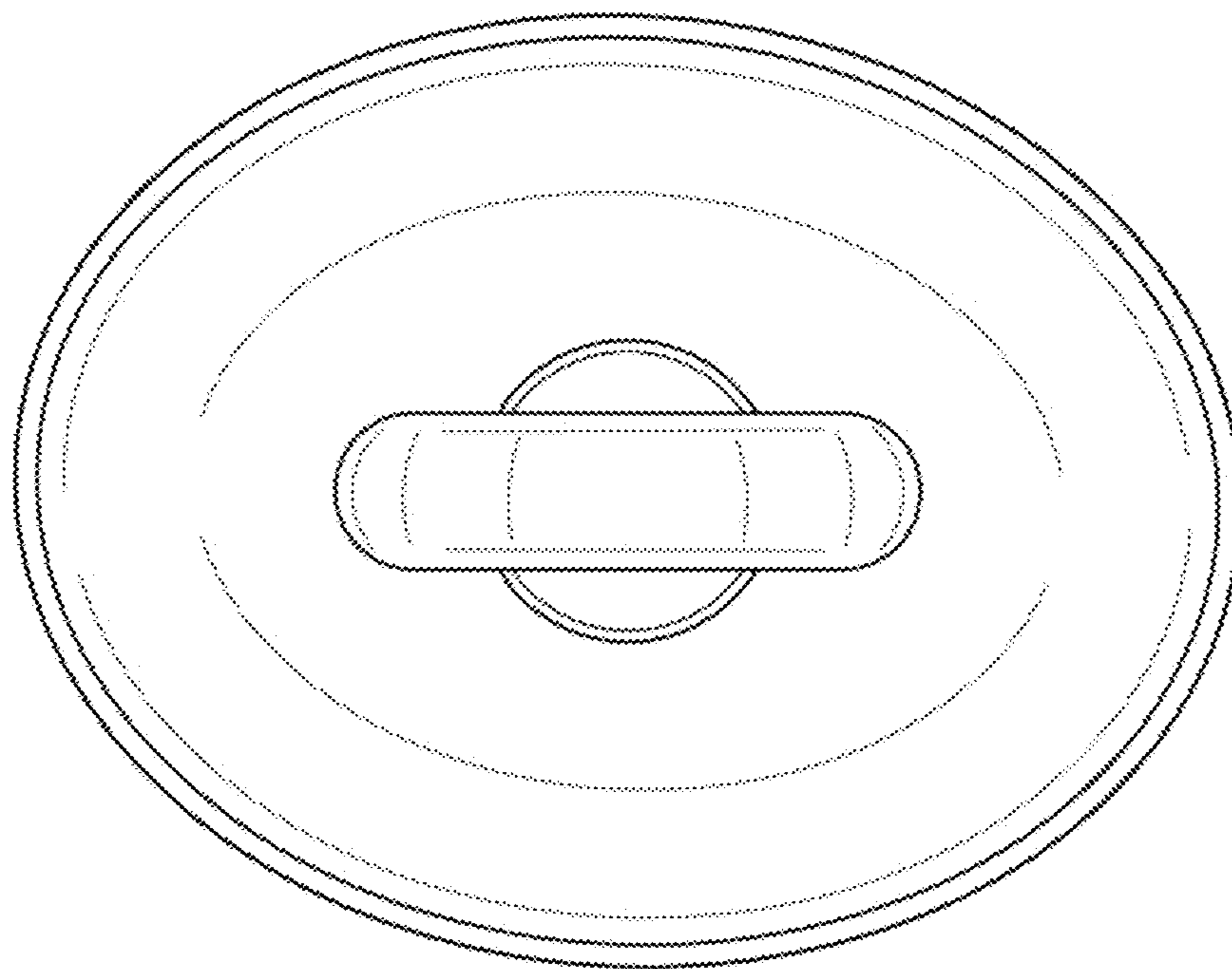


FIG. 2

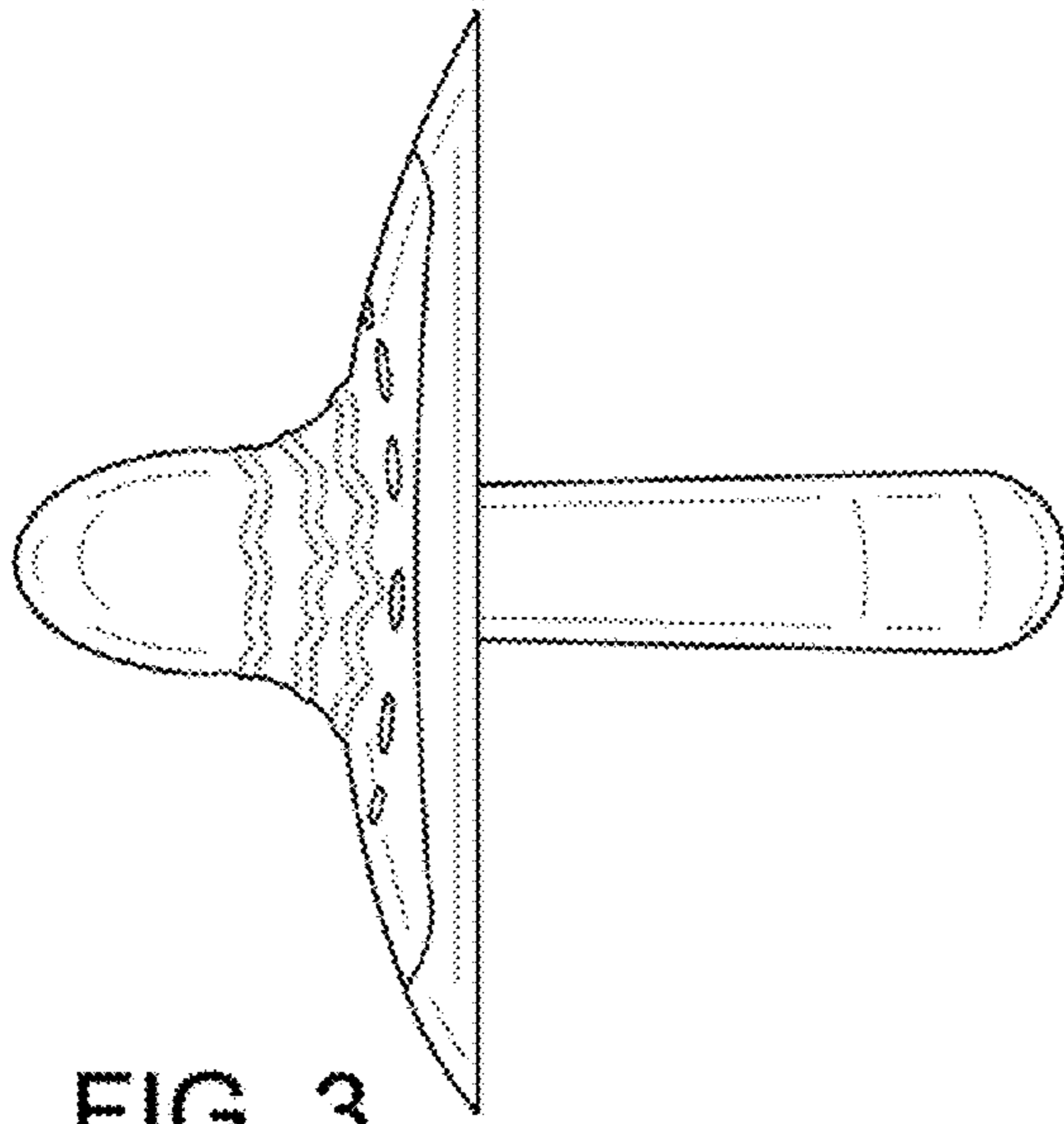


FIG. 3

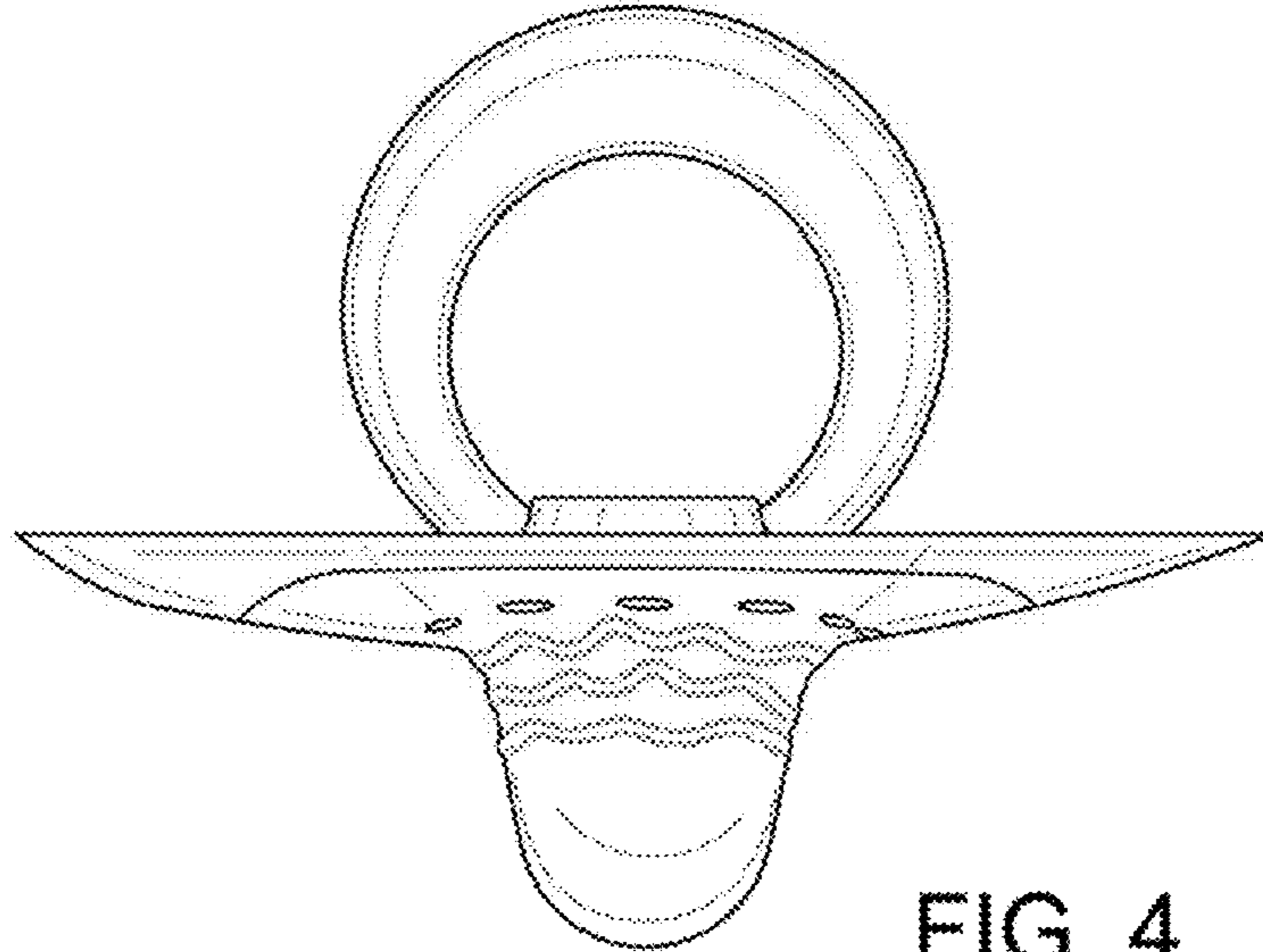


FIG. 4

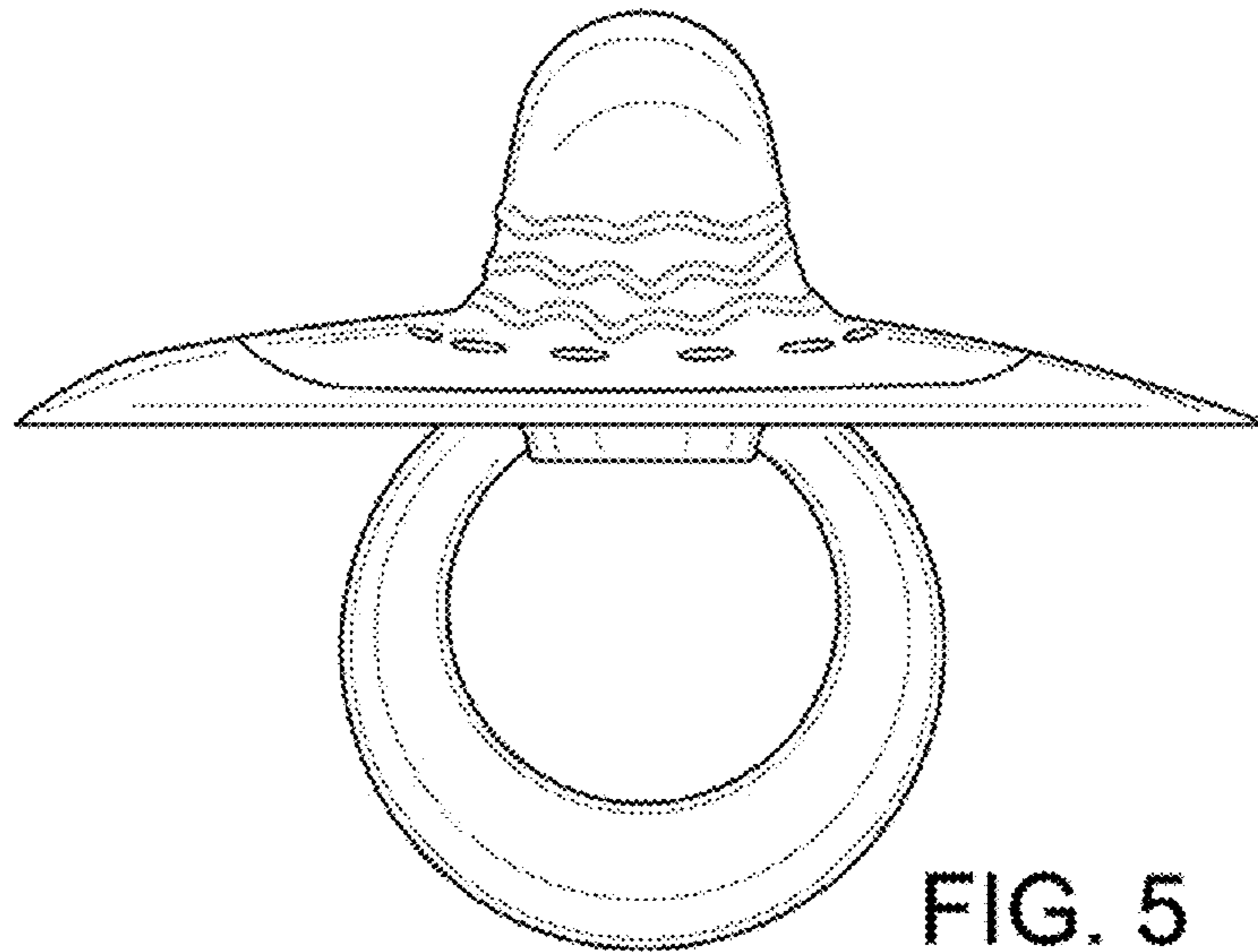


FIG. 5

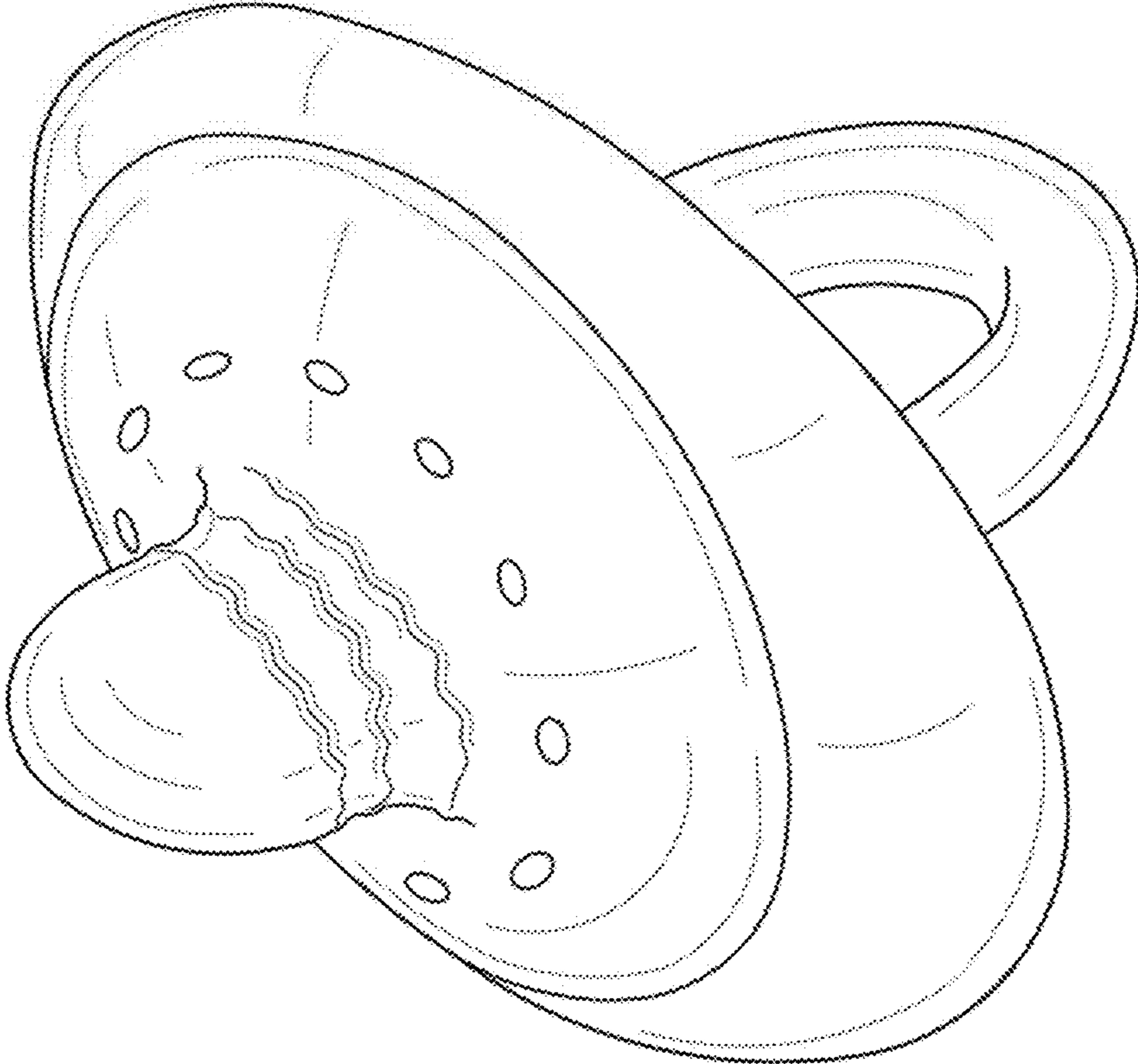


FIG. 6