



US00D700342S

(12) **United States Design Patent**
Hiramura

(10) **Patent No.:** **US D700,342 S**
(45) **Date of Patent:** **** Feb. 25, 2014**

- (54) **BLOOD GLUCOSE TEST METER**
- (71) Applicant: **Arkray, Inc.**, Kyoto (JP)
- (72) Inventor: **Fumito Hiramura**, Kyoto (JP)
- (73) Assignee: **Arkray, Inc.**, Kyoto (JP)
- (**) Term: **14 Years**
- (21) Appl. No.: **29/434,488**
- (22) Filed: **Oct. 12, 2012**

D595,415 S	6/2009	Fukuzawa
7,731,900 B2	6/2010	Haar et al.
D626,651 S	11/2010	Brauer et al.
D630,113 S	1/2011	Orr et al.
D633,814 S	3/2011	Nishiyama
D663,845 S *	7/2012	Delaey D24/169
2006/0259676 A1	11/2006	Oberding et al.

FOREIGN PATENT DOCUMENTS

JP	1353862 S	2/2009
JP	1354727 S	2/2009
JP	1397613 S	8/2010

* cited by examiner

Primary Examiner — Anhdao Doan

(74) *Attorney, Agent, or Firm* — Studebaker & Brackett PCa

Related U.S. Application Data

- (63) Continuation of application No. 29/399,209, filed on Aug. 10, 2011, now abandoned.

Foreign Application Priority Data

Feb. 15, 2011 (JP) D2011-003123

(51) **LOC (10) Cl.** **24-01**

(52) **U.S. Cl.**
USPC **D24/169**

(58) **Field of Classification Search**
USPC D24/165–169, 107, 186, 216, 223, 231,
D24/232; D10/46, 81; D14/341; 422/56, 58,
422/68.1; 600/316, 322, 347, 365, 368
See application file for complete search history.

References Cited

U.S. PATENT DOCUMENTS

6,377,894 B1	4/2002	Deweese et al.
D471,280 S	3/2003	Jaeck
D493,536 S	7/2004	Jaeck et al.
D510,711 S	10/2005	Syme et al.
D545,436 S	6/2007	Padain
D545,438 S	6/2007	Huang et al.
D546,216 S	7/2007	Bolognesi et al.
D585,135 S	1/2009	Mori et al.
D590,063 S	4/2009	Garthoff et al.

CLAIM

(57) The ornamental design for a blood glucose test meter, as shown and described.

DESCRIPTION

FIG. 1 is a front elevational view of the blood glucose test meter;
 FIG. 2 is a rear elevational view of the blood glucose test meter;
 FIG. 3 is a left side elevational view of the blood glucose test meter;
 FIG. 4 is a right side elevational view of the blood glucose test meter;
 FIG. 5 is a top plan view of the blood glucose test meter;
 FIG. 6 is a bottom plan view of the blood glucose test meter;
 FIG. 7 is a perspective view of the blood glucose test meter;
 and,
 FIG. 8 is another perspective view of the blood glucose test meter.
 The broken lines in the drawing views are included for the purpose of illustrating portions of the blood glucose test meter that form no part of the claimed design.

1 Claim, 5 Drawing Sheets

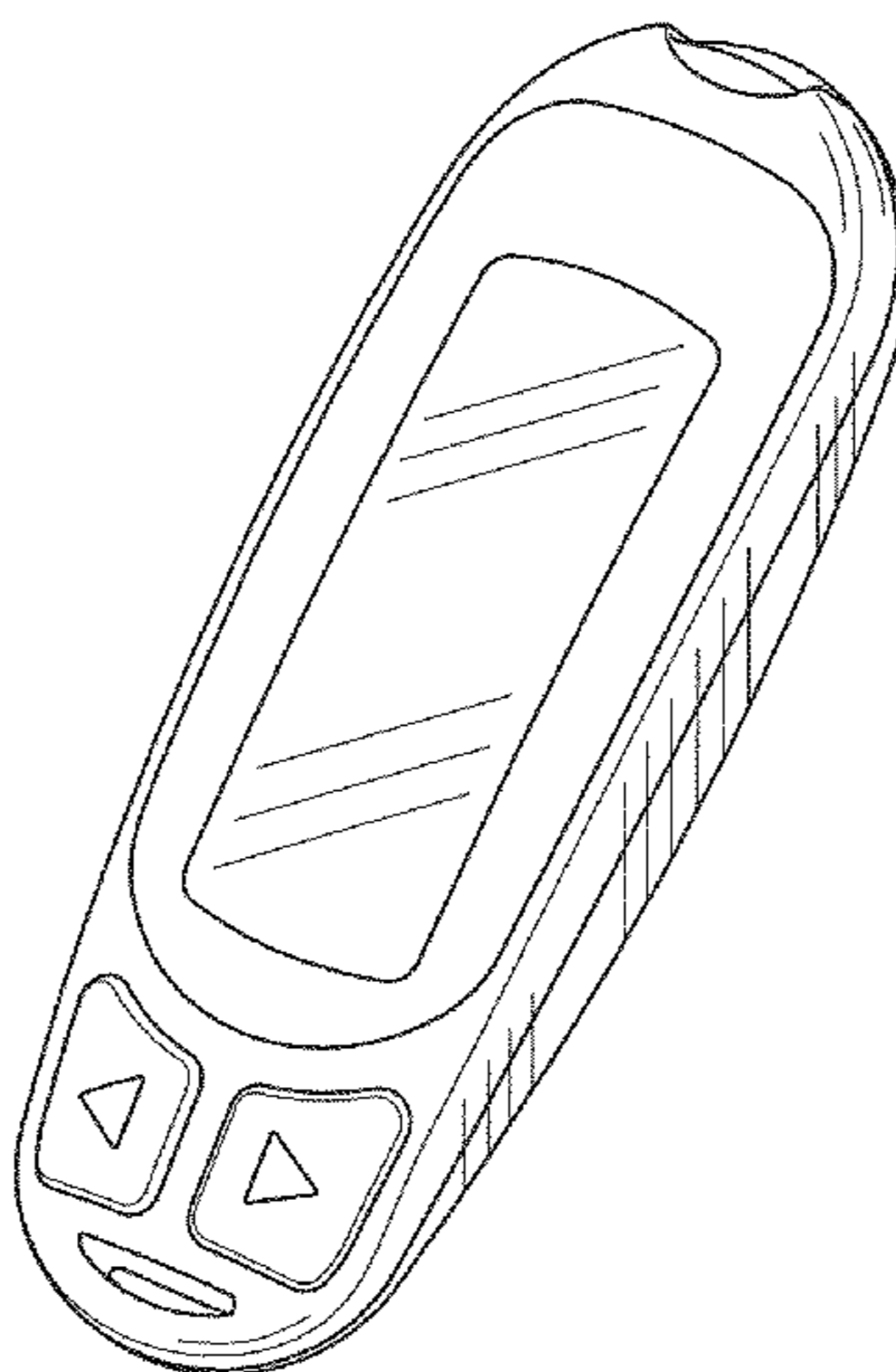


FIG. 1

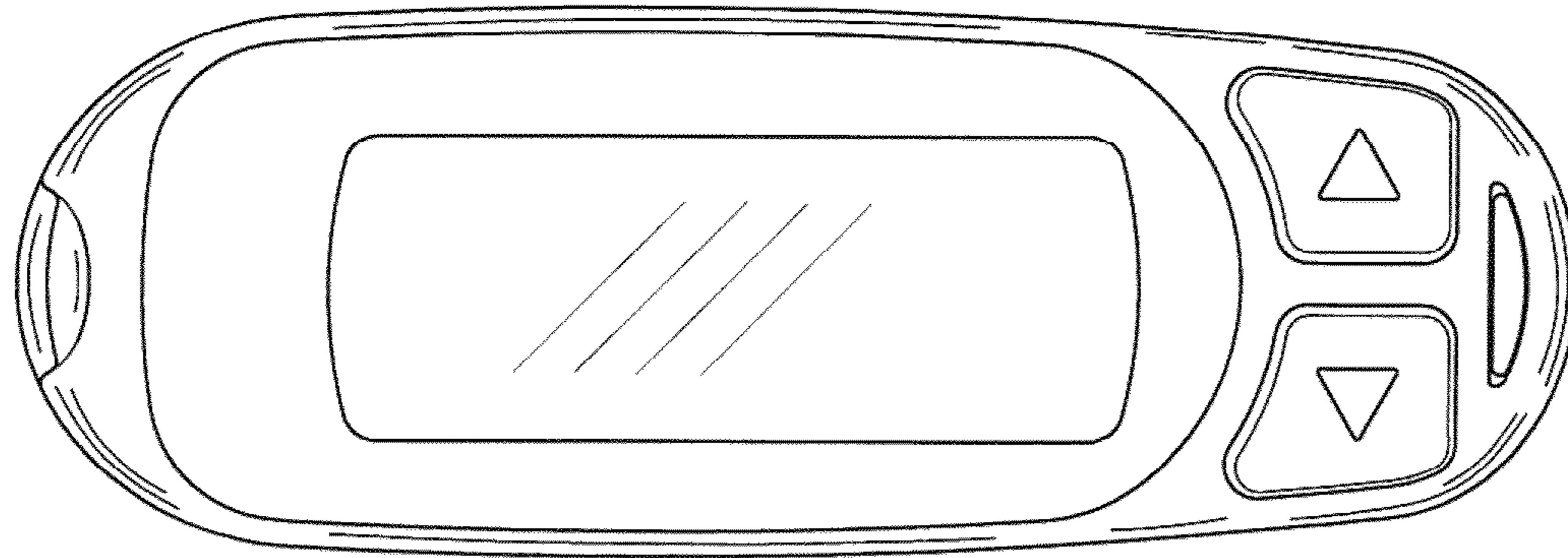


FIG. 2

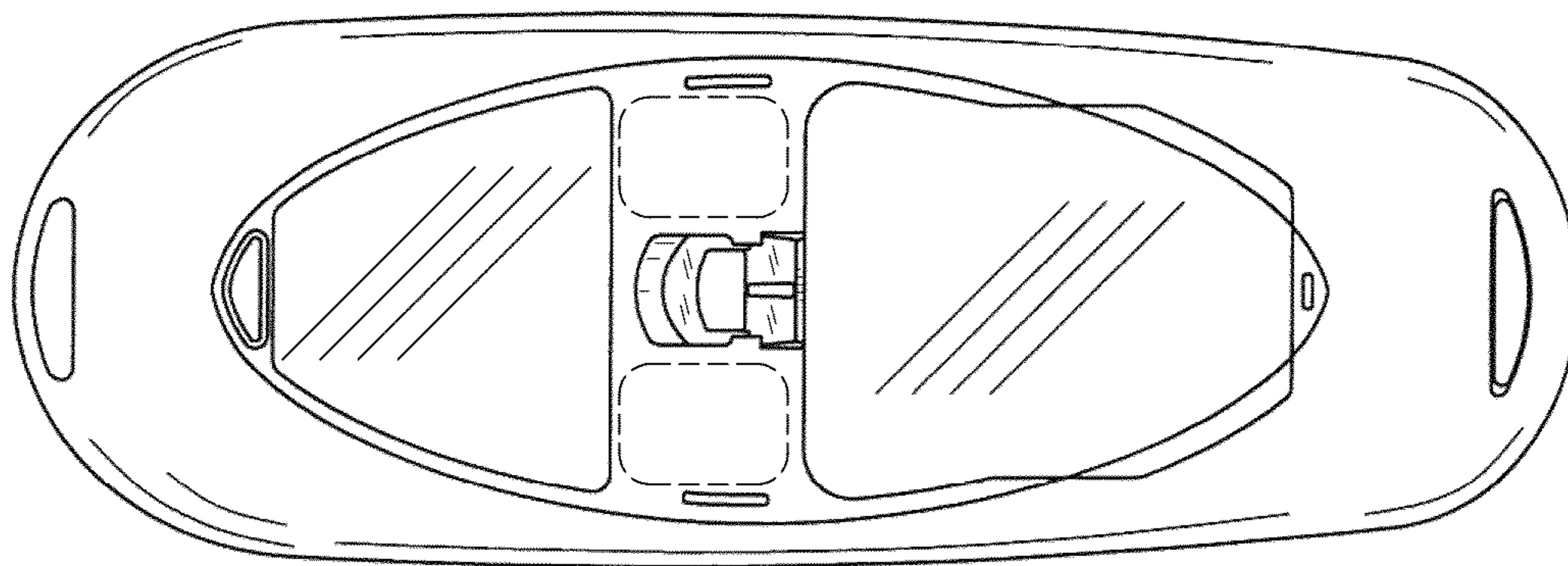


FIG. 3

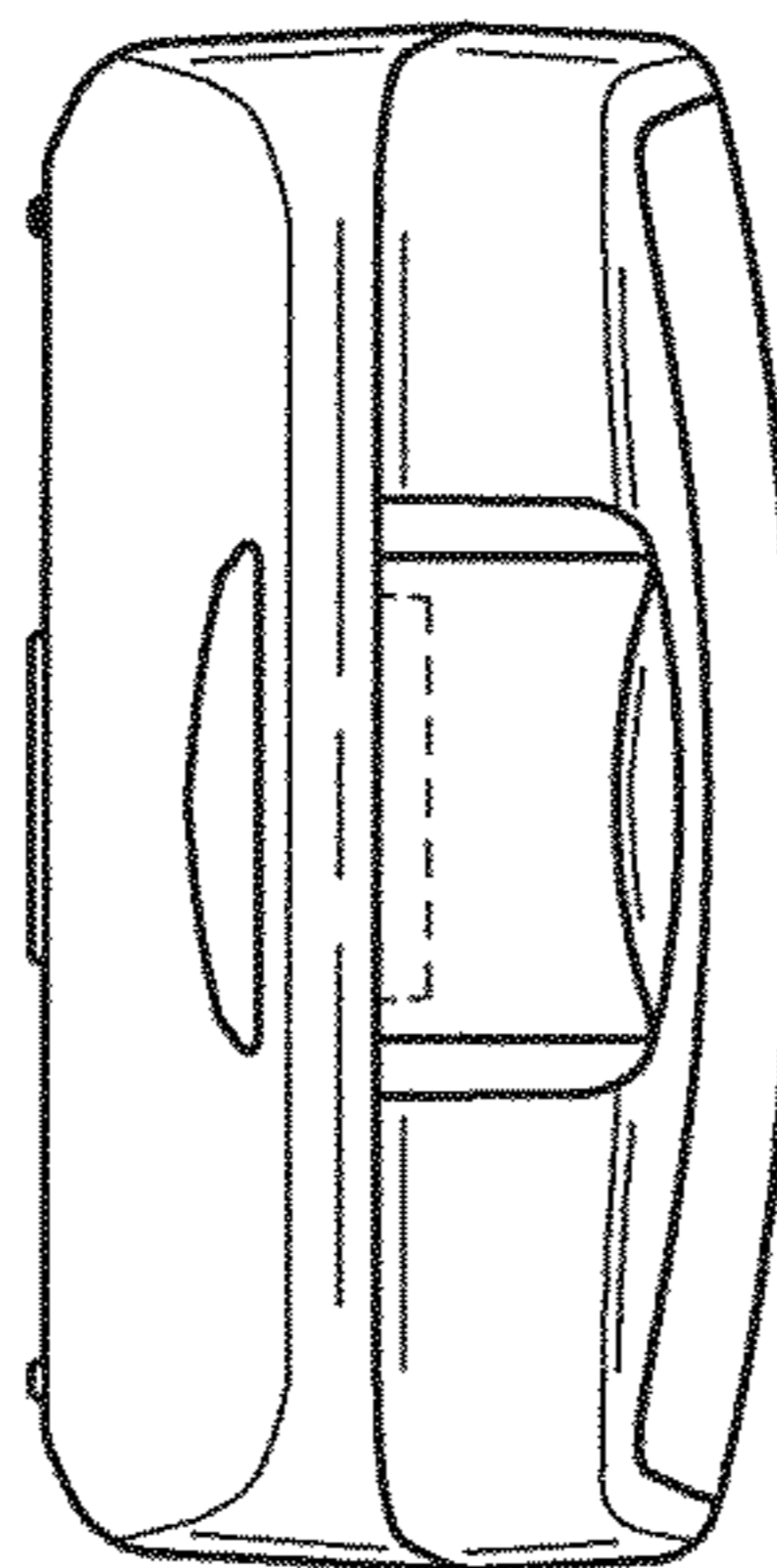


FIG. 4

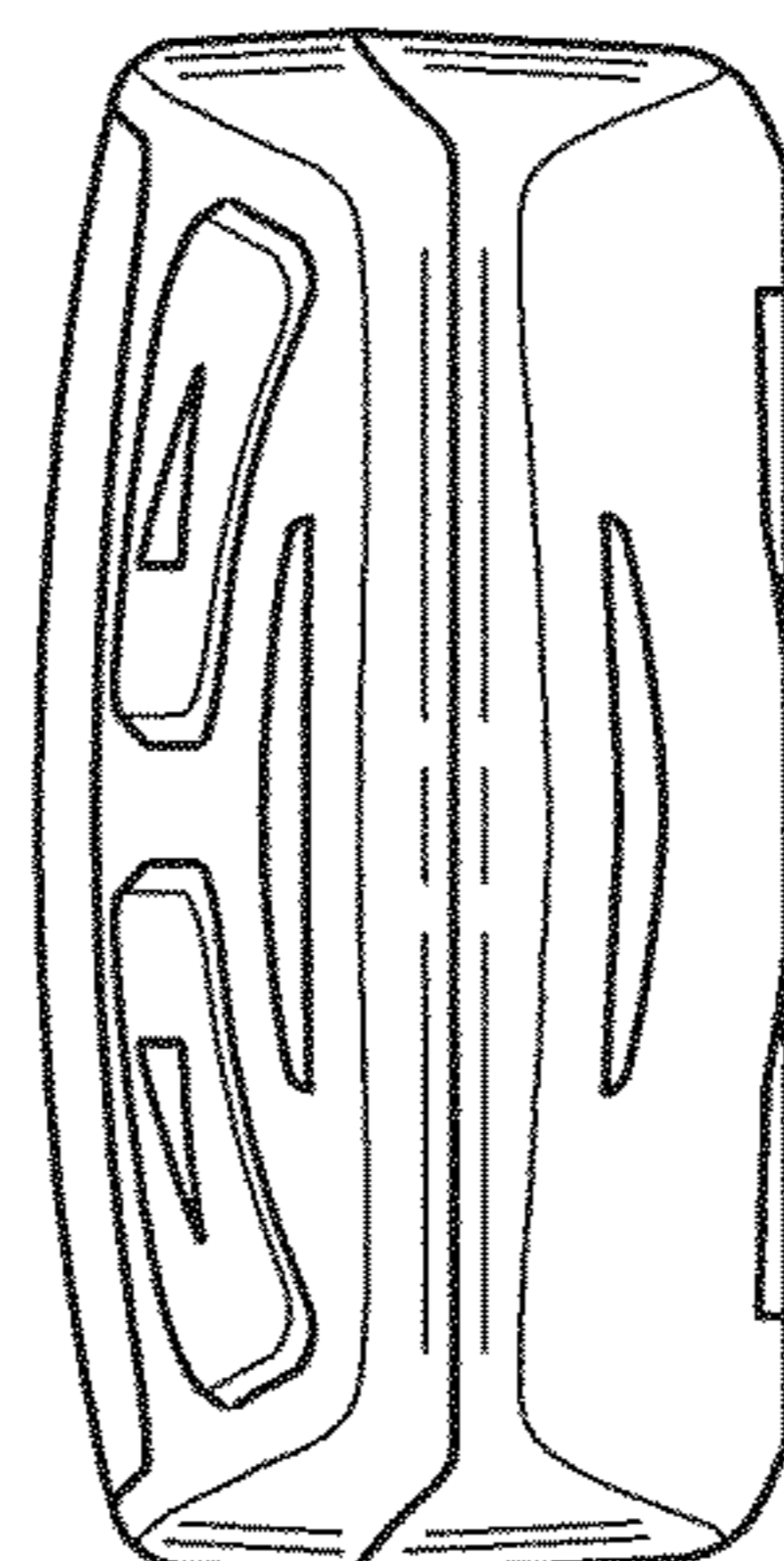


FIG. 5

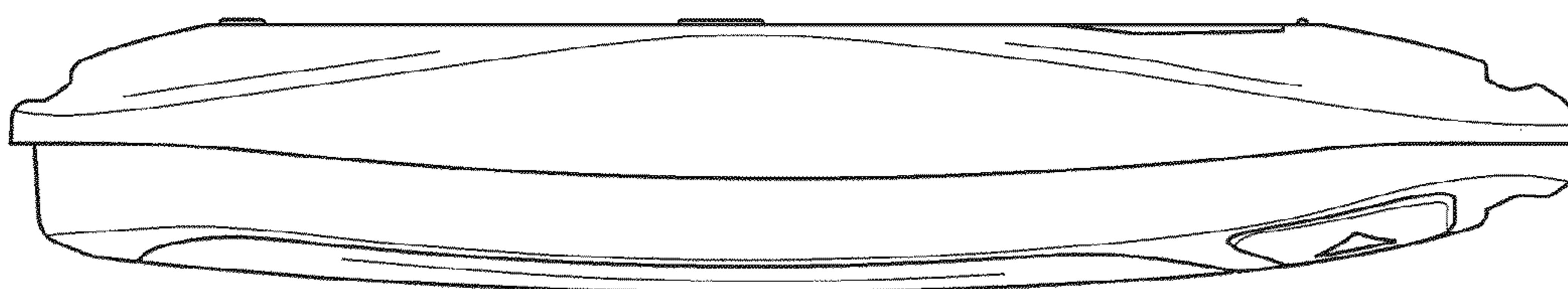


FIG. 6

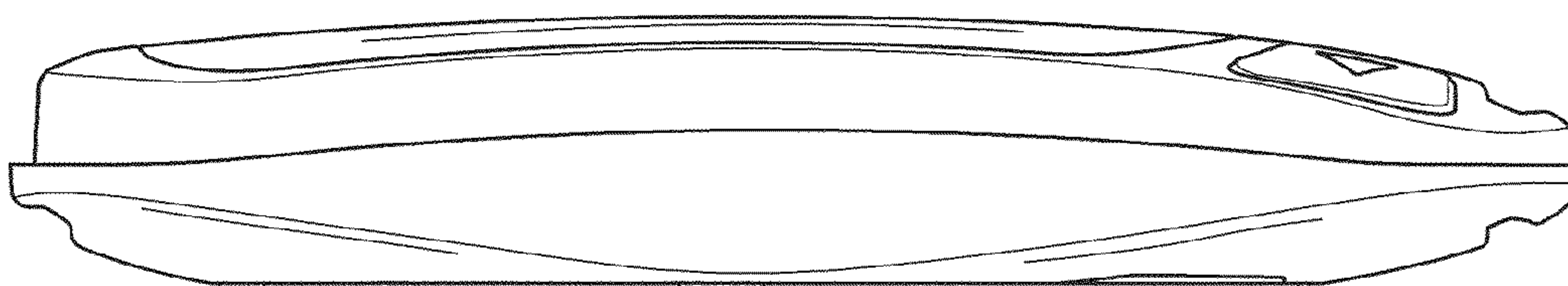


FIG. 7

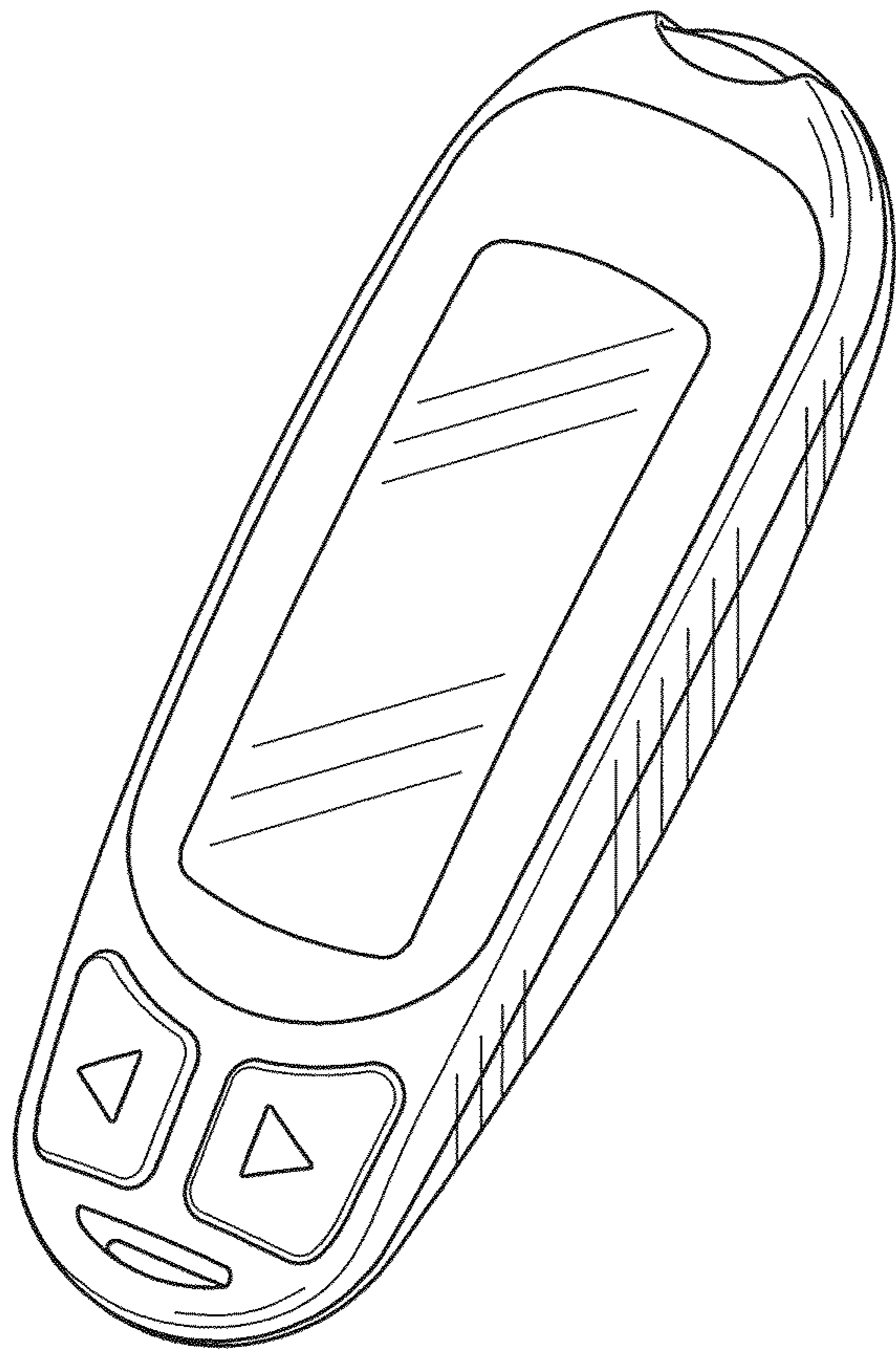


FIG. 8

