



US00D700341S

(12) **United States Design Patent**  
**Uozumi et al.**

(10) **Patent No.:** **US D700,341 S**

(45) **Date of Patent:** **\*\* Feb. 25, 2014**

(54) **SPHYGMOMANOMETER**

(75) Inventors: **Sachiko Uozumi**, New York, NY (US);  
**Arsenio Garcia Monsalve**, Brooklyn,  
NY (US); **Daniel Formosa**, Piermont,  
NY (US)

(73) Assignee: **Omron Healthcare Co., Ltd.**, Kyoto  
(JP)

(\*\*) Term: **14 Years**

(21) Appl. No.: **29/430,170**

(22) Filed: **Aug. 22, 2012**

(51) **LOC (10) Cl.** ..... **24-02**

(52) **U.S. Cl.**  
USPC ..... **D24/165**

(58) **Field of Classification Search**  
USPC ..... D24/164–168, 186, 107; D10/46, 75,  
D10/98; 600/301, 481–483, 485, 490,  
600/493–495, 500, 503, 509; 128/900  
See application file for complete search history.

(56) **References Cited**

**U.S. PATENT DOCUMENTS**

D496,104 S	*	9/2004	Eda et al.	.....	D24/165
D533,279 S	*	12/2006	Kobayashi et al.	.....	D24/165
D548,839 S	*	8/2007	Kobayakawa et al.	.....	D24/165
D583,950 S	*	12/2008	Itonaga et al.	.....	D24/165
D598,551 S	*	8/2009	Miwa et al.	.....	D24/186

\* cited by examiner

*Primary Examiner* — Anhdao Doan

(74) *Attorney, Agent, or Firm* — Capitol City TechLaw

(57) **CLAIM**

The ornamental design for a sphygmomanometer, as shown and described.

**DESCRIPTION**

FIG. 1 is a front, top, and right side perspective view of a first embodiment of a sphygmomanometer showing our new design;

FIG. 2 is a rear, top, and right side perspective view thereof; FIG. 3 is a rear, bottom, and right side perspective view thereof;

FIG. 4 is a rear, bottom, and left side perspective view thereof;

FIG. 5 is a front view thereof;

FIG. 6 is a rear view thereof;

FIG. 7 is a top view thereof;

FIG. 8 is a bottom view thereof;

FIG. 9 is a right side view thereof;

FIG. 10 is a left side view thereof;

FIG. 11 is a front, top, and right side perspective view of a second embodiment of a sphygmomanometer showing our new design;

FIG. 12 is a rear, top, and right side perspective view thereof; FIG. 13 is a rear, bottom, and right side perspective view thereof;

FIG. 14 is a rear, bottom, and left side perspective view thereof;

FIG. 15 is a front view thereof;

FIG. 16 is a rear view thereof;

FIG. 17 is a top view thereof;

FIG. 18 is a bottom view thereof;

FIG. 19 is a right side view thereof; and,

FIG. 20 is a left side view thereof.

**1 Claim, 20 Drawing Sheets**





Fig. 1





Fig.2





Fig.3





Fig.4





Fig.5





Fig.6





Fig.7





Fig.8





Fig.9

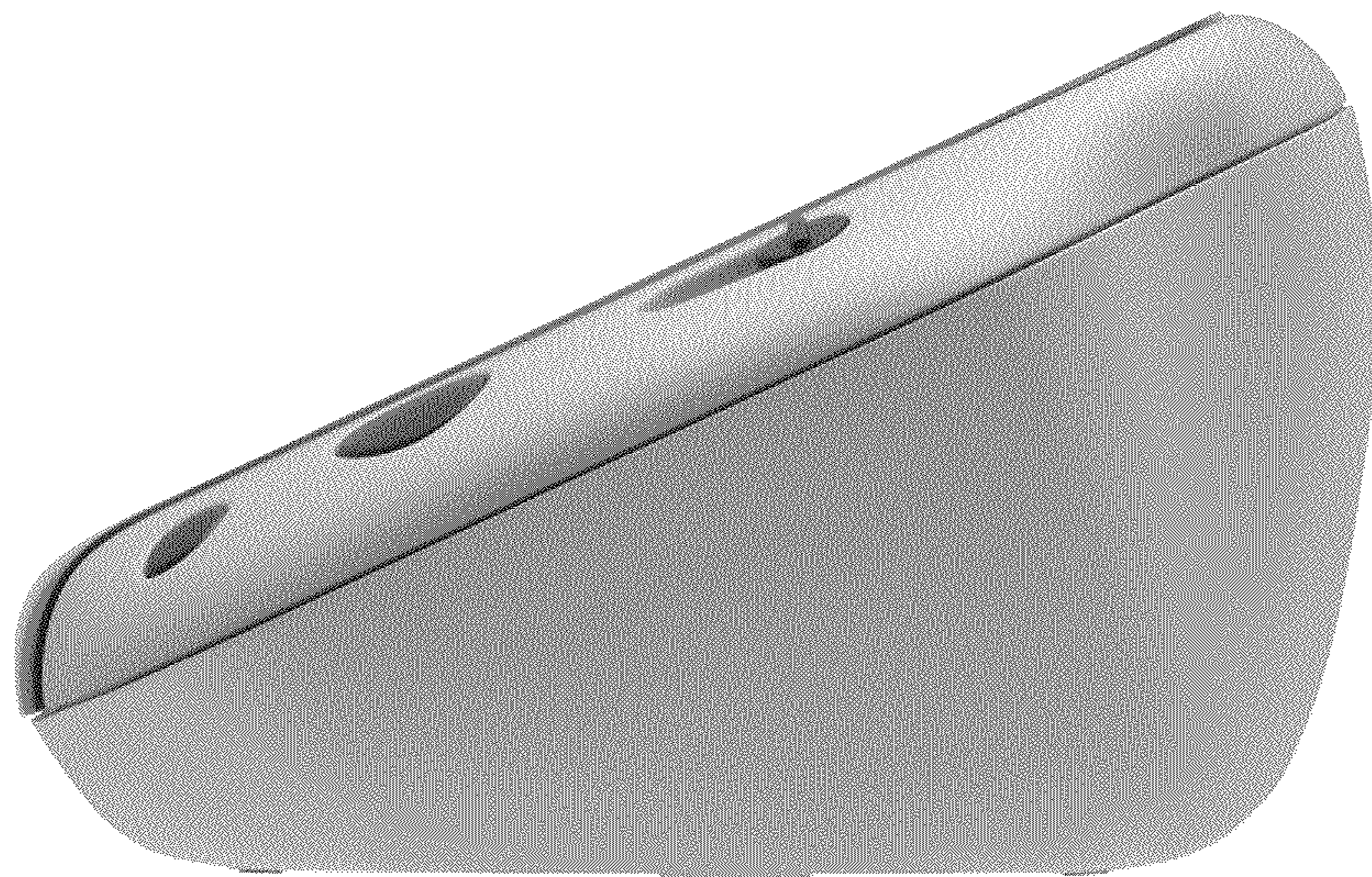




Fig.10

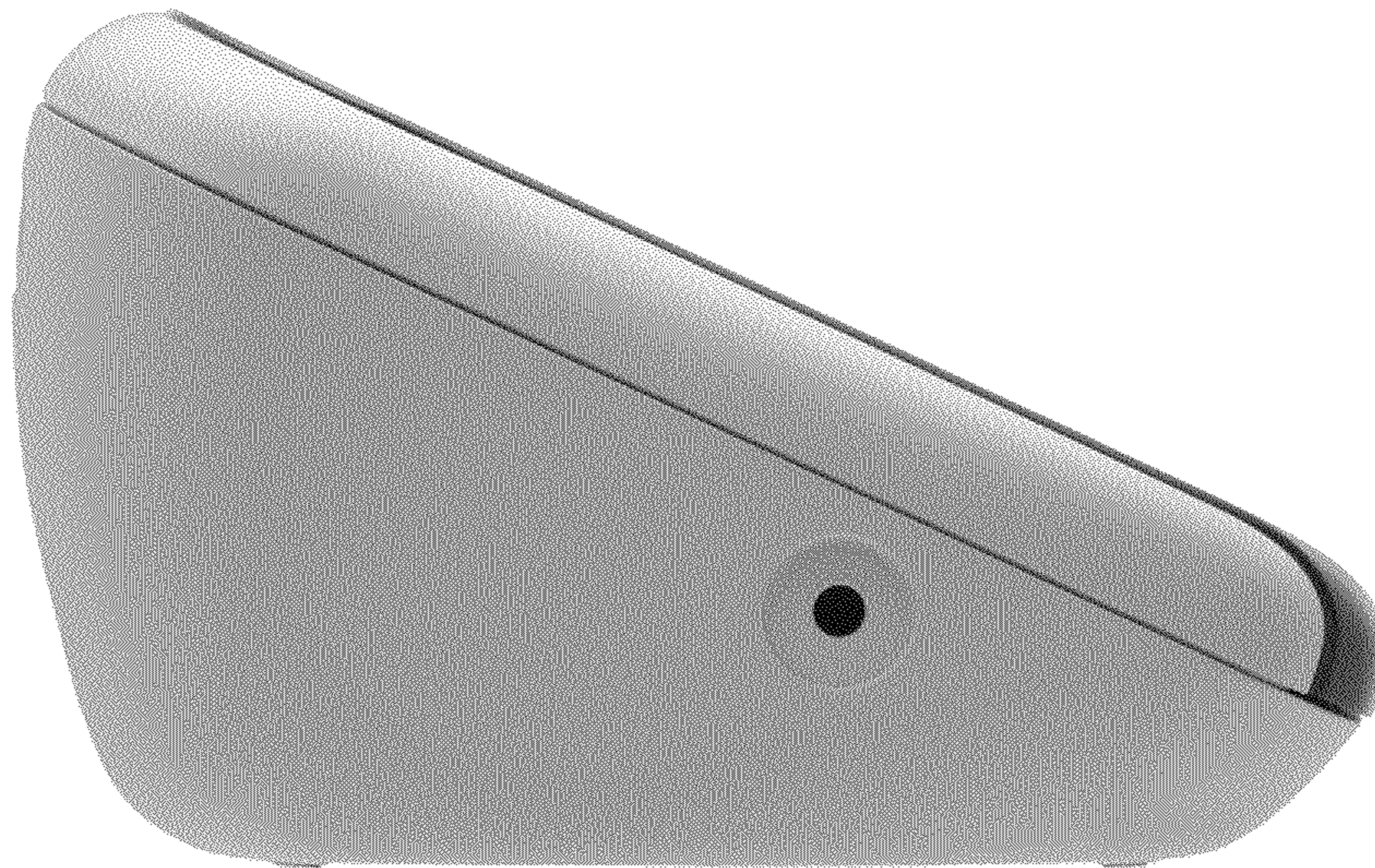




Fig. 11





Fig.12





Fig.13





Fig. 14





Fig.15





Fig.16





Fig. 17





Fig. 18





Fig. 19

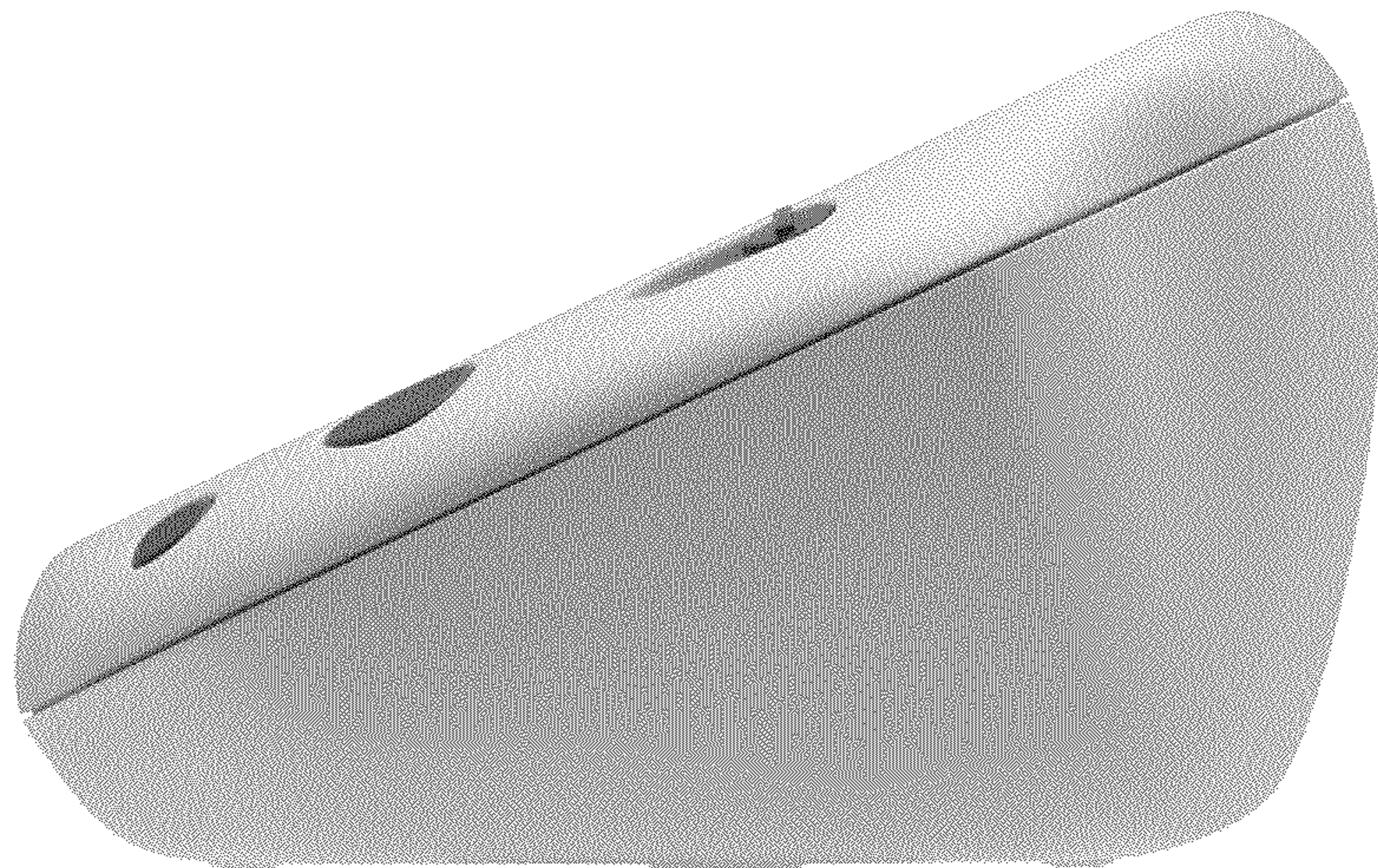




Fig.20

