



US00D700340S

(12) **United States Design Patent**
Tan et al.

(10) **Patent No.:** **US D700,340 S**
(45) **Date of Patent:** **** Feb. 25, 2014**

(54) **COMPUTED TOMOGRAPHY SCANNER**

(56) **References Cited**

(71) Applicant: **Koninklijke Philips N.V.**, Eindhoven (NL)
(72) Inventors: **Alex Wee Kar Tan**, Medford, MA (US); **Tom Philippe Jean Jacques Delaey**, Mol (BE); **Eckhardt Henricus Matheus Schraven**, Rosmalen (NL); **Sven S. Weichert**, Eindhoven (NL); **Theodorus Martinus Maria van het Hof**, Sint Oedenrode (NL)

U.S. PATENT DOCUMENTS

D417,734 S	*	12/1999	Benders	D24/158
D557,418 S	*	12/2007	Onuma et al.	D24/158
D566,843 S	*	4/2008	Ogiwara	D24/158
D628,294 S	*	11/2010	Baba	D24/158
D639,950 S	*	6/2011	Ramos	D24/158
D649,250 S	*	11/2011	Ishihara et al.	D24/158

* cited by examiner

Primary Examiner — Anhdao Doan

(73) Assignee: **Koninklijke Philips N.V.**, Eindhoven (NL)

(**) Term: **14 Years**

(21) Appl. No.: **29/455,572**

(22) Filed: **May 22, 2013**

(30) **Foreign Application Priority Data**

Nov. 22, 2012 (EM) 002140863-0002

(51) **LOC (10) Cl.** **24-01**

(52) **U.S. Cl.**
USPC **D24/158**

(58) **Field of Classification Search**
USPC D24/158-161, 185, 186; 378/4, 15, 17, 378/20, 21, 23-27, 62, 68, 146, 195-198, 378/57; 600/410, 421, 422

See application file for complete search history.

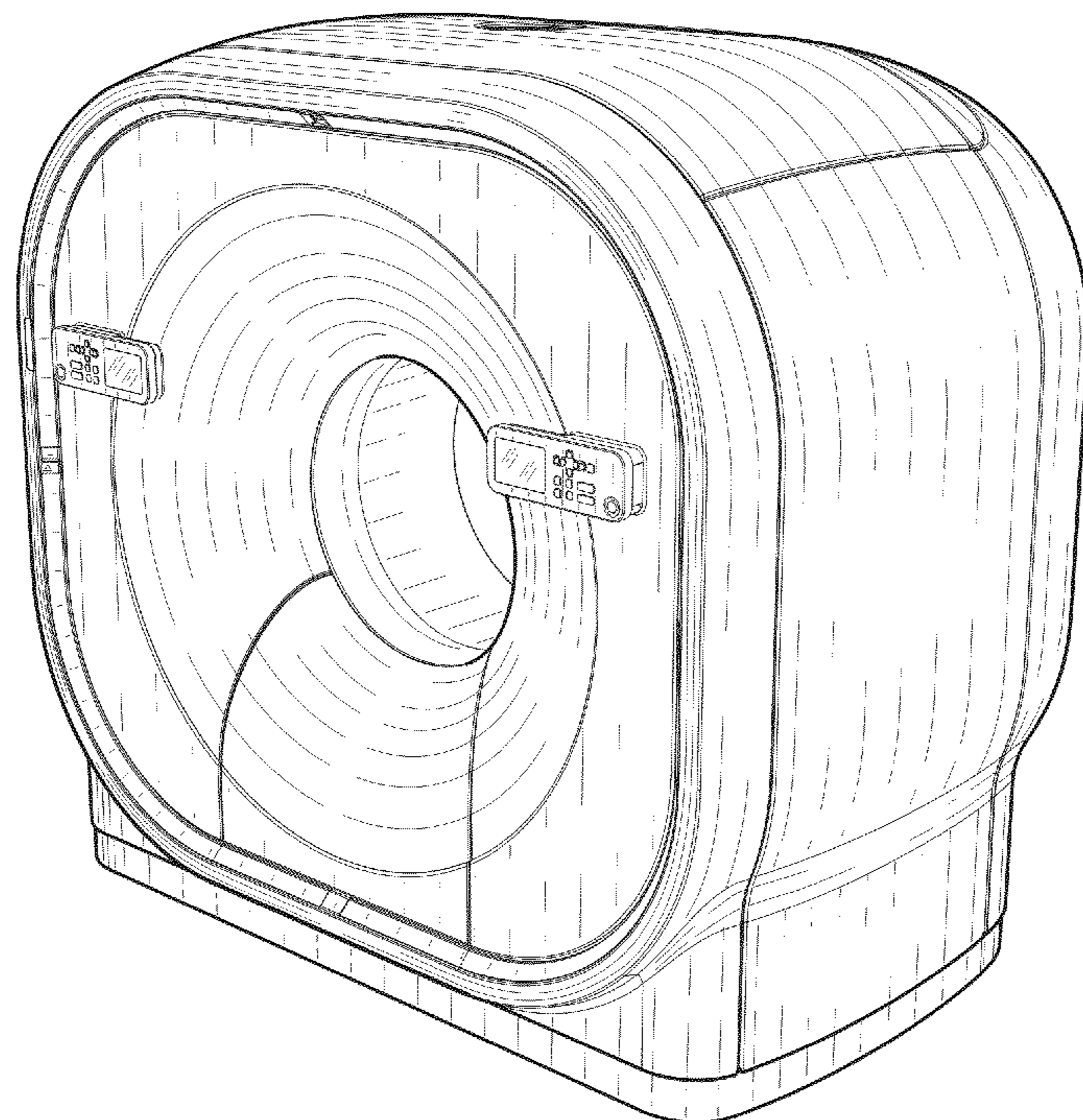
(57) **CLAIM**

The ornamental design for a computed tomography scanner, as shown and described.

DESCRIPTION

FIG. 1 is a perspective view showing my design; FIG. 2 is a front elevational view thereof; FIG. 3 is a rear elevational view thereof; FIG. 4 is a right side elevational view thereof; FIG. 5 is a left side elevational view thereof; FIG. 6 is a top plan view thereof; and, FIG. 7 is a bottom plan view thereof. The broken lines in FIG. 7 represent the boundary of the claim and form no part of the claimed design.

1 Claim, 7 Drawing Sheets



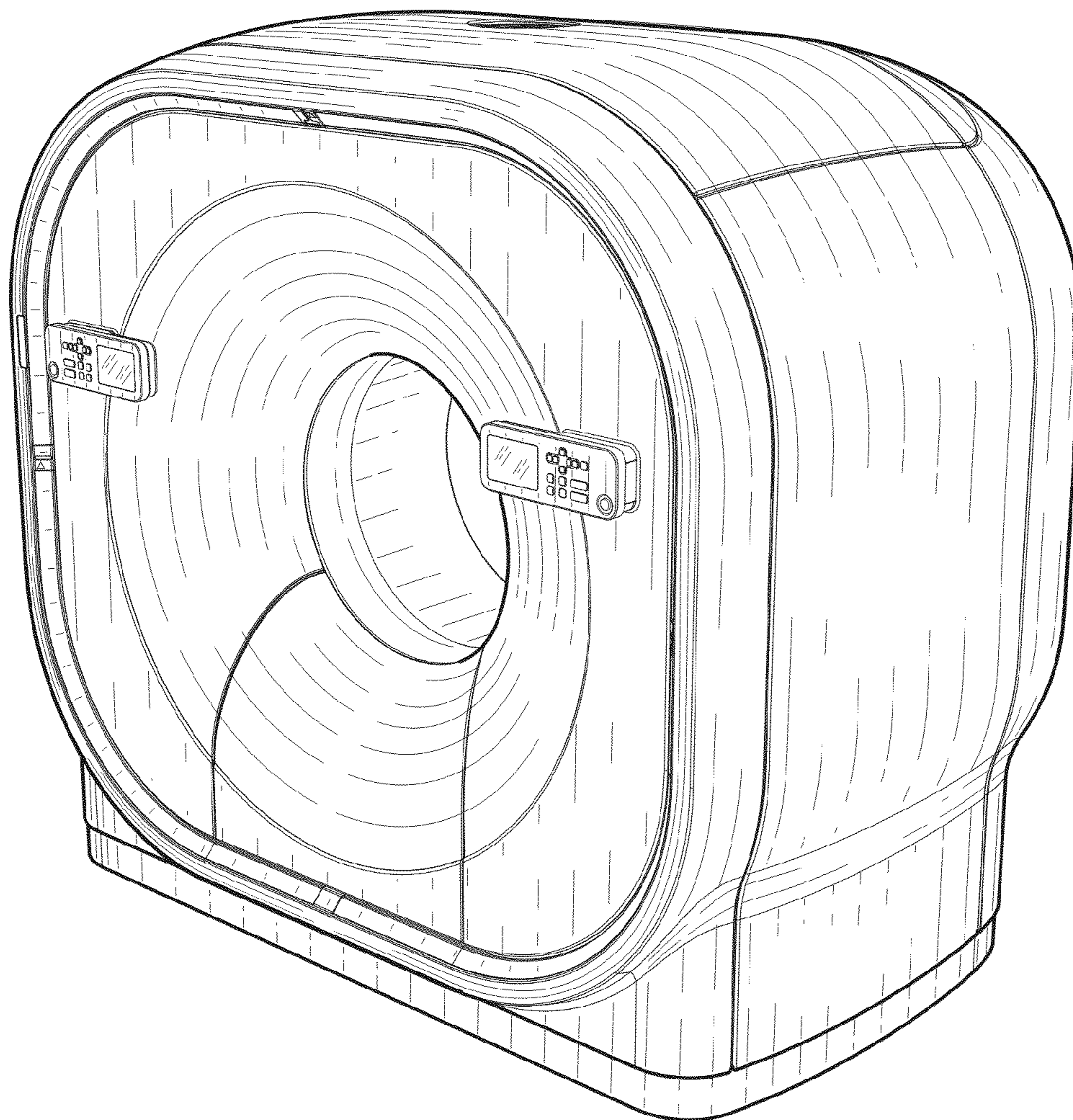


FIG. 1

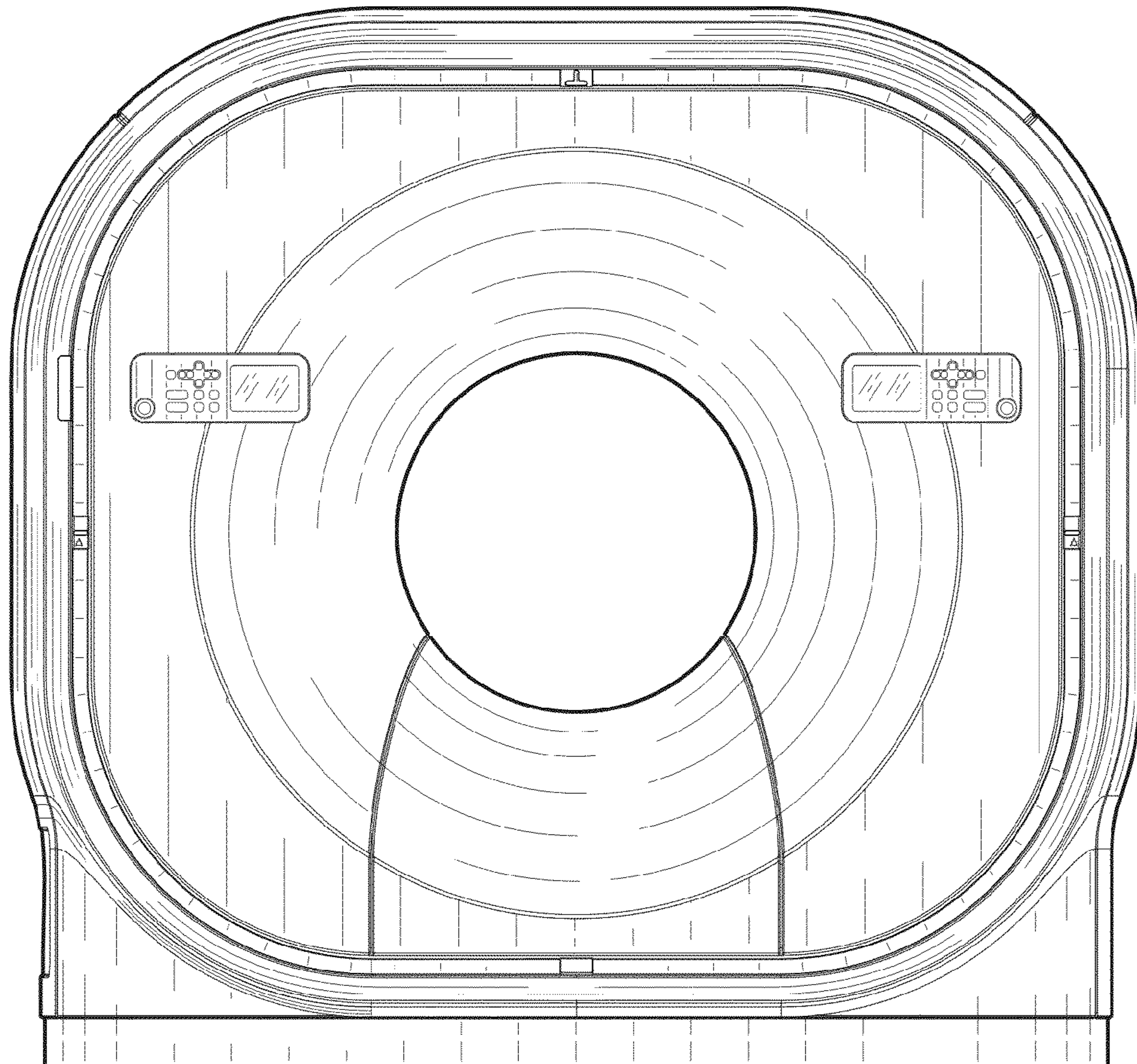


FIG. 2

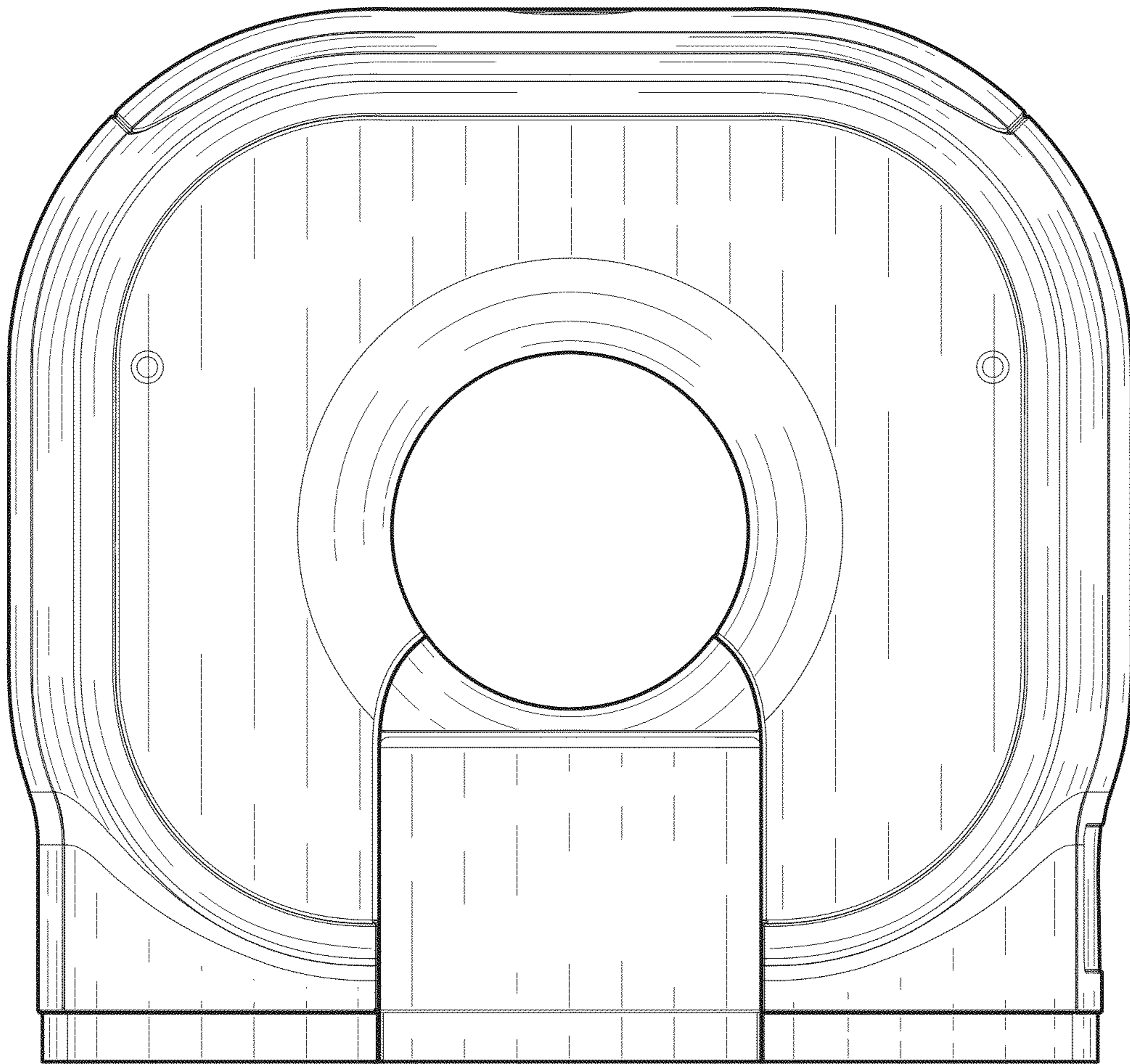


FIG. 3

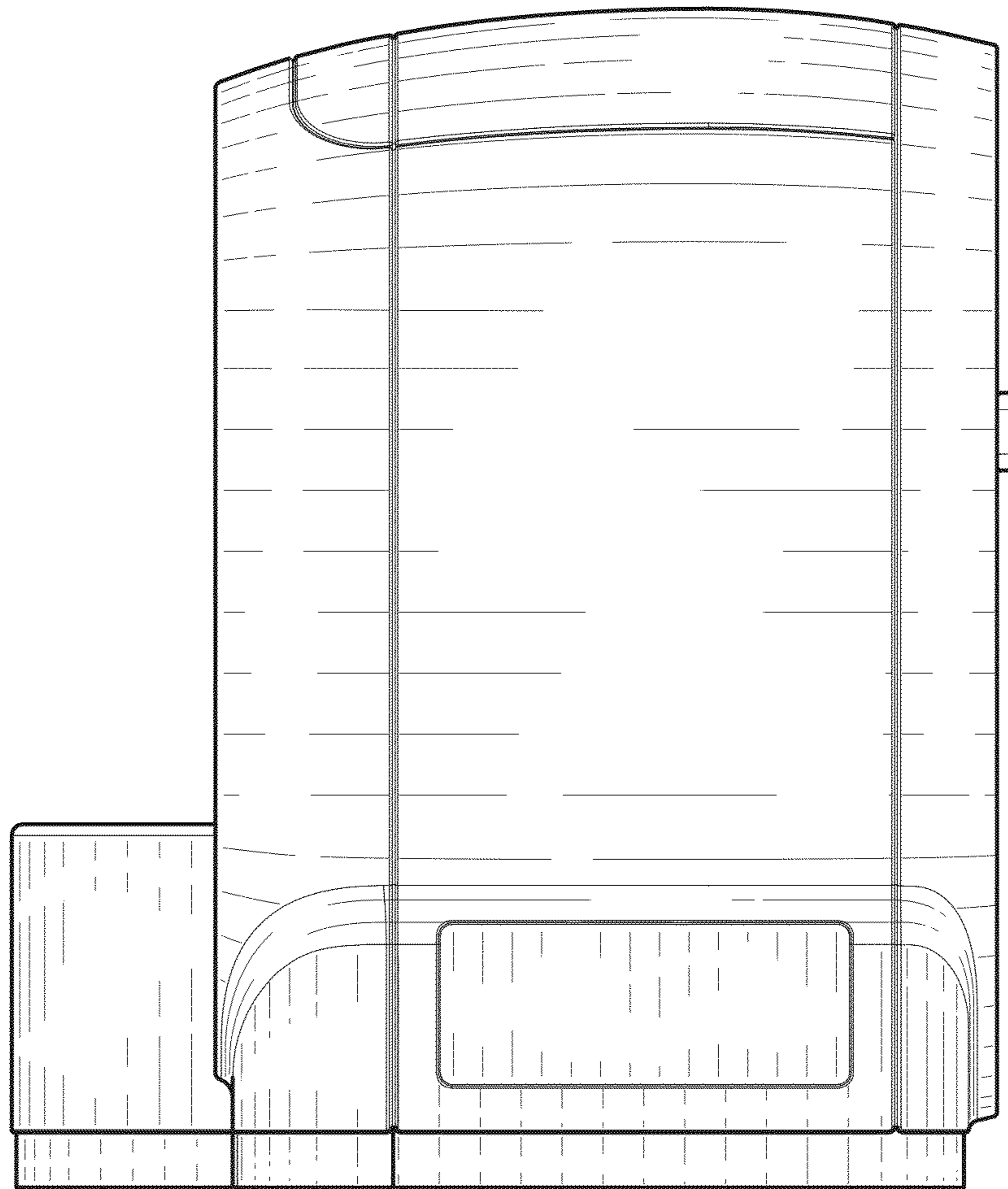


FIG. 4

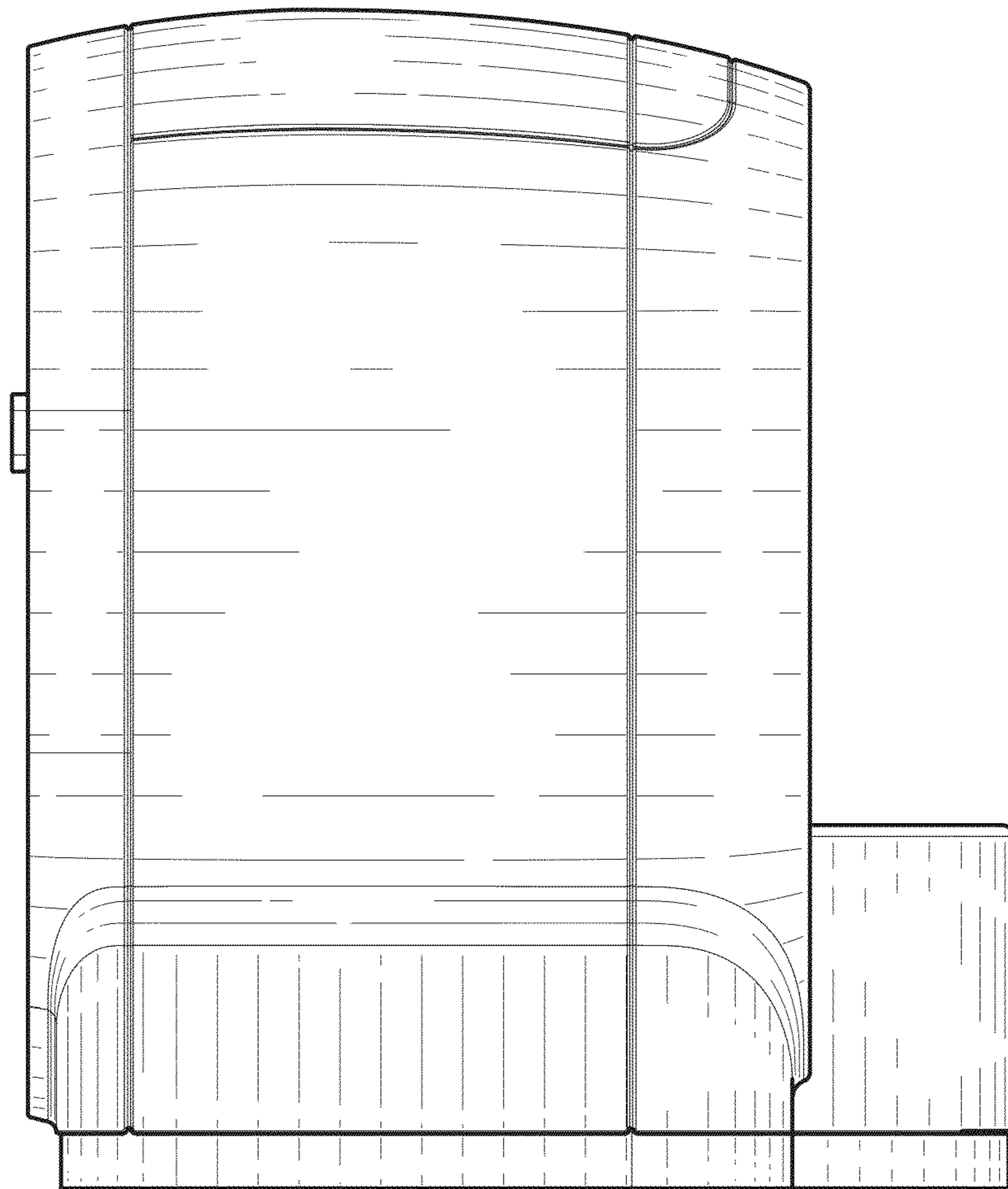


FIG. 5

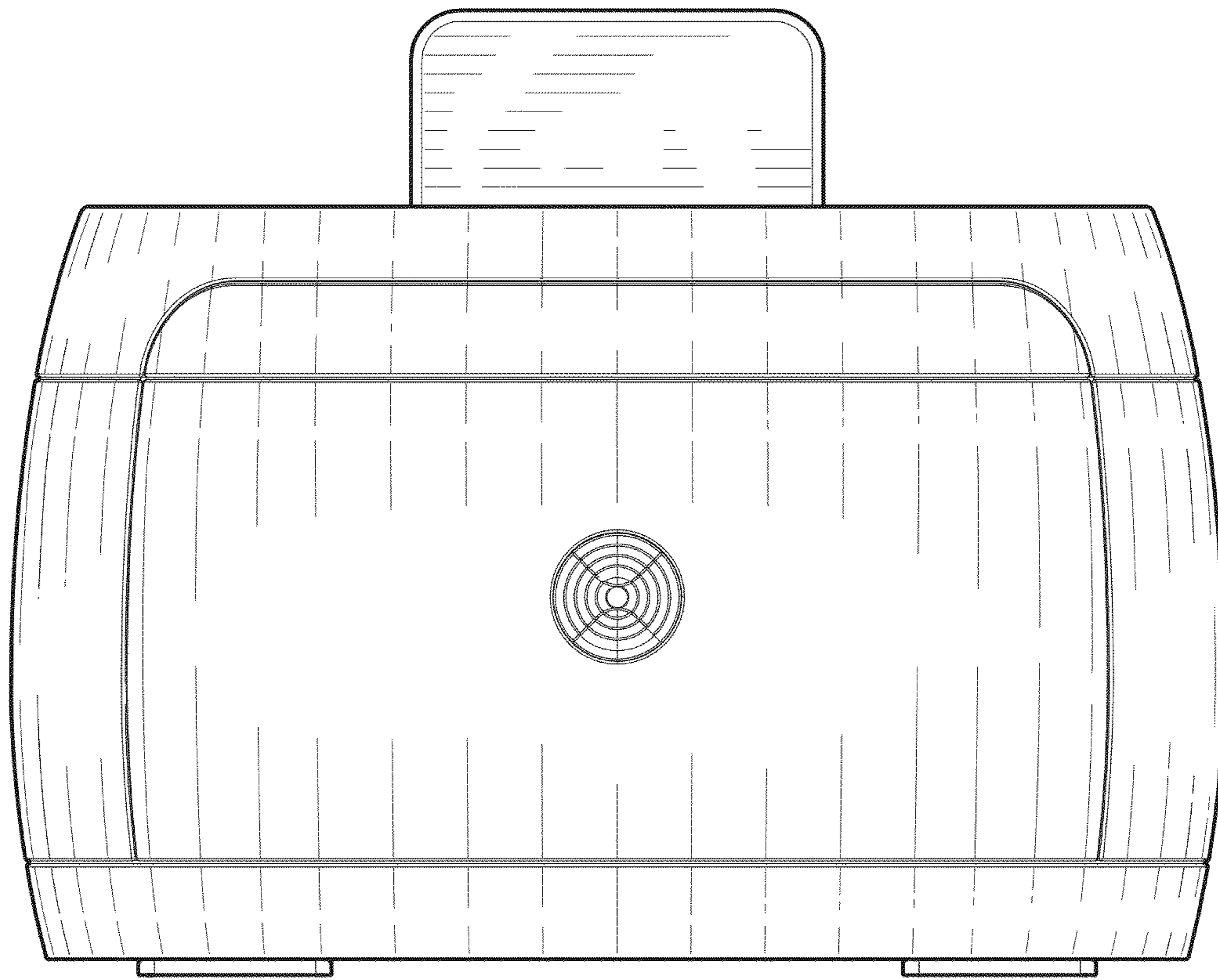


FIG. 6

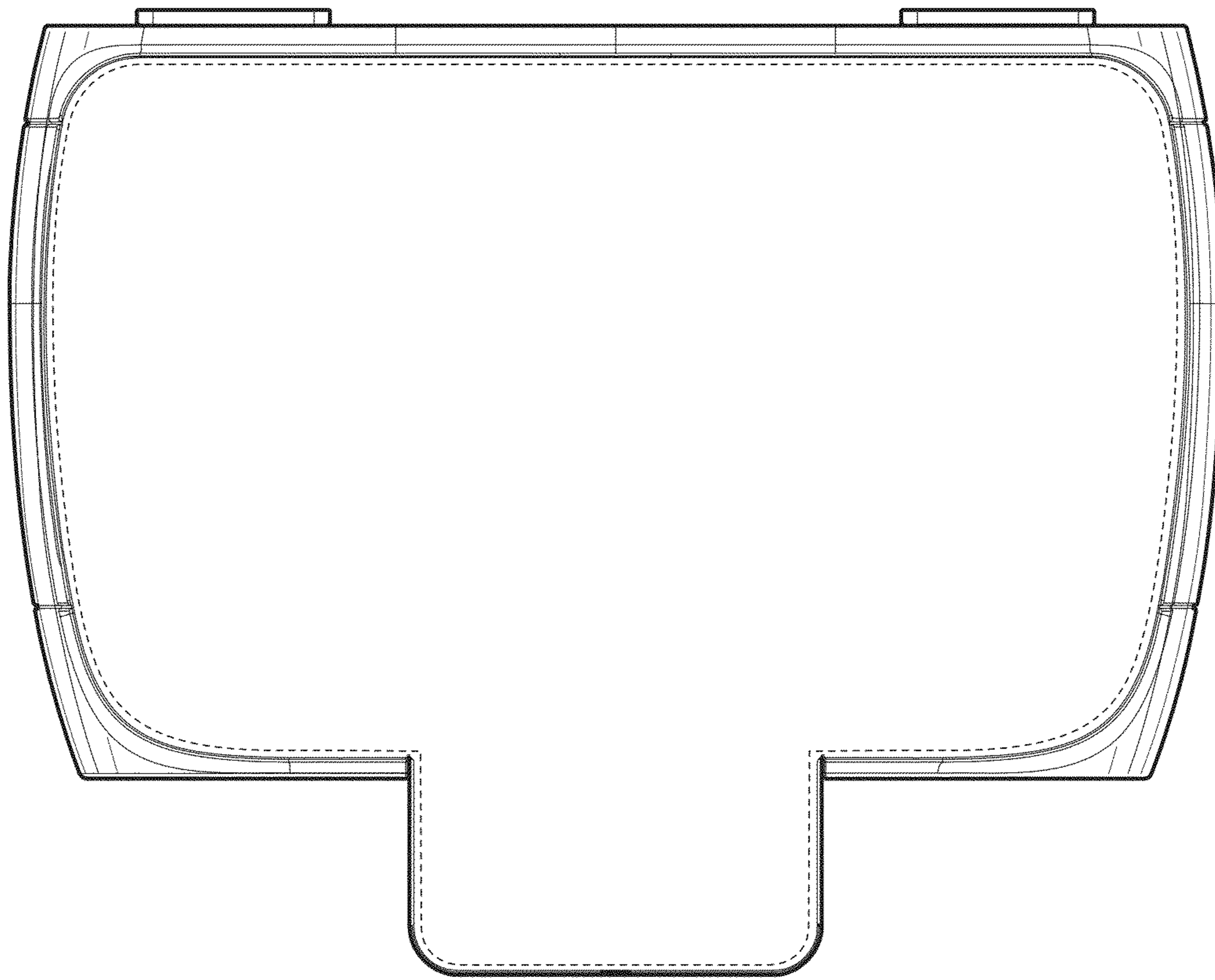


FIG. 7