



US00D700339S

(12) **United States Design Patent**  
**Tan**

(10) **Patent No.:** **US D700,339 S**

(45) **Date of Patent:** **\*\* Feb. 25, 2014**

(54) **COMPUTED TOMOGRAPHY SCANNER**

(56)

**References Cited**

(71) Applicant: **Koninklijke Philips N.V.**, Eindhoven (NL)

U.S. PATENT DOCUMENTS

(72) Inventor: **Alex Wee Kar Tan**, Medford, MA (US)

D417,734 S	*	12/1999	Benders	.....	D24/158
D557,418 S	*	12/2007	Onuma et al.	.....	D24/158
D566,843 S	*	4/2008	Ogiwara	.....	D24/158
D628,294 S	*	11/2010	Baba	.....	D24/158
D639,950 S	*	6/2011	Ramos	.....	D24/158
D649,250 S	*	11/2011	Ishihara et al.	.....	D24/158

(73) Assignee: **Koninklijke Philips N.V.**, Eindhoven (NL)

(\*\*) Term: **14 Years**

\* cited by examiner

*Primary Examiner* — Anhdao Doan

(21) Appl. No.: **29/455,571**

(57)

**CLAIM**

The ornamental design for a computed tomography scanner, as shown and described.

(22) Filed: **May 22, 2013**

**DESCRIPTION**

(30) **Foreign Application Priority Data**

Nov. 22, 2012 (EM) ..... 002140863-0001

FIG. 1 is a perspective view showing my design;

FIG. 2 is a front elevational view thereof;

FIG. 3 is a rear elevational view thereof;

FIG. 4 is a right side elevational view thereof;

FIG. 5 is a left side elevational view thereof;

FIG. 6 is a top plan view thereof; and,

FIG. 7 is a bottom plan view thereof.

(51) **LOC (10) Cl.** ..... **24-01**

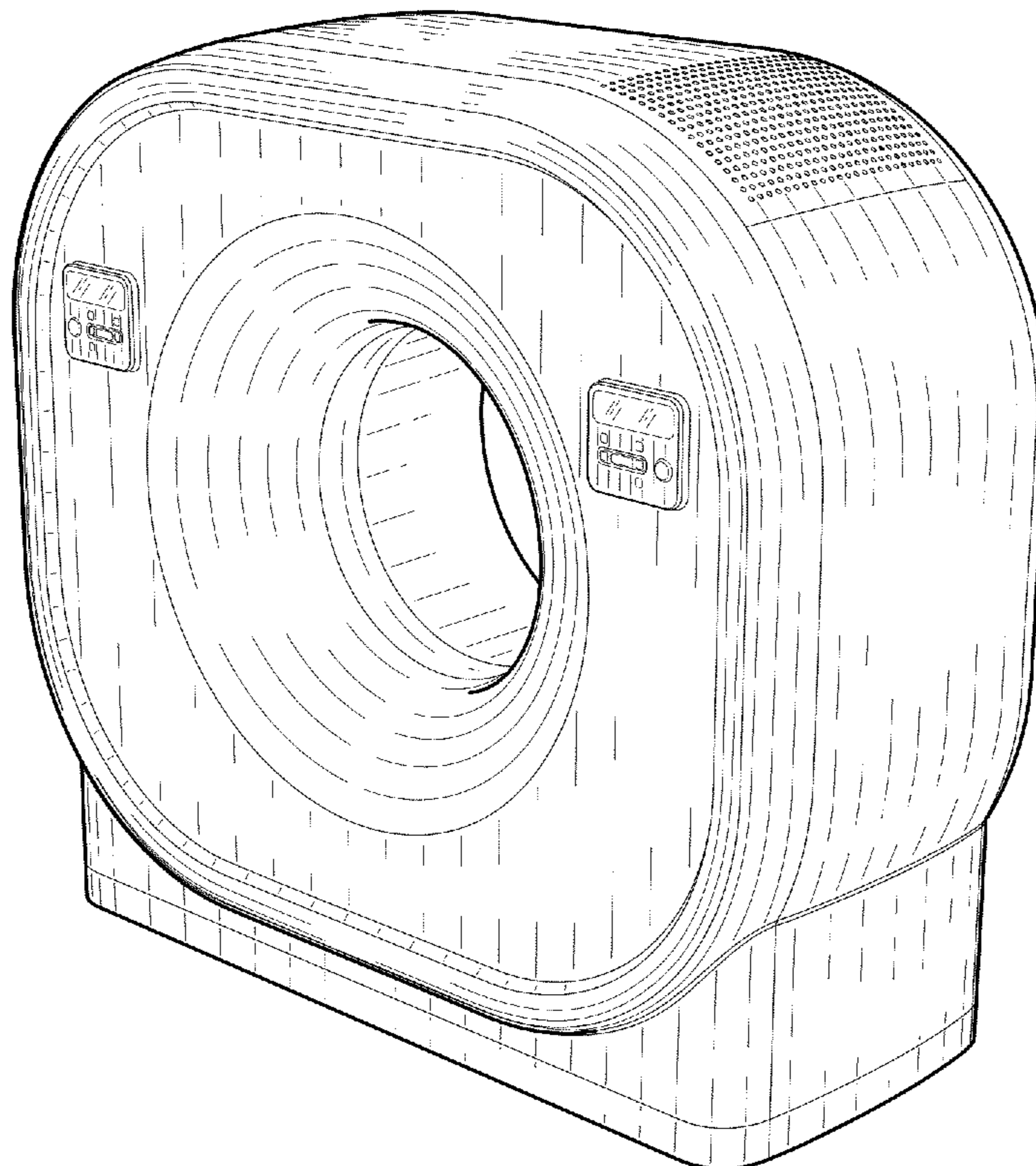
(52) **U.S. Cl.**  
USPC ..... **D24/158**

(58) **Field of Classification Search**  
USPC ..... D24/158-161, 185, 186; 378/4, 15, 17,  
378/20, 21, 23-27, 62, 68, 146, 195-198,  
378/57; 600/410, 421, 422

In FIG. 7, the broken lines immediately adjacent the shaded areas represent the bounds of the claim, and all other broken lines represent unclaimed portions of the computed tomography scanner. None of the broken lines form a part of the claimed design.

See application file for complete search history.

**1 Claim, 5 Drawing Sheets**



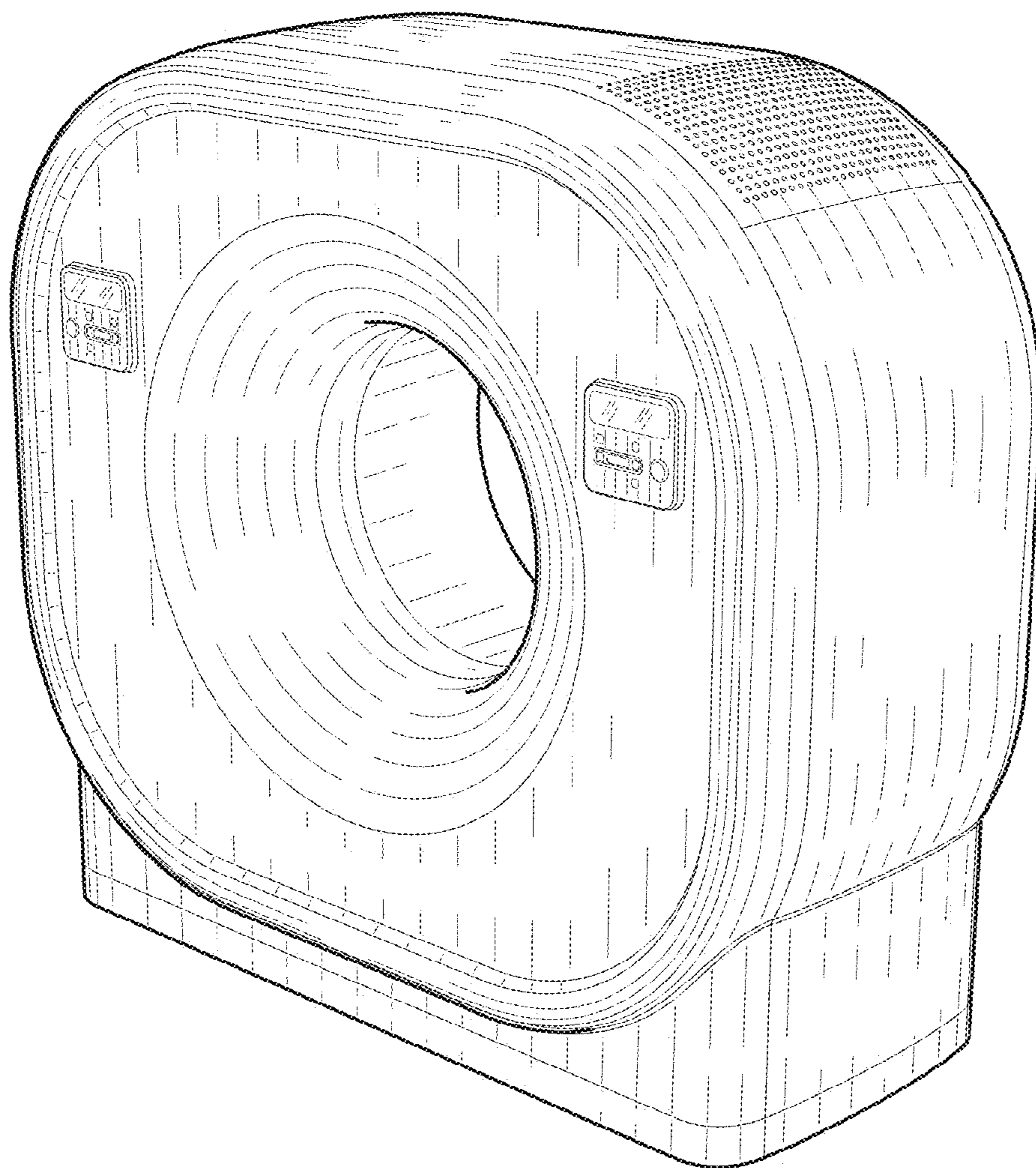


FIG. 1

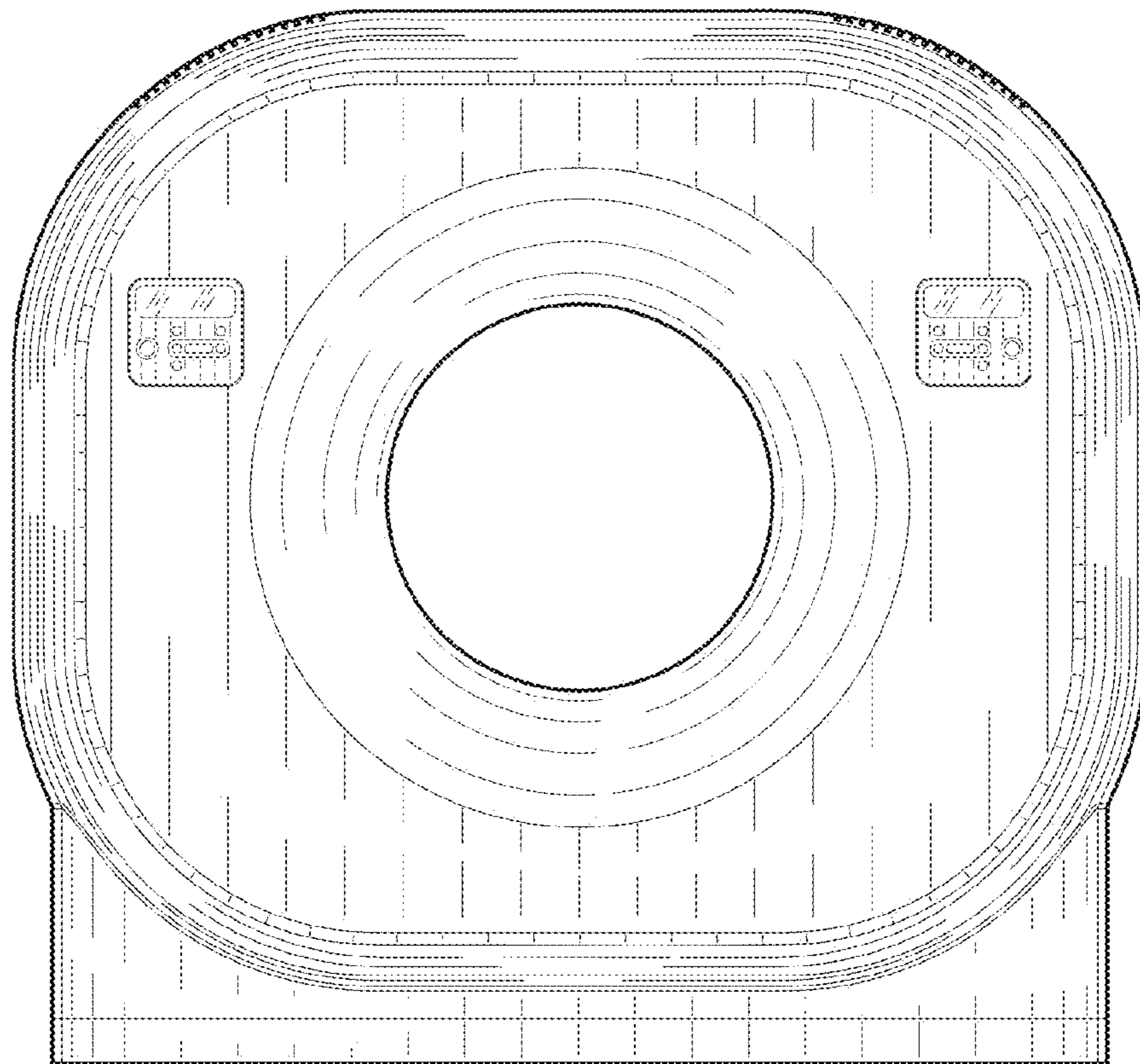


FIG. 2



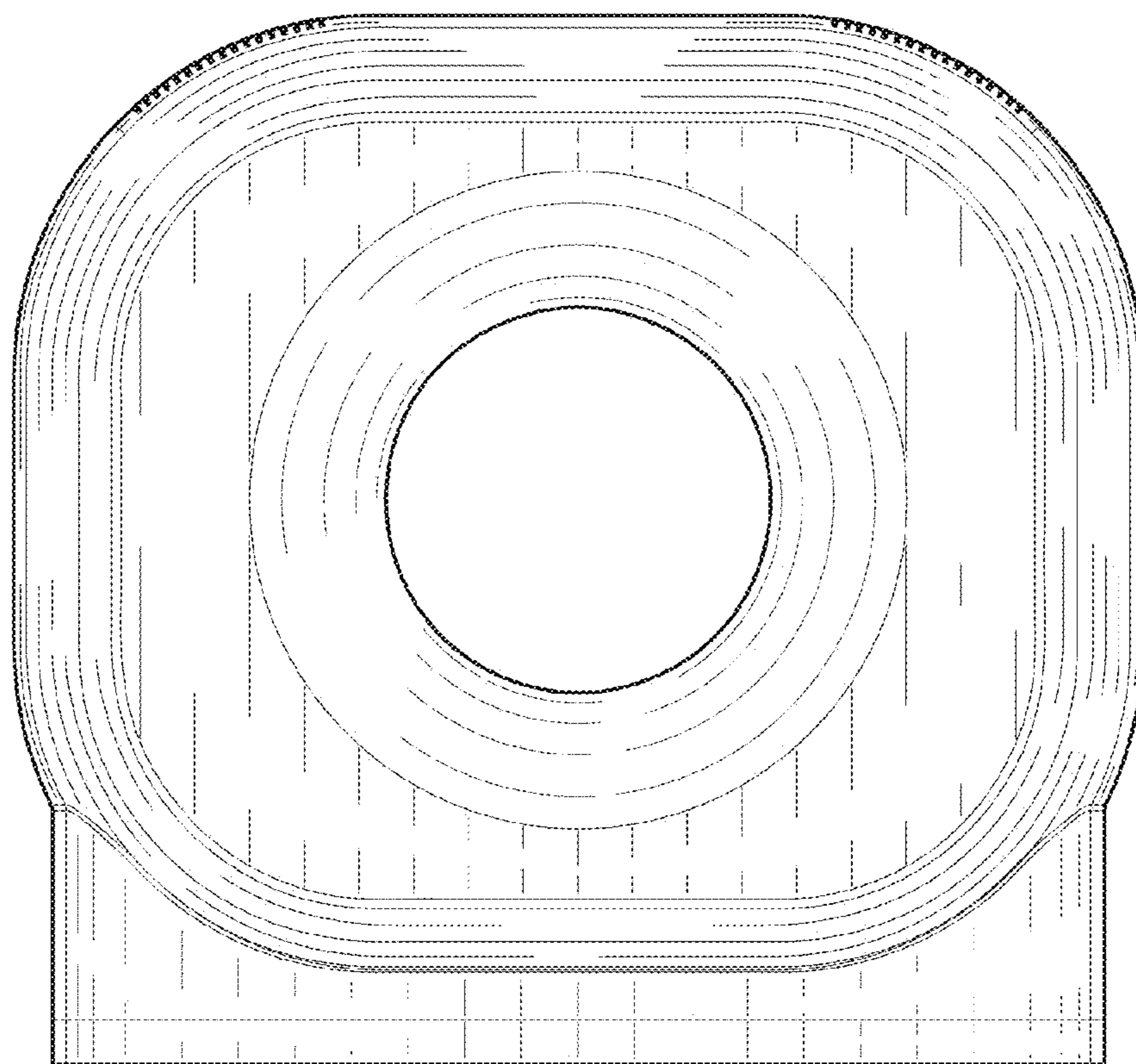


FIG. 3

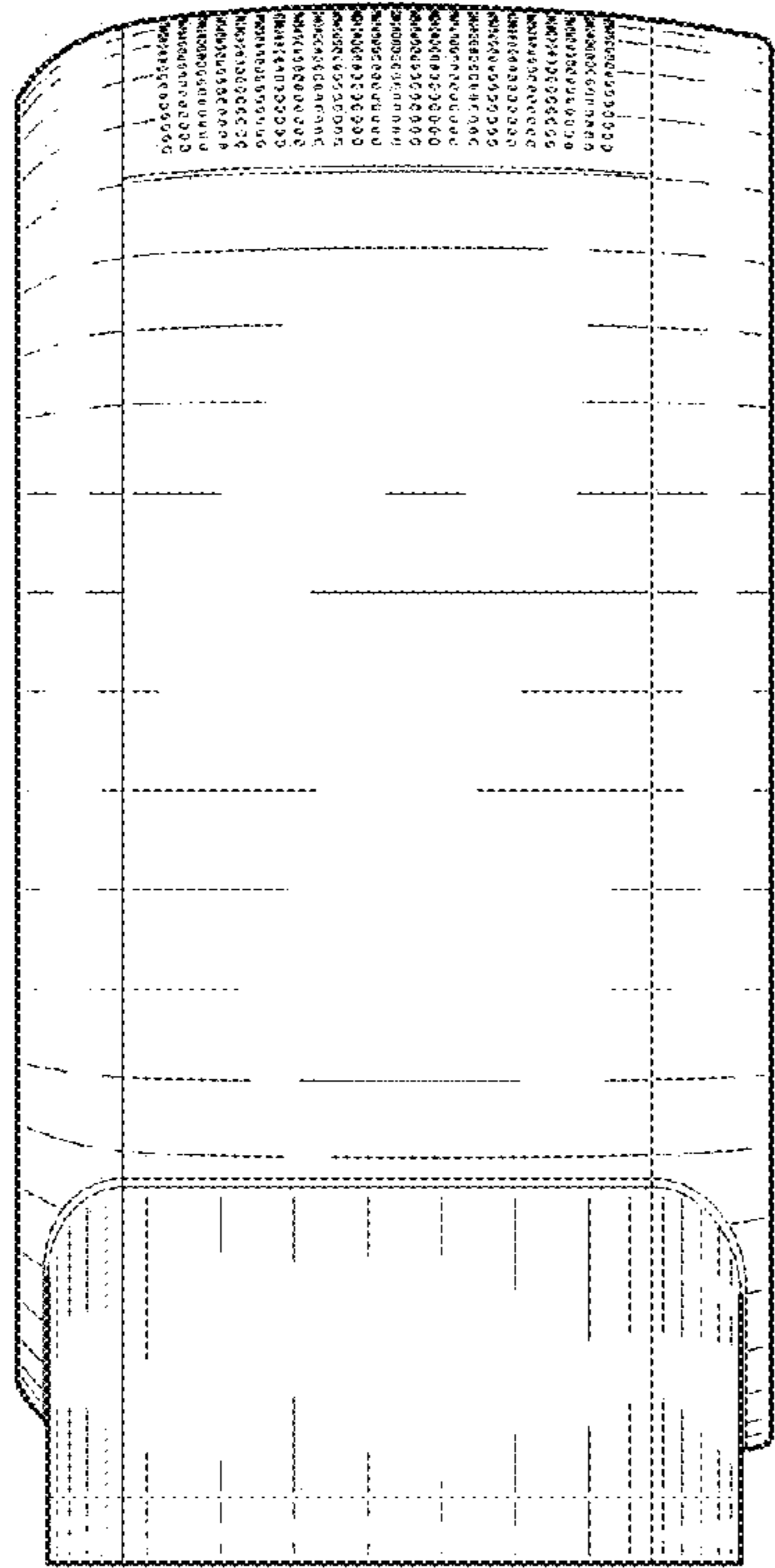


FIG. 4

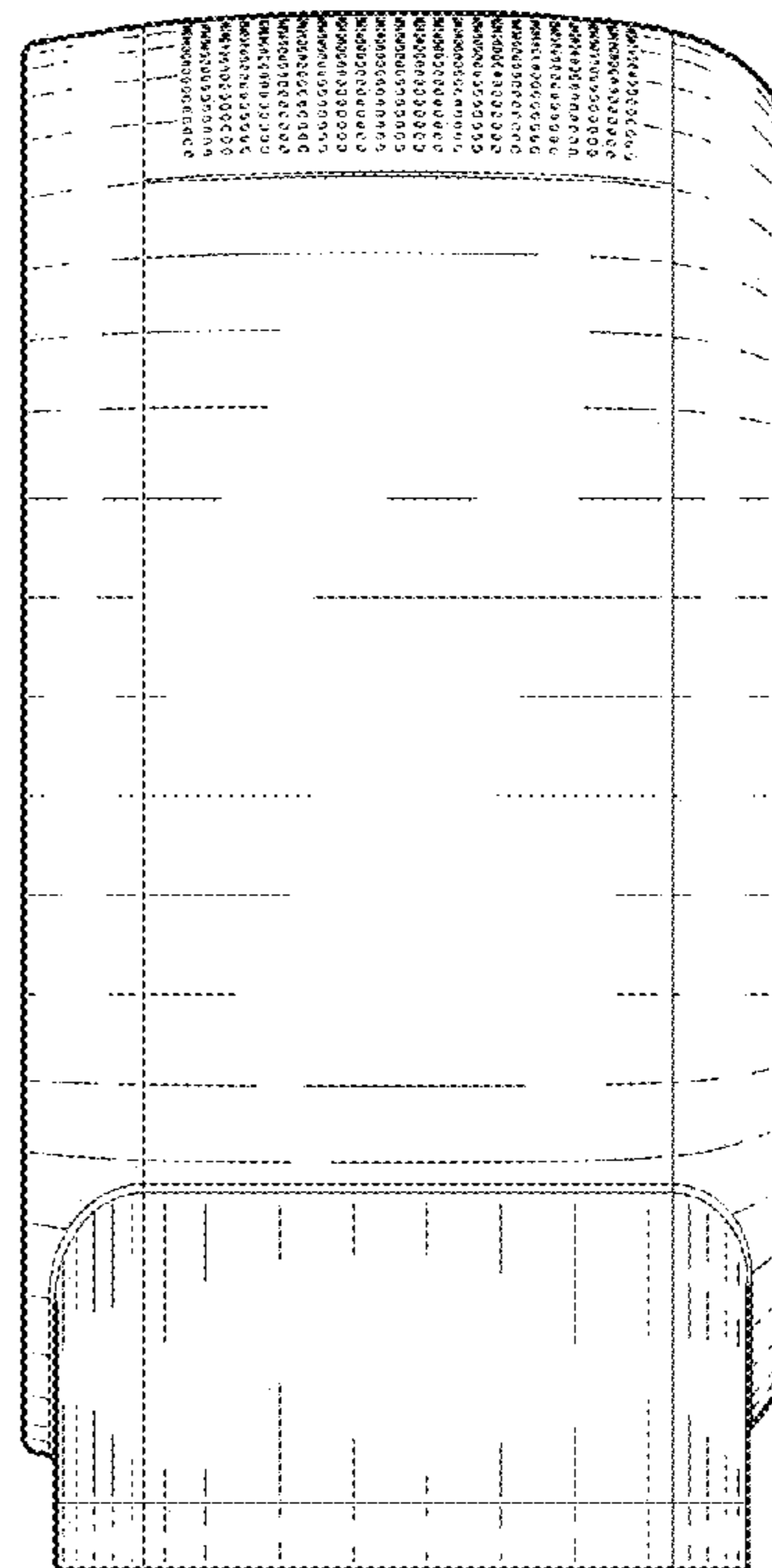


FIG. 5

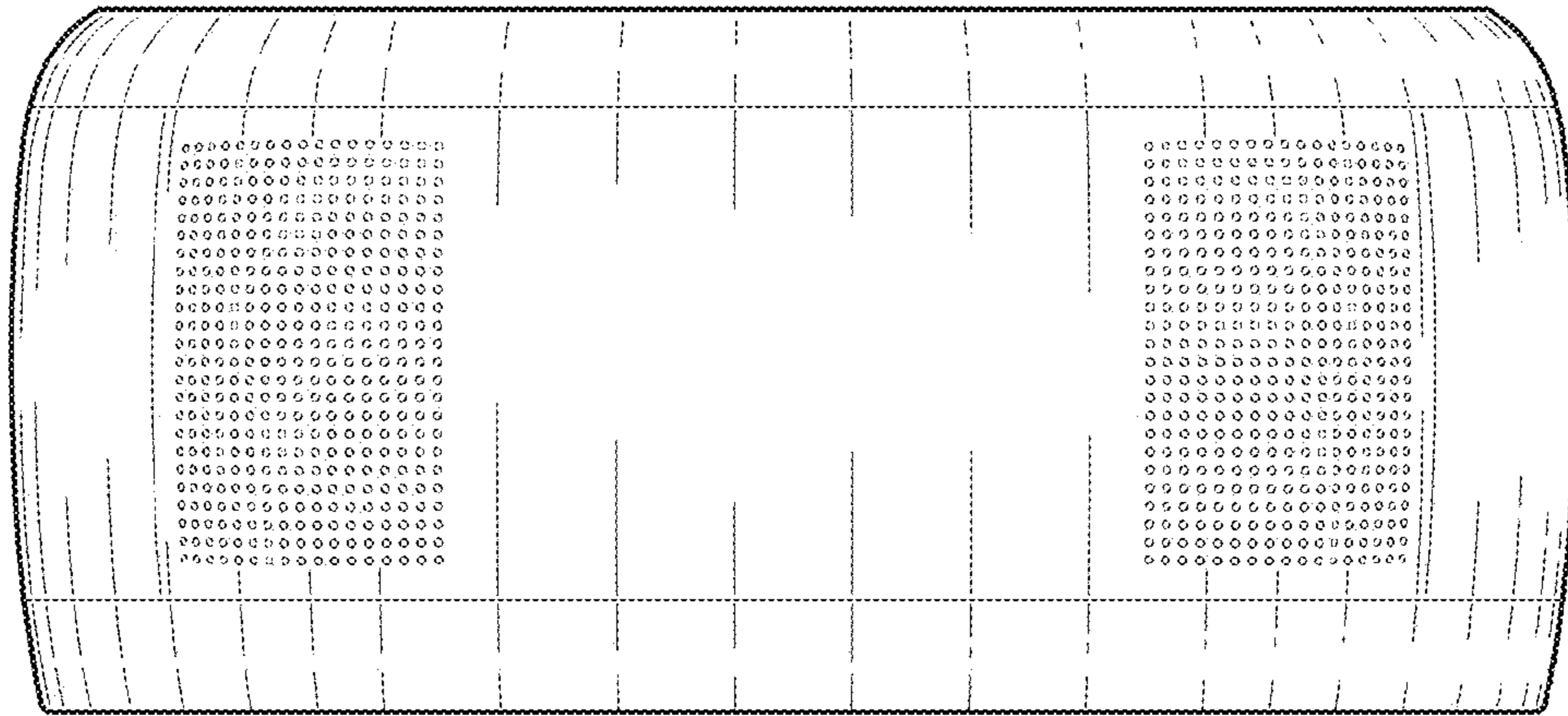


FIG. 6

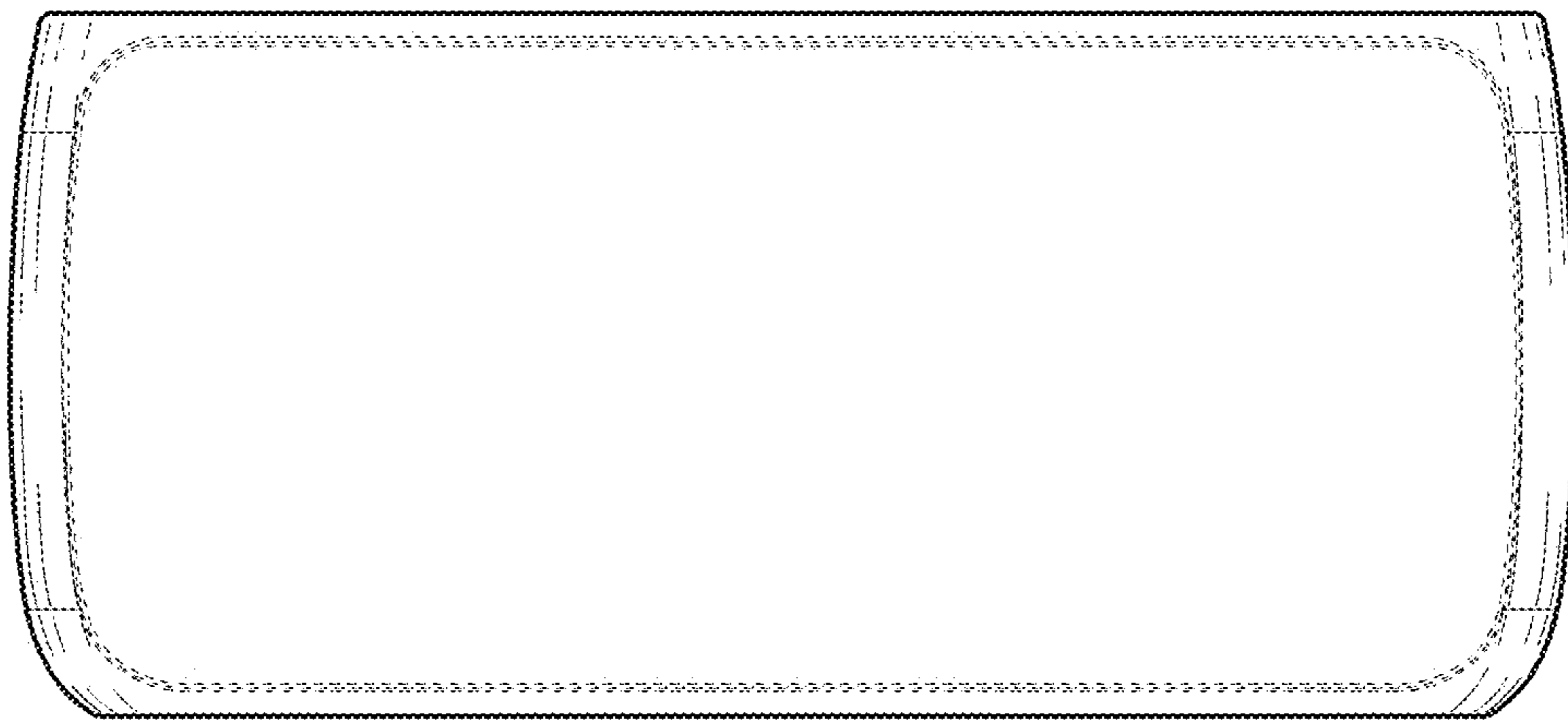


FIG. 7