



US00D700333S

(12) **United States Design Patent**
Fessler

(10) **Patent No.:** **US D700,333 S**

(45) **Date of Patent:** **** Feb. 25, 2014**

(54) **INTRASPINOUS PROCESS SPACER
IMPLANT**

8,177,813 B2 * 5/2012 Butler et al. 606/249
2008/0058934 A1 * 3/2008 Malandain et al. 623/17.11
2011/0319999 A1 * 12/2011 O'Neil et al. 623/17.16

(71) Applicant: **In Queue Innovations, LLC**, Winona
Lake, IN (US)

* cited by examiner

(72) Inventor: **Richard G. Fessler**, Winnetka, IL (US)

Primary Examiner — Ian Simmons

(73) Assignee: **In Queue Innovations, LLC**, Winona
Lake, IN (US)

Assistant Examiner — Charles Hanson

(74) *Attorney, Agent, or Firm* — Heslin Rothenberg Farley
& Mesiti P.C.

(**) Term: **14 Years**

(57) **CLAIM**

The ornamental design for an intraspinoous process spacer
implant, as shown and described.

(21) Appl. No.: **29/444,584**

DESCRIPTION

(22) Filed: **Jan. 31, 2013**

(51) **LOC (10) Cl.** **24-02**

(52) **U.S. Cl.**
USPC **D24/155**

(58) **Field of Classification Search**
USPC D24/155, 133; 623/17.11, 17.15, 17.16,
623/17.12; 606/90, 86 A, 248, 249
See application file for complete search history.

FIG. 1 is a front right lateral perspective view of the intras-
pinoous process spacer implant comprising my new design;
FIG. 2 is a front left lateral perspective view of the design of
FIG. 1;
FIG. 3 is a front elevational view of the design of FIG. 1;
FIG. 4 is a back elevational view of the design of FIG. 1;
FIG. 5 is a left side elevational view of the design of FIG. 1;
FIG. 6 is a right side elevational view of the design of FIG. 1;
FIG. 7 is a top view of the design of FIG. 1; and,
FIG. 8 is a bottom view of the design of FIG. 1.

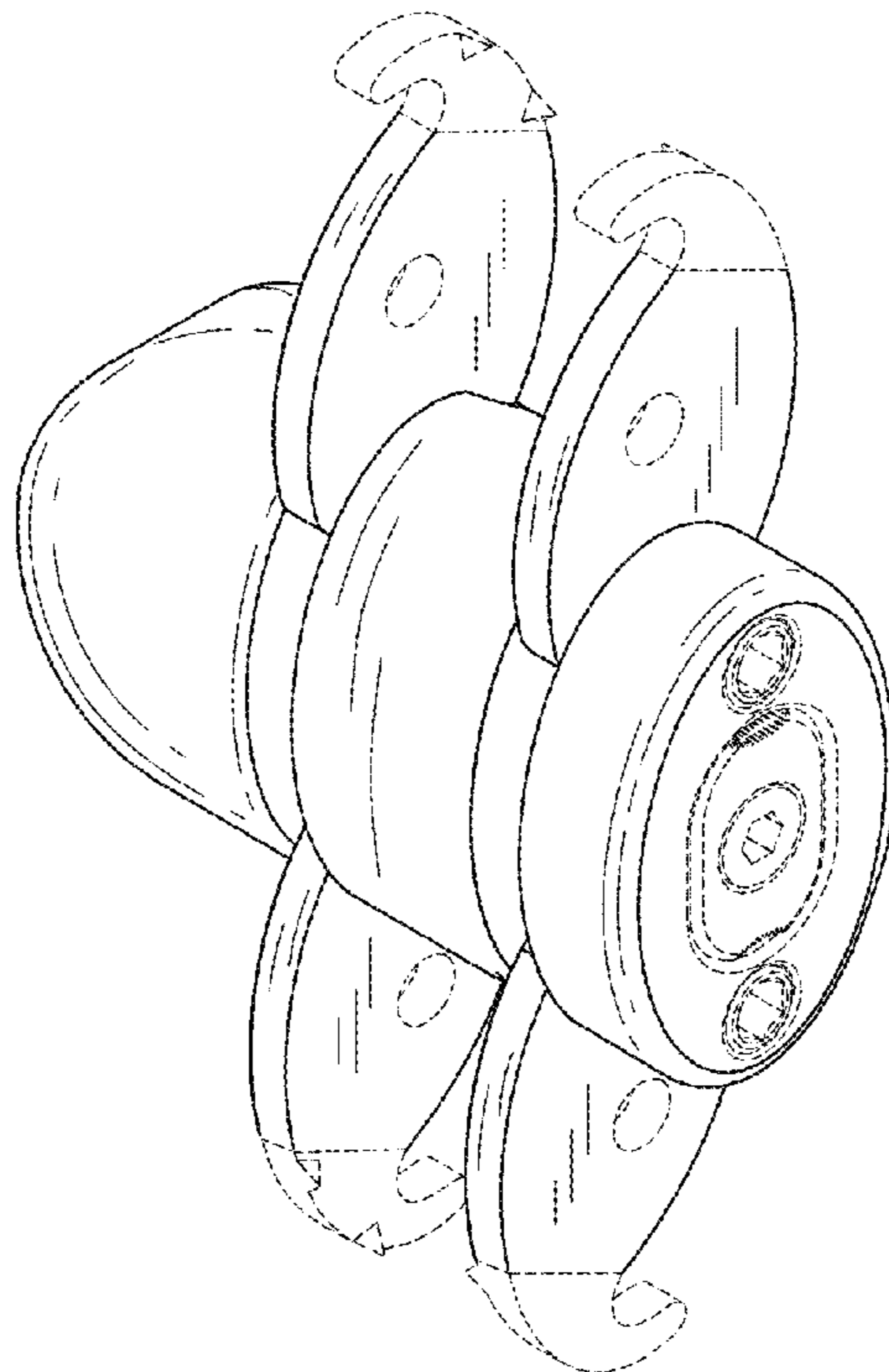
The broken lines in the figures are directed to the environment
and are for illustrative purposes only; the broken lines form no
part of the claimed invention.

(56) **References Cited**

U.S. PATENT DOCUMENTS

D397,439 S * 8/1998 Koros et al. D24/155
D623,746 S * 9/2010 Laskowitz et al. D24/155
7,857,856 B2 * 12/2010 Trieu 623/17.16
8,097,021 B1 * 1/2012 Kornel 606/248

1 Claim, 3 Drawing Sheets



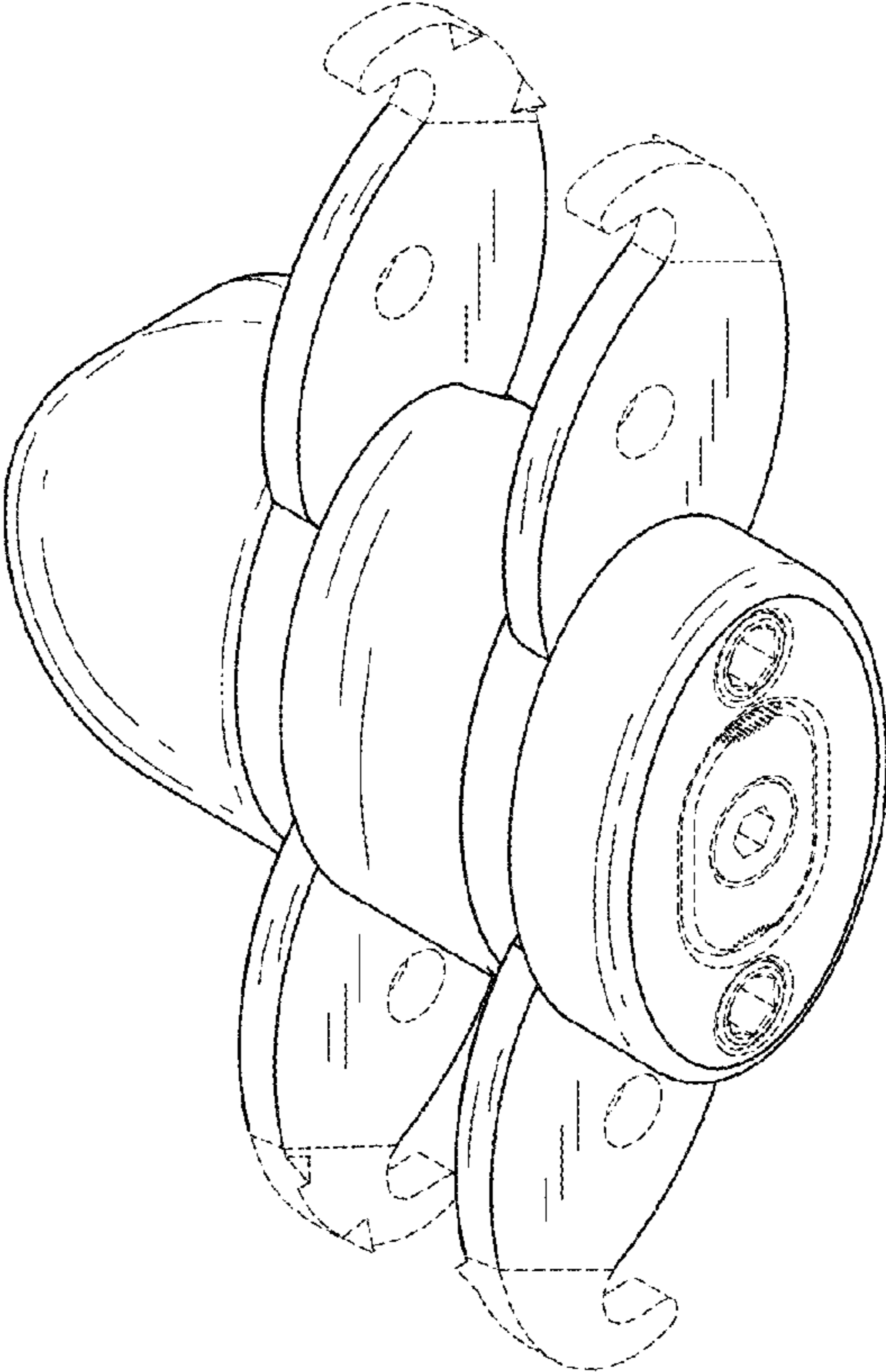


FIG. 1

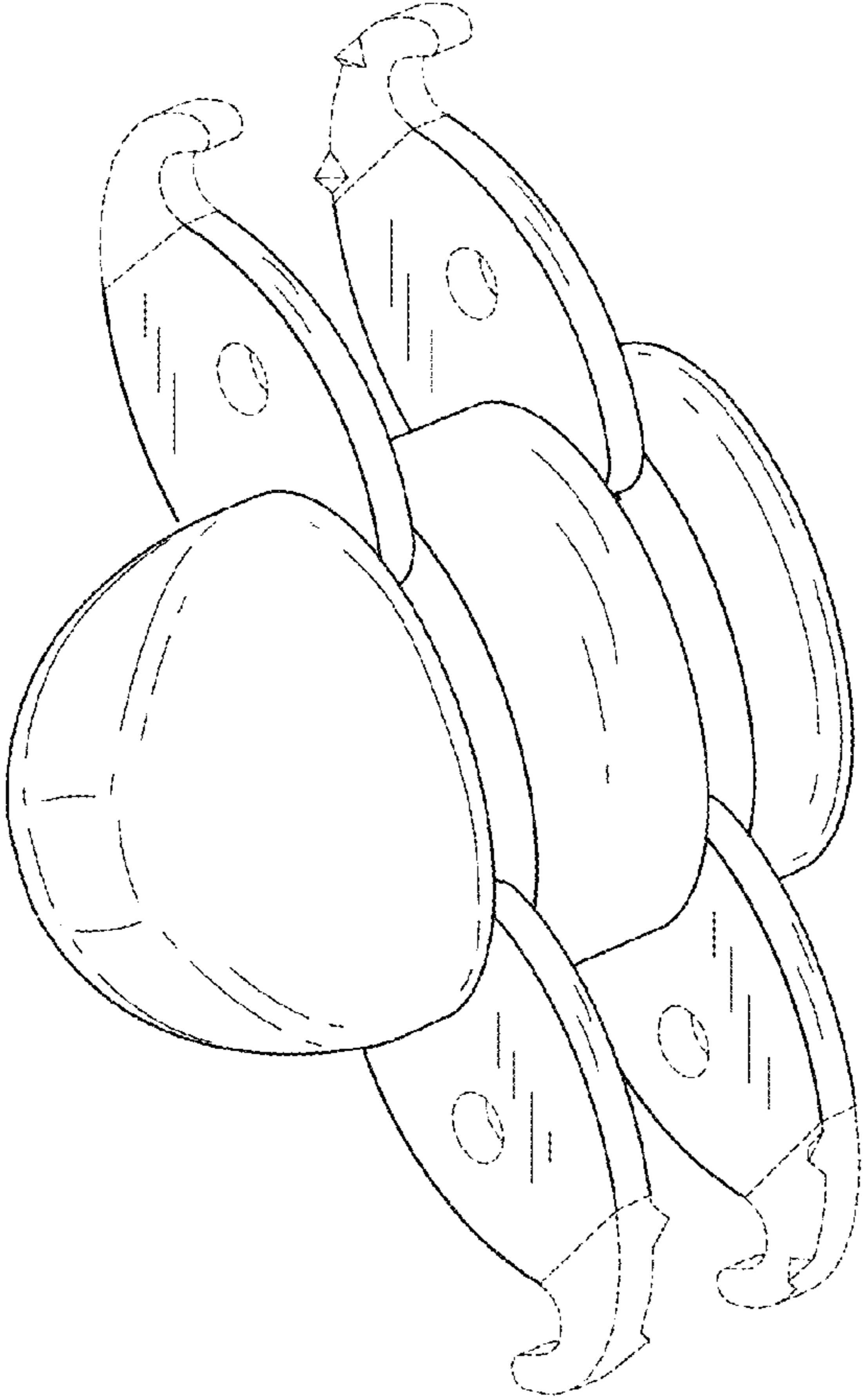


FIG. 2

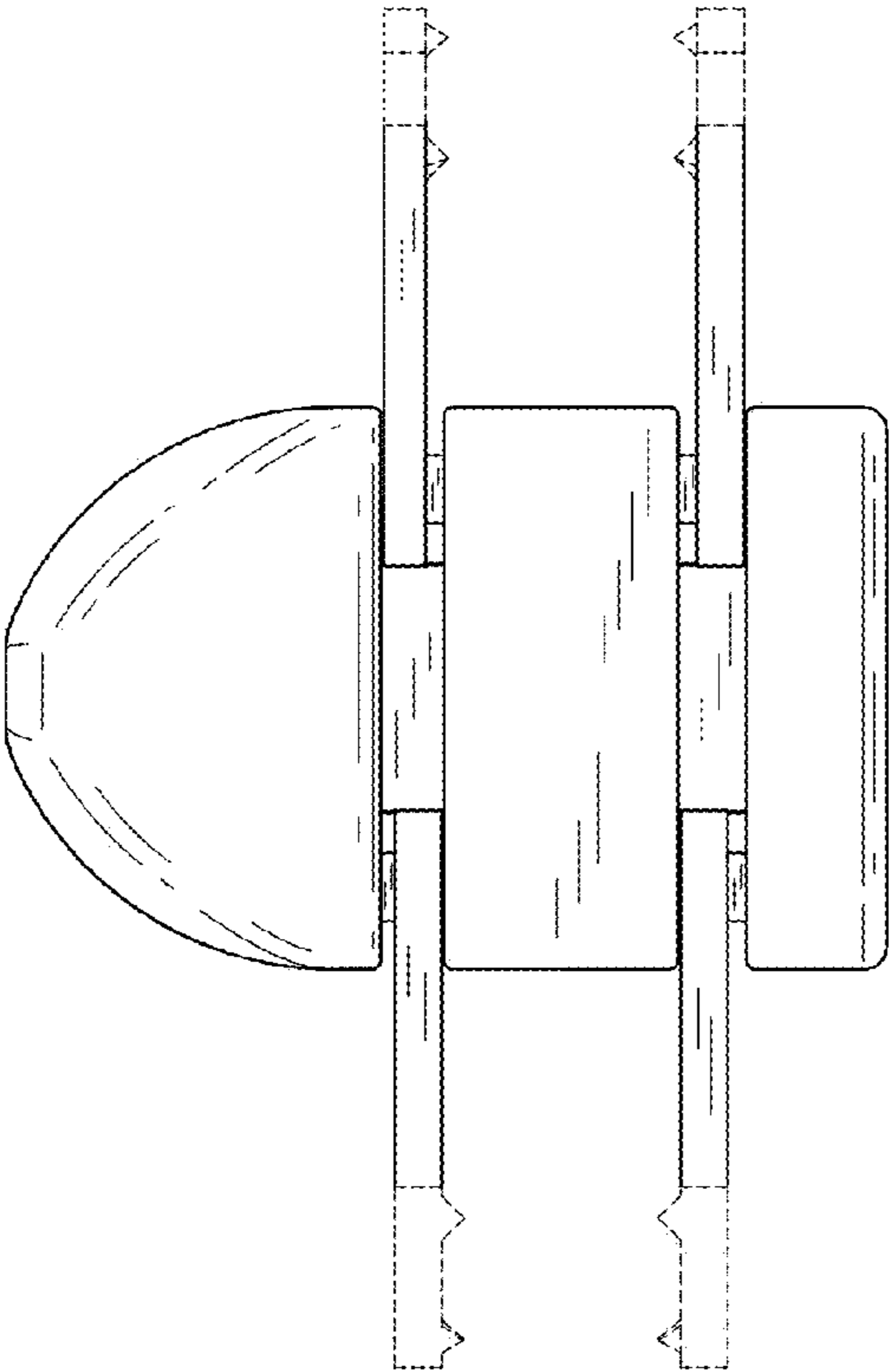


FIG. 3

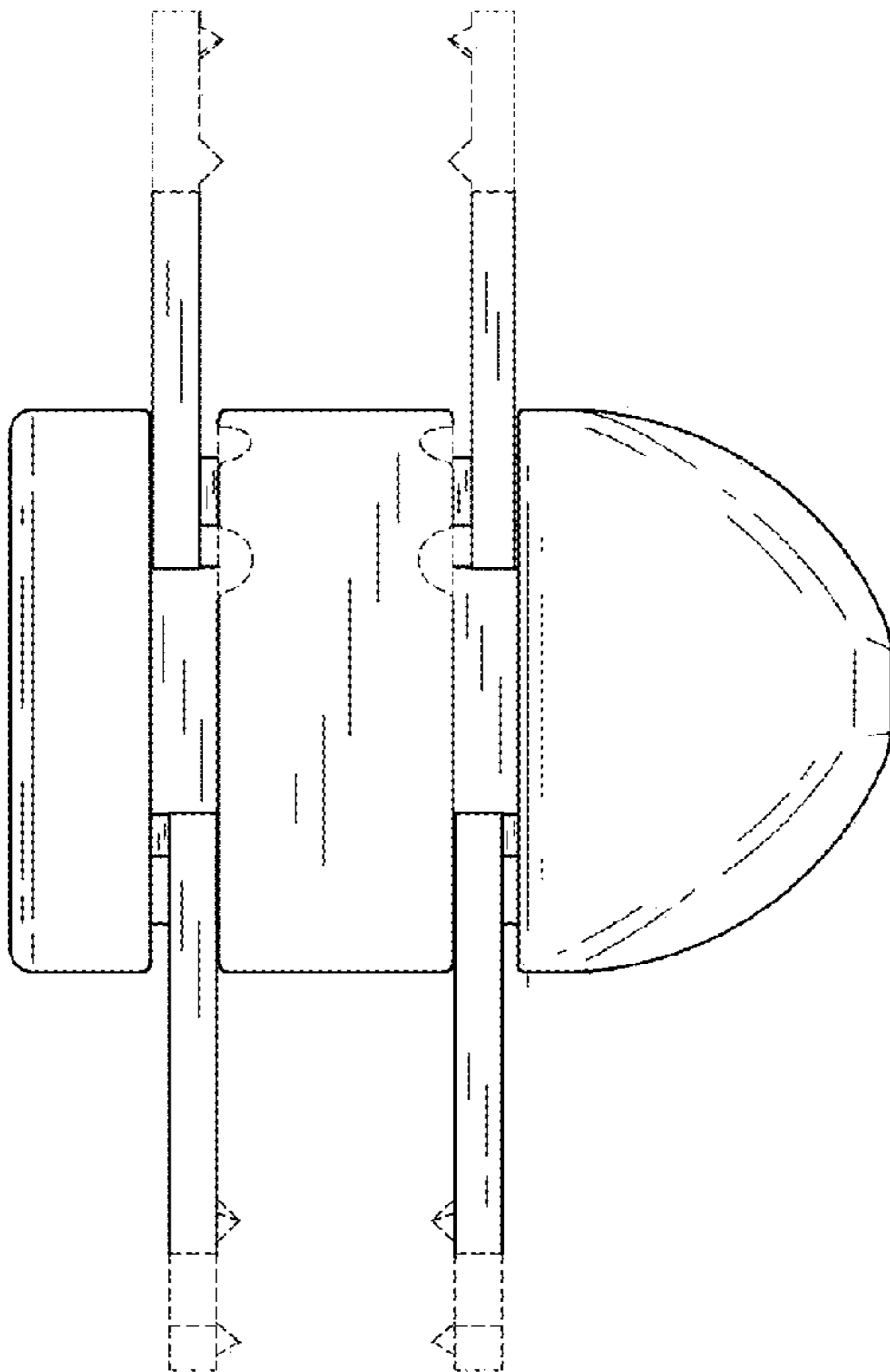


FIG. 4

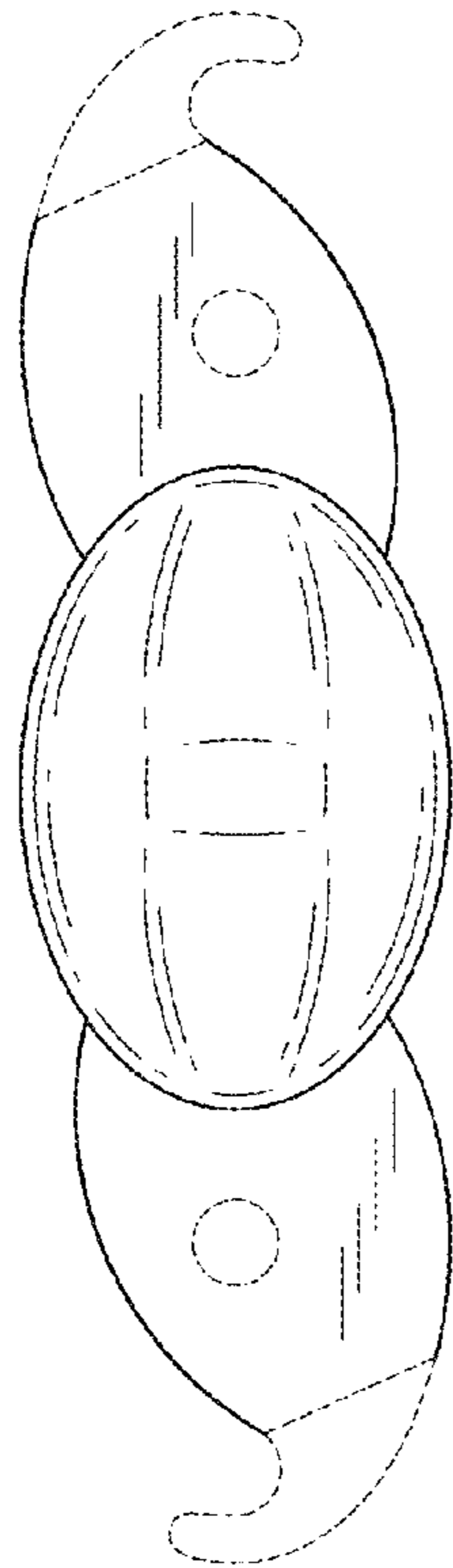


FIG. 5

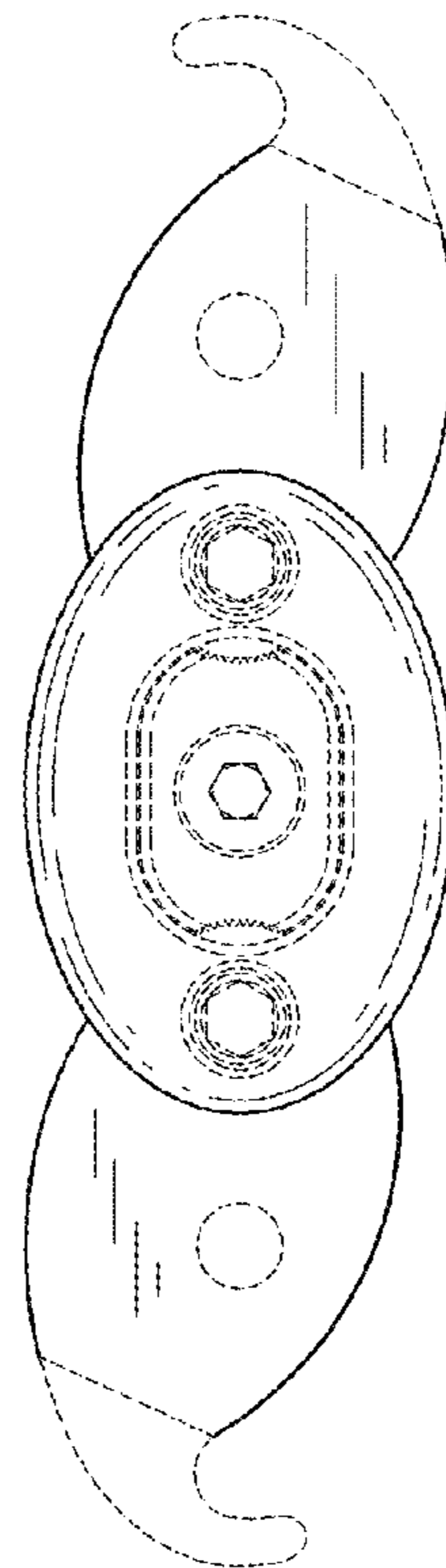


FIG. 6

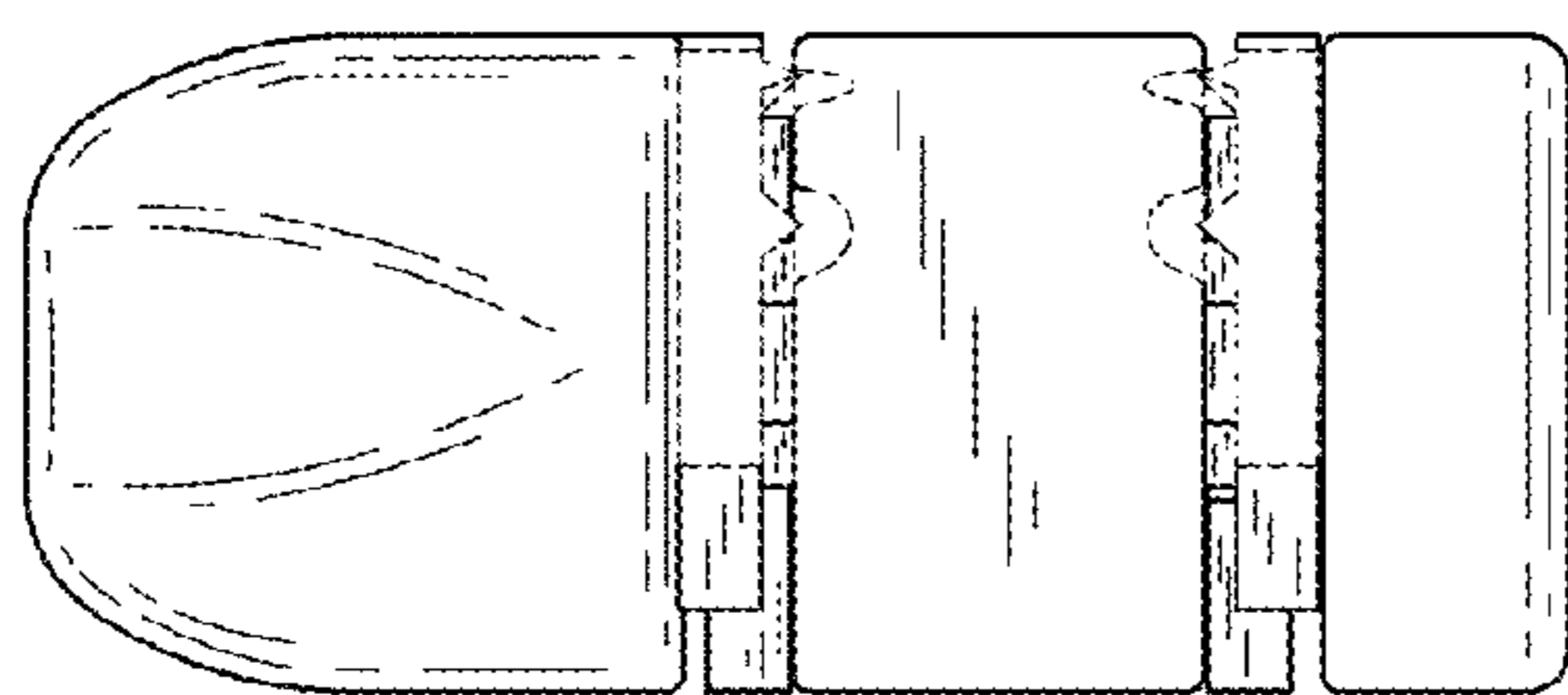


FIG. 7

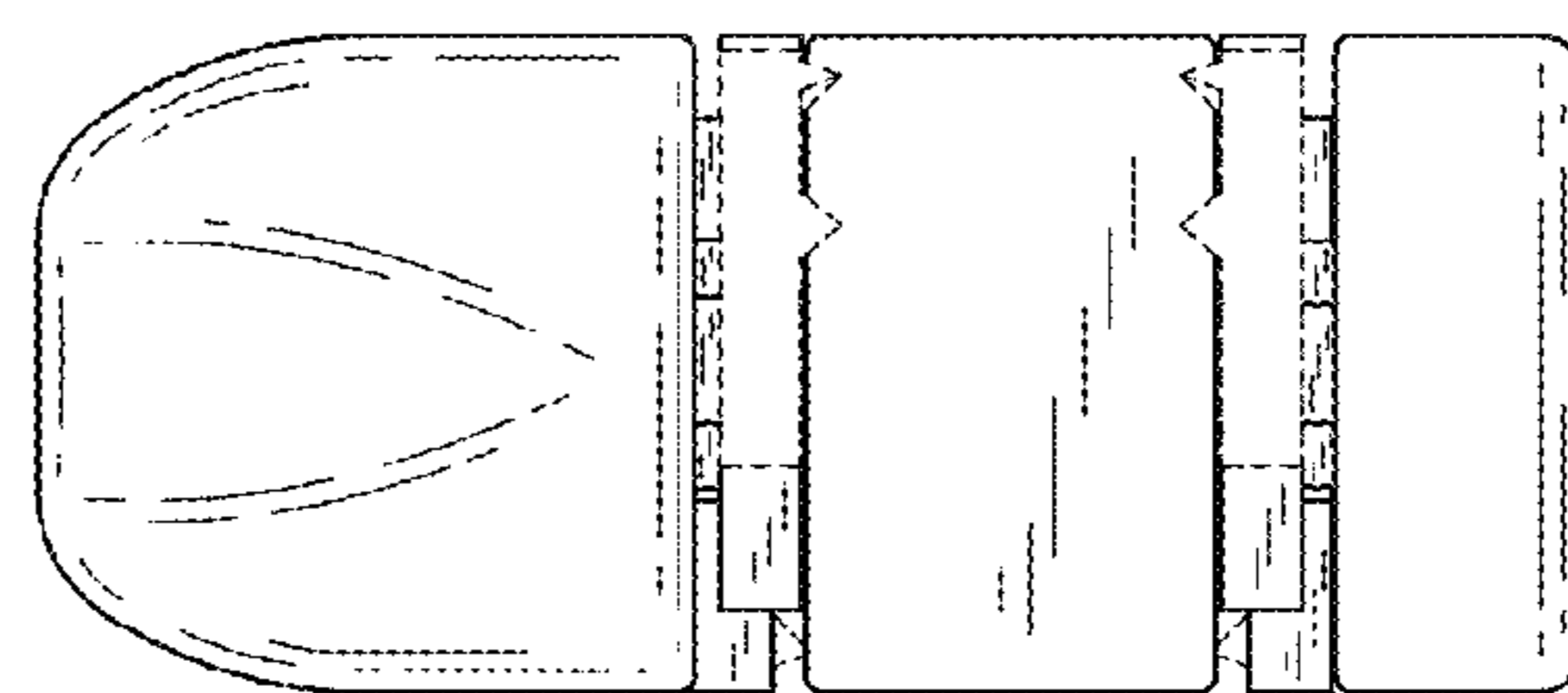


FIG. 8