



US00D700332S

(12) **United States Design Patent**
Tyber

(10) **Patent No.:** **US D700,332 S**

(45) **Date of Patent:** **** Feb. 25, 2014**

- (54) **INTERVERTEBRAL IMPLANT**
- (71) Applicant: **Jeffrey Tyber**, Denville, NJ (US)
- (72) Inventor: **Jeffrey Tyber**, Denville, NJ (US)
- (73) Assignee: **Tyber Medical LLC**, Morristown, NJ (US)
- (**) Term: **14 Years**
- (21) Appl. No.: **29/439,949**
- (22) Filed: **Dec. 18, 2012**
- (51) **LOC (10) Cl.** **24-02**
- (52) **U.S. Cl.**
USPC **D24/155**
- (58) **Field of Classification Search**
USPC D24/155, 133; 623/17.11, 17.15, 17.16,
623/17.12; 606/90, 86 A
See application file for complete search history.

- D625,820 S * 10/2010 Calverley et al. D24/155
- D629,104 S * 12/2010 Calverley et al. D24/155
- D671,645 S * 11/2012 Curran et al. D24/155
- D674,092 S * 1/2013 Lovell D24/155

* cited by examiner

Primary Examiner — Ian Simmons

Assistant Examiner — Charles Hanson

(74) *Attorney, Agent, or Firm* — Joseph E. Maenner;
Maenner & Associates, LLC

(57) **CLAIM**

The ornamental design for an intervertebral implant, as shown and described.

DESCRIPTION

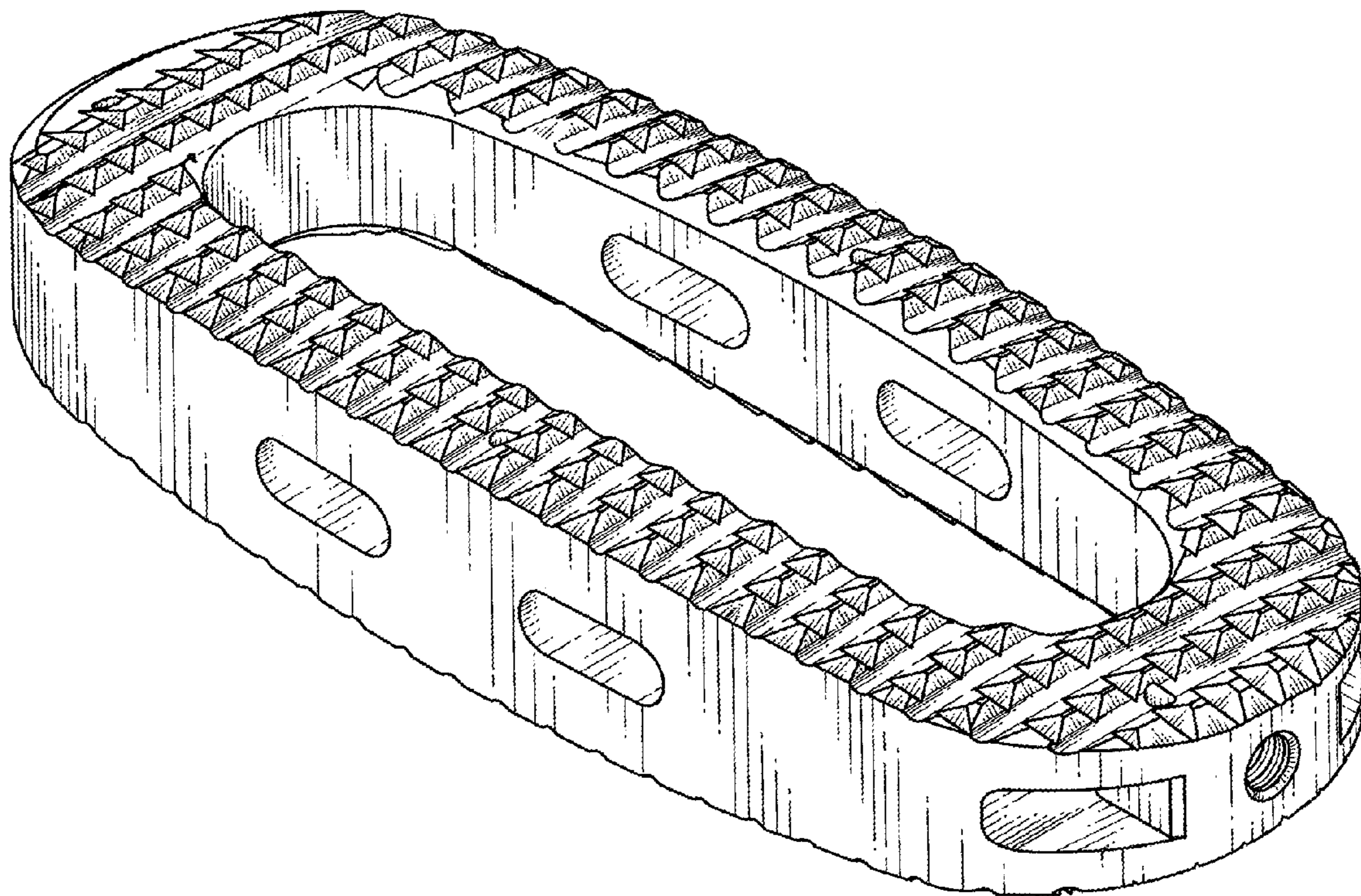
FIG. 1 is a top perspective view of an intervertebral implant showing my new design;
 FIG. 2 is a bottom perspective view thereof;
 FIG. 3 is a front side view thereof;
 FIG. 4 is a rear side view thereof;
 FIG. 5 is a top plan view thereof;
 FIG. 6 is a bottom plan view thereof;
 FIG. 7 is a left side view thereof; and,
 FIG. 8 is a right side view thereof.

1 Claim, 6 Drawing Sheets

(56) **References Cited**

U.S. PATENT DOCUMENTS

- D594,986 S * 6/2009 Miles et al. D24/155
- D599,019 S * 8/2009 Pimenta et al. D24/155
- D621,509 S * 8/2010 Lovell D24/155



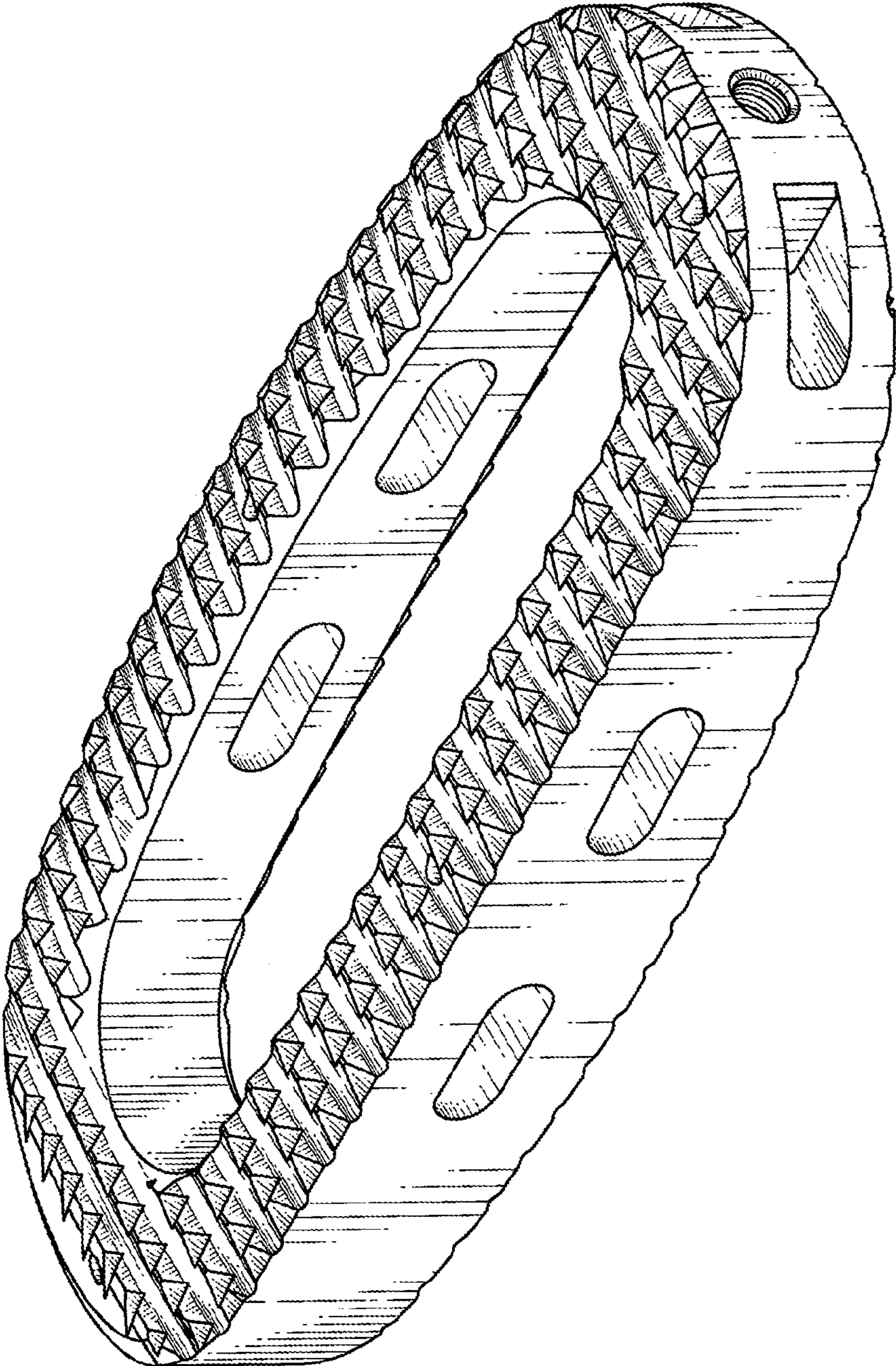


FIG. 1

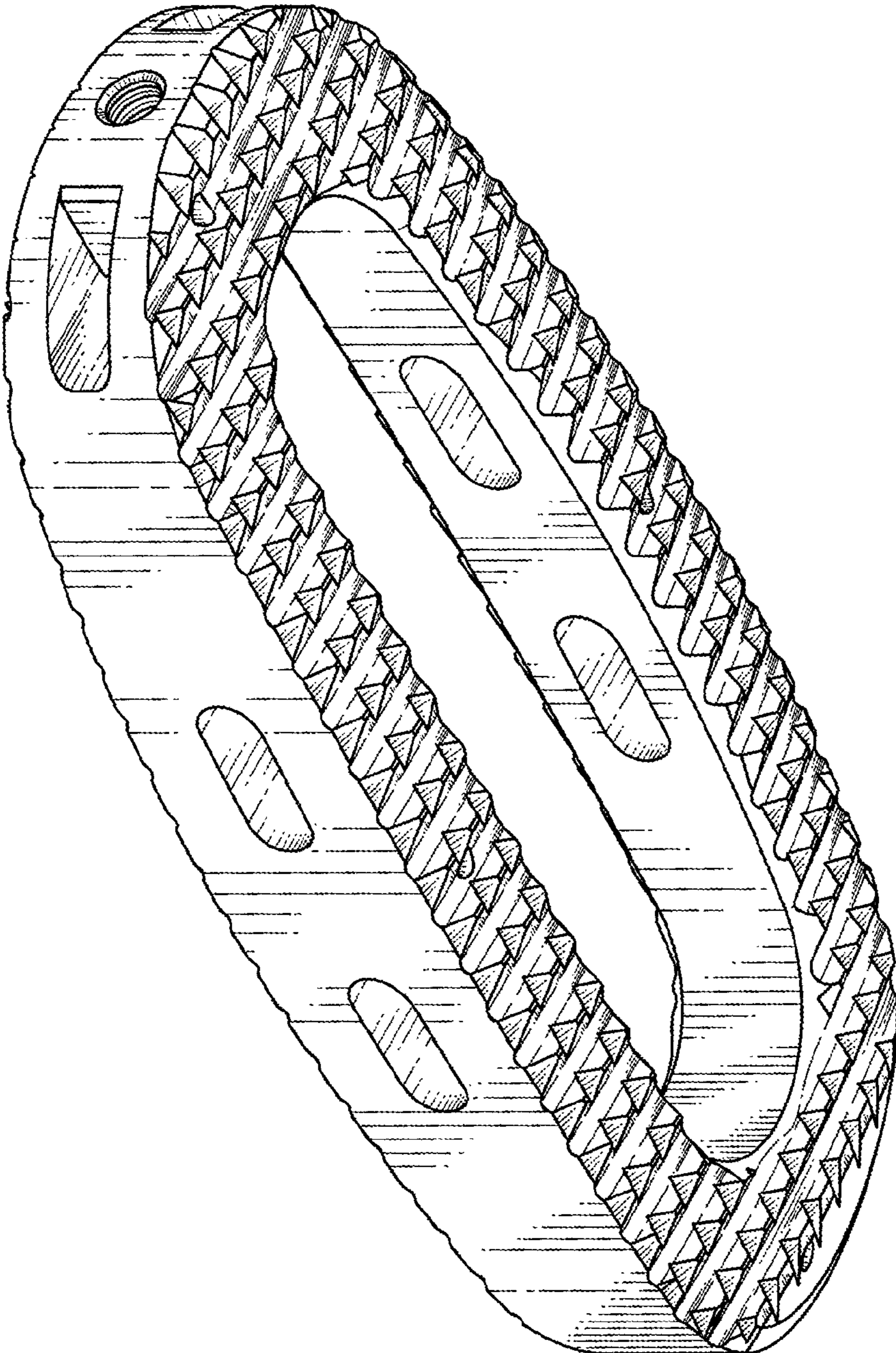


FIG. 2

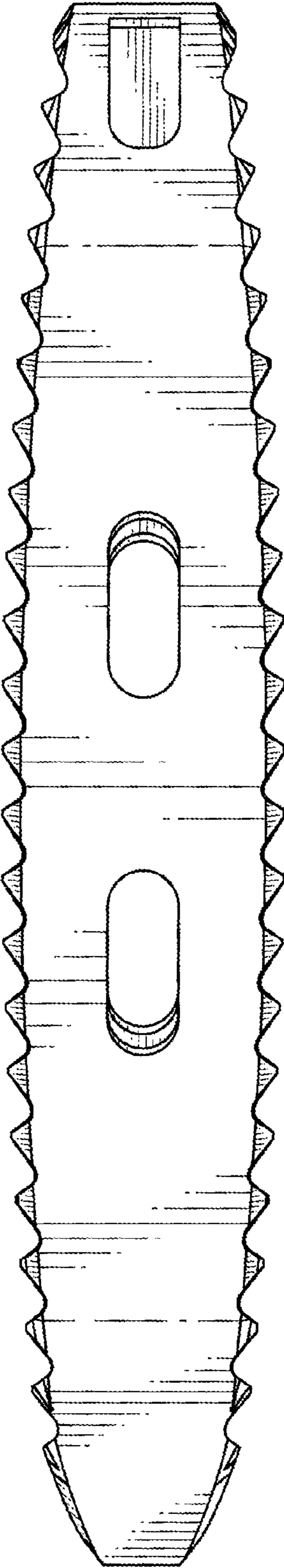


FIG. 3

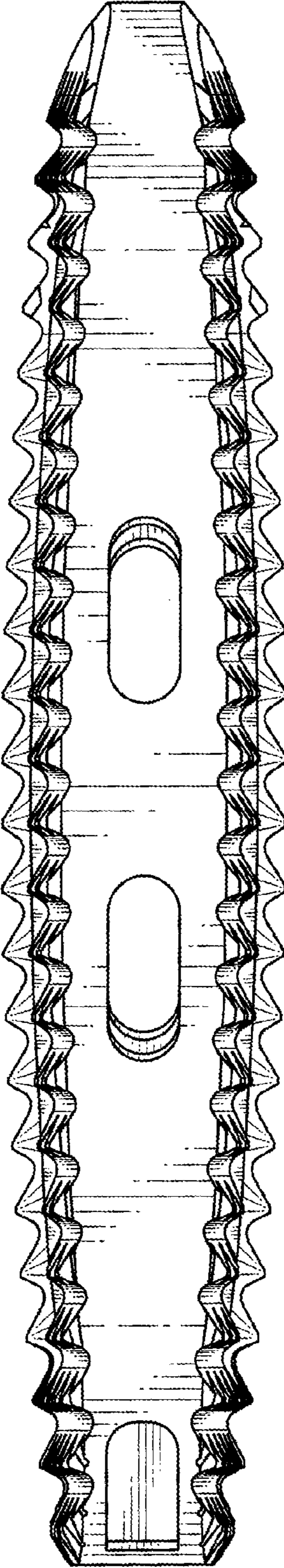


FIG. 4

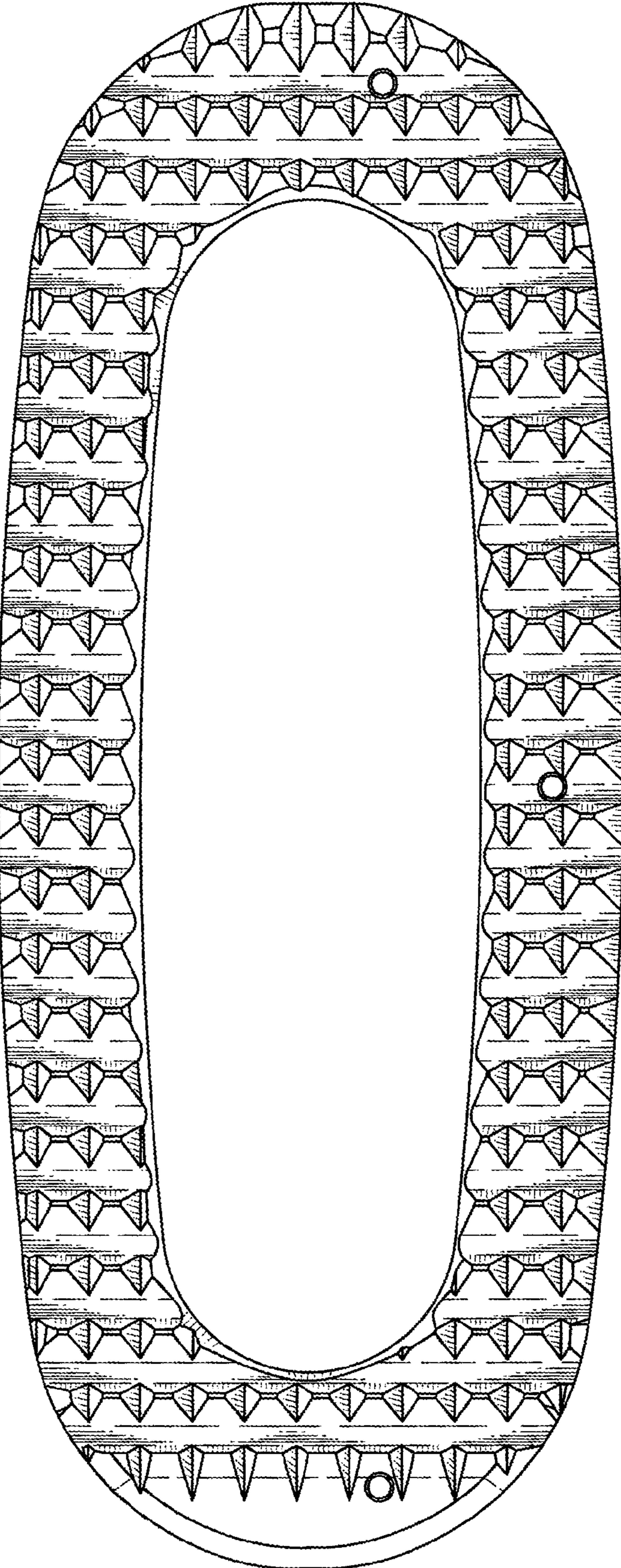


FIG. 5

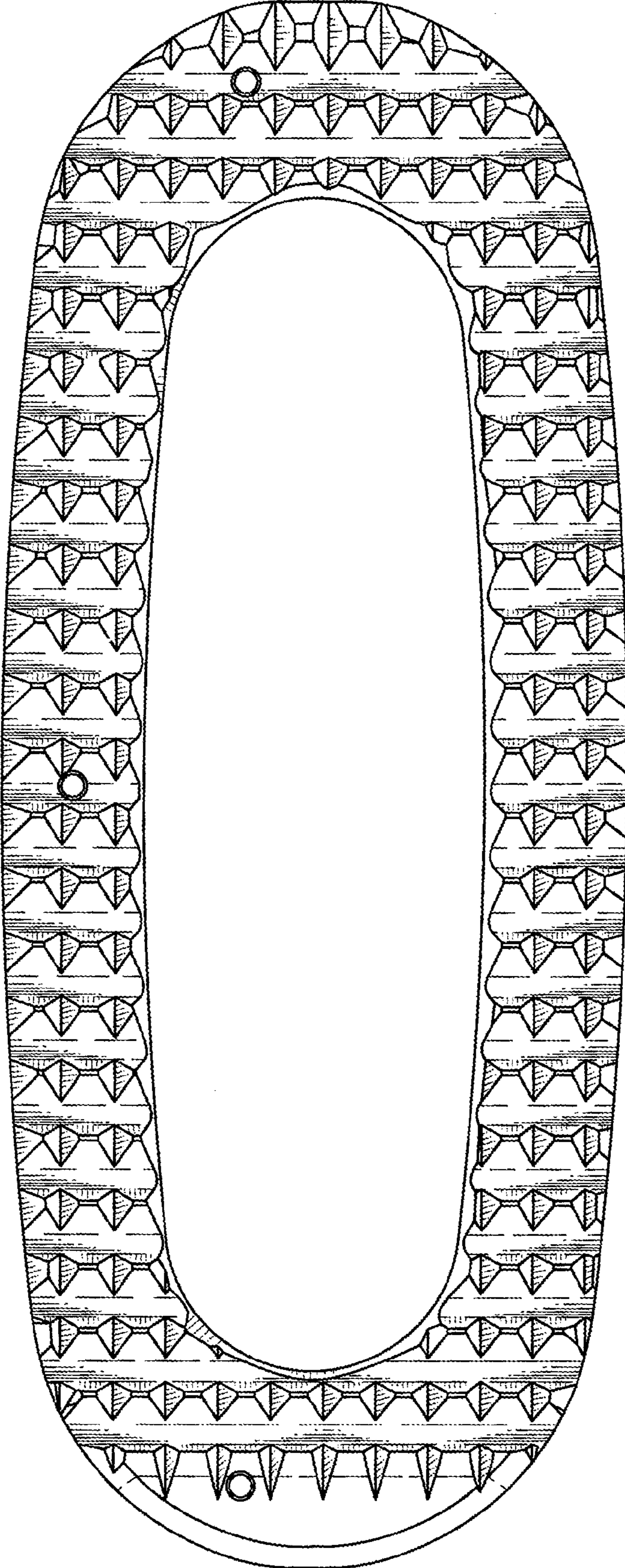


FIG. 6

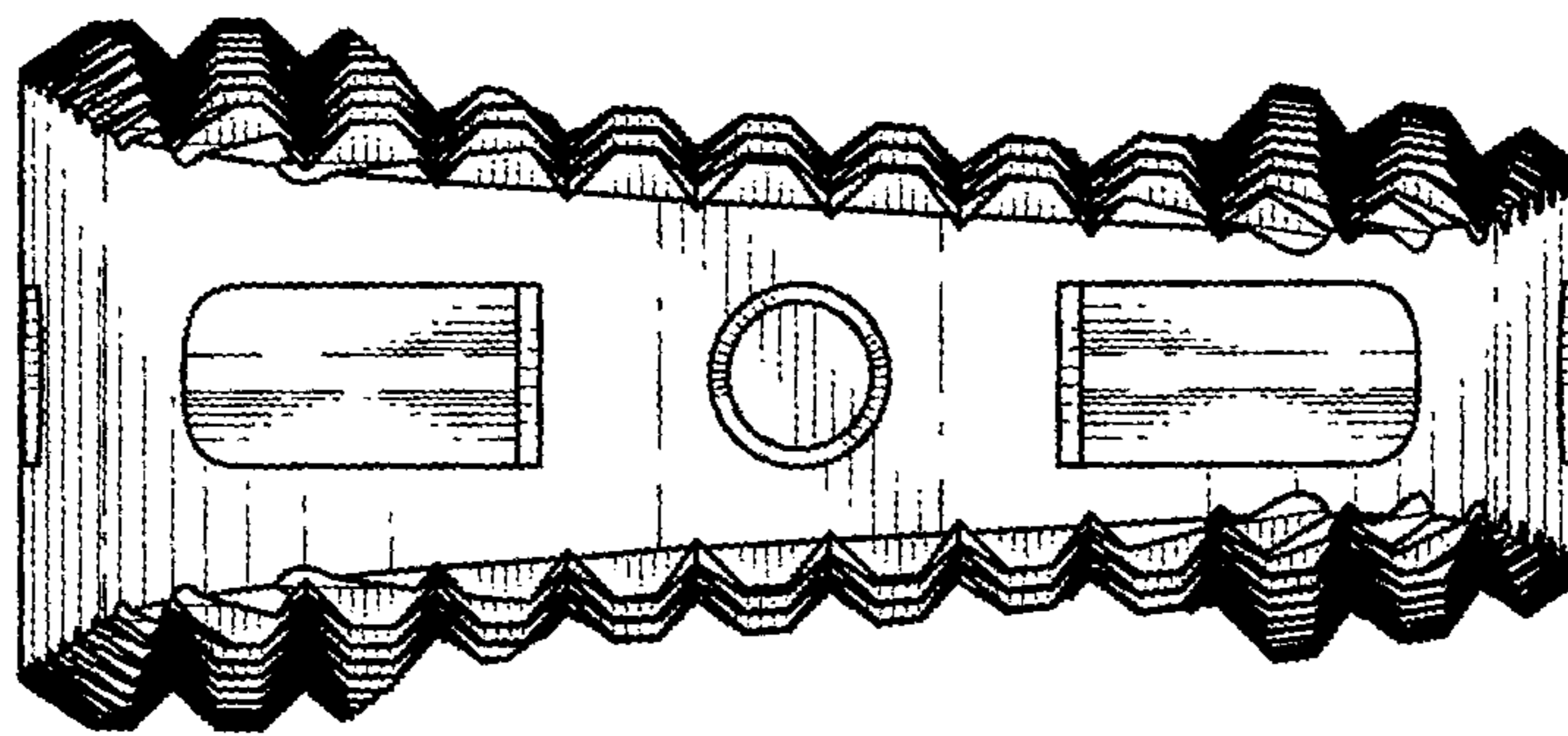


FIG. 7

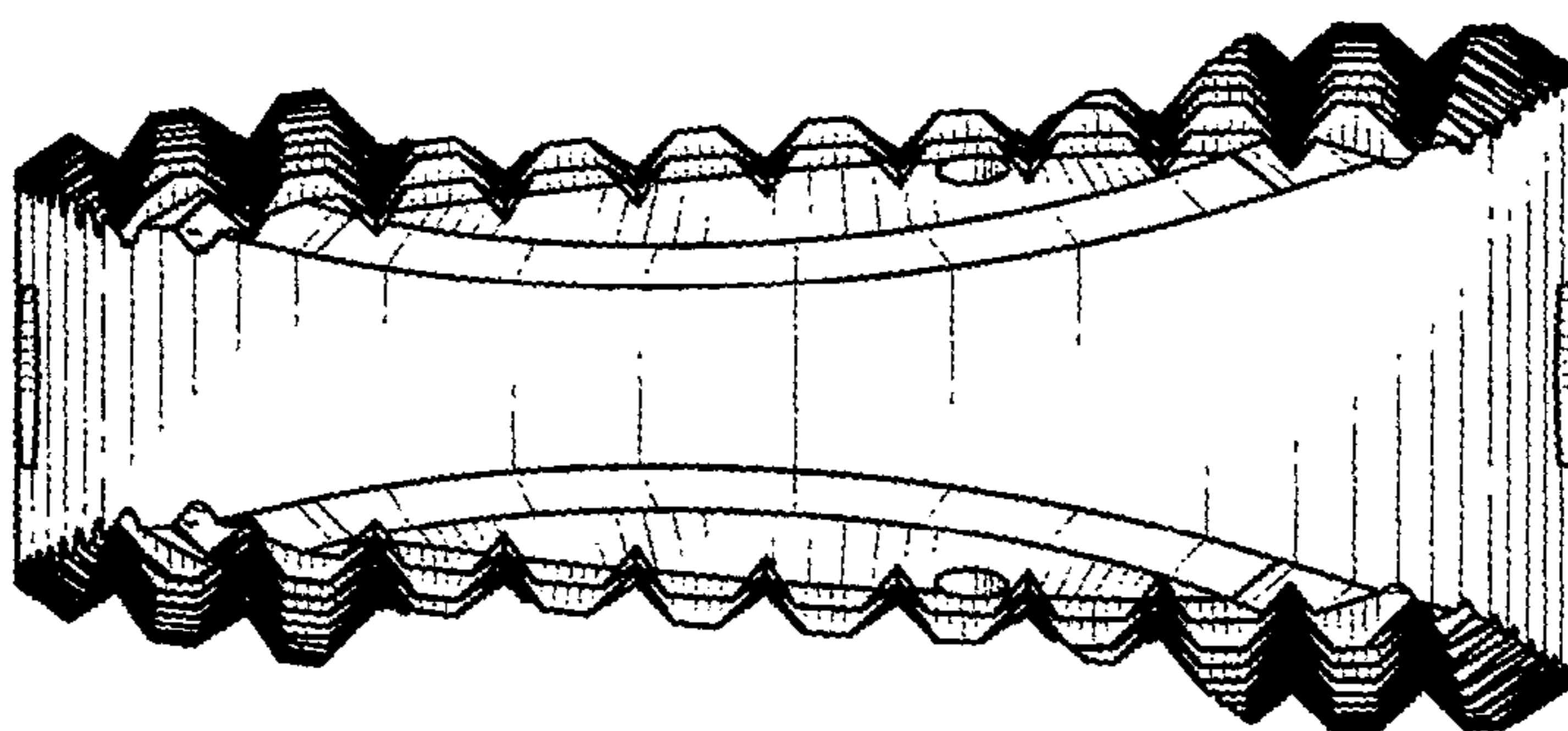


FIG. 8