



US00D700330S

(12) **United States Design Patent**
Way et al.

(10) **Patent No.:** **US D700,330 S**
(45) **Date of Patent:** **** Feb. 25, 2014**

(54) **MICROPERFORATION DENTAL DEVICE**

(75) Inventors: **Bryce A. Way**, San Jose, CA (US);
Christopher U. Phan, San Leandro, CA
(US); **Dana Leigh Gelman Keiles**, Mt.
Kisco, NY (US); **Richard Johnson**,
Briarcliff Manor, NY (US); **Phillip**
Abatelli, Wesbury, NY (US)

(73) Assignee: **Propel Orthodontics, LLC**, Ossining,
NY (US)

(**) Term: **14 Years**

(21) Appl. No.: **29/420,379**

(22) Filed: **May 8, 2012**

(51) **LOC (10) Cl.** **24-02**

(52) **U.S. Cl.**
USPC **D24/152**

(58) **Field of Classification Search**
USPC D24/152, 133, 155-156, 176-177, 180,
D24/146-147; D8/80-83, 85-86, 107;
81/177.1, 436-439; 433/3, 108, 82,
433/114, 126, 133, 141, 173-174

See application file for complete search history.

(56) **References Cited**

U.S. PATENT DOCUMENTS

430,299 A	6/1890	Rand	
D88,859 S *	1/1933	Curtis D8/83
2,390,309 A	12/1945	Keys	
2,564,356 A	8/1951	Dianda	
3,360,861 A	1/1968	Hoffman	
3,682,177 A	8/1972	Ames et al.	
D266,109 S *	9/1982	Sertich et al. D24/146
D285,835 S	9/1986	Hanses	
4,777,852 A	10/1988	Herman et al.	
5,173,050 A	12/1992	Dillon	
5,188,531 A	2/1993	Von Sutfin	
5,191,880 A	3/1993	McLeod et al.	

5,320,532 A	6/1994	Farzin-Nia et al.	
5,343,883 A	9/1994	Murayama	
5,351,404 A	10/1994	Smith	
D379,750 S *	6/1997	Thompson et al. D8/83
5,676,682 A	10/1997	Yoon	

(Continued)

FOREIGN PATENT DOCUMENTS

EP	1535586 A2	6/2005
JP	2007097987	4/2007

(Continued)

OTHER PUBLICATIONS

Khoo et al.; Accelerated Orthodontic Treatment; Dentista Y Pacienta;
Mexican Dental Journal; Feb. 2011 edition; 11 pages total.

(Continued)

Primary Examiner — Wan Laymon

(74) *Attorney, Agent, or Firm* — Shay Glenn LLP

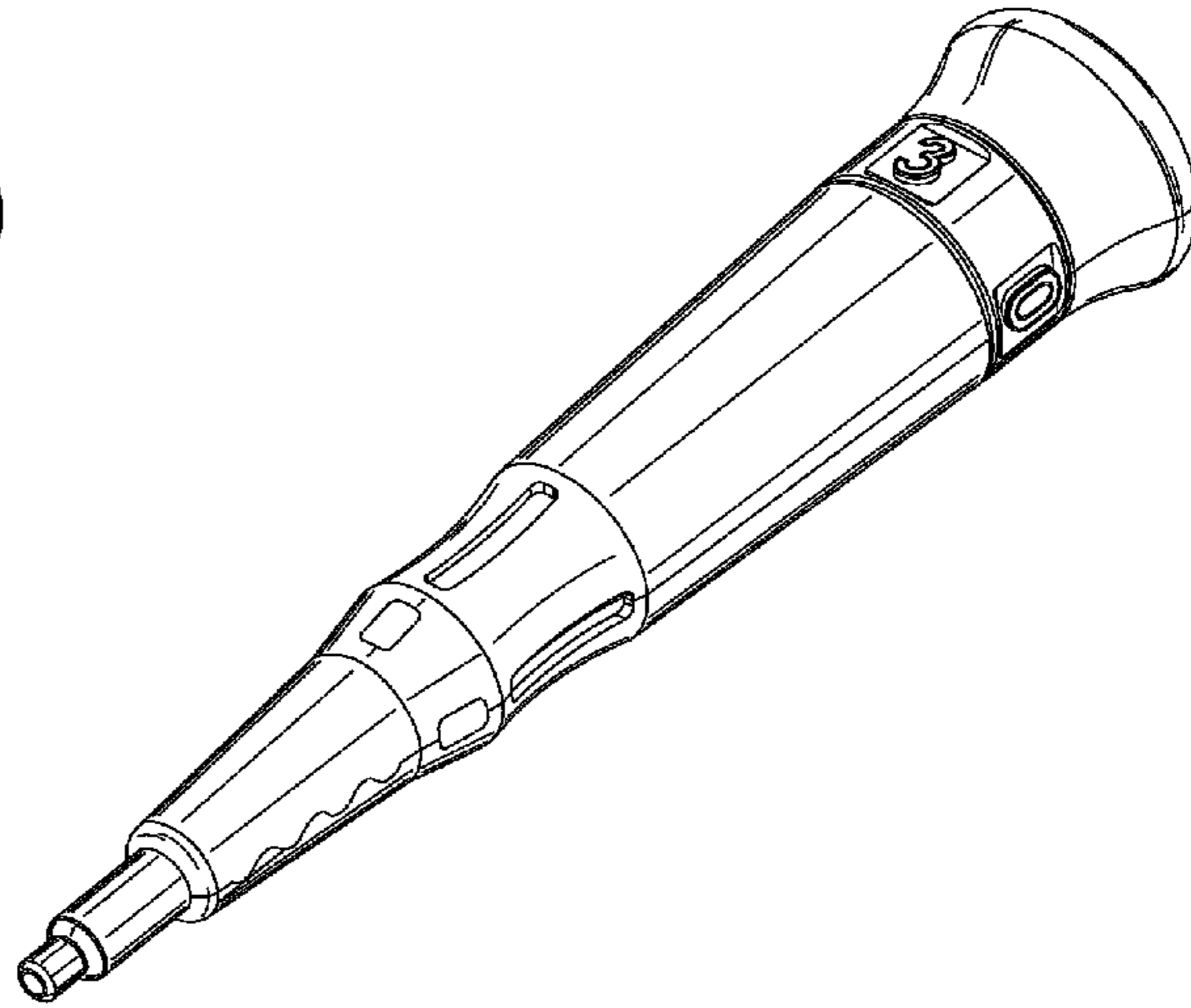
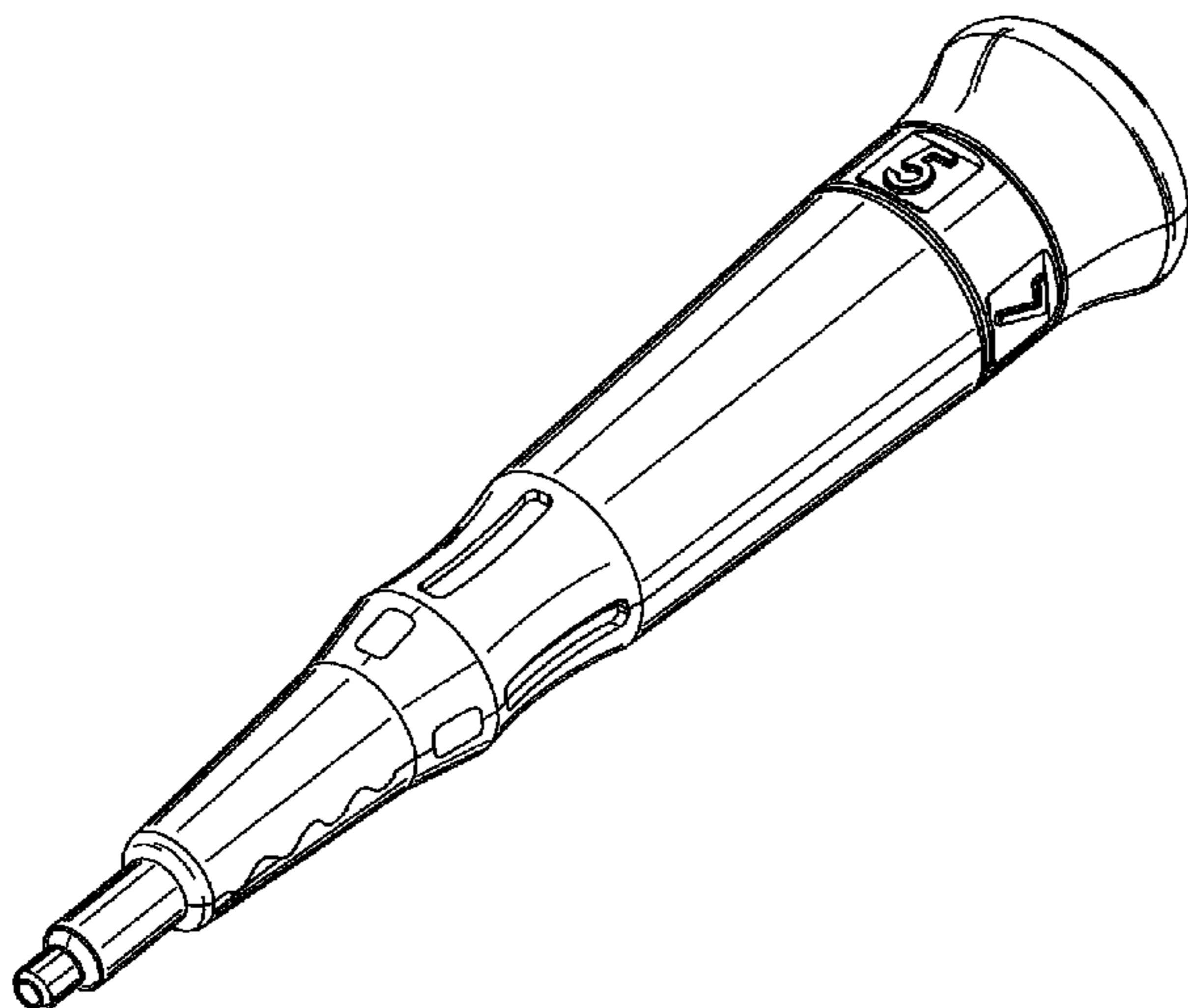
(57) **CLAIM**

We claim the ornamental design for a microperforation dental
device, as shown and described.

DESCRIPTION

FIG. 1 is a perspective view of the microperforation dental
device showing our new design;
FIG. 2 is a right view thereof;
FIG. 3 is a left view thereof;
FIG. 4 is an enlarged front view thereof
FIG. 5 is an enlarged back view thereof;
FIG. 6 is a top view thereof; and
FIG. 7 is a bottom view thereof; and,
FIG. 8 is another perspective view thereof.
Portions of the microperforation dental device shown in bro-
ken lines form no part of the claimed design.

1 Claim, 6 Drawing Sheets



(56)

References Cited

U.S. PATENT DOCUMENTS

5,957,946 A 9/1999 Shuler et al.
 6,019,776 A 2/2000 Preissman et al.
 6,032,677 A 3/2000 Blechman et al.
 6,106,289 A 8/2000 Rainey et al.
 D440,479 S * 4/2001 Hsiao D8/82
 6,234,975 B1 5/2001 McLeod et al.
 D454,767 S * 3/2002 Edwards D8/83
 D467,153 S * 12/2002 Edwards D8/83
 6,543,315 B2 4/2003 Huang
 6,592,368 B1 7/2003 Weathers, Jr.
 6,652,473 B2 11/2003 Kaufman et al.
 6,739,872 B1 5/2004 Turri
 7,166,067 B2 1/2007 Talish et al.
 D547,868 S * 7/2007 Nakanishi D24/146
 7,258,694 B1 8/2007 Choi et al.
 7,322,948 B2 1/2008 Talish et al.
 7,329,121 B2 2/2008 De Clerck
 7,338,494 B2 3/2008 Ryan
 7,419,680 B2 9/2008 LeGeros
 7,462,158 B2 12/2008 Mor
 7,611,355 B2 11/2009 Murias
 7,618,450 B2 11/2009 Zarowski et al.
 D607,300 S 1/2010 Lin
 D616,278 S * 5/2010 Deguglimo et al. D8/82
 D628,697 S 12/2010 Murias
 D629,102 S 12/2010 Murias et al.
 D662,206 S 6/2012 Way et al.
 2006/0281040 A1 12/2006 Kelling

2008/0227046 A1 9/2008 Lowe et al.
 2009/0035727 A1 2/2009 Maissami
 2009/0042159 A1 2/2009 Yamamoto et al.
 2009/0061375 A1 3/2009 Yamamoto et al.
 2009/0061379 A1 3/2009 Yamamoto et al.
 2009/0061380 A1 3/2009 Yamamoto et al.
 2009/0068285 A1 3/2009 LeGeros et al.
 2009/0275954 A1 11/2009 Phan et al.
 2009/0326602 A1 12/2009 Glukhovskiy et al.
 2010/0055634 A1 3/2010 Spaulding et al.
 2010/0092916 A1 4/2010 Teixeira et al.
 2010/0266983 A1 10/2010 Ng et al.
 2011/0045435 A1 2/2011 Goodman
 2011/0065060 A1 3/2011 Teixeira et al.
 2012/0094246 A1 4/2012 Pavlin
 2012/0179070 A1 7/2012 Pommer et al.
 2012/0288814 A1 11/2012 Way et al.
 2012/0322018 A1 12/2012 Lowe et al.

FOREIGN PATENT DOCUMENTS

JP 2009000412 A 1/2009
 RU 2223056 C2 2/2004
 WO WO 2006/070957 A1 7/2006
 WO WO 2009/088165 A1 7/2009

OTHER PUBLICATIONS

Teixeira et al.; Cytokine Expression and Accelerated Tooth Movement; J Dent Res; 89(10):1135-1141; Oct. 2010.

* cited by examiner

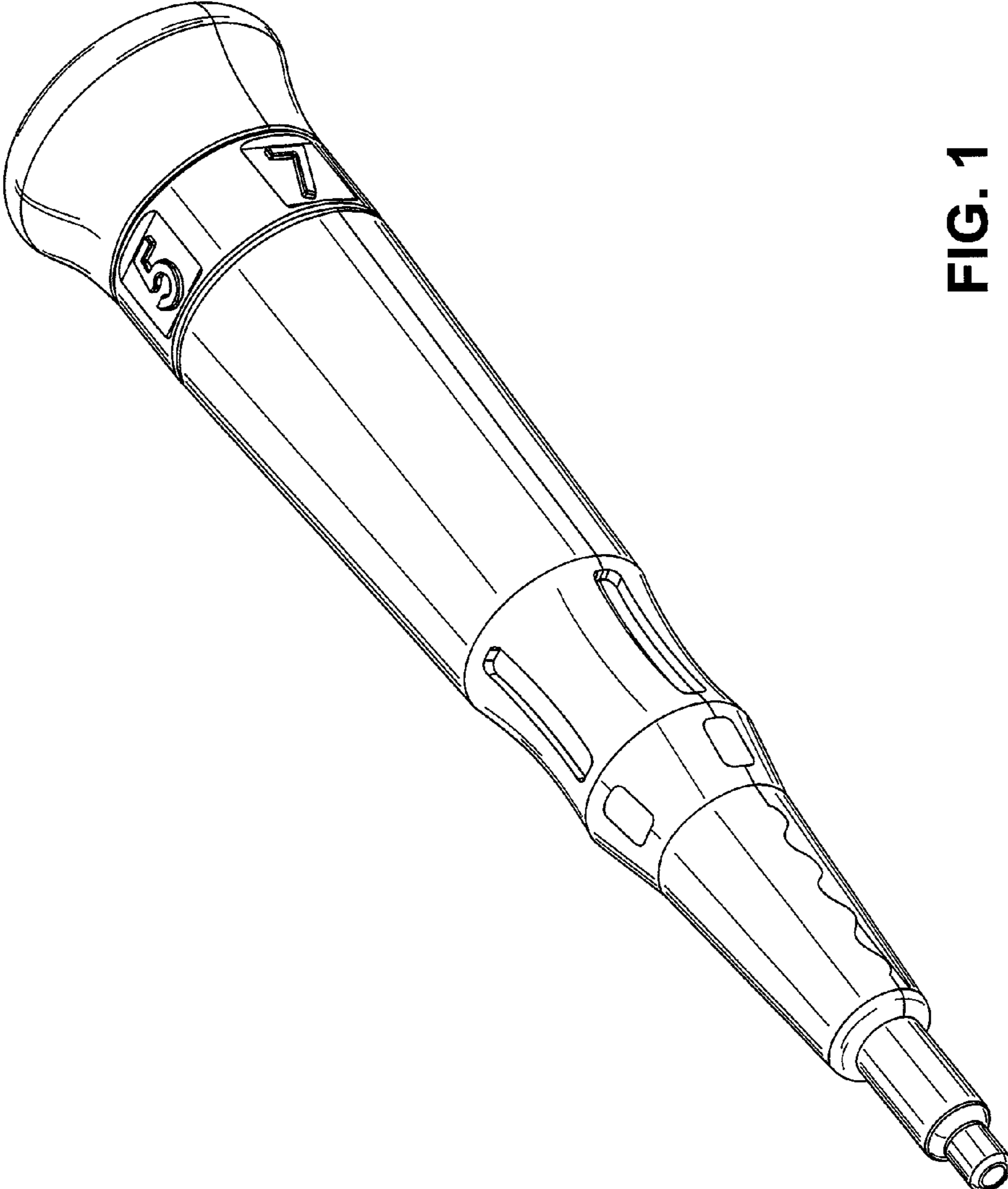


FIG. 1

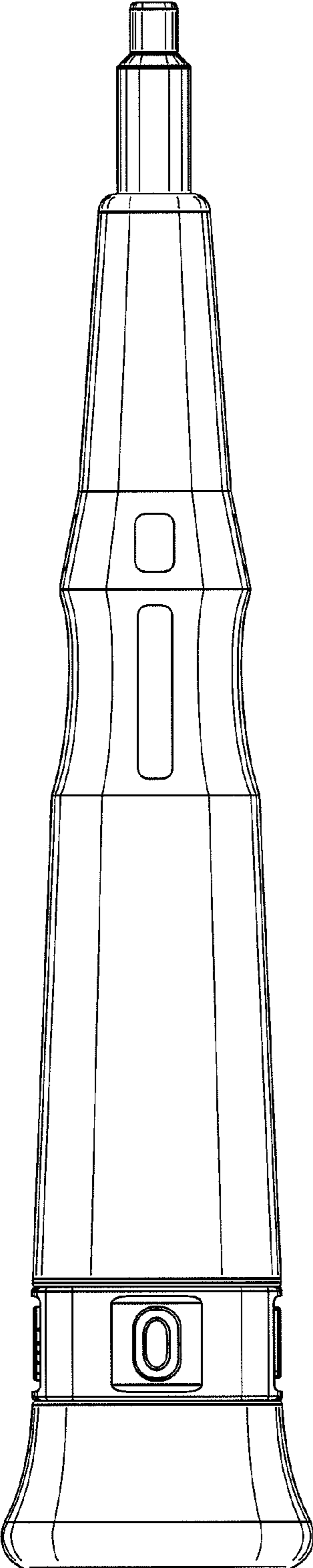


FIG. 2

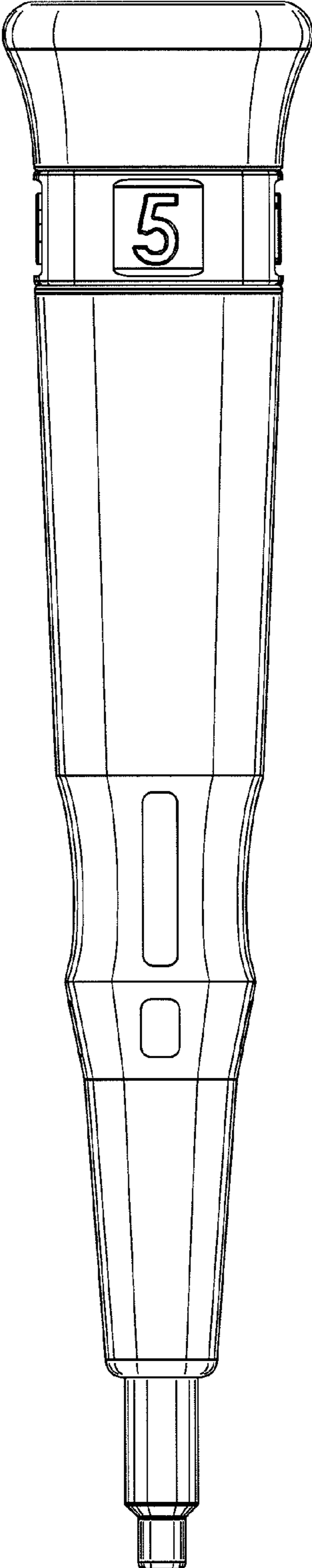


FIG. 3

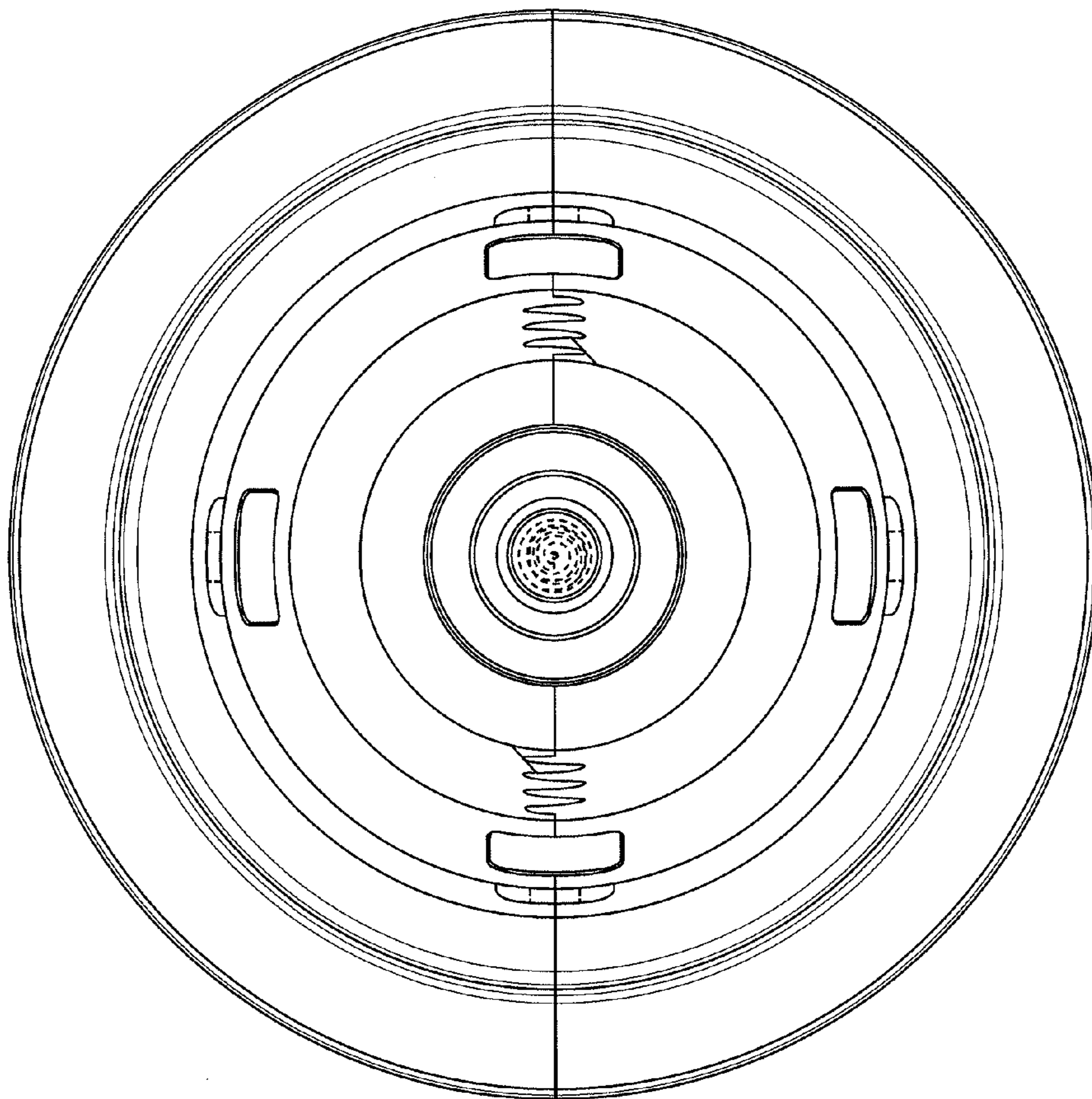


FIG. 4

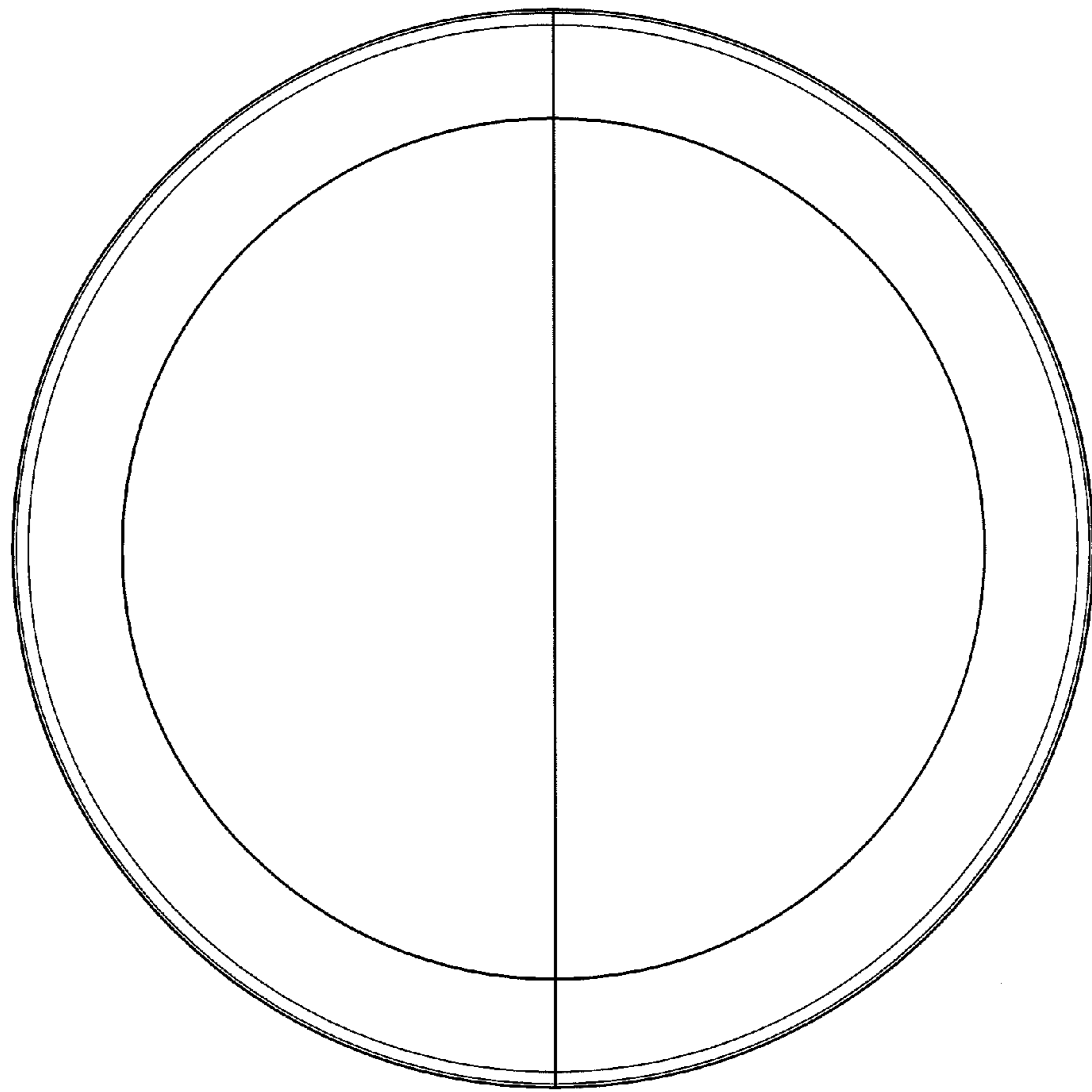


FIG. 5

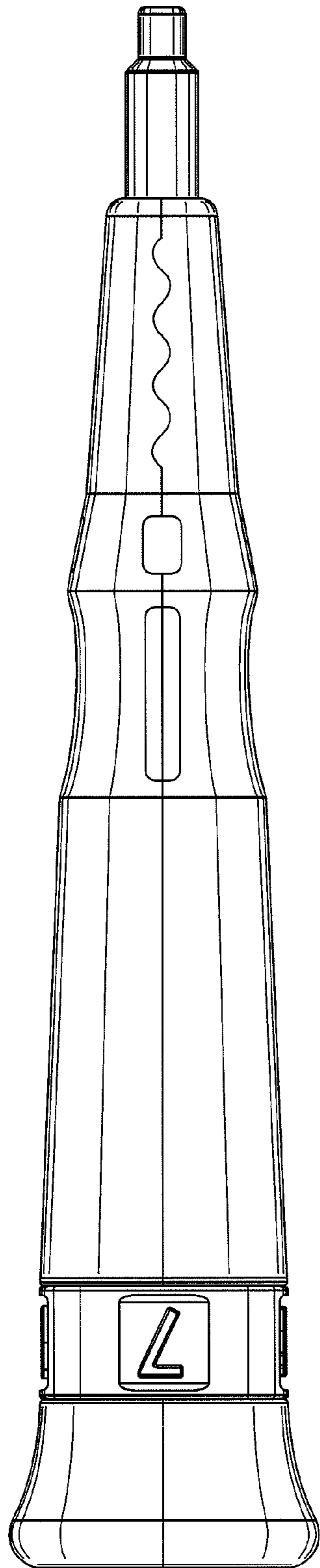


FIG. 6

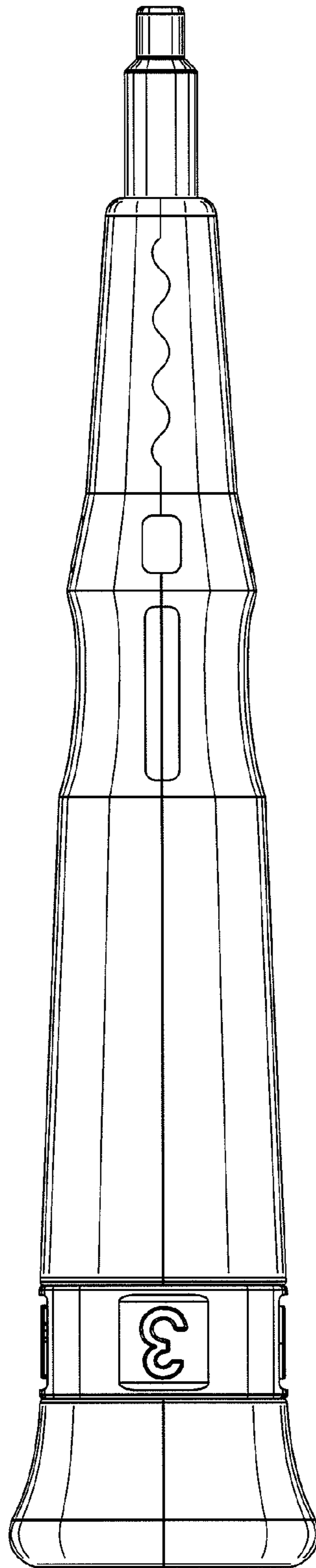


FIG. 7

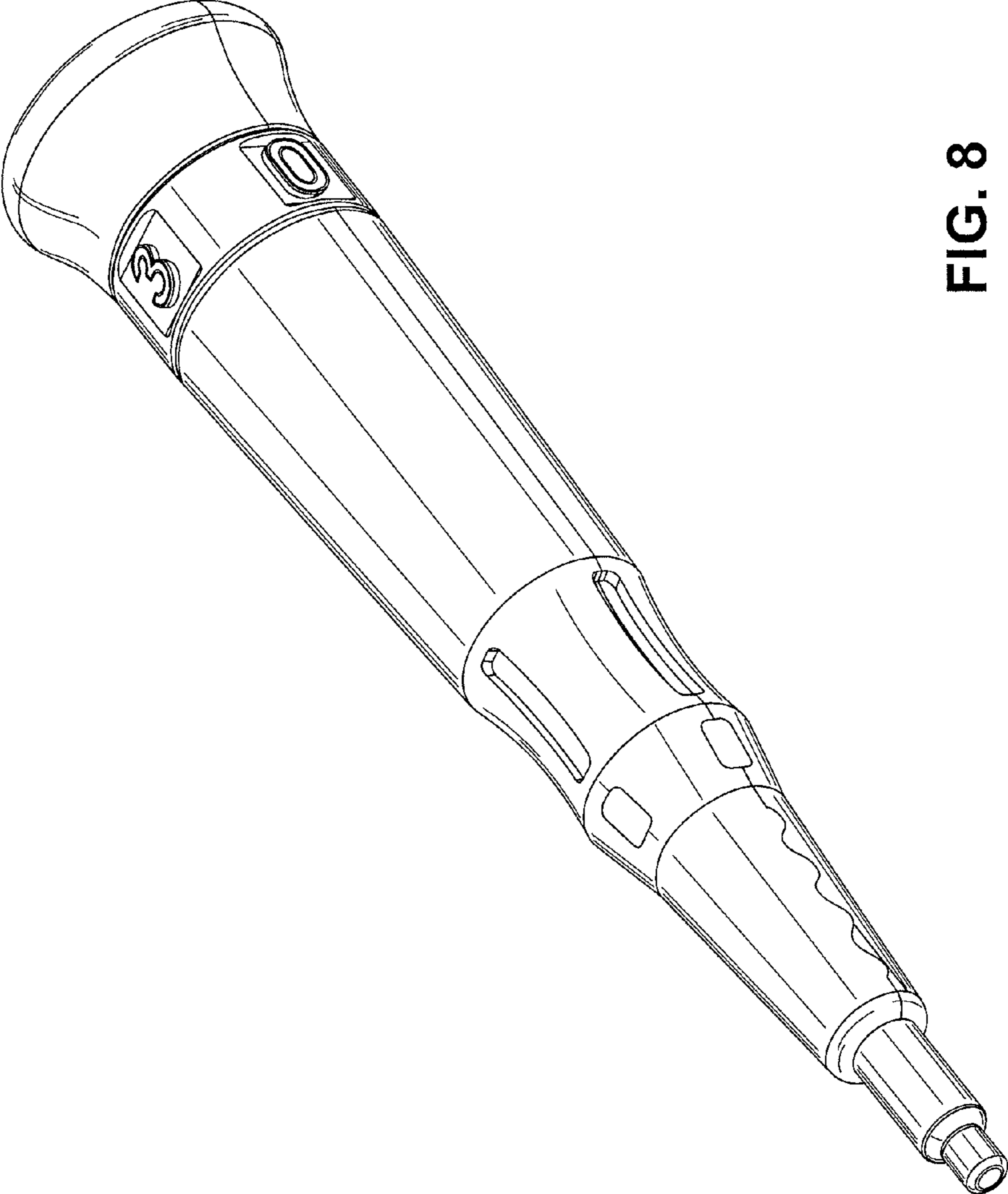


FIG. 8