



US00D700324S

(12) **United States Design Patent**  
**Affonce et al.**

(10) **Patent No.:** **US D700,324 S**

(45) **Date of Patent:** **\*\* Feb. 25, 2014**

(54) **ROTATING ELECTROSURGICAL HAND  
PIECE**

D598,543 S \* 8/2009 Vogel et al. .... D24/133  
8,061,014 B2 \* 11/2011 Smith et al. .... 606/169  
8,236,020 B2 8/2012 Smith et al.

(71) Applicant: **Gyrus ACMI, Inc.**, Southborough, MA  
(US)

(72) Inventors: **Derek A. Affonce**, Uxbridge, MA (US);  
**Mandred Held**, Hamberg (DE)

(73) Assignee: **Gyrus ACMI, Inc.**, Southborough, MA  
(US)

(\*\*) Term: **14 Years**

(21) Appl. No.: **29/439,461**

(22) Filed: **Dec. 11, 2012**

(51) **LOC (10) Cl.** ..... **24-02**

(52) **U.S. Cl.**  
USPC ..... **D24/144**

(58) **Field of Classification Search**  
USPC ..... D24/133, 144, 146-147; D8/83, 107;  
200/332.2; 606/1, 32, 39-42, 45,  
606/169-170

See application file for complete search history.

(56) **References Cited**

**U.S. PATENT DOCUMENTS**

6,099,525 A \* 8/2000 Cosmescu ..... 606/32  
6,458,142 B1 \* 10/2002 Faller et al. .... 606/169  
D494,270 S \* 8/2004 Reschke ..... D24/144  
D495,051 S \* 8/2004 Reschke ..... D24/144  
D495,052 S \* 8/2004 Reschke ..... D24/144  
7,241,294 B2 \* 7/2007 Reschke ..... 606/41

**OTHER PUBLICATIONS**

“Covidien Unveils Sonicision™ Cordless Ultrasonic Dissection Device and iDrive™ Ultra Powered Stapling System at 2012 American College of Surgeons Clinical Congress”, Business Wire, Oct. 1, 2012. Retrieved from <http://investor.covidien.com/phoenix.zhtml?c=207592&p=irol-newsArticle&id=1739763>.

“Sonicision™ Cordless Ultrasonic Dissection Device: Efficient Assembly Set Up Animation.” (c) 2012. Retrieved from <http://www.covidien.com/videos/pages.aspx?page=videodetail&video=563>.

\* cited by examiner

*Primary Examiner* — Wan Laymon

(74) *Attorney, Agent, or Firm* — Bonnie R. Shaw; Eric Kurtycz

(57) **CLAIM**

The ornamental design for a rotating electrosurgical hand piece, as shown and described.

**DESCRIPTION**

FIG. 1 is a side perspective view of the rotating electrosurgical hand piece of the medical instrument, showing my new design;

FIG. 2 is a front view thereof;

FIG. 3 is a rear view thereof;

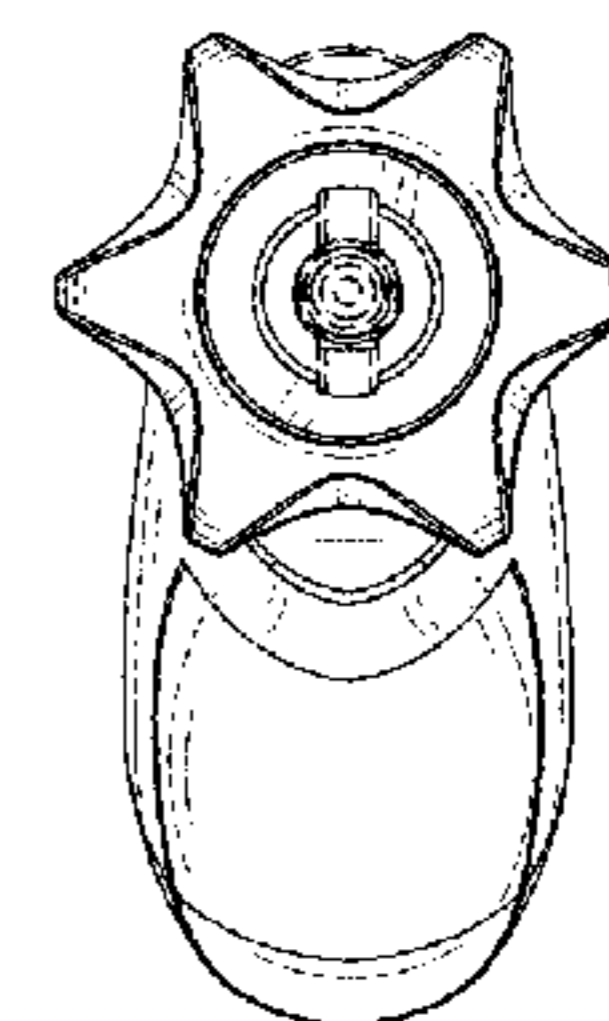
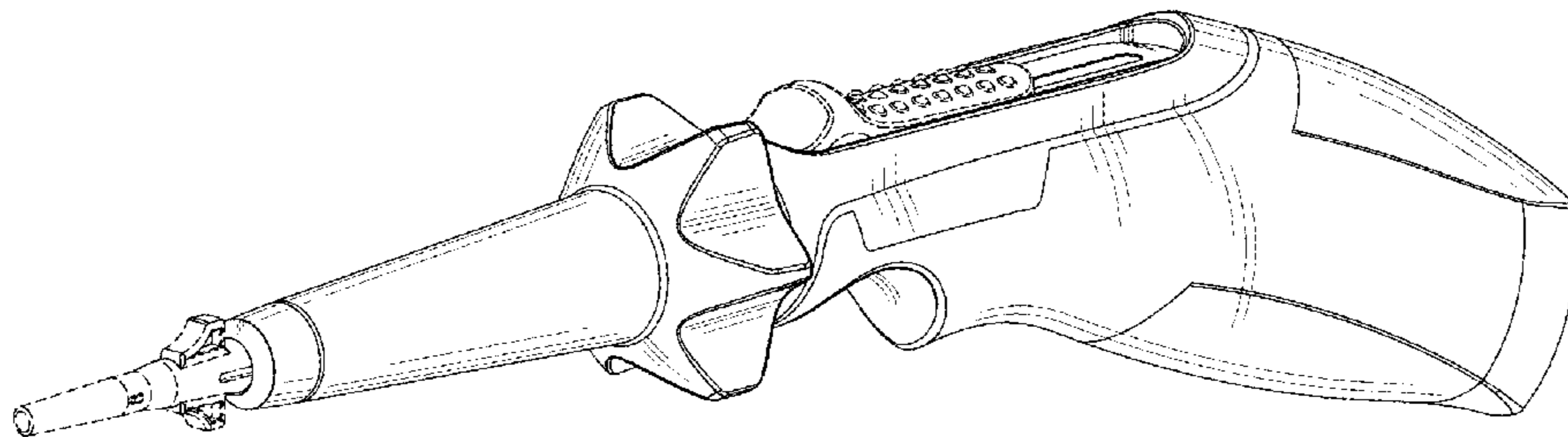
FIG. 4 is a top view thereof;

FIG. 5 is a bottom view thereof; and,

FIG. 6 is a left side view thereof, the right side view (not shown) being a mirror image of the left side view.

The broken lines are included for the purpose of illustrating environmental structure and form no part of the claimed design.

**1 Claim, 3 Drawing Sheets**



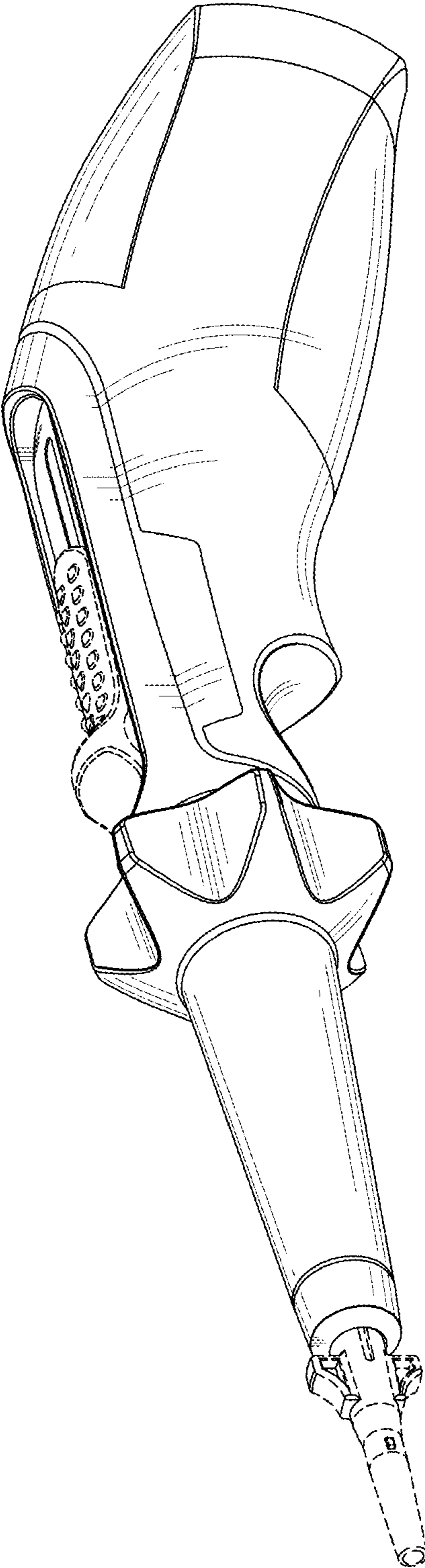


Fig-1

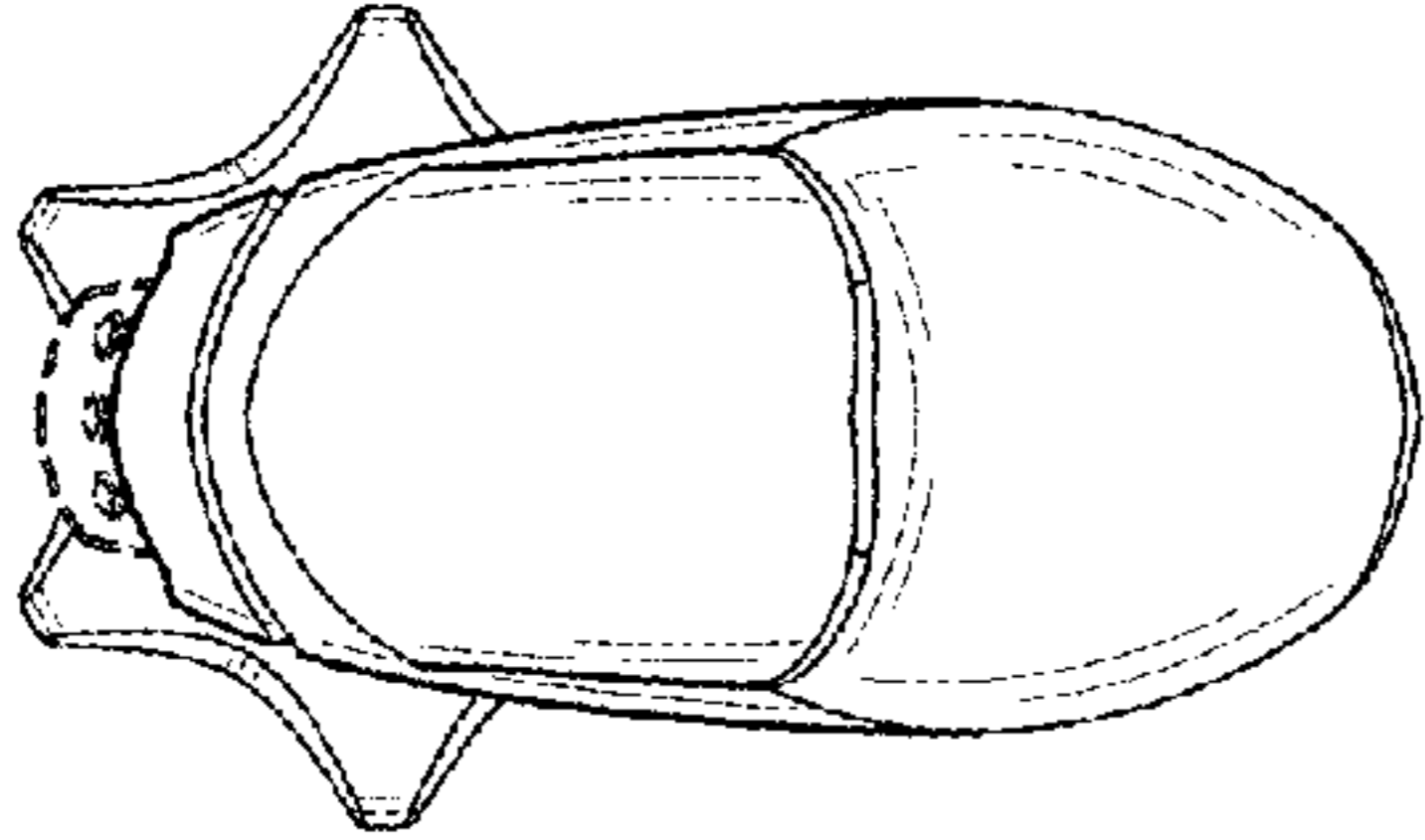


Fig-3

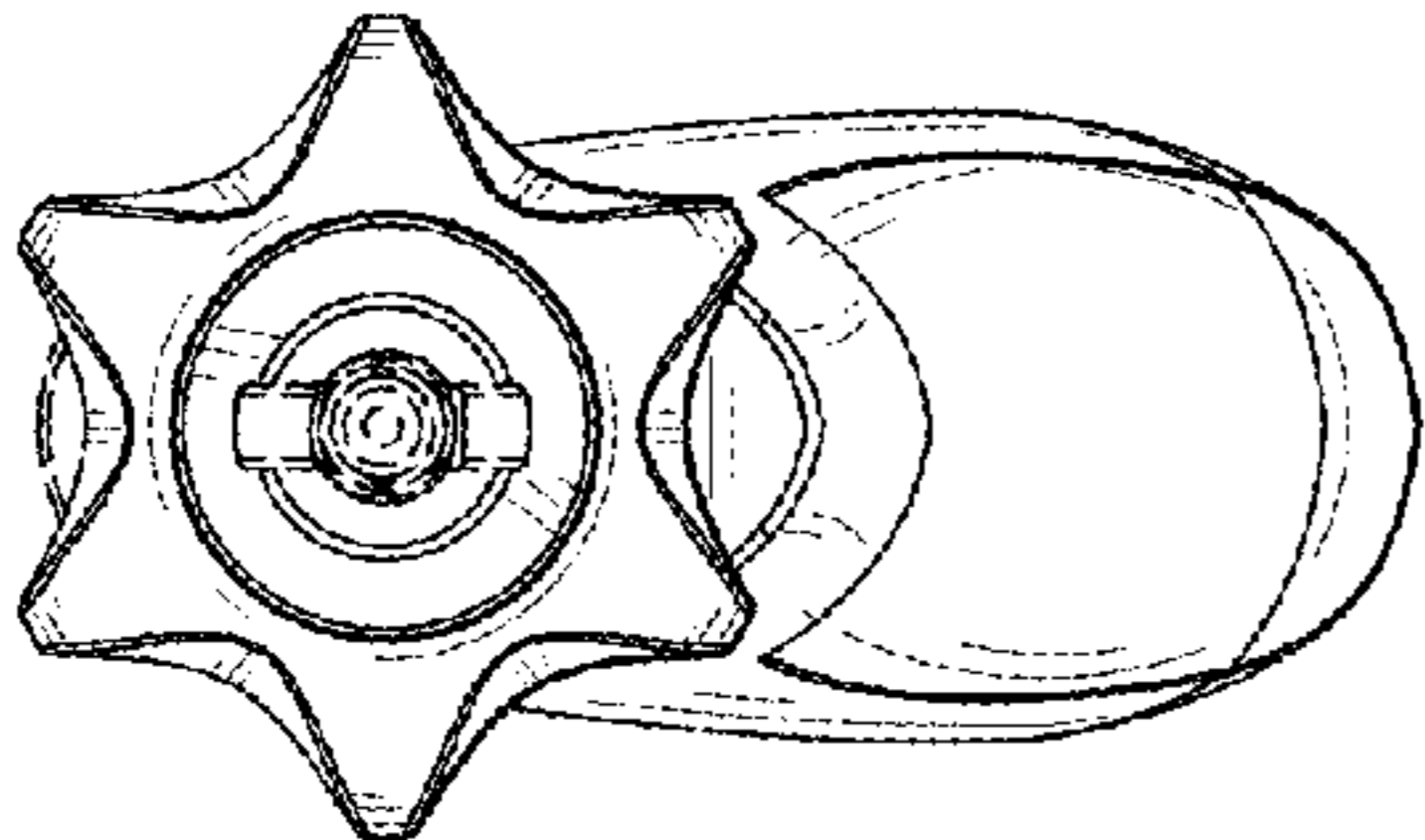


Fig-2

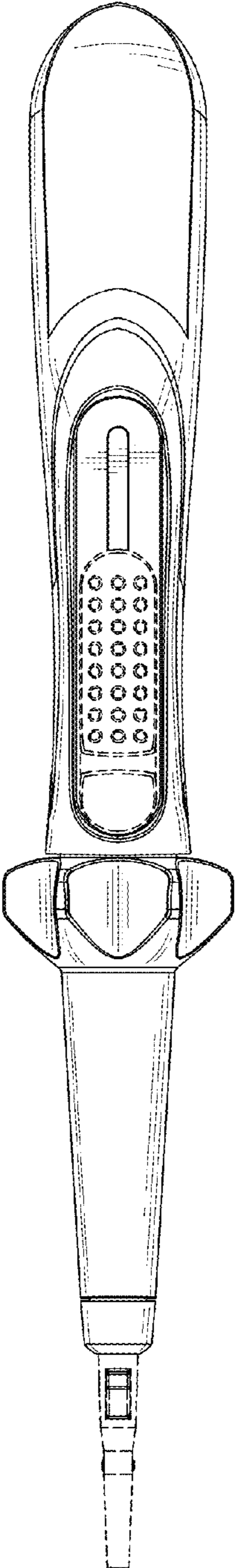


Fig-4

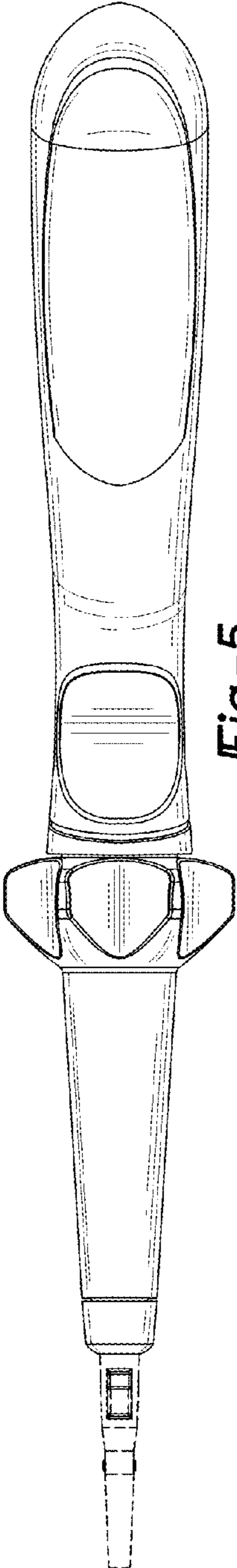


Fig-5

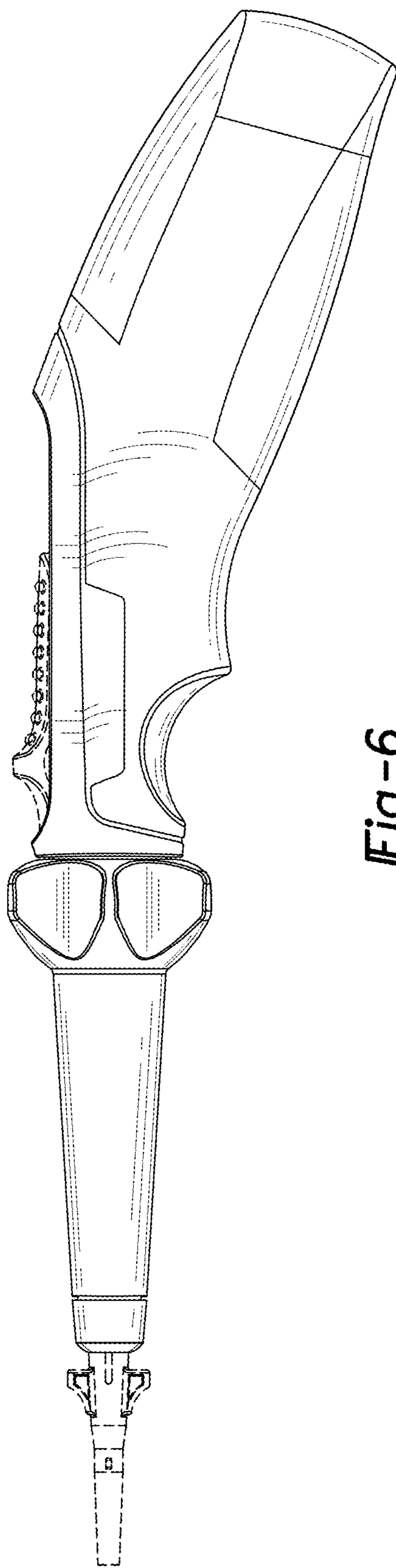


Fig-6