



US00D700321S

(12) **United States Design Patent**  
**Strong**

(10) **Patent No.:** **US D700,321 S**

(45) **Date of Patent:** **\*\* Feb. 25, 2014**

(54) **ADAPTER FOR A LIQUID DISPENSING SYRINGE**

2,952,255 A 9/1960 Hein, Jr.  
3,149,717 A 9/1964 Castelli  
3,237,815 A 3/1966 Ogle  
4,067,332 A 1/1978 O'Leary

(71) Applicant: **Nordson Corporation**, Westlake, OH (US)

(Continued)

(72) Inventor: **Warren N. Strong**, Hope, RI (US)

**FOREIGN PATENT DOCUMENTS**

(73) Assignee: **Nordson Corporation**, Westlake, OH (US)

GB 2020254 A 11/1979  
JP 5208157 A 8/1993

(Continued)

(\*\*) Term: **14 Years**

**OTHER PUBLICATIONS**

(21) Appl. No.: **29/459,348**

European Patent Office, Invitation to Pay Additional Fees in PCT Application No. PCT/US2007/070971, Dec. 13, 2007.

(22) Filed: **Jun. 28, 2013**

(Continued)

**Related U.S. Application Data**

(62) Division of application No. 29/422,820, filed on May 24, 2012, now Pat. No. Des. 685,467, and a division of application No. 29/367,355, filed on Aug. 6, 2010, now Pat. No. Des. 663,023, and a division of application No. 29/326,873, filed on Oct. 27, 2008, now Pat. No. Des. 623,291, and a division of application No. 29/280,974, filed on Jun. 12, 2007, now Pat. No. Des. 588,693.

*Primary Examiner* — David Muller

(74) *Attorney, Agent, or Firm* — Wood, Herron & Evans, L.L.P.

(51) **LOC (10) Cl.** ..... **24-02**

(52) **U.S. Cl.**  
USPC ..... **D24/130**

(58) **Field of Classification Search**  
USPC ..... D24/127–131, 112–114, 133, 186;  
606/181, 185; 604/232, 187, 158,  
604/164.08, 192, 263, 163, 181, 184, 198,  
604/227, 411; 600/101, 139, 143;  
128/200.24, 207.14, 207.15; D9/435,  
D9/445, 453

See application file for complete search history.

(57) **CLAIM**

The ornamental design for an adapter for a liquid dispensing syringe, as shown and described.

**DESCRIPTION**

FIG. 1 is a perspective view of an adapter for the liquid dispensing syringe.

FIG. 2 is a front view of the adapter with the rear view being a mirror image thereof.

FIG. 3 is a right side view of the adapter with the left side view being a mirror image thereof.

FIG. 4 is a top view of the adapter; and, FIG. 5 is a bottom view of the adapter.

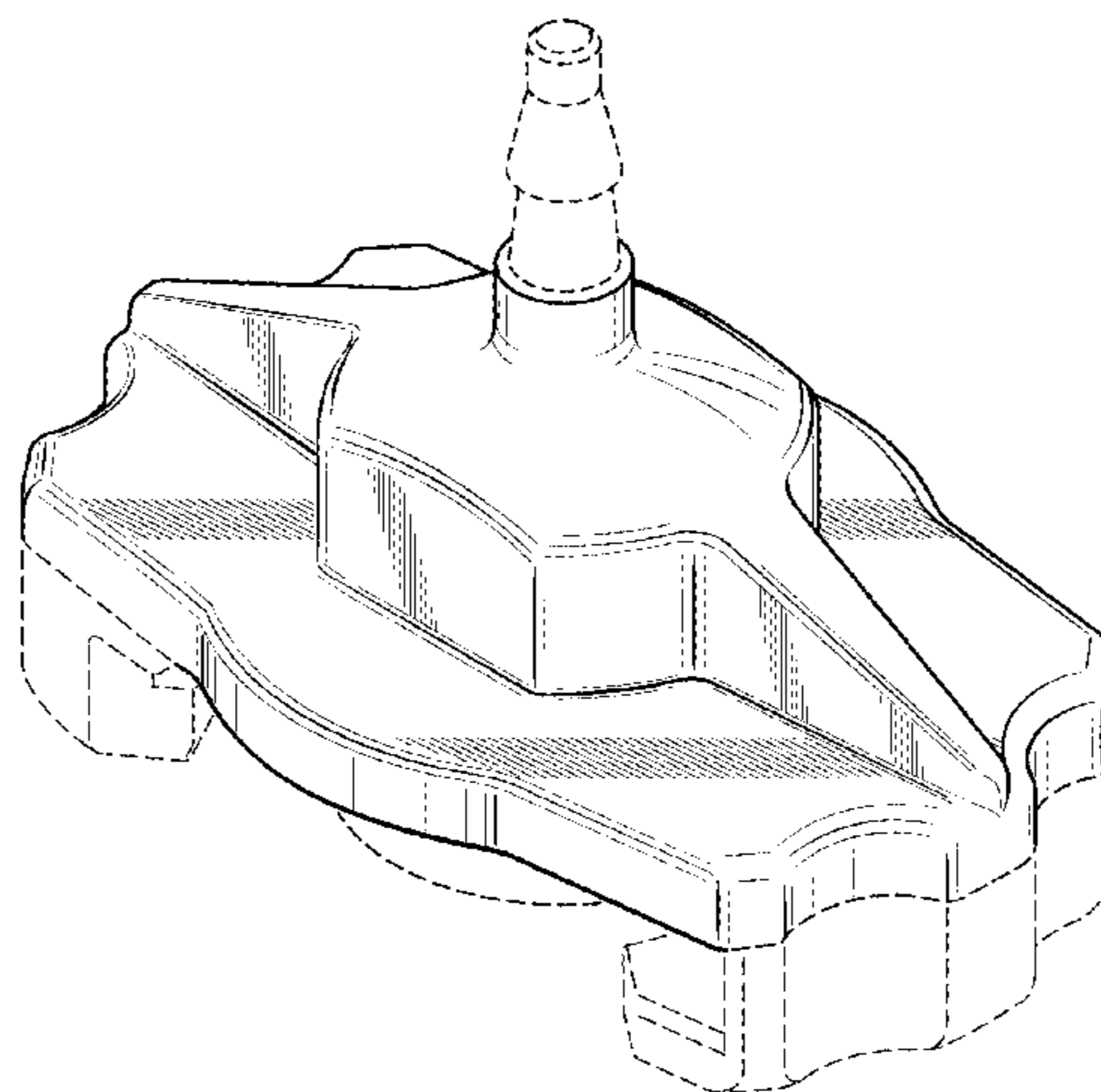
The broken lines in the figures are shown for the purpose of illustrating boundaries of the claimed design and the areas inside the broken line boundaries form no part of the claimed design.

(56) **References Cited**

**U.S. PATENT DOCUMENTS**

2,830,586 A 4/1958 Dann et al.

**1 Claim, 2 Drawing Sheets**



(56)

References Cited

U.S. PATENT DOCUMENTS

D262,739 S 1/1982 Nitshke  
 4,588,403 A 5/1986 Weiss et al.  
 4,708,270 A 11/1987 Ruesch  
 D294,640 S 3/1988 Wicken et al.  
 D302,206 S 7/1989 McAlister et al.  
 D303,010 S 8/1989 Jabbusch  
 D306,069 S 2/1990 Kelly et al.  
 D321,252 S 10/1991 Jepson et al.  
 D321,759 S 11/1991 Buswell et al.  
 5,098,416 A 3/1992 Imonti  
 D338,957 S 8/1993 de Faire et al.  
 5,238,003 A 8/1993 Baidwan et al.  
 5,273,187 A 12/1993 Suzuki  
 5,509,903 A 4/1996 Grendahl et al.  
 5,531,710 A 7/1996 Dang et al.  
 D401,324 S 11/1998 Hjertman et al.  
 D425,198 S 5/2000 Porta  
 D427,308 S 6/2000 Zinger  
 D429,812 S 8/2000 Hjertman et al.  
 D431,864 S 10/2000 Jansen  
 6,221,041 B1\* 4/2001 Russo ..... 604/82  
 D447,797 S 9/2001 Odell et al.  
 D447,799 S 9/2001 Jun  
 6,296,625 B1 10/2001 Vetter et al.  
 D472,316 S 3/2003 Douglas et al.  
 D495,416 S 8/2004 Dimeo et al.  
 D496,101 S 9/2004 Davison  
 D508,202 S\* 8/2005 Dobson et al. .... D9/447  
 6,984,222 B1 1/2006 Hitchins et al.  
 D518,373 S 4/2006 Schulthess  
 7,070,581 B2 7/2006 Manera et al.  
 D530,009 S\* 10/2006 Lyman et al. .... D24/129  
 D534,796 S 1/2007 Falkenburg  
 D540,466 S 4/2007 Homra et al.  
 D543,278 S 5/2007 Numata et al.  
 D558,340 S 12/2007 Hochman et al.  
 D581,048 S 11/2008 Kawamura  
 D584,407 S 1/2009 Kawamura

D588,693 S 3/2009 Strong et al.  
 D596,487 S 7/2009 Batton et al.  
 7,611,502 B2\* 11/2009 Daly ..... 604/411  
 D608,000 S 1/2010 Kawamura  
 D616,090 S 5/2010 Kawamura  
 D629,895 S 12/2010 Demleitner et al.  
 D630,318 S 1/2011 Goodwin  
 D630,732 S 1/2011 Lev et al.  
 D637,713 S\* 5/2011 Nord et al. .... D24/129  
 D649,242 S 11/2011 Kosinski et al.  
 D655,017 S\* 2/2012 Mosler et al. .... D24/231  
 D657,462 S 4/2012 Siroky  
 D661,598 S\* 6/2012 Battisti ..... D9/724  
 D668,760 S 10/2012 Kawamura  
 8,435,210 B2\* 5/2013 Zinger et al. .... 604/82  
 D689,187 S\* 9/2013 Kruger ..... D24/127  
 2001/0021823 A1 9/2001 Nemoto  
 2002/0123736 A1 9/2002 Fowles et al.  
 2004/0044327 A1\* 3/2004 Hasegawa ..... 604/414  
 2004/0127888 A1\* 7/2004 O'Neil et al. .... 606/1  
 2005/0029306 A1 2/2005 Brennan  
 2006/0089594 A1 4/2006 Landau  
 2007/0000951 A1 1/2007 Springhom  
 2007/0270778 A9\* 11/2007 Zinger et al. .... 604/523  
 2010/0198015 A1\* 8/2010 Greenburg et al. .... 600/131

FOREIGN PATENT DOCUMENTS

JP 7204557 A 8/1995  
 JP 8105197 A 4/1996  
 JP 8266624 A 10/1996  
 JP 10118556 A 5/1998

OTHER PUBLICATIONS

European Patent Office, International Search Report and Written  
 Opinion in PCT Application Serial No. PCT/US2007/070971, Nov.  
 29, 2007.  
 Japanese Patent Office, Notification of Reason for Refusal in JP  
 Application No. 2009-515601, Nov. 6, 2012.

\* cited by examiner

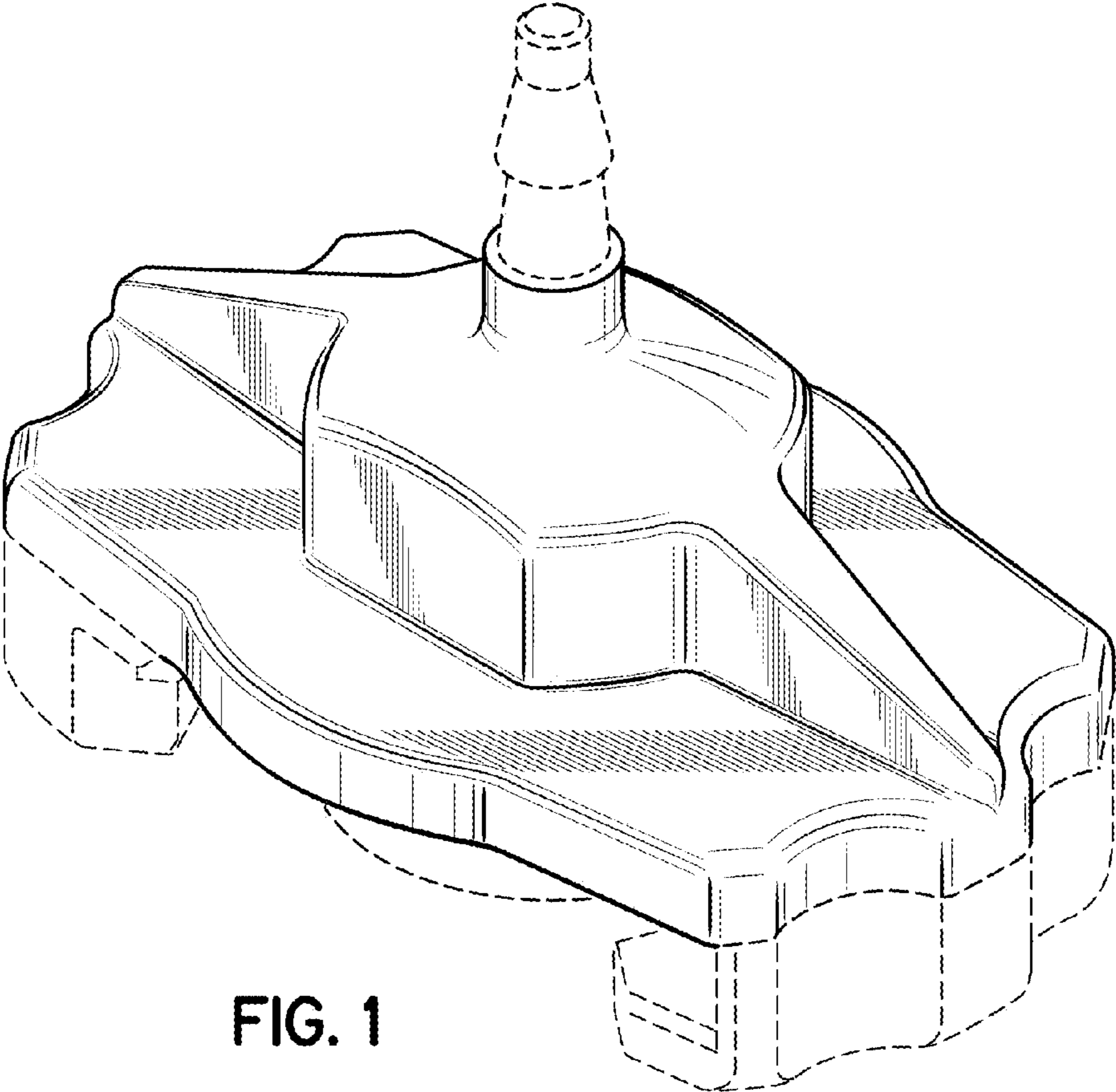


FIG. 1

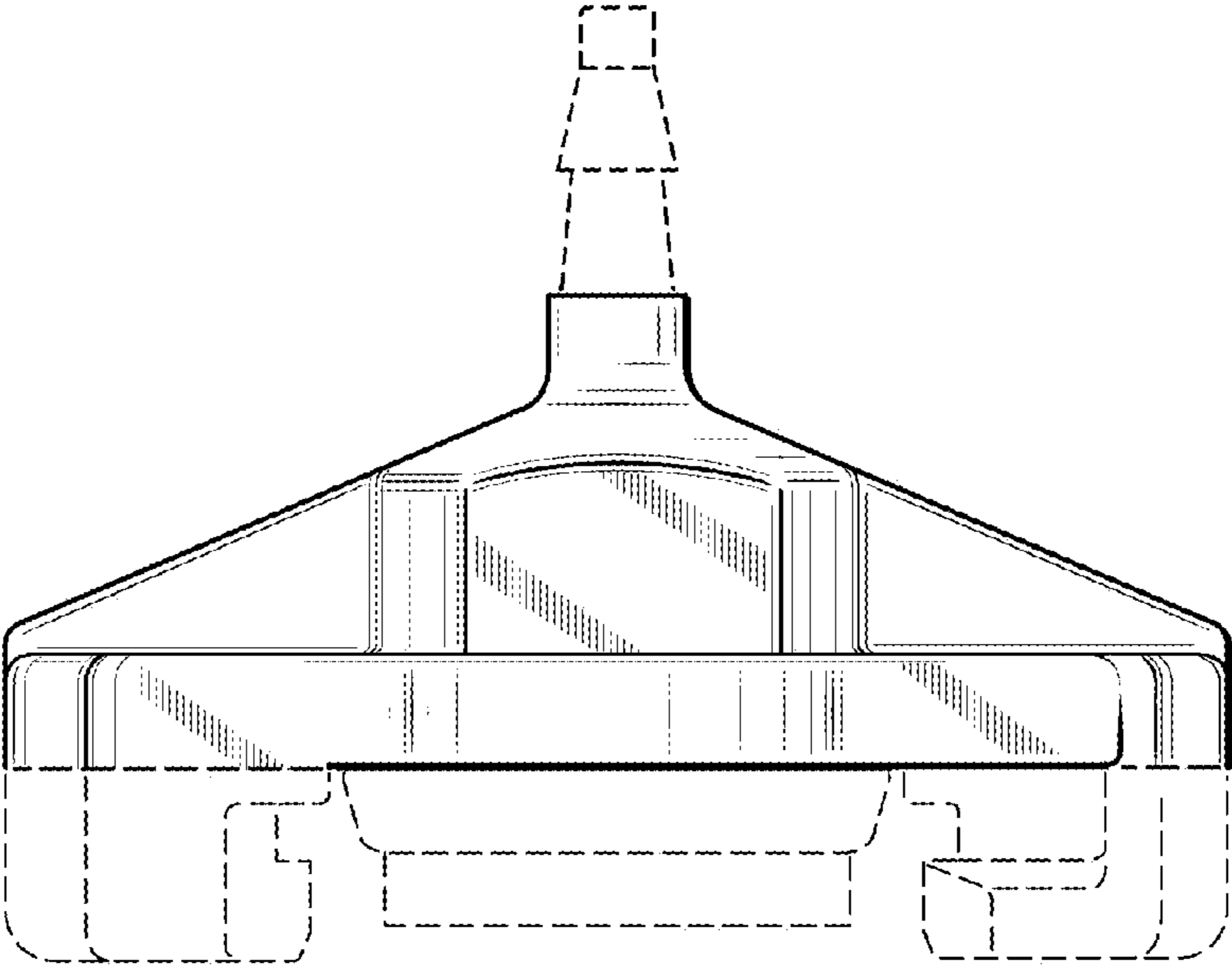


FIG. 2

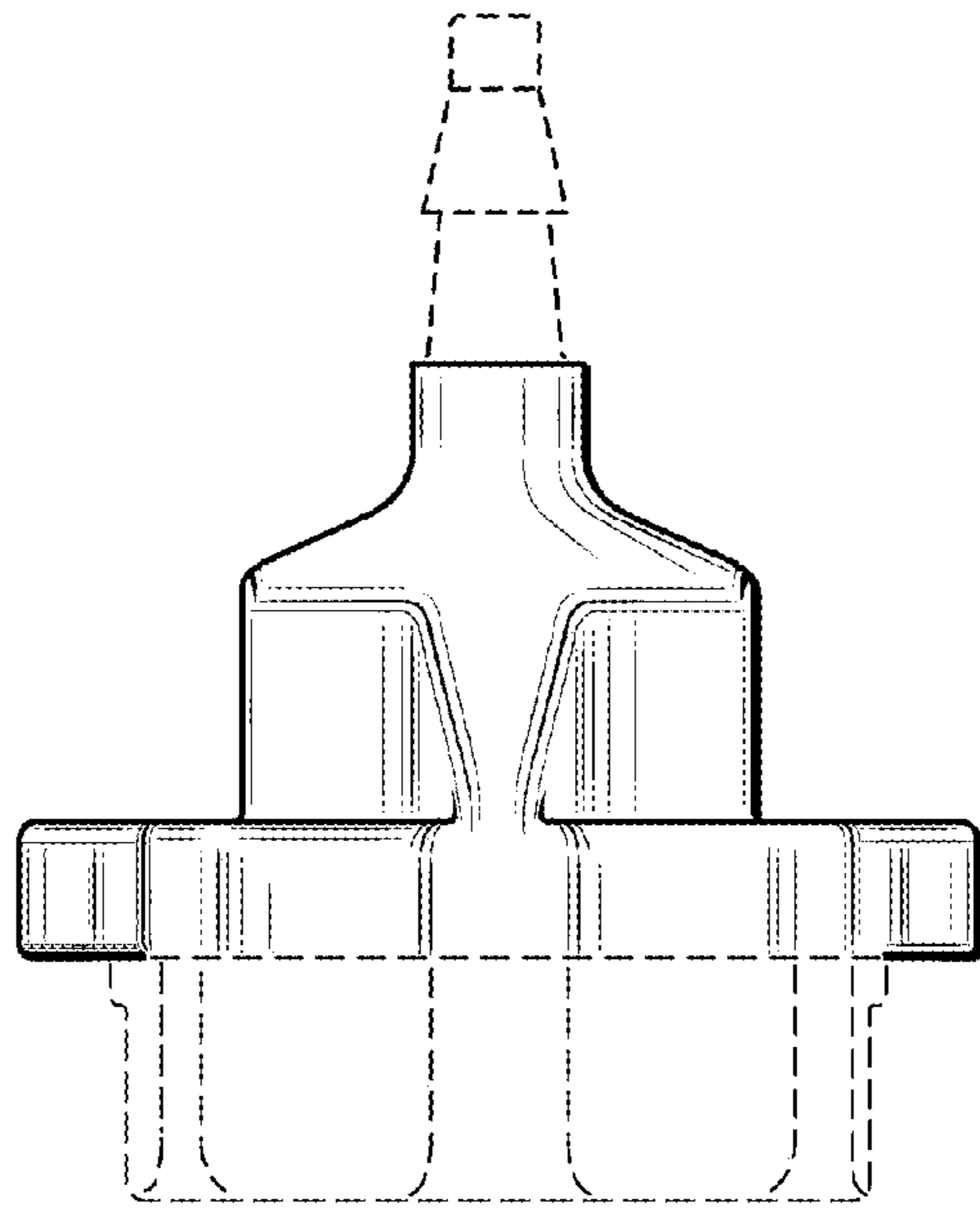


FIG. 3

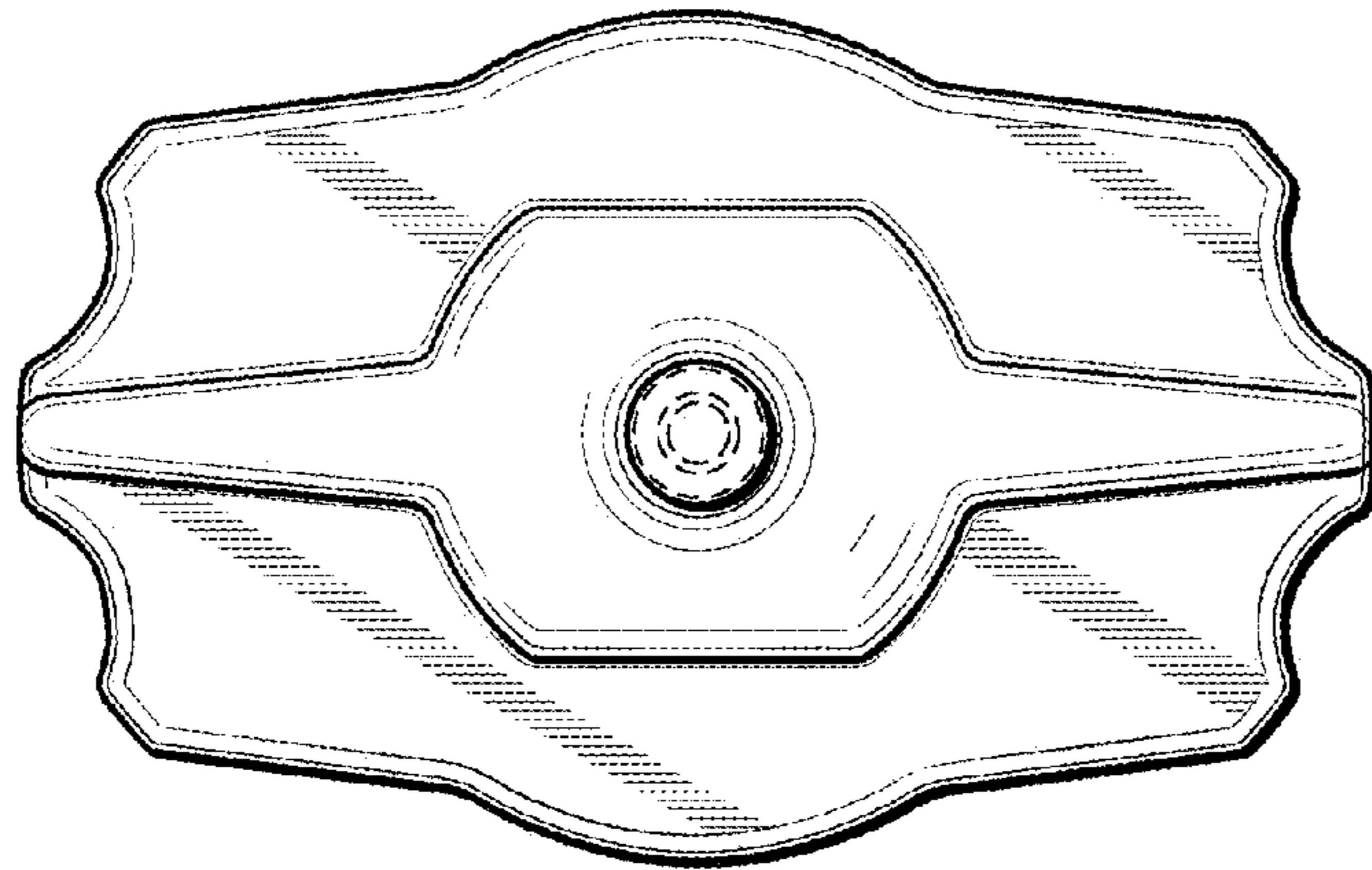


FIG. 4

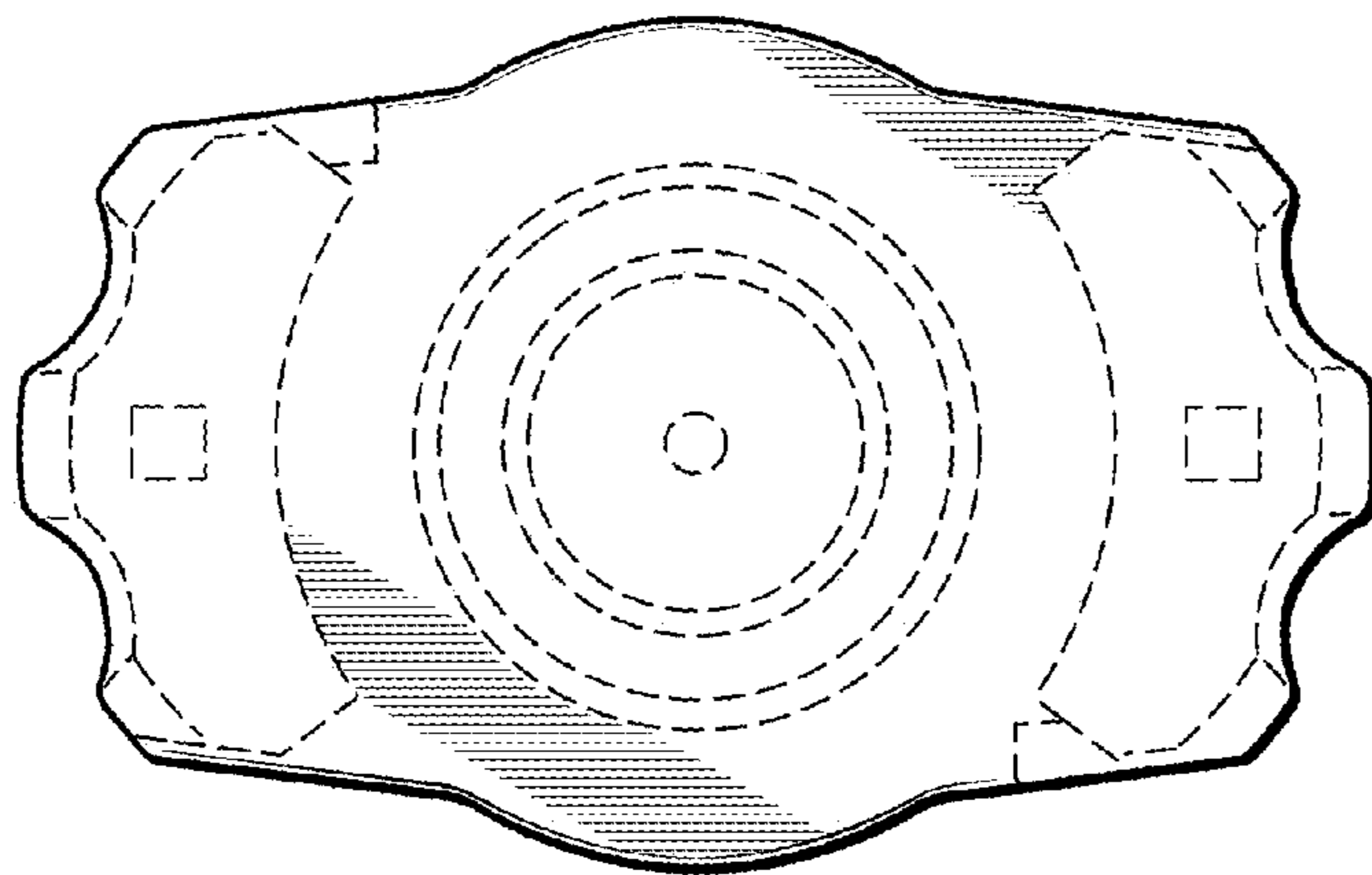


FIG. 5