



US00D700318S

(12) **United States Design Patent**  
**Amoah et al.**

(10) **Patent No.:** **US D700,318 S**  
(45) **Date of Patent:** **\*\* Feb. 25, 2014**

(54) **CATHETER**

(75) Inventors: **Francis Amoah**, Reading (GB);  
**Dominic Griffiths**, Vale of Glamorgan  
(GB)

(73) Assignee: **Asalus Medical Instruments Limited**,  
Cardiff (GB)

(\*\*) Term: **14 Years**

(21) Appl. No.: **29/420,818**

(22) Filed: **May 14, 2012**

(30) **Foreign Application Priority Data**

Nov. 14, 2011 (EP) ..... 001301824-0002

(51) **LOC (10) Cl.** ..... **24-02**

(52) **U.S. Cl.**  
USPC ..... **D24/112**

(58) **Field of Classification Search**

USPC ..... D24/112-114, 133, 186, 130, 127;  
606/181, 185; 604/264, 272, 115,  
604/164.01-164.09, 533, 232, 187, 168.01,  
604/192, 19, 48, 93.01, 523, 524, 526;  
600/101, 139, 143; 128/200.24,  
128/207.14, 207.15

See application file for complete search history.

(56) **References Cited**

U.S. PATENT DOCUMENTS

D274,652	S	*	7/1984	DeVaughn	.....	D24/112
D340,111	S	*	10/1993	Yoshikawa	.....	D24/112
D355,031	S	*	1/1995	Yoshikawa	.....	D24/112
5,964,740	A	*	10/1999	Ouchi	.....	604/264
D423,670	S	*	4/2000	Scheuble et al.	.....	D24/130
D478,383	S	*	8/2003	Timm et al.	.....	D24/130
D582,552	S	*	12/2008	Berberich	.....	D24/133
7,594,911	B2	*	9/2009	Powers et al.	.....	604/533
D624,653	S	*	9/2010	Boillat	.....	D24/133
D630,734	S	*	1/2011	Speiser	.....	D24/133
D636,489	S	*	4/2011	D'Agostino et al.	.....	D24/130
D652,918	S	*	1/2012	Egli et al.	.....	D24/130
D679,803	S	*	4/2013	Carter	.....	D24/112

\* cited by examiner

*Primary Examiner* — David Muller

(74) *Attorney, Agent, or Firm* — King & Schickli, PLLC

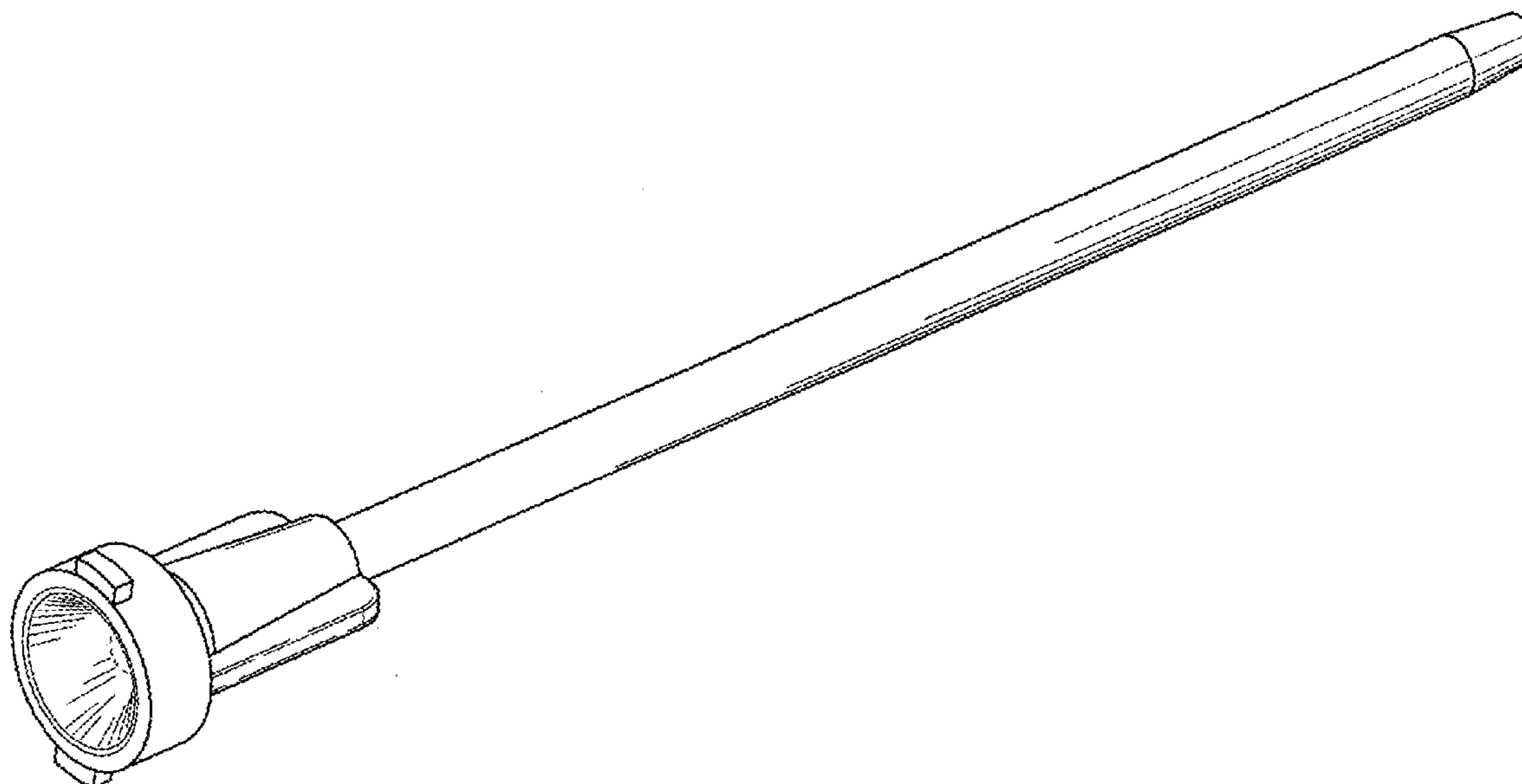
(57) **CLAIM**

The ornamental design of a catheter, as shown and described.

**DESCRIPTION**

FIG. 1 is a perspective view of a catheter;  
FIG. 2 is a side view of the catheter, the opposite side view  
being a mirror image thereof;  
FIG. 3 is a front view of the catheter; and,  
FIG. 4 is a rear view of the catheter.  
The broken line showing of parts of the drawings is included  
for the purpose of illustrating use and environment and forms  
no part of the claimed design.

**1 Claim, 4 Drawing Sheets**



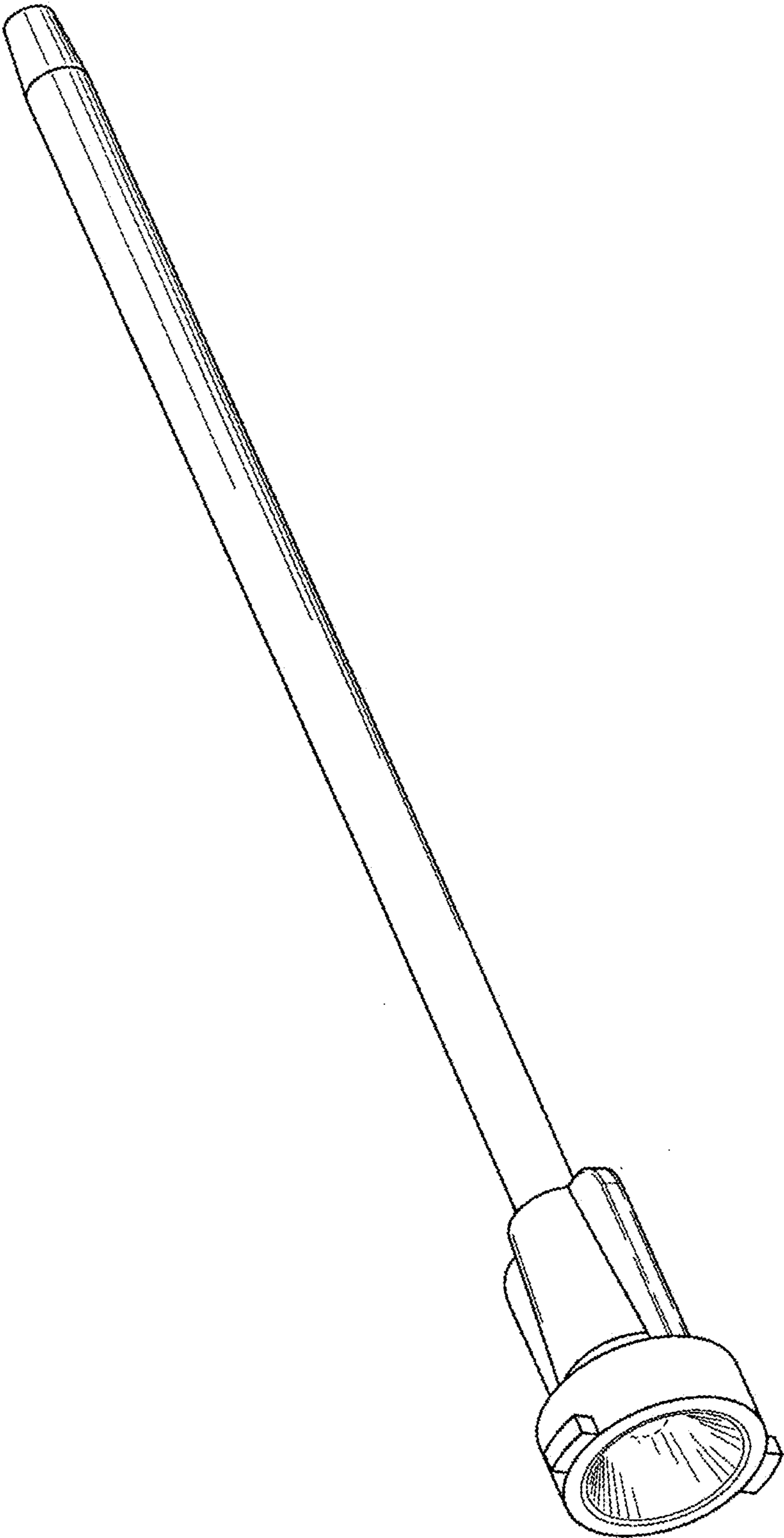


FIG. 1

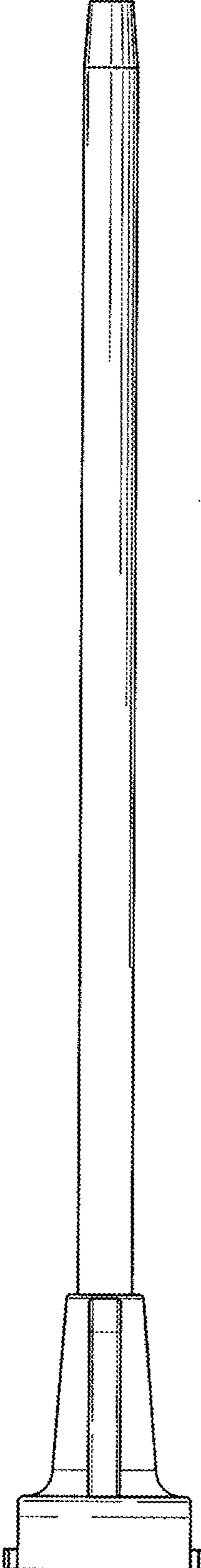


FIG. 2

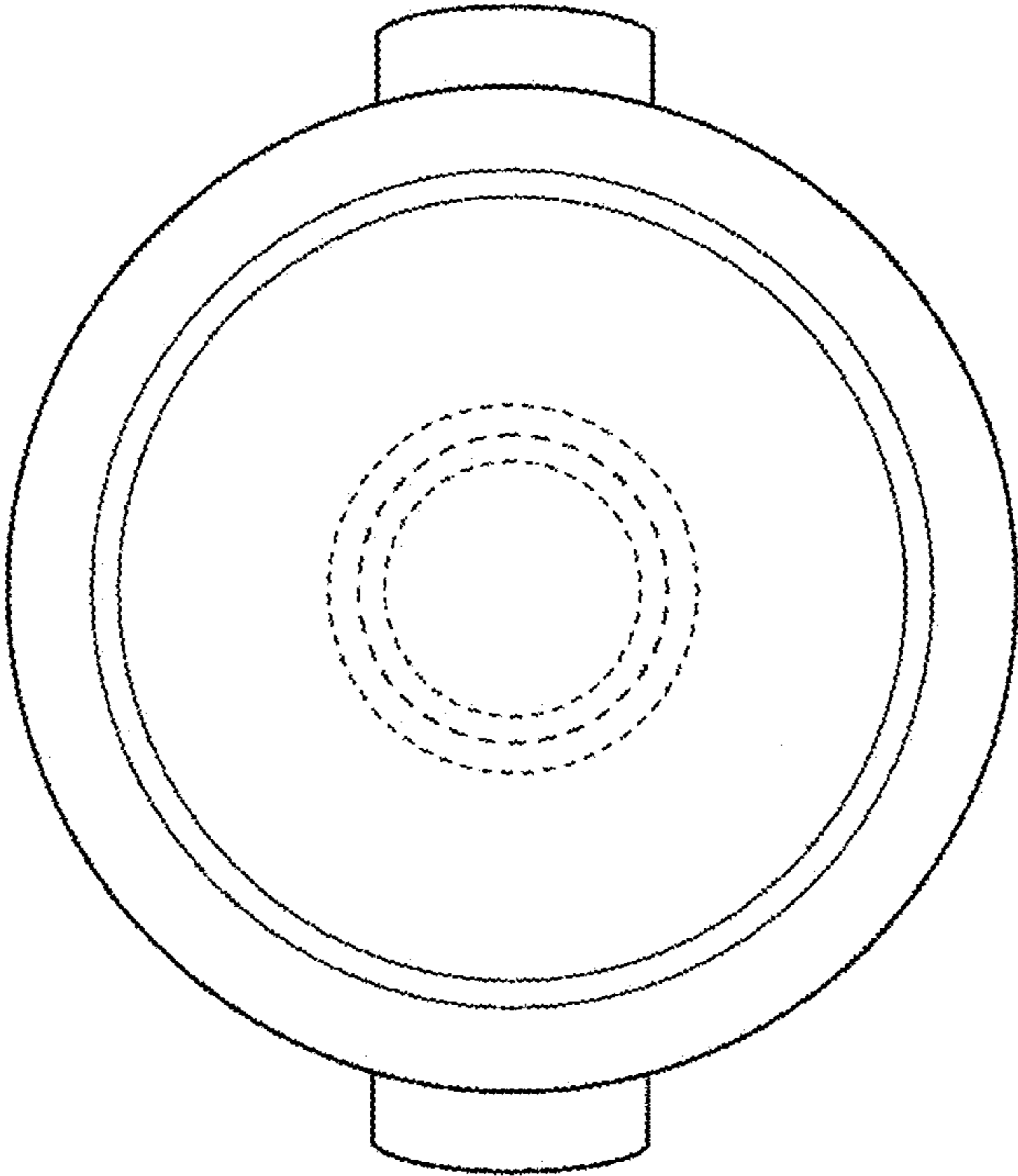


FIG. 3

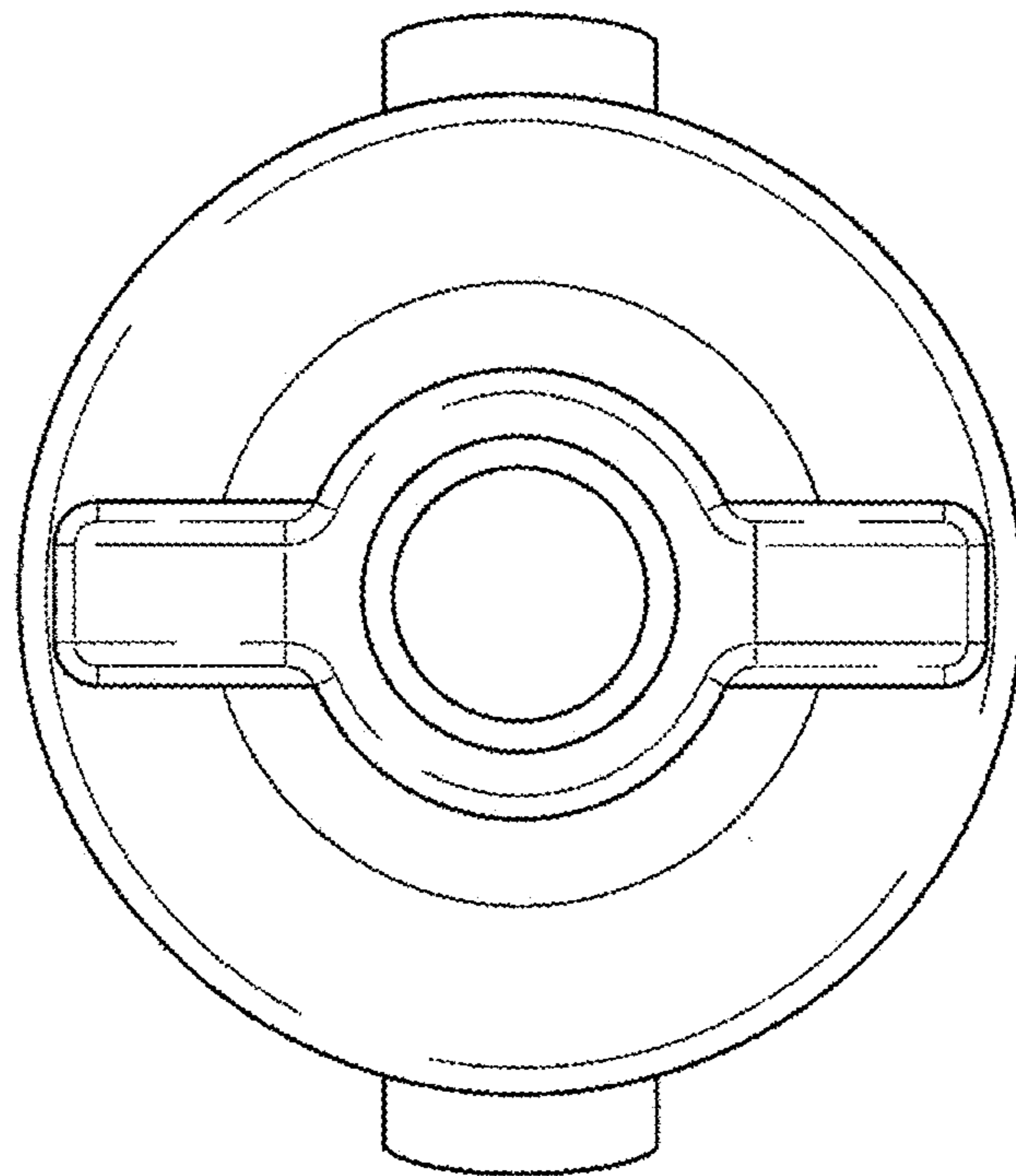


FIG. 4