



US00D700313S

(12) **United States Design Patent**
Coryell et al.

(10) **Patent No.:** **US D700,313 S**

(45) **Date of Patent:** **** Feb. 25, 2014**

(54) **CIRCLE BURNER ATTACHMENT FOR A PLASMA TORCH**

(71) Applicants: **Randy E. Coryell**, Fall Creek, OR (US);
John J. Jensen, Eugene, OR (US)

(72) Inventors: **Randy E. Coryell**, Fall Creek, OR (US);
John J. Jensen, Eugene, OR (US)

(**) Term: **14 Years**

(21) Appl. No.: **29/421,822**

(22) Filed: **Sep. 27, 2012**

(51) **LOC (10) Cl.** **23-03**

(52) **U.S. Cl.**
USPC **D23/415**

(58) **Field of Classification Search**
USPC D23/403-410, 415-422, 499, 345, 347,
D23/349; D7/332, 402, 407, 417; D15/144;
40/428, 798; 44/520, 530; 52/36.3;
126/201, 258, 500, 512, 540, 543, 544,
126/548, 555, 298; 160/DIG. 9; 219/549;
431/263, 273, 329; 266/70

See application file for complete search history.

(56) **References Cited**

U.S. PATENT DOCUMENTS

D16,762 S * 6/1886 Morrow D15/144
D30,781 S * 5/1899 Burdick D15/138
1,721,182 A * 7/1929 Jensen 83/603

D181,289 S * 10/1957 Gravenstine et al. D23/421
3,219,098 A * 11/1965 Fulmer 431/349
4,035,136 A * 7/1977 Howatt et al. 431/191
4,243,393 A * 1/1981 Christian 44/519
D270,754 S * 9/1983 Benzaria D15/144.1
6,103,184 A * 8/2000 Heck 266/70
6,391,248 B1 * 5/2002 Coryell et al. 266/70
D542,110 S * 5/2007 Mochizuki D8/71
D658,219 S * 4/2012 Coryell et al.
2011/0111356 A1 * 5/2011 Claerbout et al. 431/329
2011/0162264 A1 * 7/2011 Richey et al. 44/535

* cited by examiner

Primary Examiner — Karen S Acker

(74) *Attorney, Agent, or Firm* — Robert E. Howard

(57) **CLAIM**

The ornamental design for a circle burner attachment for a plasma torch, as shown and described.

DESCRIPTION

FIG. 1 is an isometric view of the circle burner attachment for a plasma torch of the present invention; FIG. 2 is a front elevation view thereof; FIG. 3 is a rear elevation view thereof; FIG. 4 is a top plan view thereof; FIG. 5 is a bottom plan view thereof; and, FIG. 6 is a left side elevation view thereof, the right side elevation view being a mirror image thereof.

1 Claim, 2 Drawing Sheets

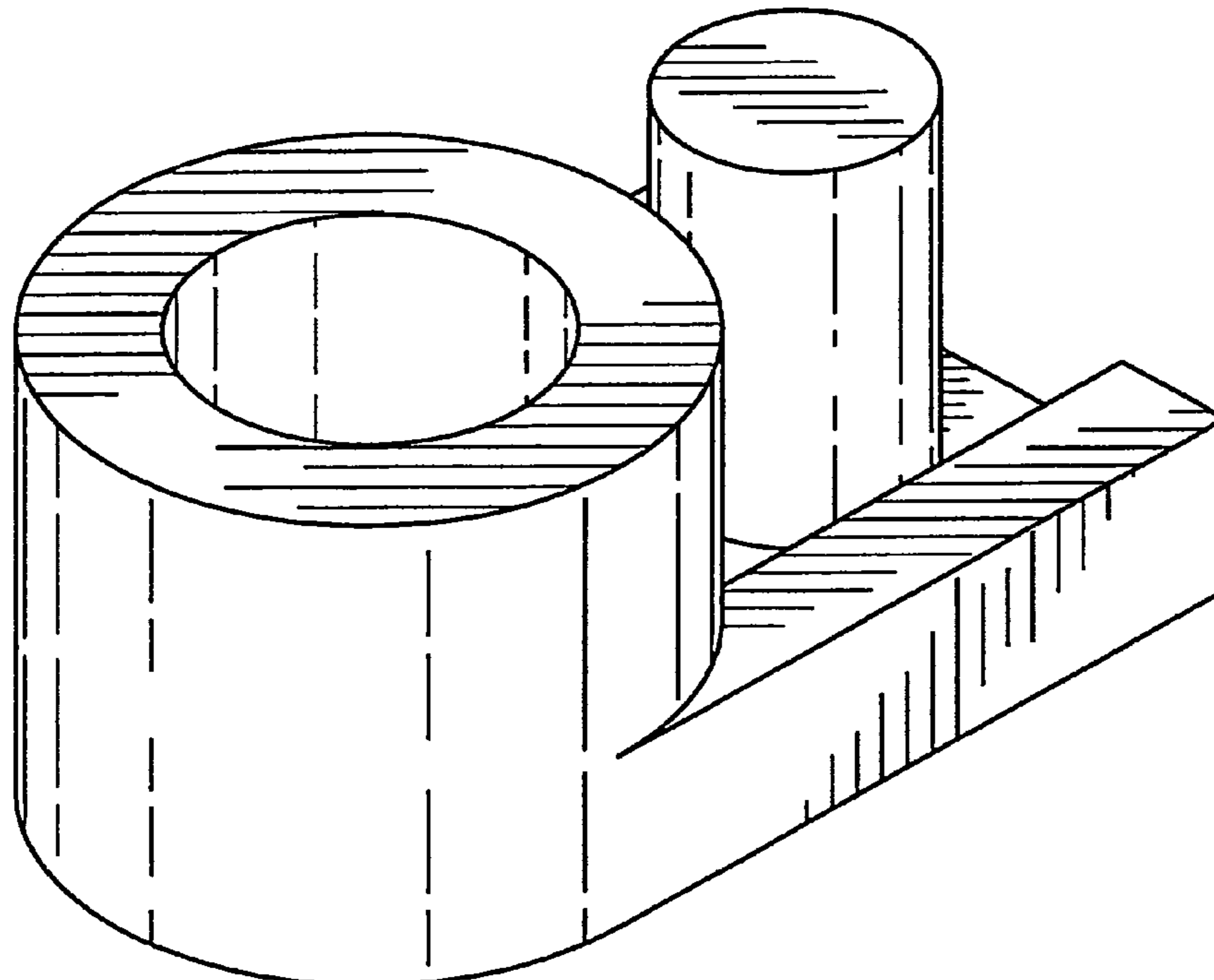


Fig. 1

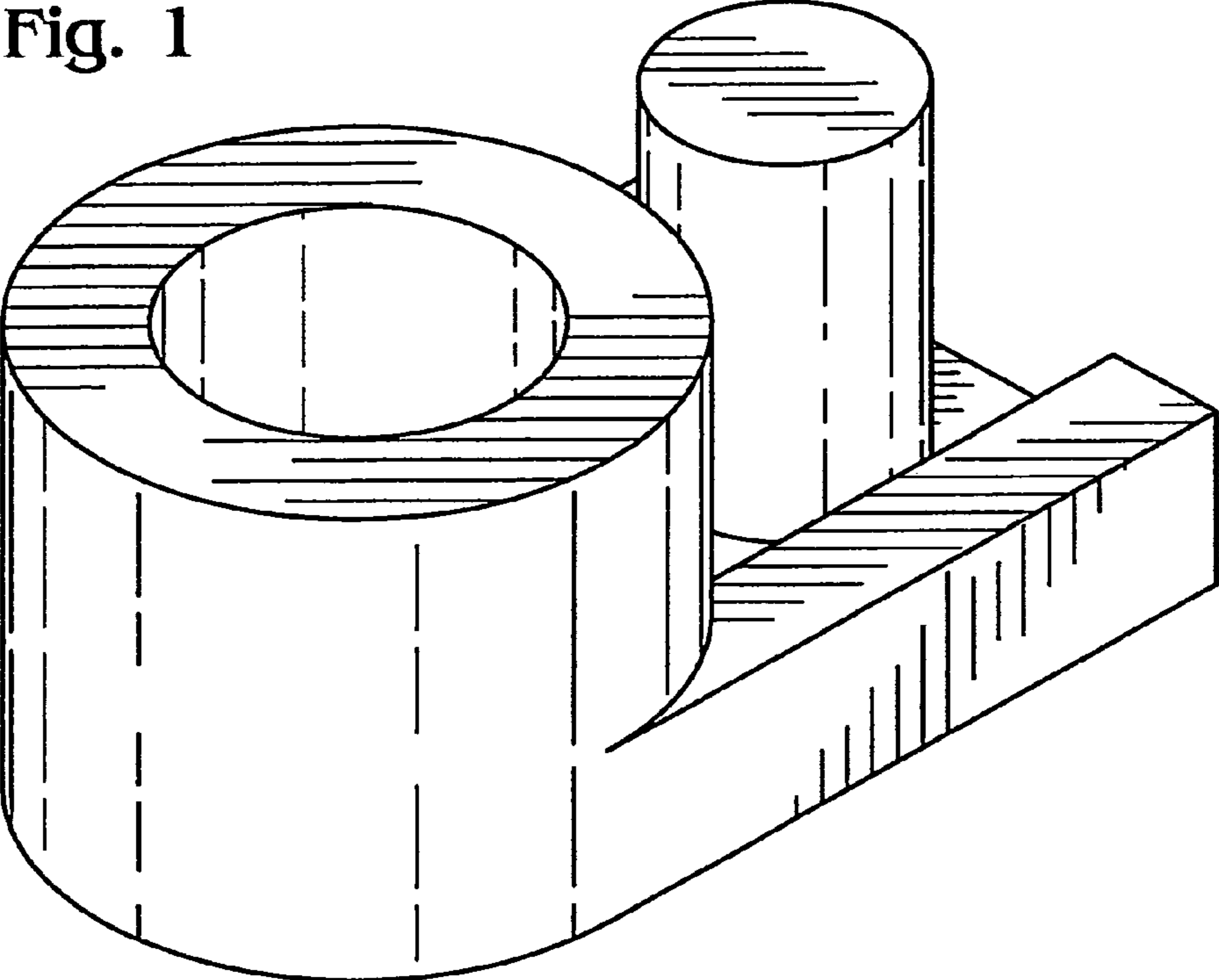


Fig. 2

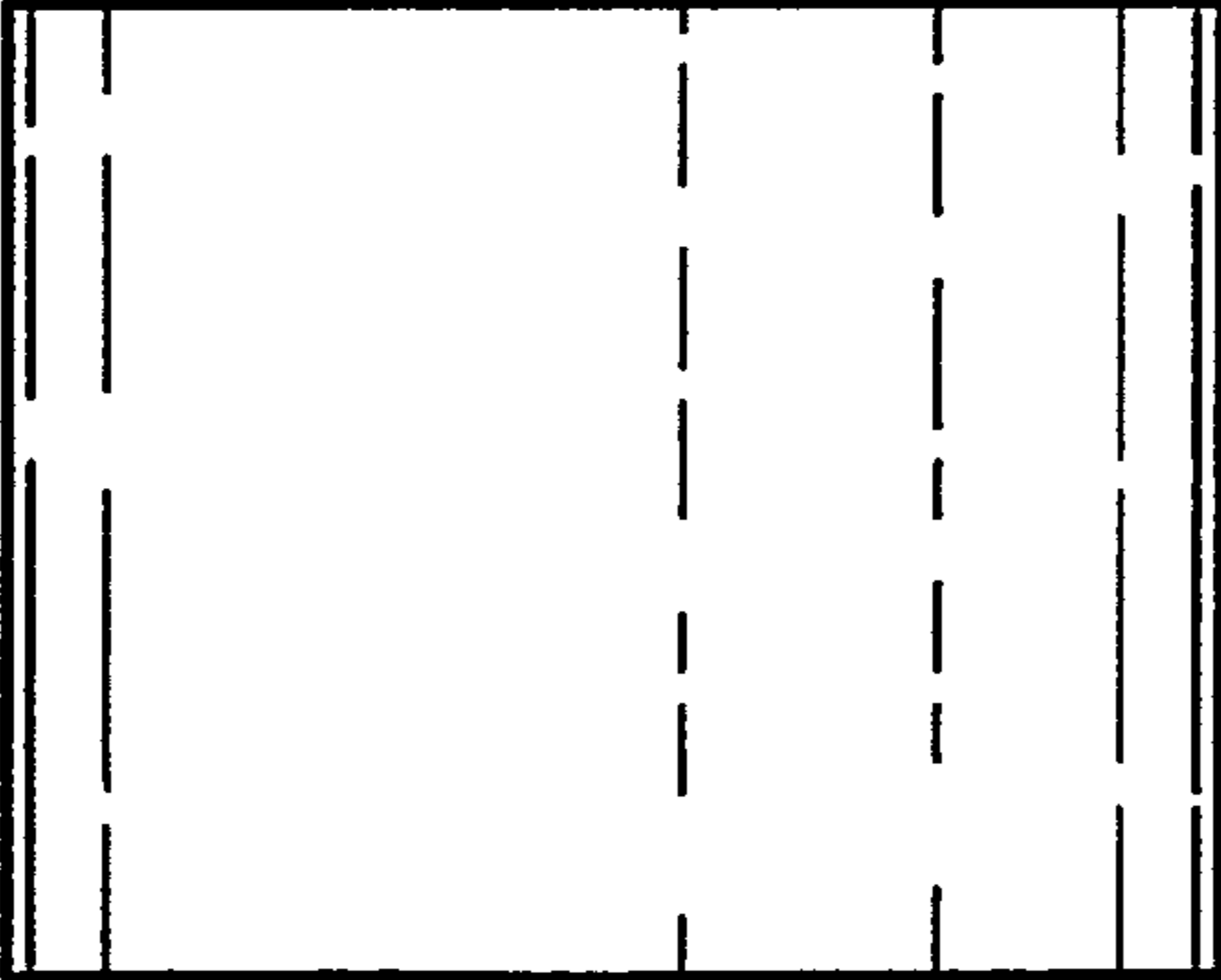


Fig. 3

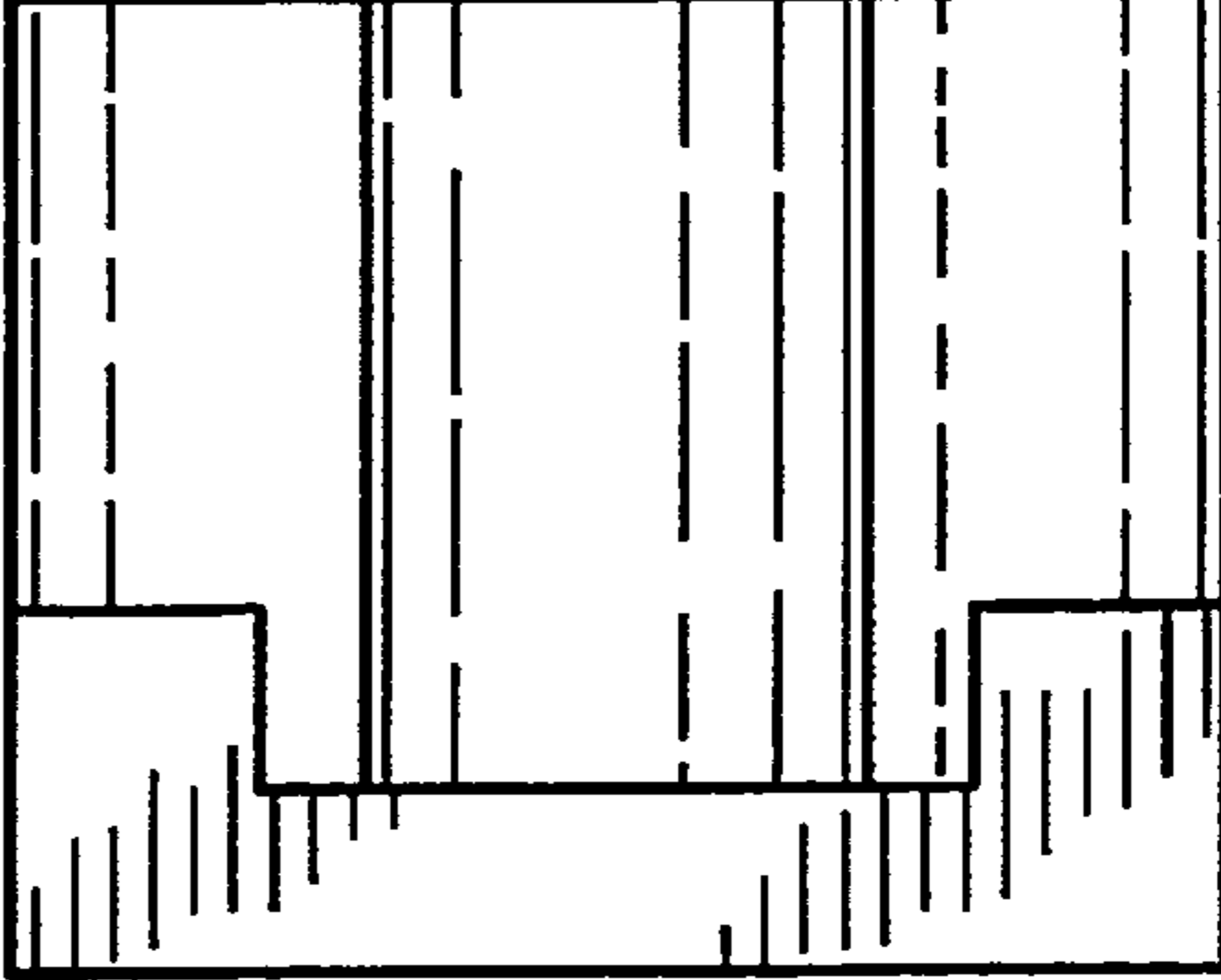


Fig. 4

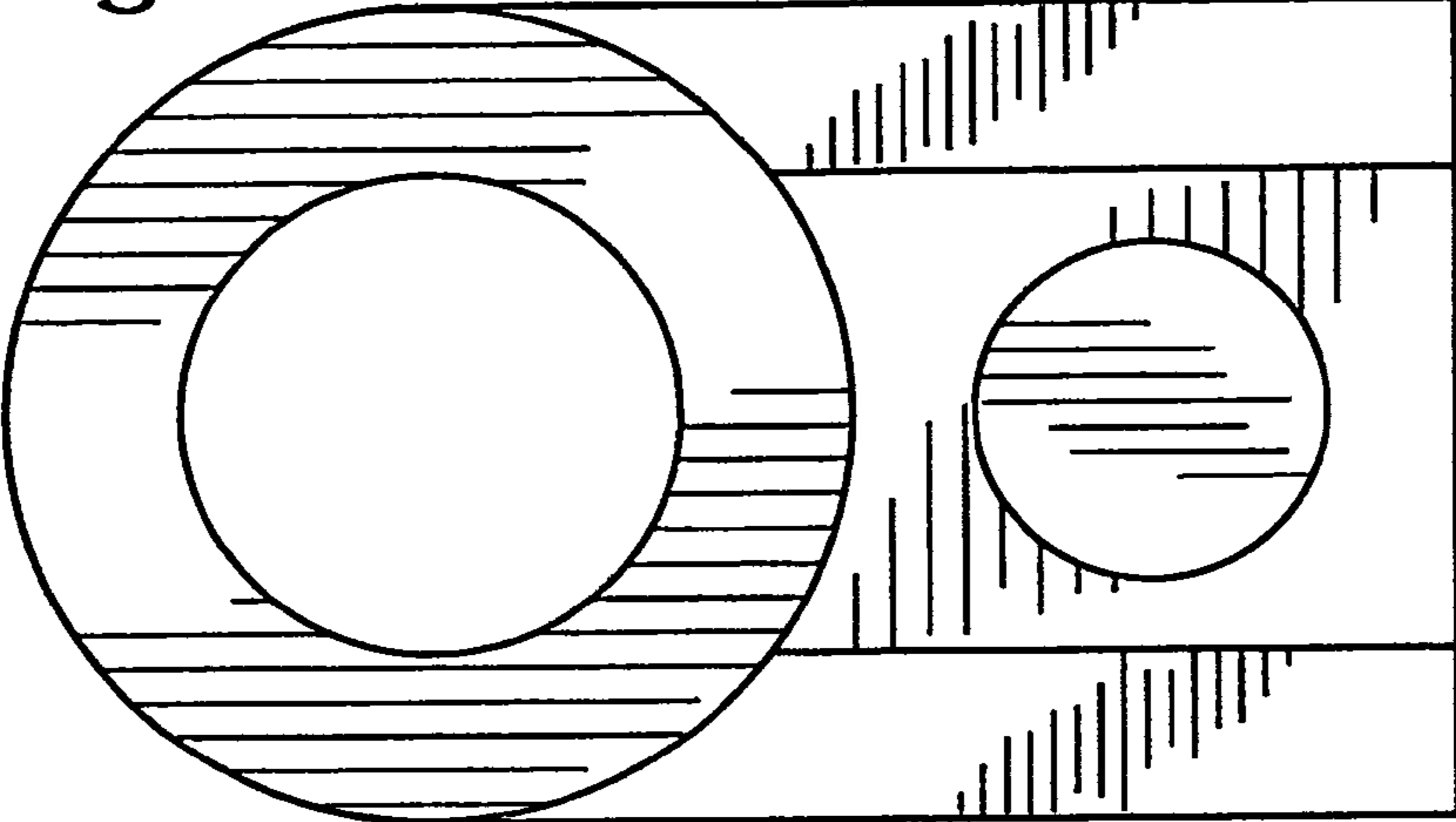


Fig. 5

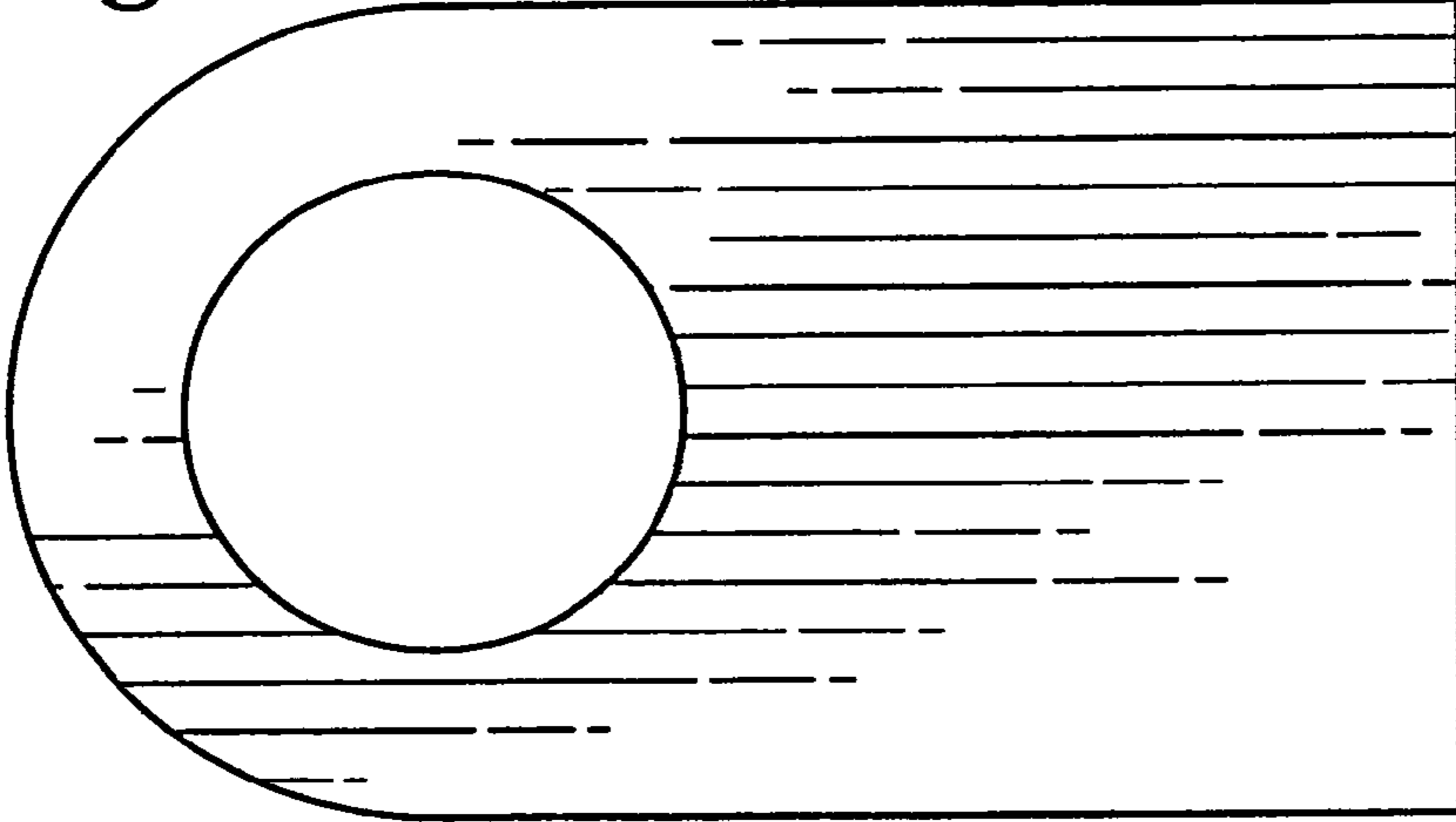


Fig. 6

