



US00D700311S

(12) **United States Design Patent**
Wang

(10) **Patent No.:** **US D700,311 S**

(45) **Date of Patent:** **** Feb. 25, 2014**

(54) **CEILING FAN**

(75) Inventor: **Cliff Wang**, Taichung (TW)

(73) Assignee: **Air Cool Industrial Co., Ltd.**, Taichung (TW)

(**) Term: **14 Years**

(21) Appl. No.: **29/426,168**

(22) Filed: **Jul. 2, 2012**

(51) **LOC (10) Cl.** **23-04**

(52) **U.S. Cl.**
USPC **D23/385**

(58) **Field of Classification Search**
USPC D23/378, 385, 351, 411, 377, 379, 380,
D23/381, 382, 370, 332, 335, 314, 336;
D8/1-107; 415/125, 150; 239/215;
D13/133
See application file for complete search history.

(56) **References Cited**

U.S. PATENT DOCUMENTS

1,772,296	A	*	8/1930	Strobell	415/125
D323,885	S	*	2/1992	Wortham	D23/378
D355,483	S	*	2/1995	Litvin et al.	D23/378
5,480,282	A	*	1/1996	Matson	415/125
D391,357	S	*	2/1998	Chi	D23/382
D408,905	S	*	4/1999	Hadjikyriacou	D23/378
D414,858	S	*	10/1999	Litvin et al.	D23/378
D416,081	S	*	11/1999	Lee	D23/378
D426,631	S	*	6/2000	Thakur	D23/378
D459,467	S	*	6/2002	Wilson, Jr.	D23/412
D459,796	S	*	7/2002	Moreno	D23/382
D480,130	S	*	9/2003	Bucher et al.	D23/378
D480,133	S	*	9/2003	Chen	D23/411
D482,770	S	*	11/2003	Bucher et al.	D23/378
D483,468	S	*	12/2003	Wong	D23/382

D483,852	S	*	12/2003	Wong	D23/382
D484,965	S	*	1/2004	Wong	D23/378
D507,828	S	*	7/2005	Lee	D23/378
D511,570	S	*	11/2005	Ke	D23/378
D520,132	S	*	5/2006	Jones	D23/378
D526,712	S	*	8/2006	Hidalgo et al.	D23/377
D532,097	S	*	11/2006	Hidalgo et al.	D23/377
D540,936	S	*	4/2007	Li	D23/382
D589,604	S	*	3/2009	Hsu	D23/382
D594,965	S	*	6/2009	Bucher et al.	D23/411
D650,893	S	*	12/2011	Fizer	D23/382
D676,124	S	*	2/2013	Almanza et al.	D23/411
D676,543	S	*	2/2013	Hiner et al.	D23/377
D681,795	S	*	5/2013	Huang	D23/378
2011/0002784	A1	*	1/2011	Yu	416/100

* cited by examiner

Primary Examiner — Eric Goodman

Assistant Examiner — Ryan Harvey

(74) *Attorney, Agent, or Firm* — Ming Chow; Sinorica, LLC

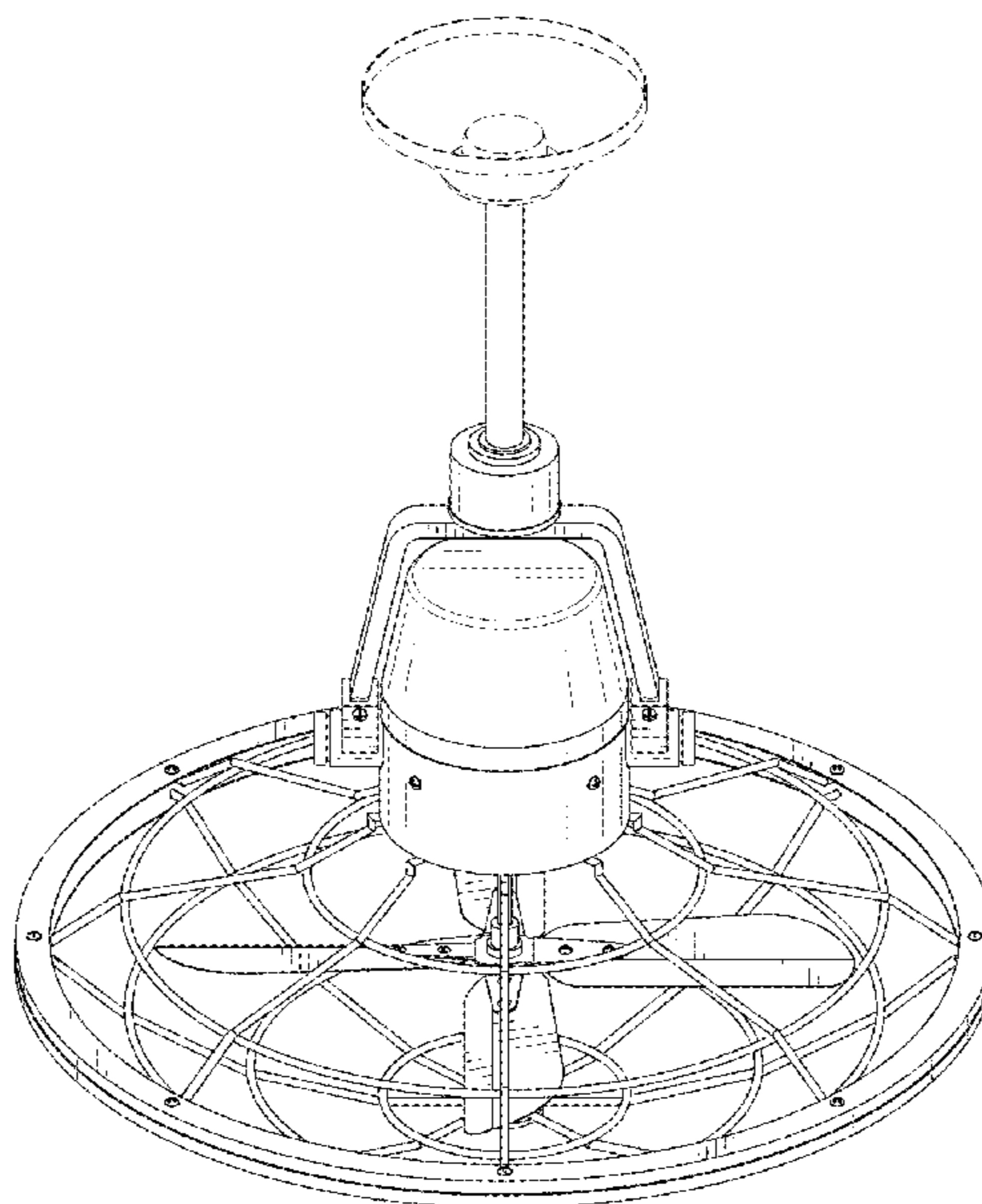
(57) **CLAIM**

I claim the ornamental design for a ceiling fan, as shown and described.

DESCRIPTION

FIG. 1 is a front perspective view of a ceiling fan showing my new design;
FIG. 2 is a front elevational view thereof;
FIG. 3 is a rear elevational view thereof.
FIG. 4 is a left side elevational view thereof;
FIG. 5 is a right side elevational view thereof;
FIG. 6 is a top plan view thereof; and,
FIG. 7 is a bottom plan view thereof.
The broken line showing is included for the purpose of illustrating portions of the article and forms no part of the claimed design.

1 Claim, 7 Drawing Sheets



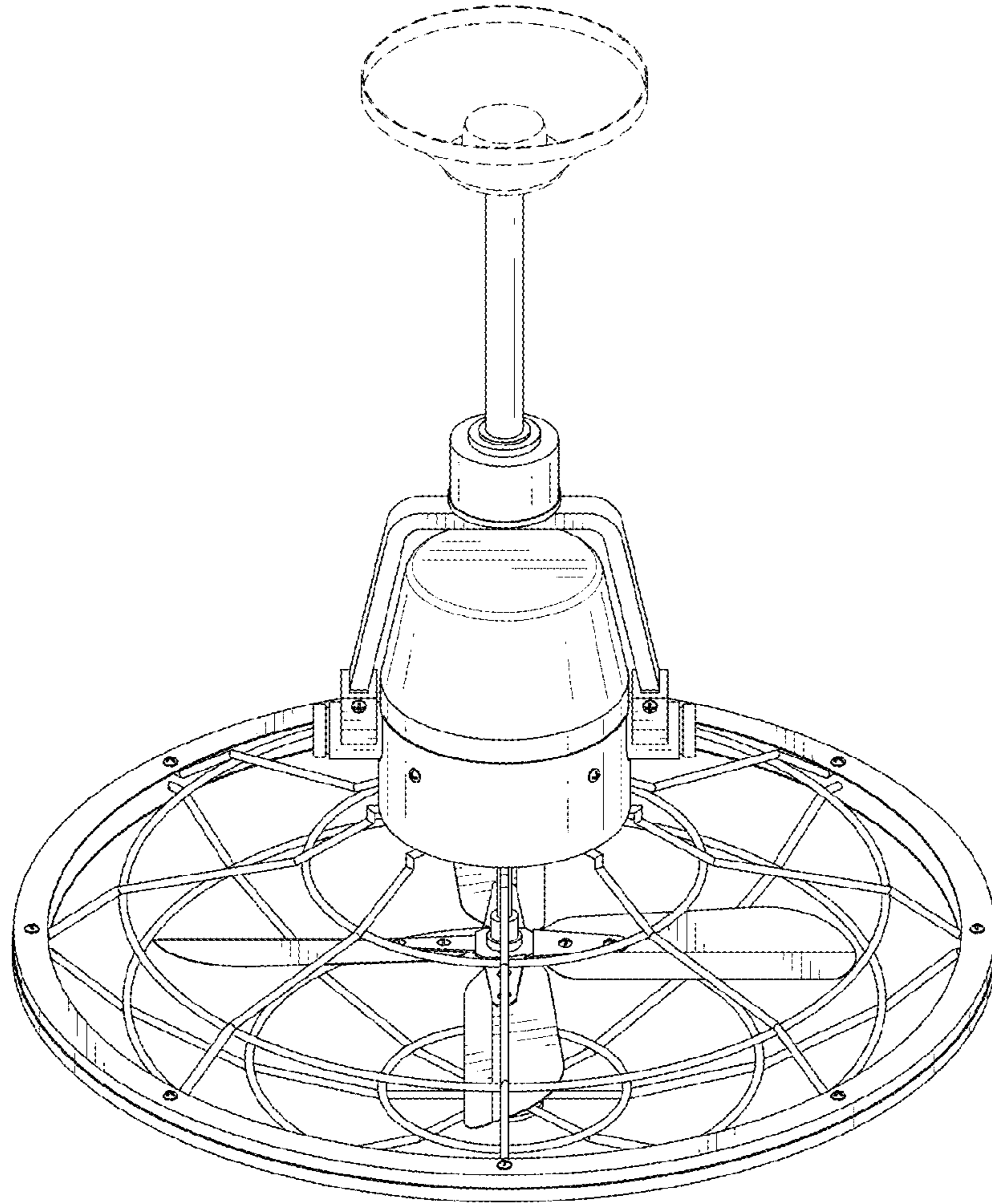


FIG. 1

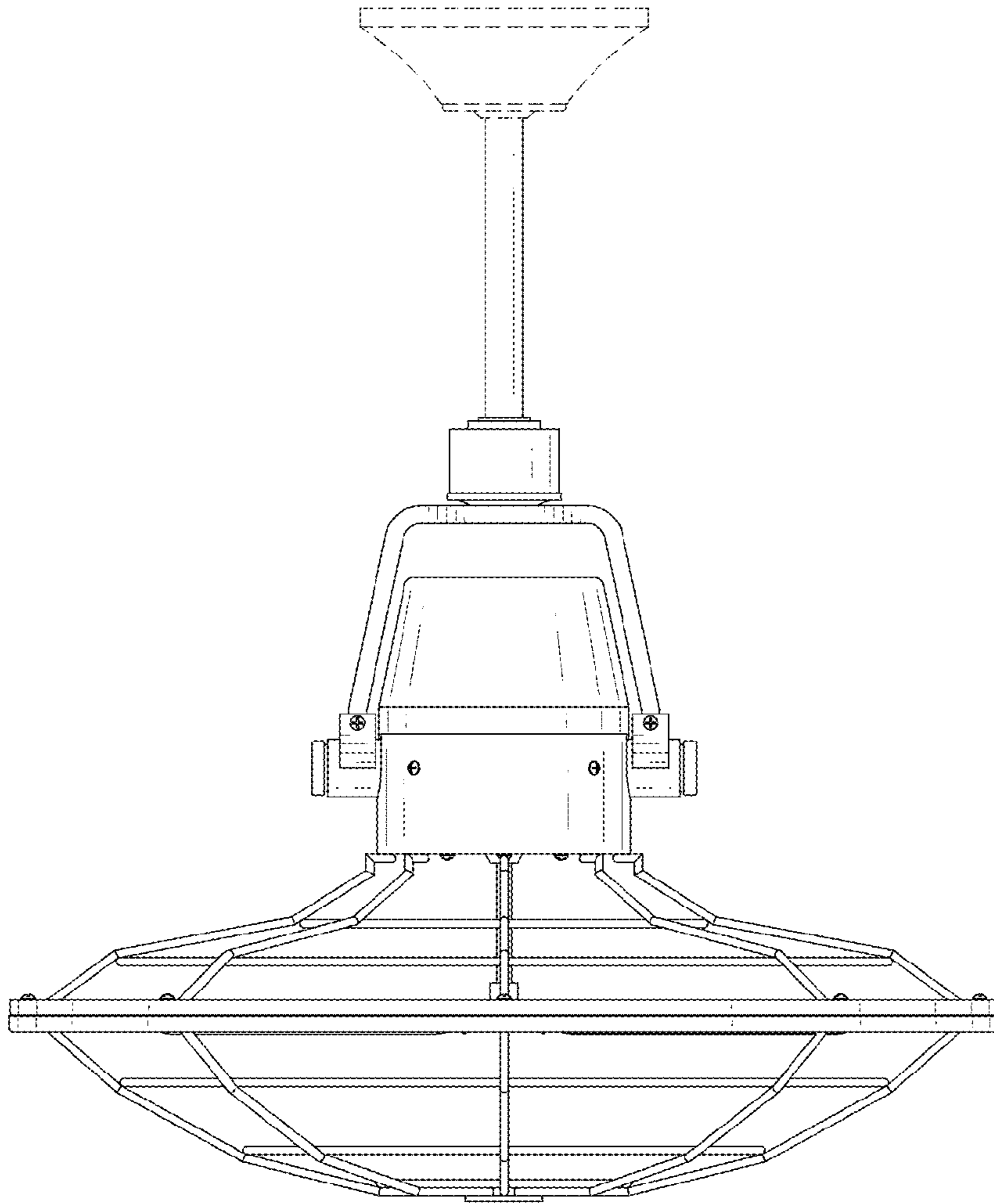


FIG. 2

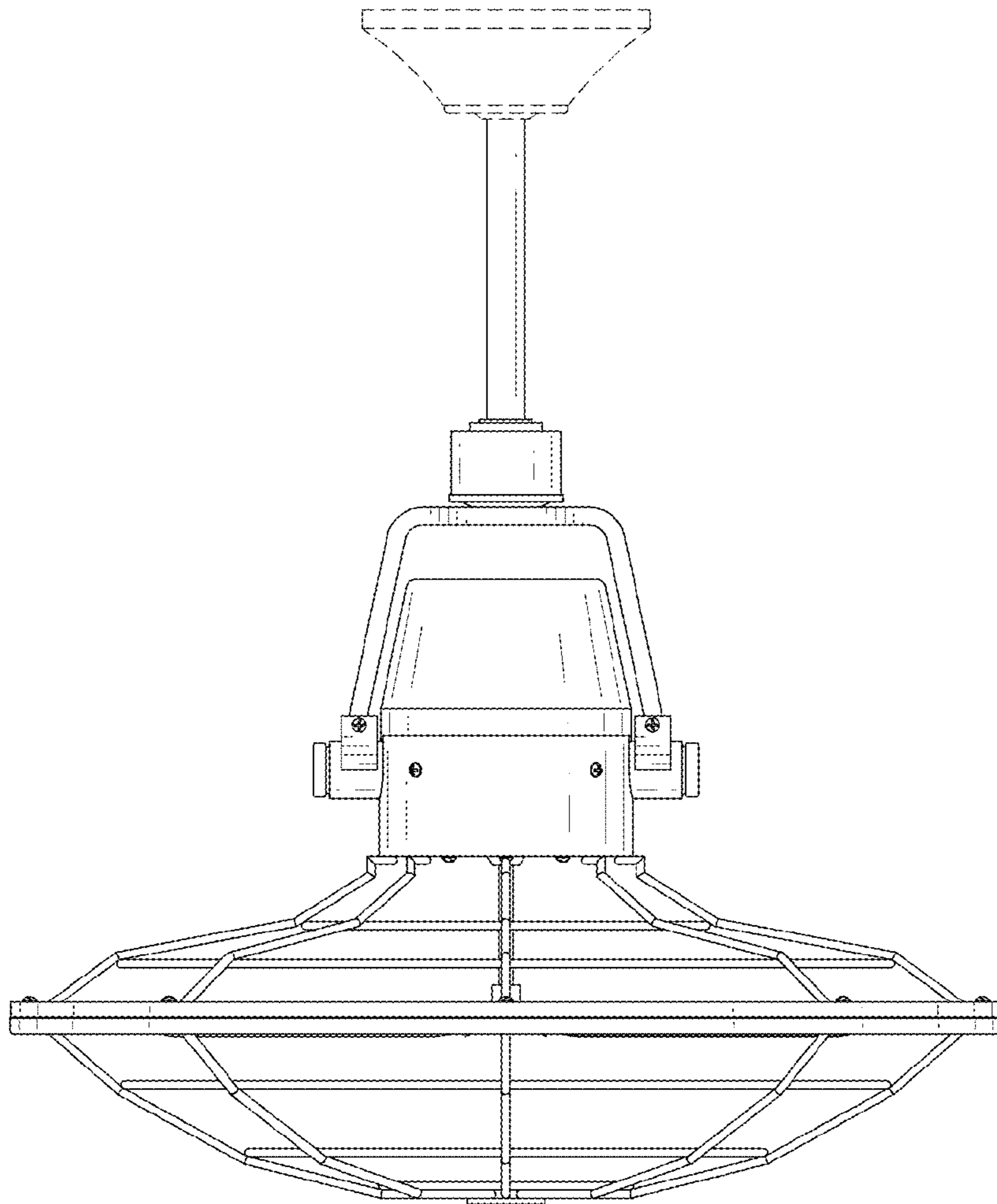


FIG. 3

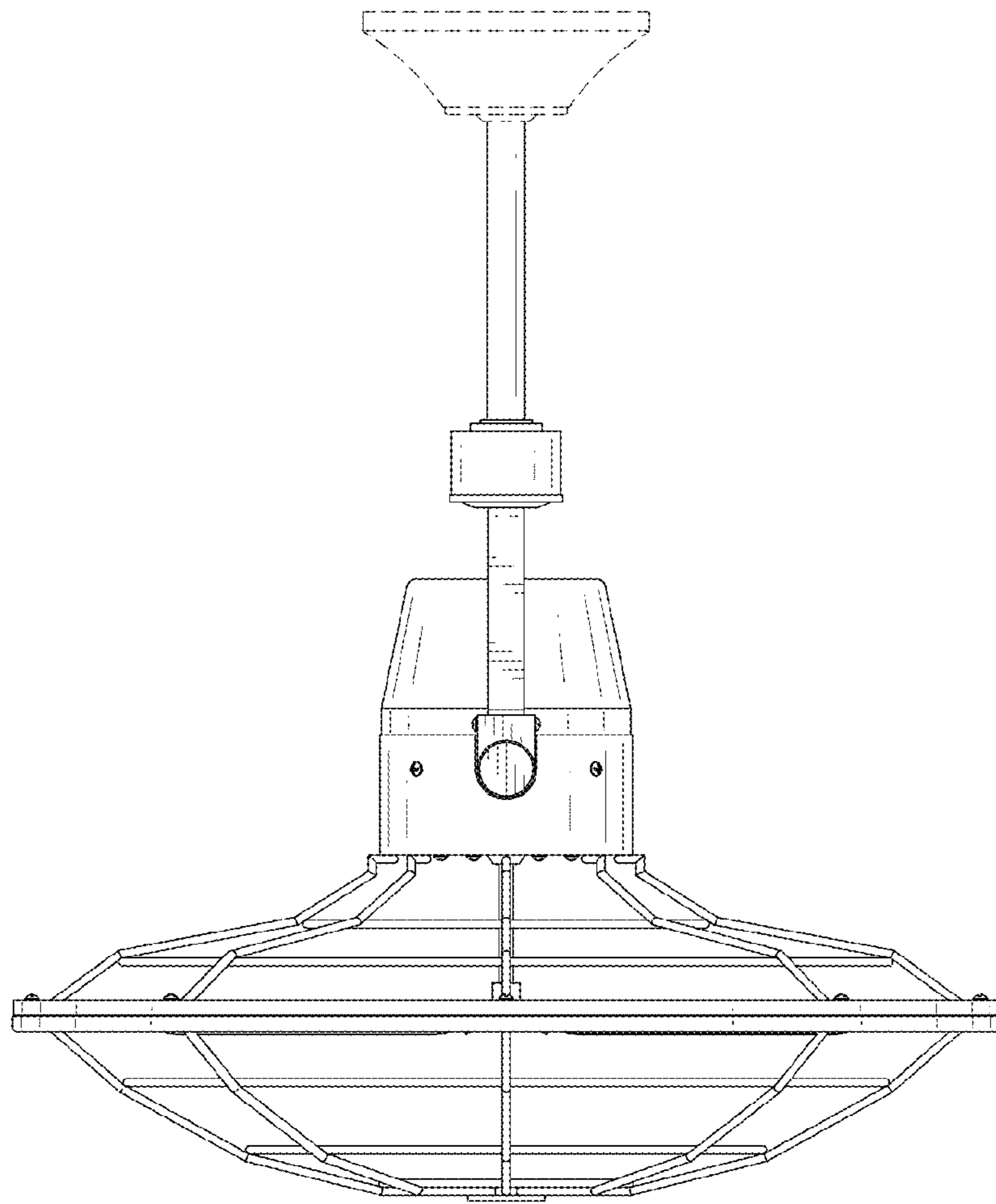


FIG. 4

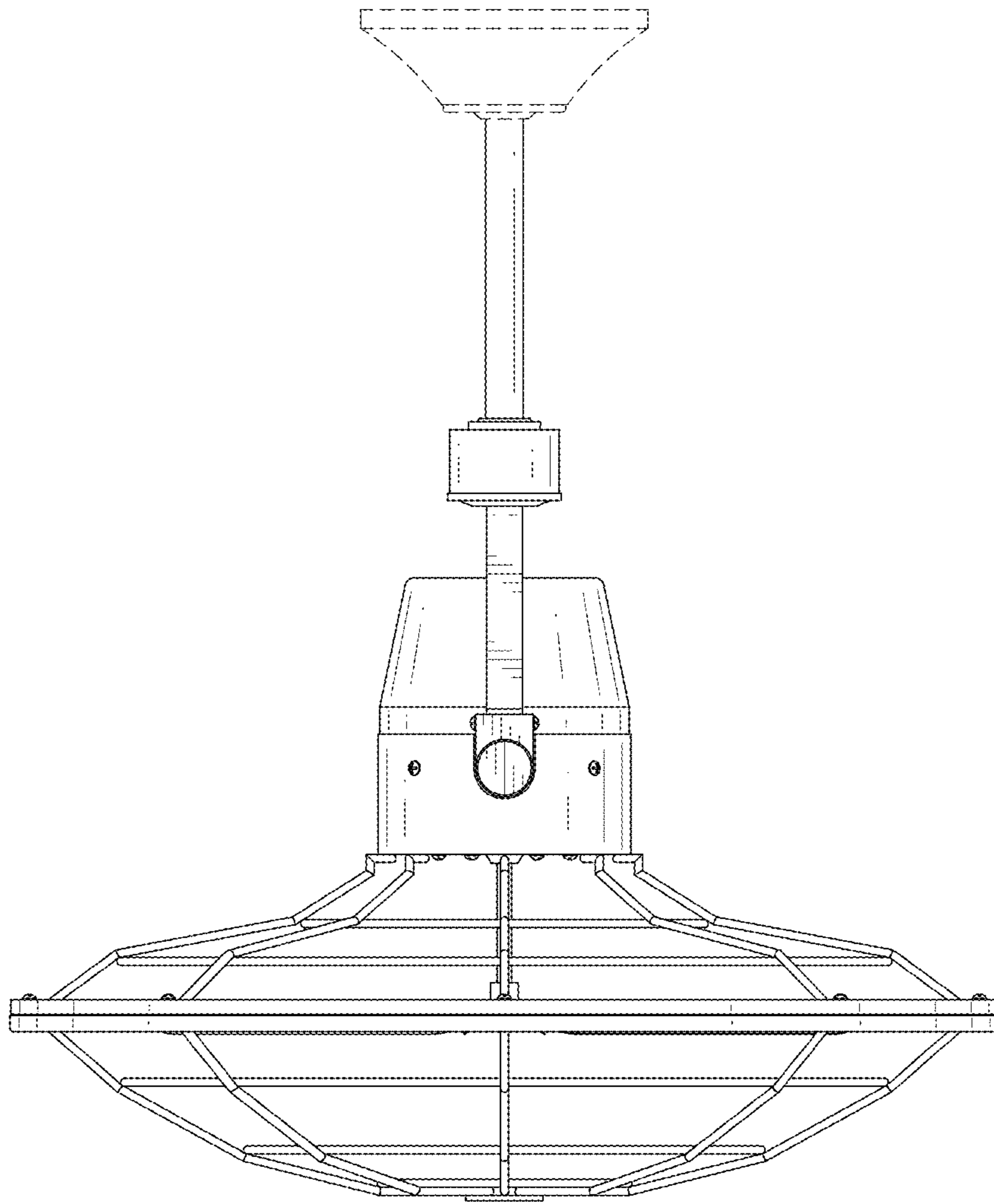


FIG. 5

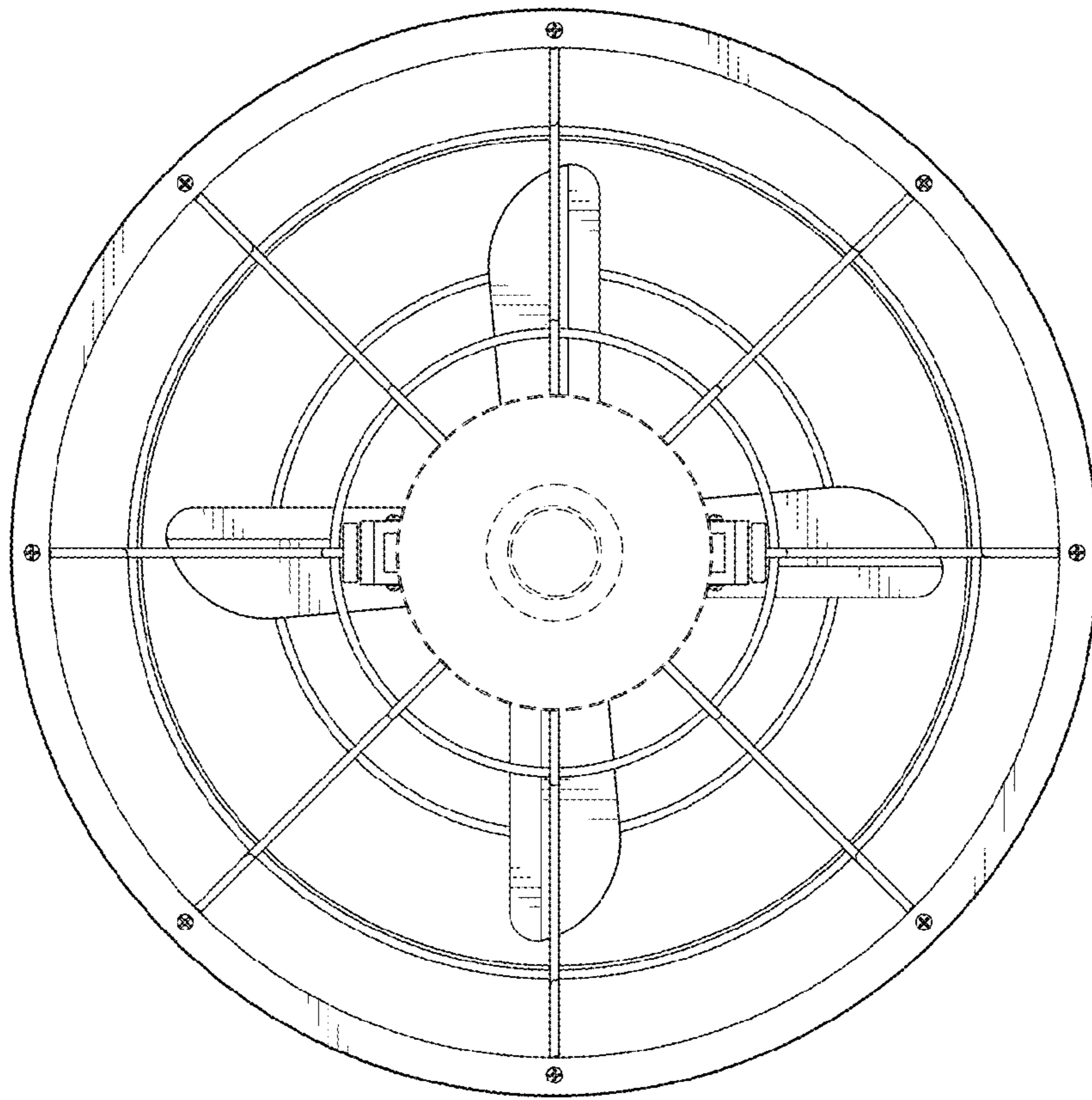


FIG. 6

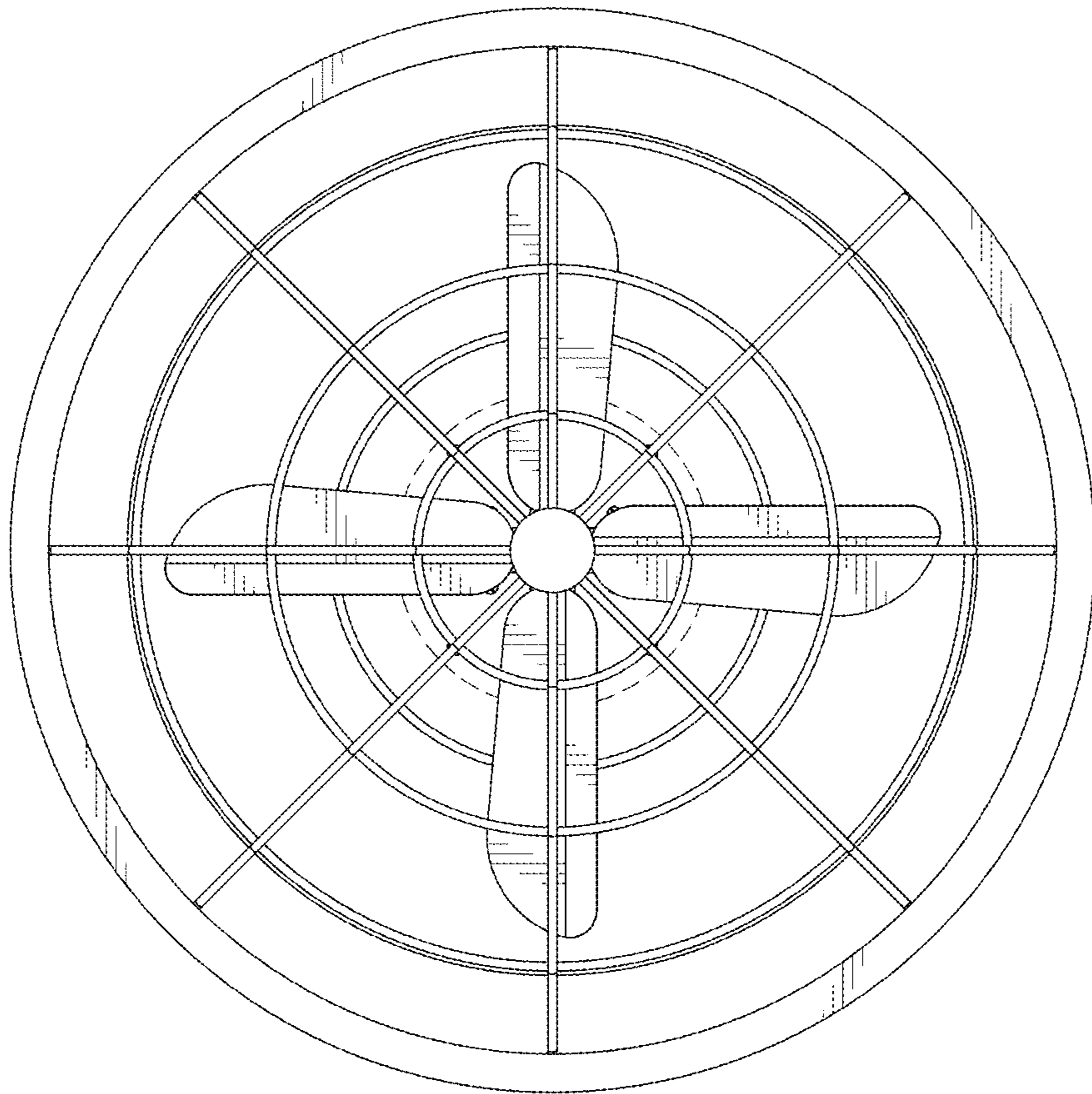


FIG. 7