



US00D700304S

(12) **United States Design Patent**
Ikegaya

(10) **Patent No.:** **US D700,304 S**

(45) **Date of Patent:** **** Feb. 25, 2014**

(54) **OUTDOOR UNIT FOR AIR-CONDITIONER**

(75) Inventor: **Takanori Ikegaya, Kusatsu (JP)**

(73) Assignee: **Daikin Industries Ltd., Osaka-shi, Osaka-fu (JP)**

(**) Term: **14 Years**

(21) Appl. No.: **29/421,613**

(22) Filed: **Aug. 23, 2012**

(51) **LOC (10) Cl.** **23-02**

(52) **U.S. Cl.**
USPC **D23/351**

(58) **Field of Classification Search**
USPC D6/314, 317, 332-333, 351; 312/236;
62/259.1, 259.3, 259.4, 262-263, 304,
62/401, 515-516; 454/330-331, 349-350,
454/354

See application file for complete search history.

(56) **References Cited**

U.S. PATENT DOCUMENTS

| | | | | |
|--------------|---------|---------------|-------|---------|
| D443,349 S * | 6/2001 | Nonaka | | D23/351 |
| D493,215 S * | 7/2004 | Asaoka et al. | | D23/351 |
| D497,983 S * | 11/2004 | Nanjo et al. | | D23/351 |
| D532,503 S * | 11/2006 | Shimizu | | D23/351 |
| D532,889 S * | 11/2006 | Shimizu | | D23/351 |

| | | | | |
|--------------|---------|---------------|-------|---------|
| D553,725 S * | 10/2007 | Shimizu | | D23/351 |
| D579,536 S * | 10/2008 | Oh et al. | | D23/351 |
| D584,388 S * | 1/2009 | Chooji | | D23/351 |
| D629,878 S * | 12/2010 | Kaiser et al. | | D23/351 |
| D683,834 S * | 6/2013 | Katou | | D23/351 |

* cited by examiner

Primary Examiner — Brian N Vinson

(74) *Attorney, Agent, or Firm* — Manabu Kanesaka

(57) **CLAIM**

The ornamental design for an outdoor unit for air-conditioner, as shown and described.

DESCRIPTION

FIG. 1 is a perspective view of an outdoor unit for air-conditioner showing my new design;
FIG. 2 is a front view thereof;
FIG. 3 is a rear view thereof;
FIG. 4 is a left side view thereof;
FIG. 5 is a right side view thereof;
FIG. 6 is a plan view thereof;
FIG. 7 is a bottom view thereof; and,
FIG. 8 is a cross-sectional view thereof taken along the line 8-8 in FIG. 2.

The broken lines depict portions of the outdoor unit for air-conditioner that form no part of claimed design.

1 Claim, 7 Drawing Sheets

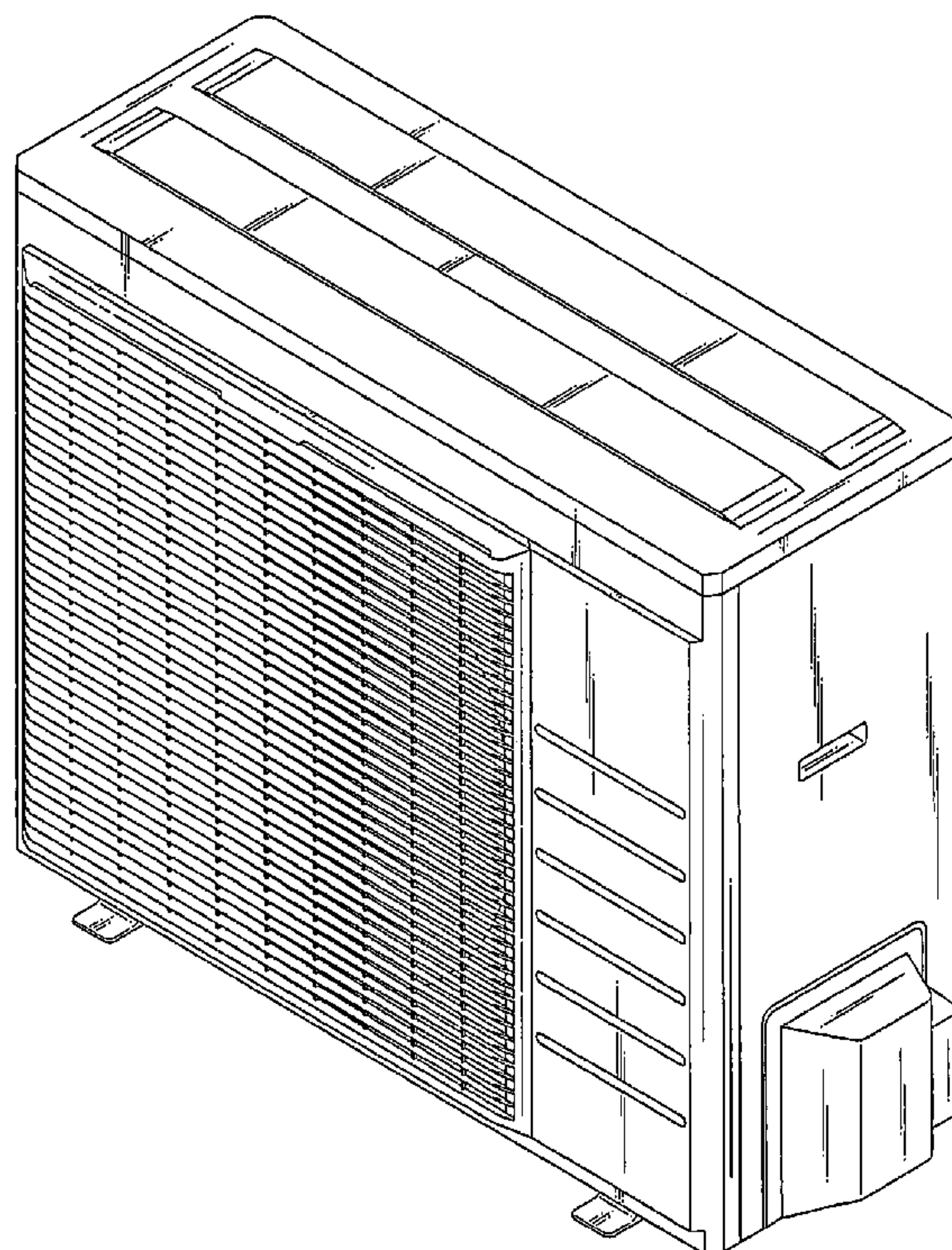


Fig. 1

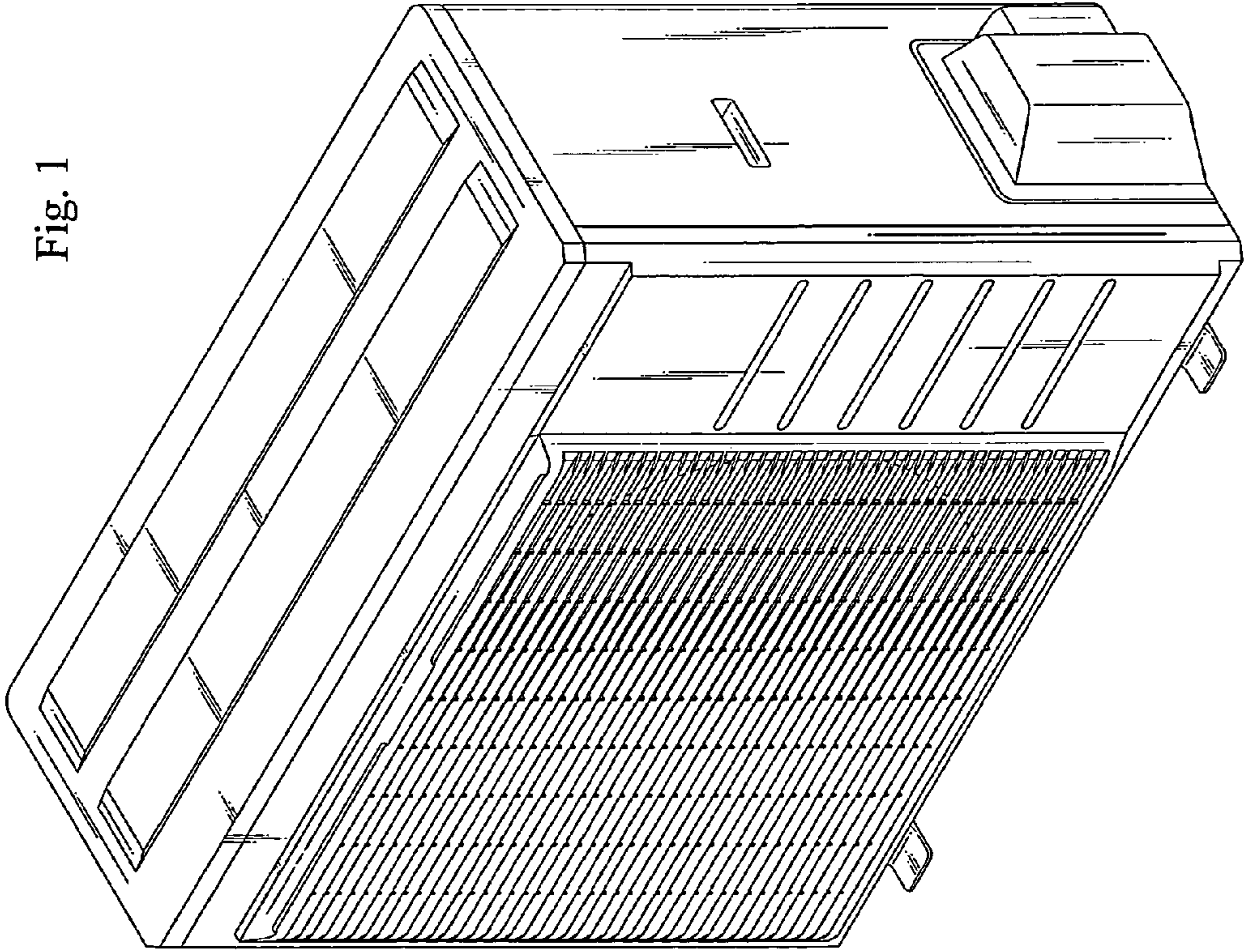


Fig. 2

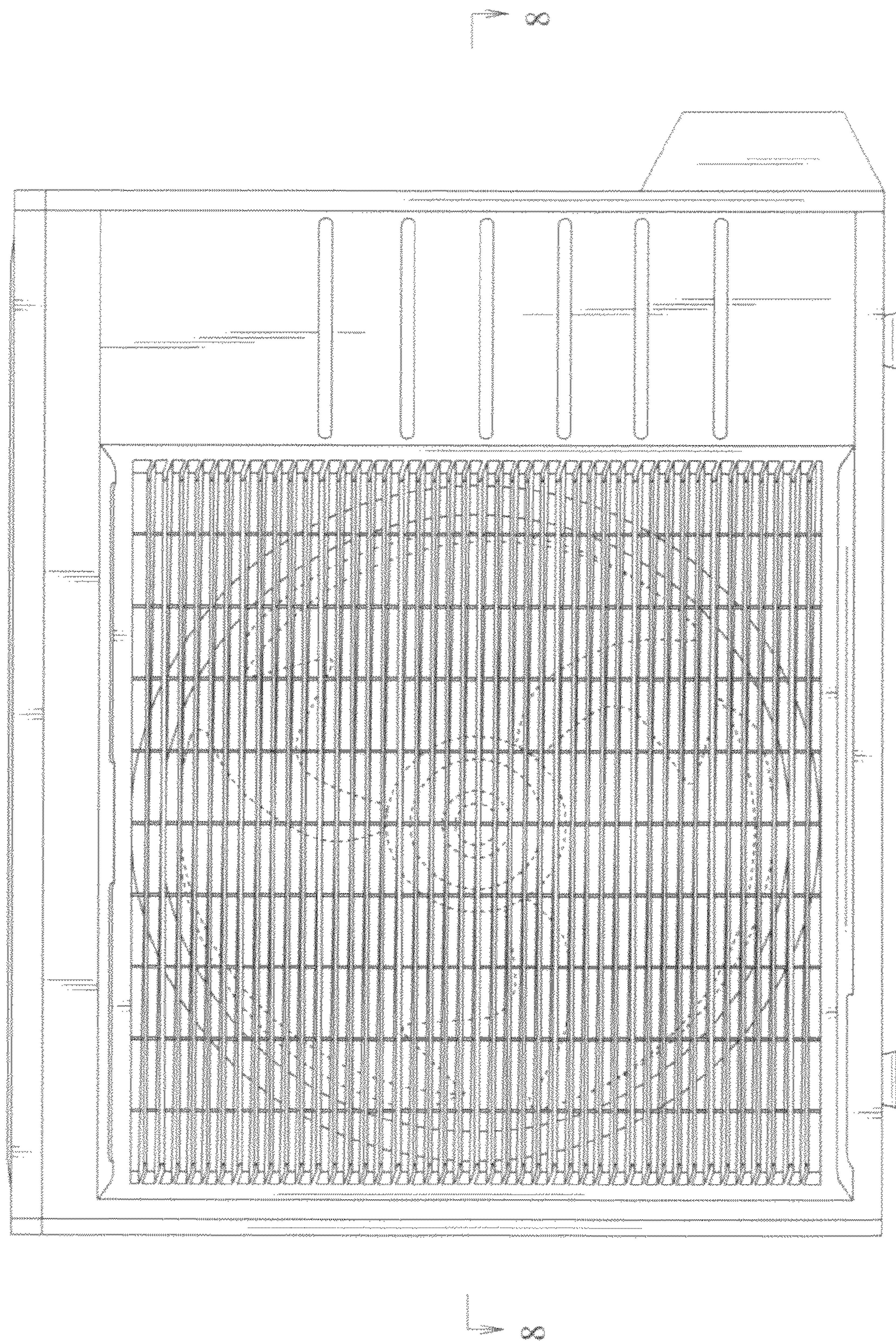


Fig. 3

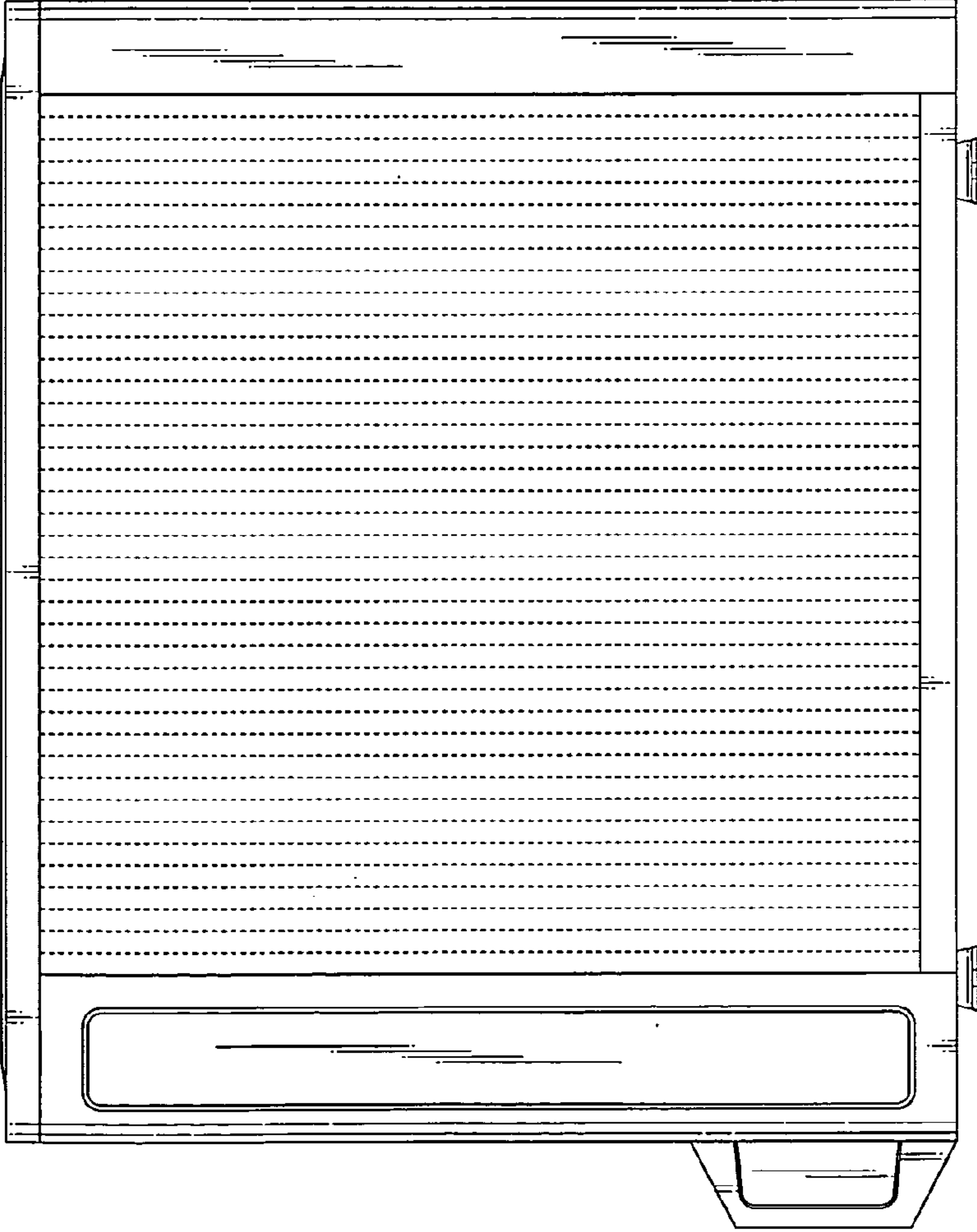


Fig. 5

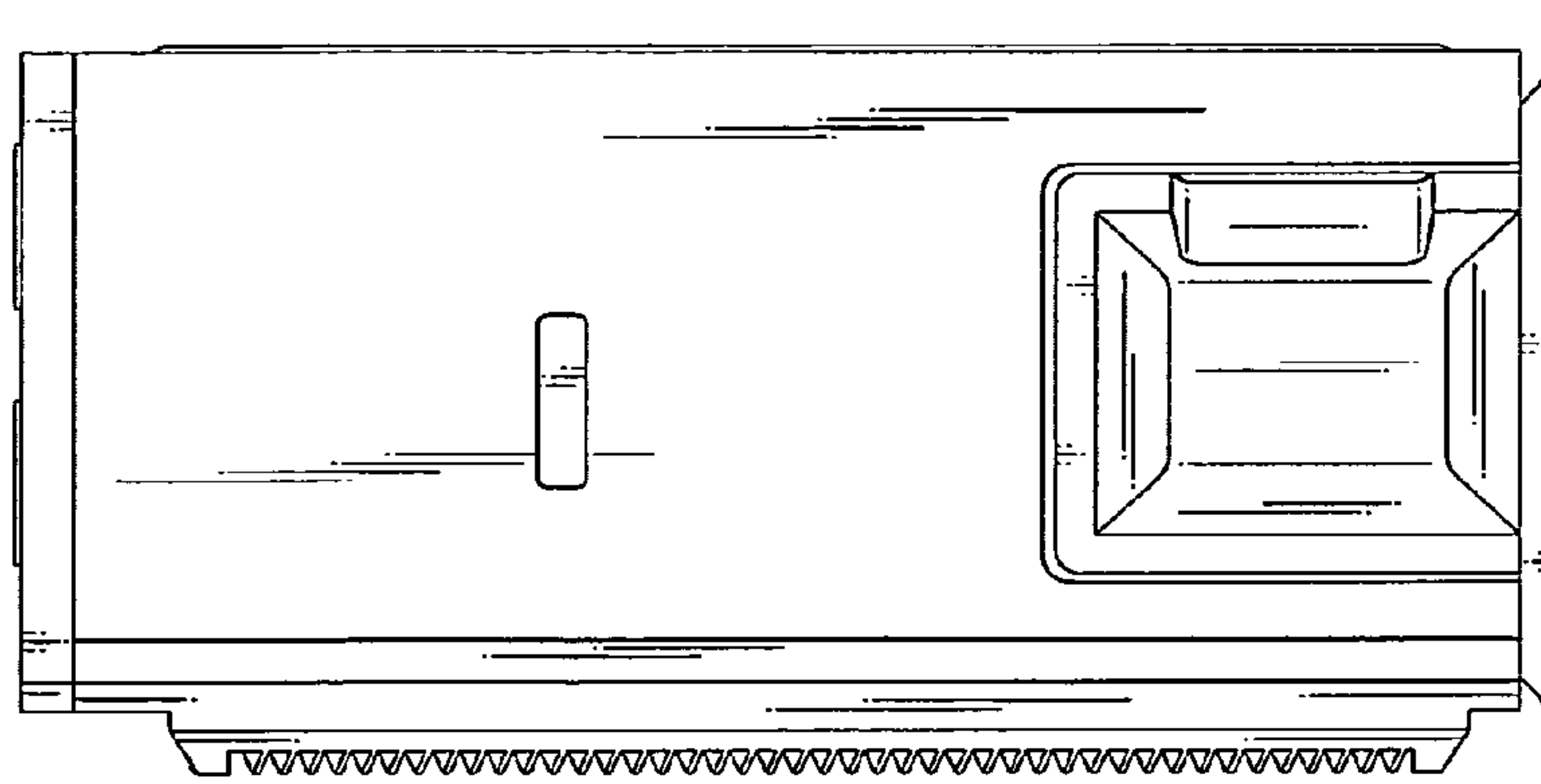


Fig. 4

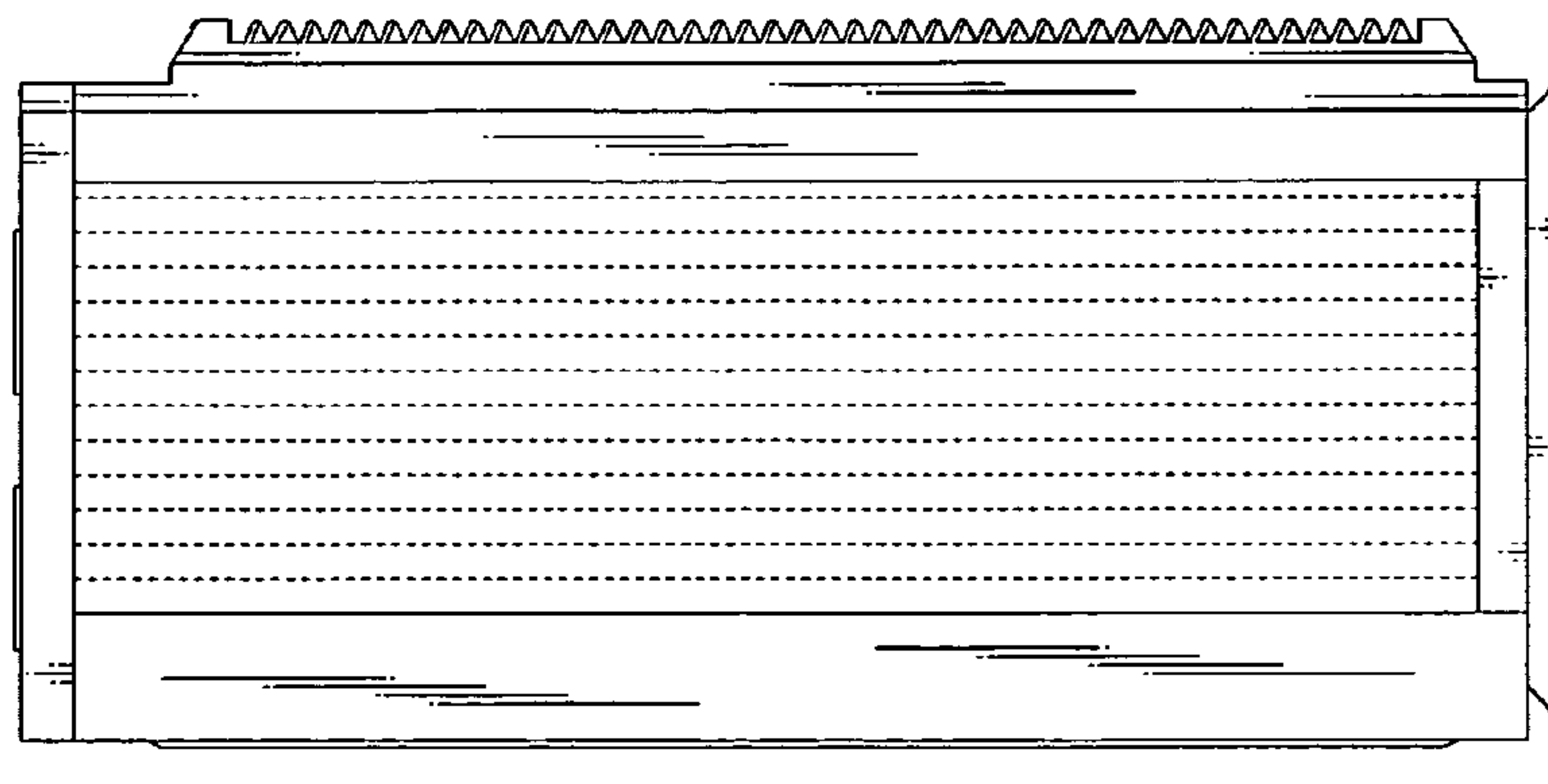


Fig. 6

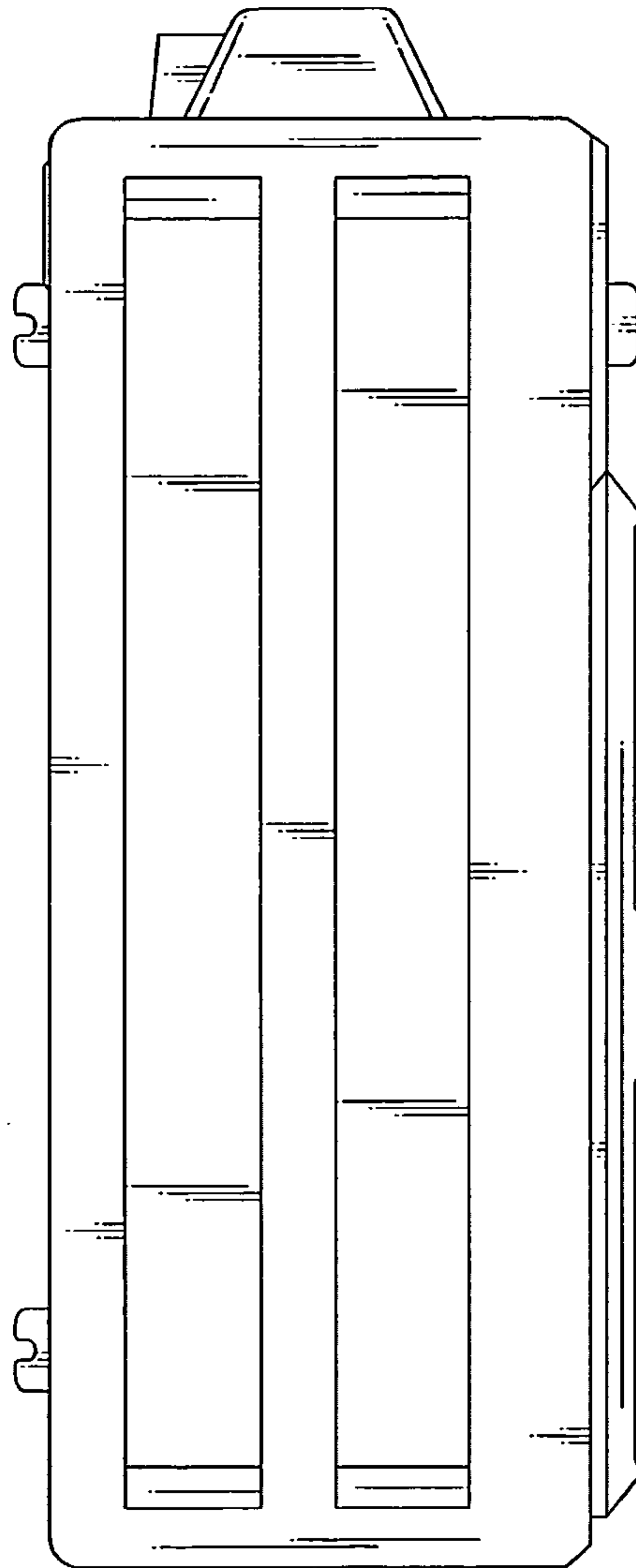


Fig. 7

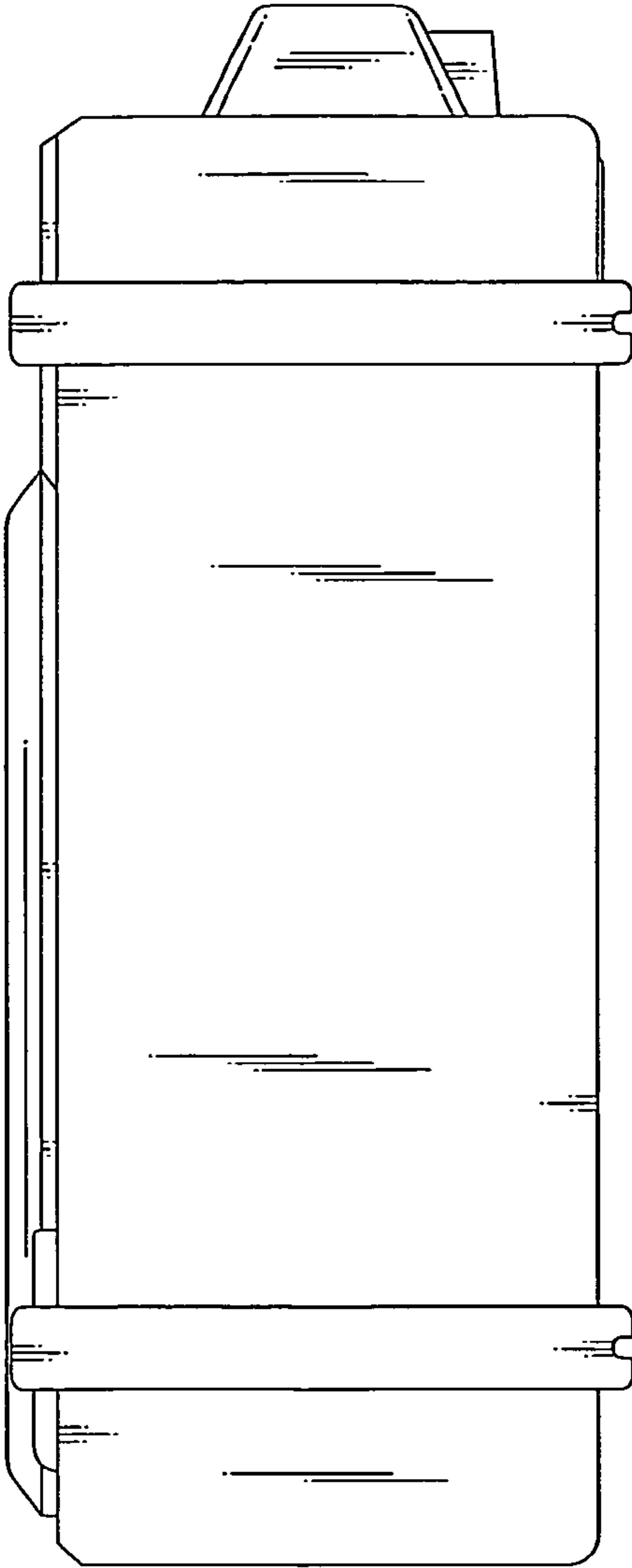


Fig. 8

