



US00D700303S

(12) **United States Design Patent**
Eveleigh et al.

(10) **Patent No.:** **US D700,303 S**
(45) **Date of Patent:** **** Feb. 25, 2014**

(54) **EYEWASH BASIN**

(71) Applicant: **Magarl, LLC**, Naples, FL (US)

(72) Inventors: **Robert B. Eveleigh**, Naples, FL (US);
Thomas R. Baker, Noblesville, IN (US)

(73) Assignee: **Magarl, LLC**, Naples, FL (US)

(**) Term: **14 Years**

(21) Appl. No.: **29/457,075**

(22) Filed: **Jun. 6, 2013**

(51) **LOC (10) Cl.** **23-02**

(52) **U.S. Cl.**
USPC **D23/284**

(58) **Field of Classification Search**
USPC D23/272-274, 284, 286, 292-293.1,
D23/303, 308; 4/619, 620, 624; D24/185,
D24/234
See application file for complete search history.

(56) **References Cited**

U.S. PATENT DOCUMENTS

D218,237 S 8/1970 Cline
D414,548 S * 9/1999 Westcott et al. D23/284

D435,892 S 1/2001 Henry et al.
D559,365 S * 1/2008 Plikuhn D23/284
D585,117 S * 1/2009 Slothower D23/284
D588,240 S * 3/2009 Hanna D23/284
D662,219 S * 6/2012 Perrin et al. D24/232
D671,228 S 11/2012 Perrin et al.

* cited by examiner

Primary Examiner — Robert Delehanty

(74) *Attorney, Agent, or Firm* — John V. Daniluck; Bingham
Greenebaum Doll LLP

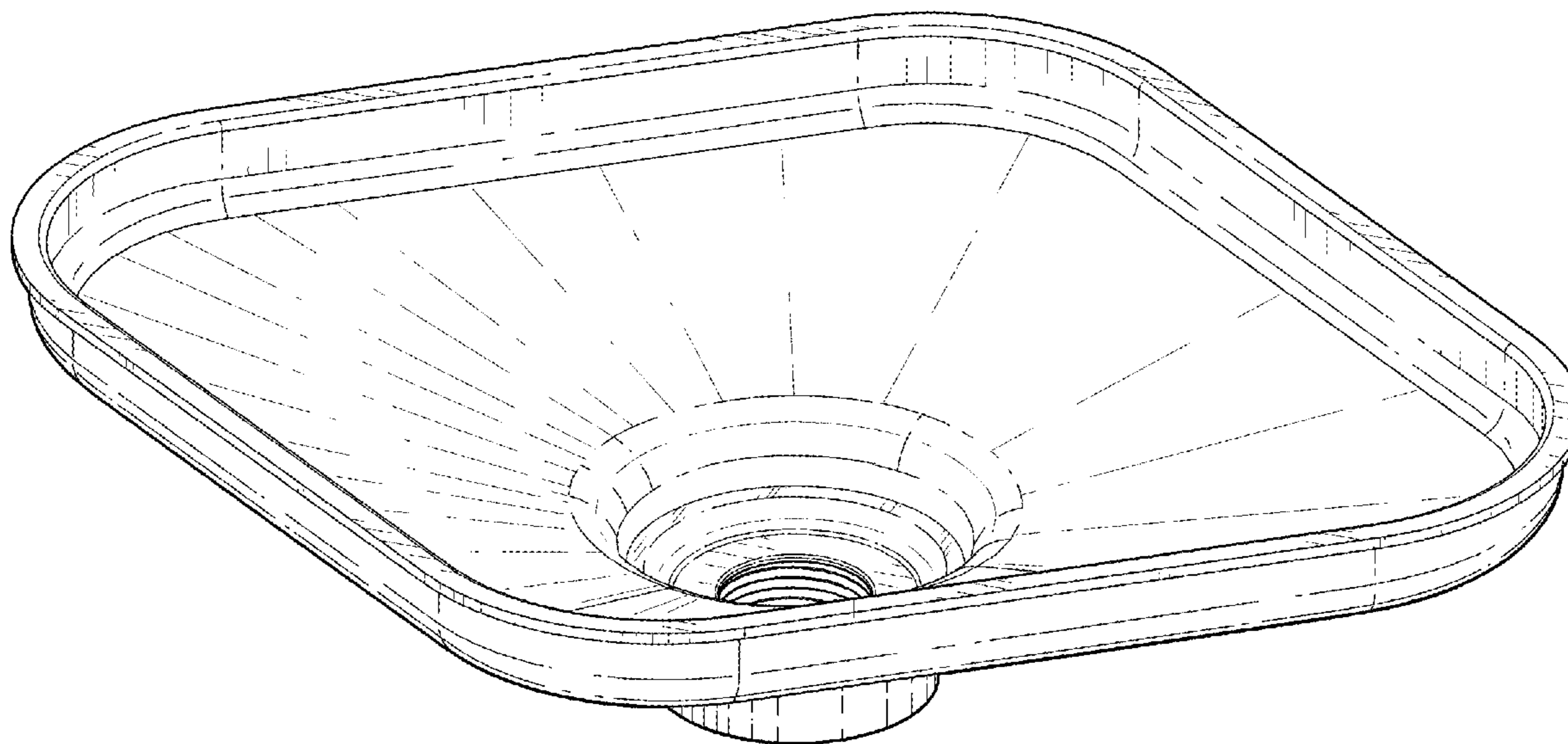
(57) **CLAIM**

The ornamental design for an eyewash basin, as shown and described.

DESCRIPTION

FIG. 1 is top, right, front perspective view of an emergency wash basin showing my new design;
FIG. 2 is a bottom, right, front perspective view of the apparatus of FIG. 1.
FIG. 3 is a front elevational view of the apparatus of FIG. 1.
FIG. 4 is a top plan view of the apparatus of FIG. 1.
FIG. 5 is a right side elevational view of the apparatus of FIG. 1; and,
FIG. 6 is a bottom plan view of the apparatus of FIG. 1.

1 Claim, 5 Drawing Sheets



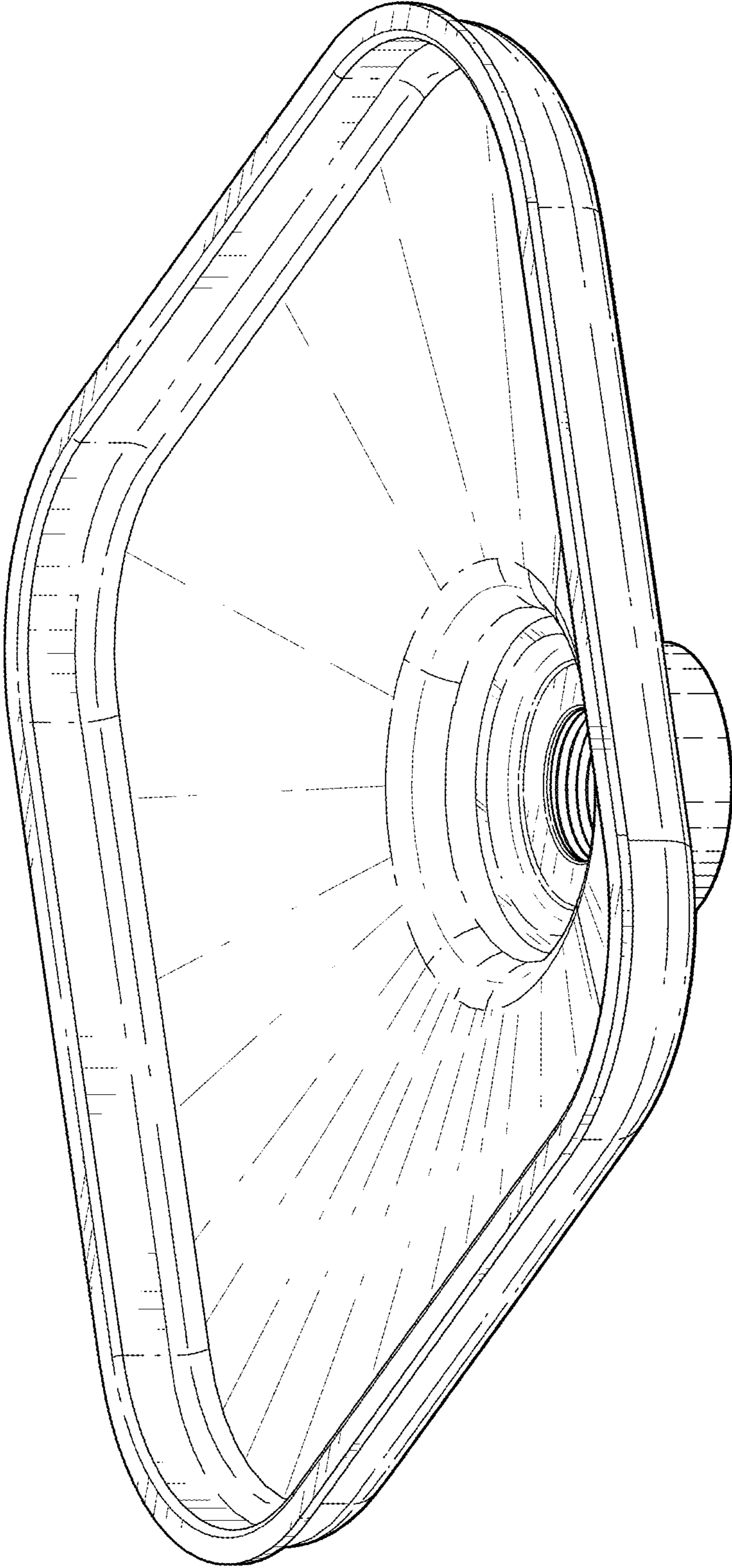


Fig. 1

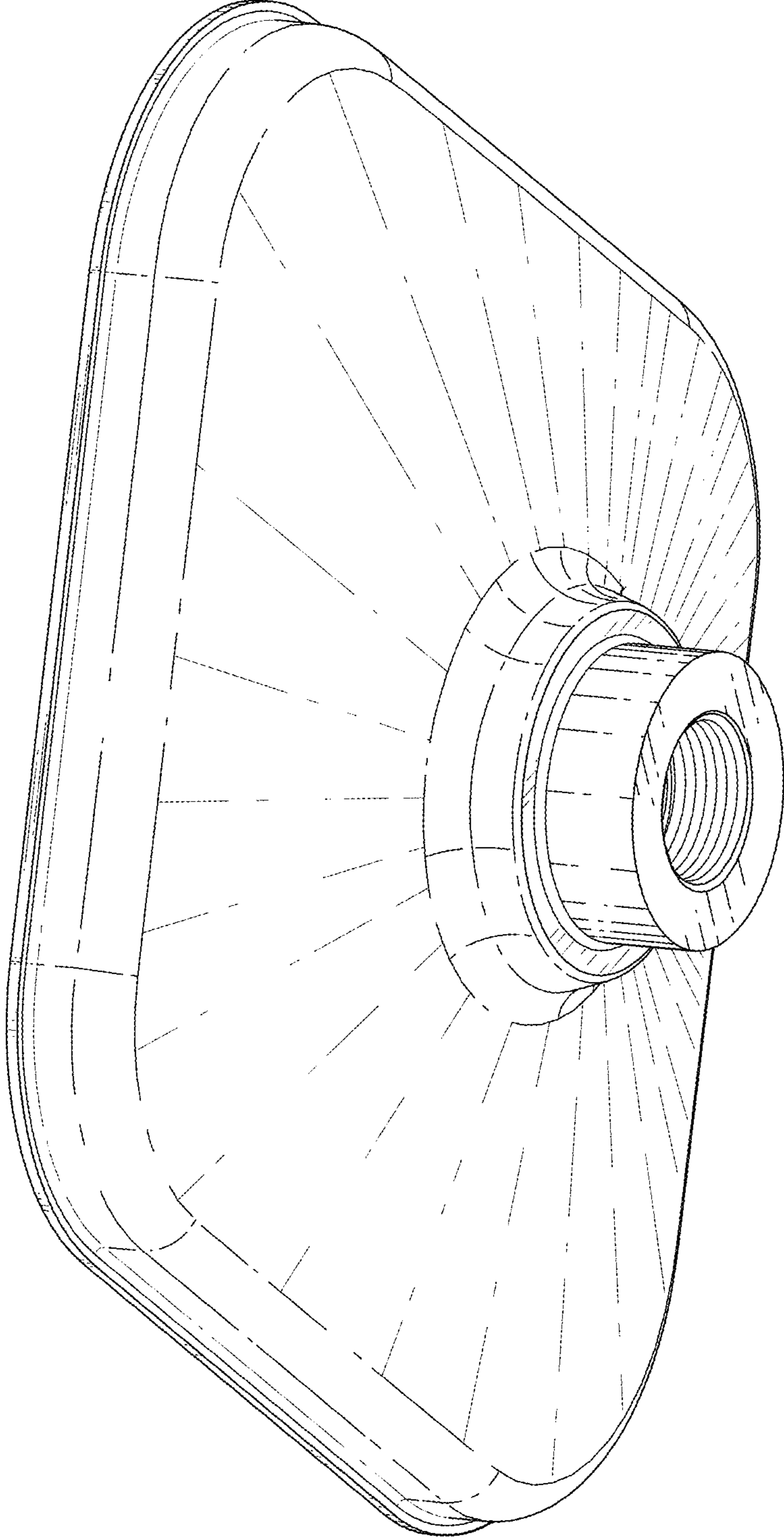


Fig. 2

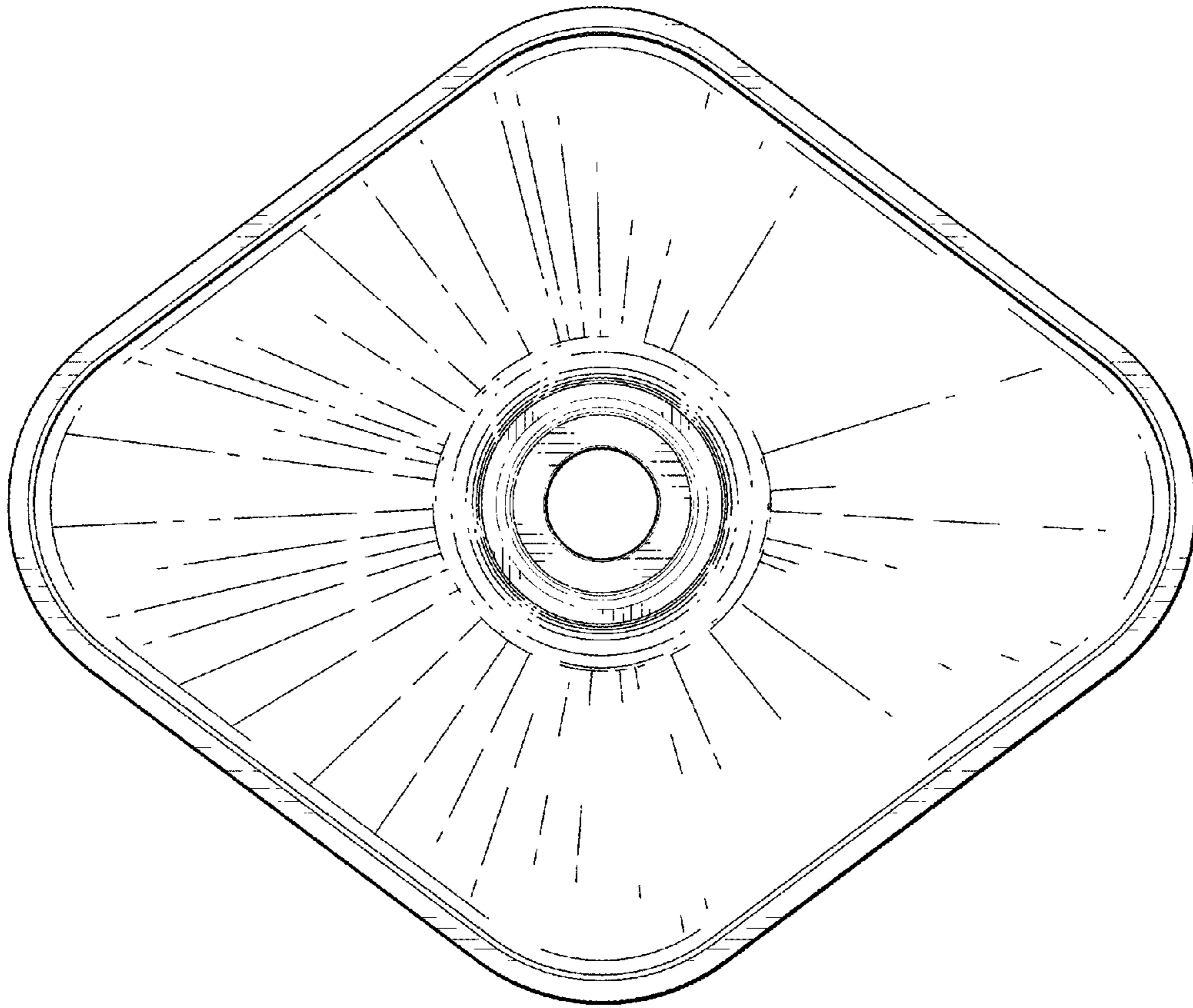


Fig. 4

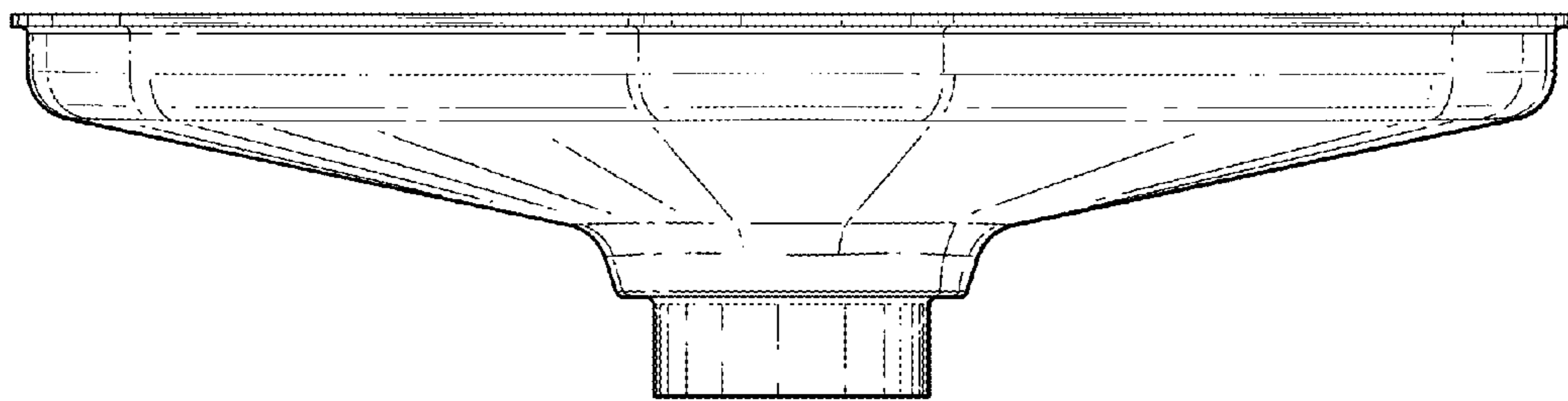


Fig. 3

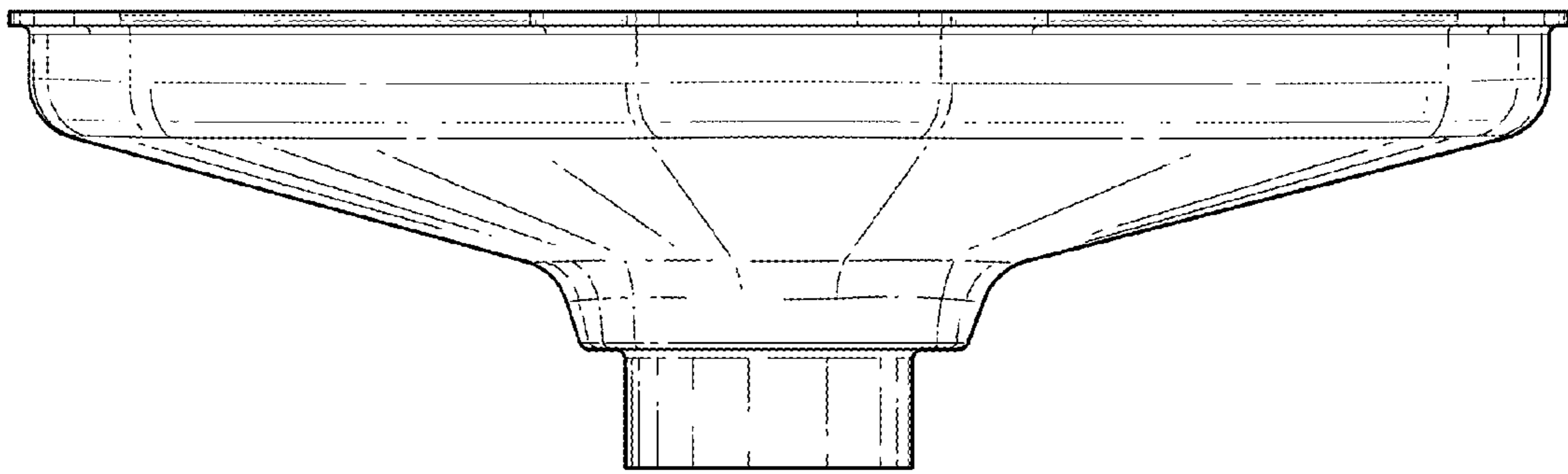


Fig. 5

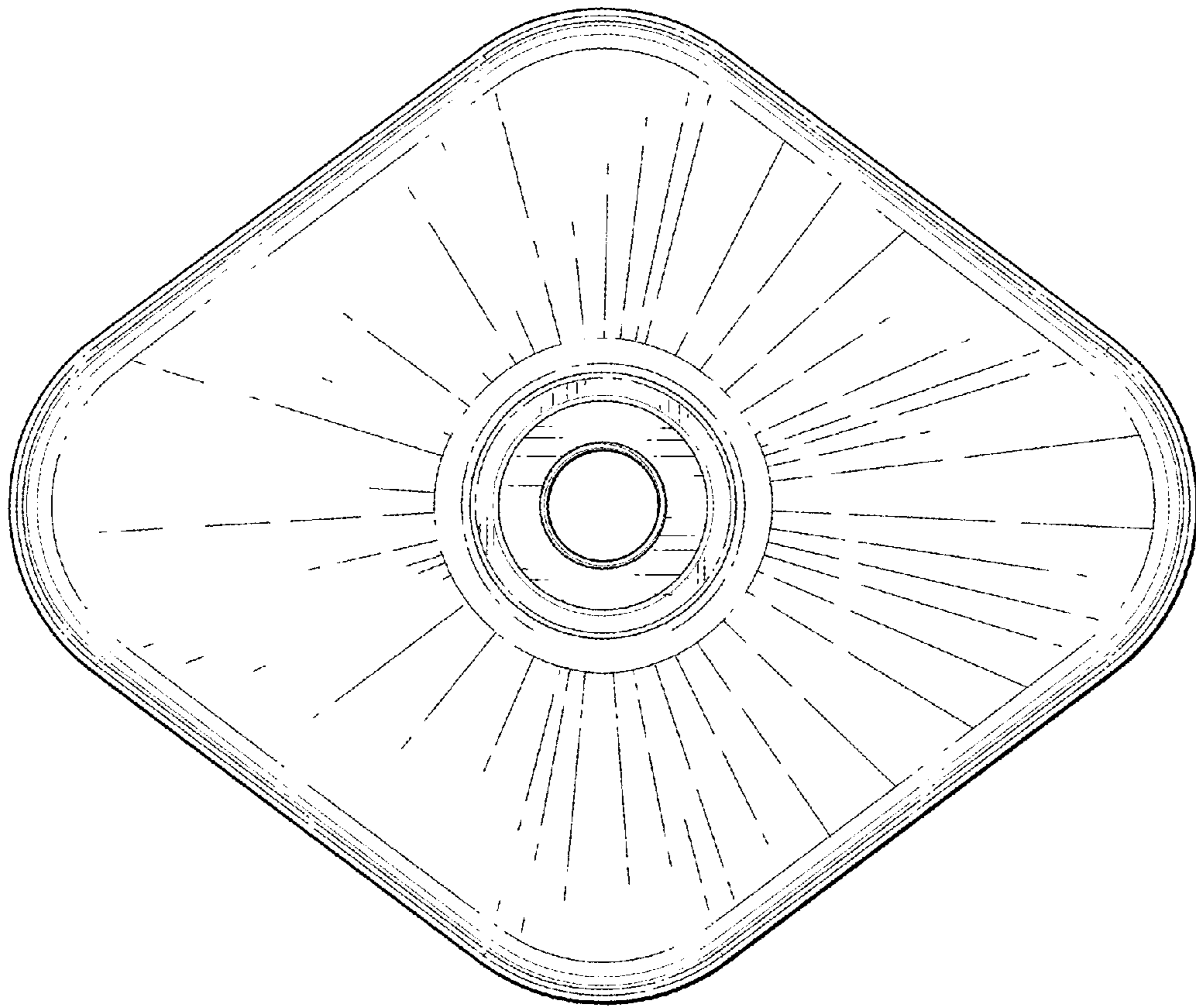


Fig. 6