



US00D700302S

(12) **United States Design Patent**
Eveleigh et al.

(10) **Patent No.:** **US D700,302 S**

(45) **Date of Patent:** **** Feb. 25, 2014**

- (54) **EMERGENCY WASH BASIN**
- (71) Applicant: **Magarl, LLC**, Naples, FL (US)
- (72) Inventors: **Robert B. Eveleigh**, Naples, FL (US);
Thomas R. Baker, Noblesville, IN (US)
- (73) Assignee: **Magarl, LLC**, Naples, FL (US)
- (**) Term: **14 Years**
- (21) Appl. No.: **29/449,950**
- (22) Filed: **Mar. 15, 2013**
- (51) **LOC (10) Cl.** **23-02**
- (52) **U.S. Cl.**
USPC **D23/284**
- (58) **Field of Classification Search**
USPC D23/272-274, 284, 286, 292-293.1,
D23/303, 308; 4/619-620, 624; D24/185,
D24/234
See application file for complete search history.

- D585,117 S * 1/2009 Slothower D23/284
- D588,240 S * 3/2009 Hanna D23/284
- D662,219 S 6/2012 Perrin et al.
- D671,228 S * 11/2012 Perrin et al. D24/232

* cited by examiner

Primary Examiner — Robert Delehanty

(74) *Attorney, Agent, or Firm* — John V. Daniluck;
Bingham, Greenebaum Doll LLP

(57) **CLAIM**

The ornamental design for an emergency wash basin, as shown and described.

DESCRIPTION

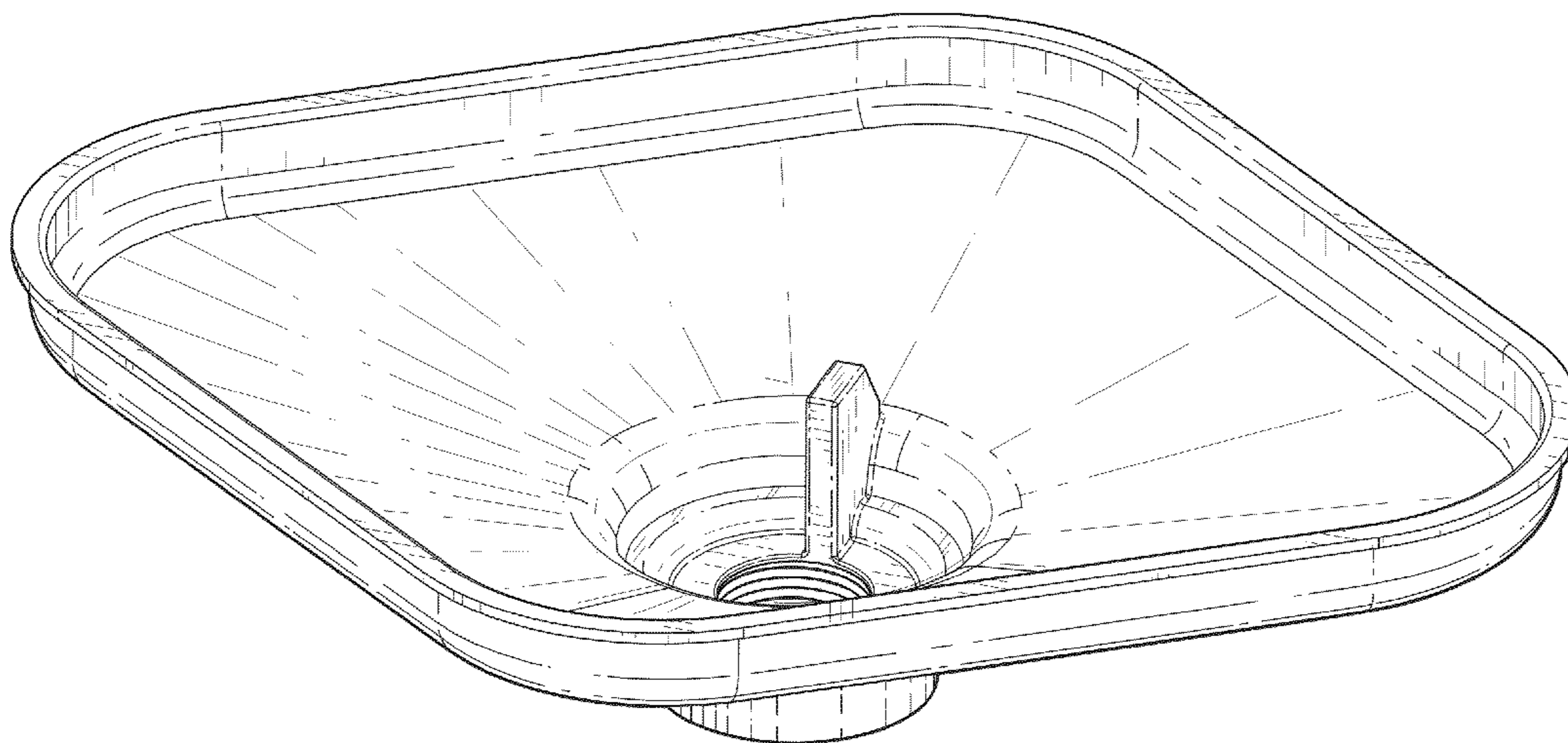
FIG. 1 is top, right, front perspective view of an emergency wash basin showing my new design;
 FIG. 2 is a bottom, right, front perspective view of the apparatus of FIG. 1.
 FIG. 3 is a front elevational view of the apparatus of FIG. 1.
 FIG. 4 is a top plan view of the apparatus of FIG. 1.
 FIG. 5 is a right side elevational view of the apparatus of FIG. 1.
 FIG. 6 is a left side elevational view of the apparatus of FIG. 1.
 FIG. 7 is a bottom plan view of the apparatus of FIG. 1; and,
 FIG. 8 is a rear elevational view of the apparatus of FIG. 1, and presented as an orthogonal view to FIG. 7.

1 Claim, 5 Drawing Sheets

(56) **References Cited**

U.S. PATENT DOCUMENTS

- D218,237 S * 8/1970 Cline D23/290
- D414,548 S * 9/1999 Westcott et al. D23/284
- D435,892 S * 1/2001 Henry et al. D23/284
- D559,365 S * 1/2008 Plikuhn D23/284



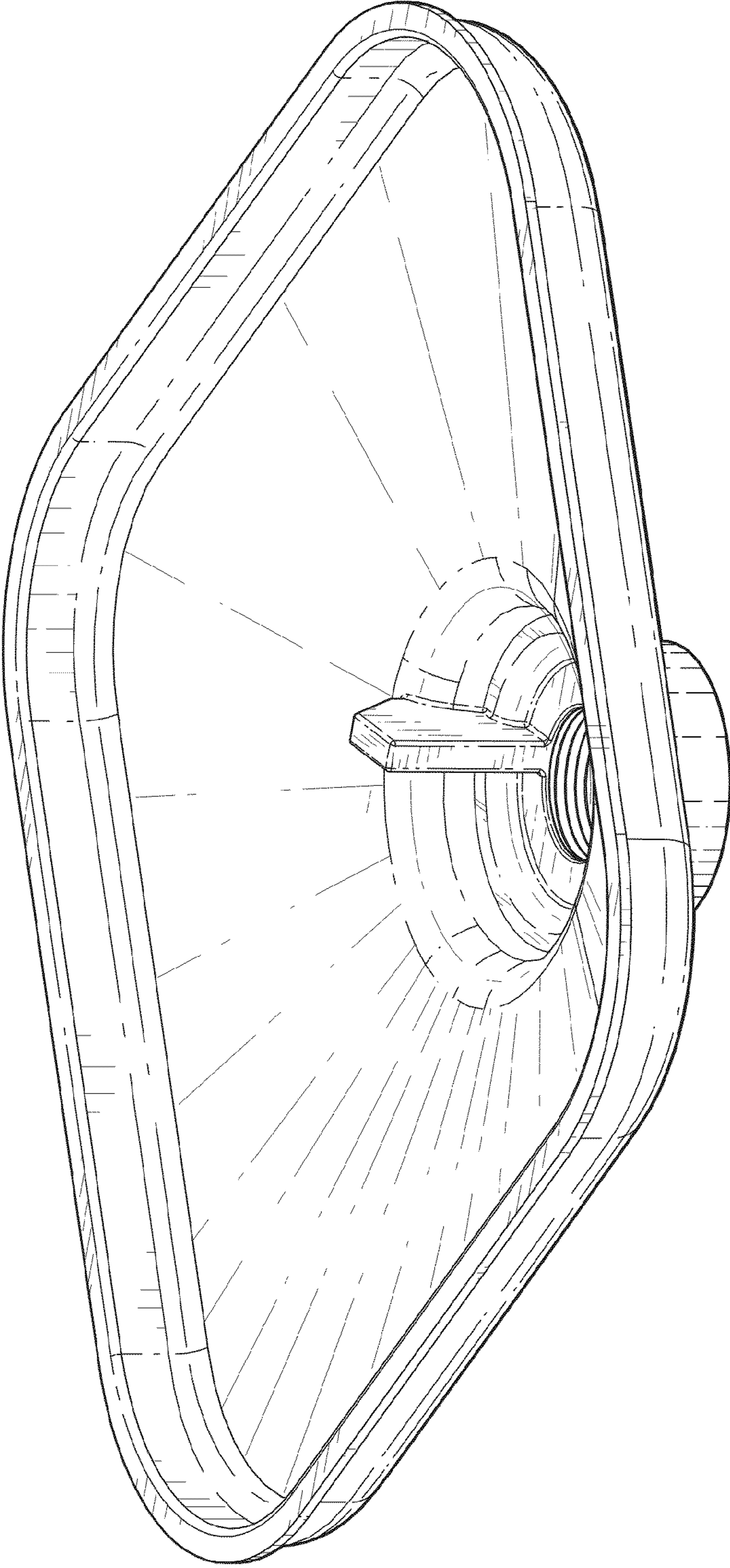


Fig. 1

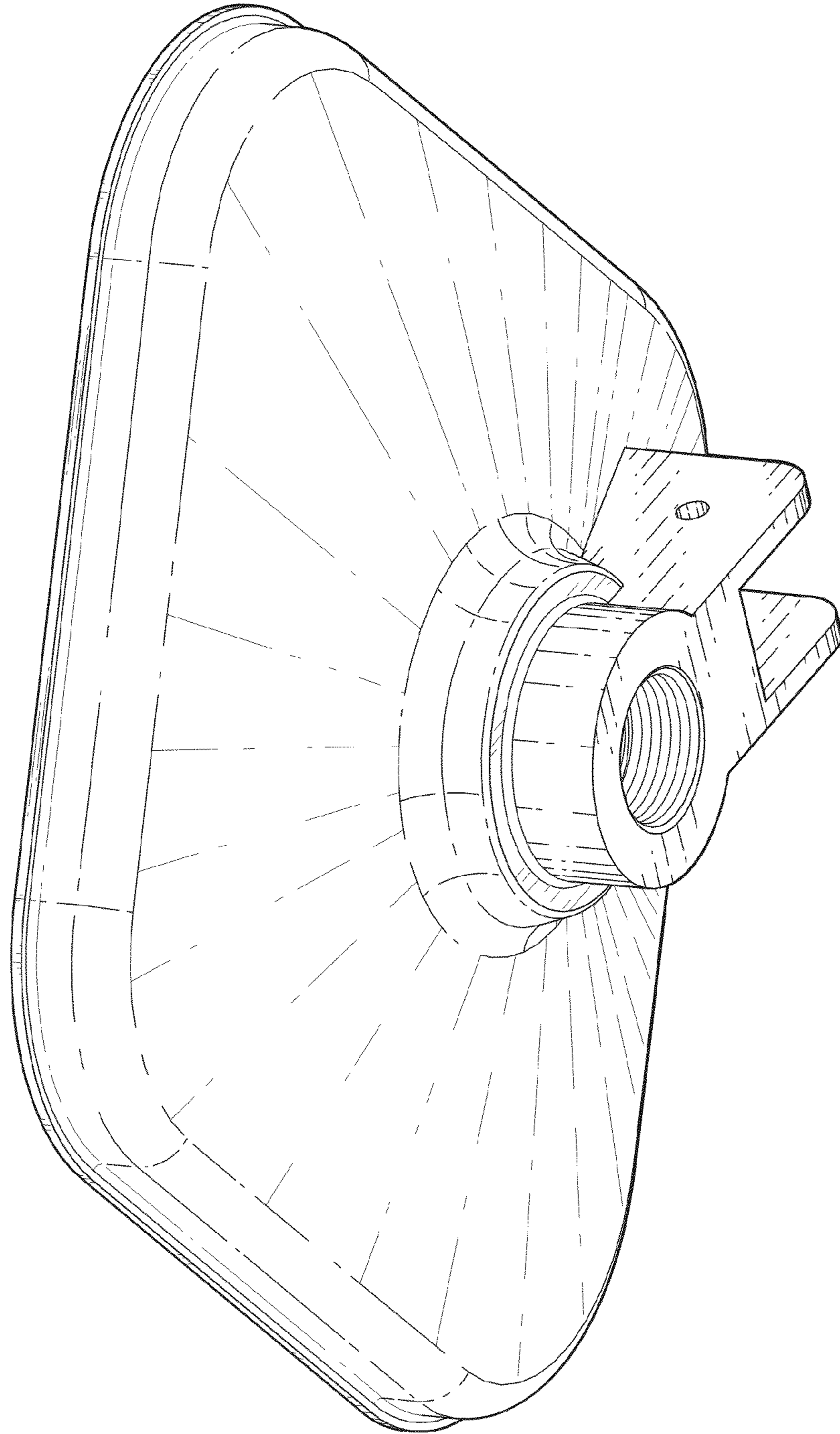


Fig. 2

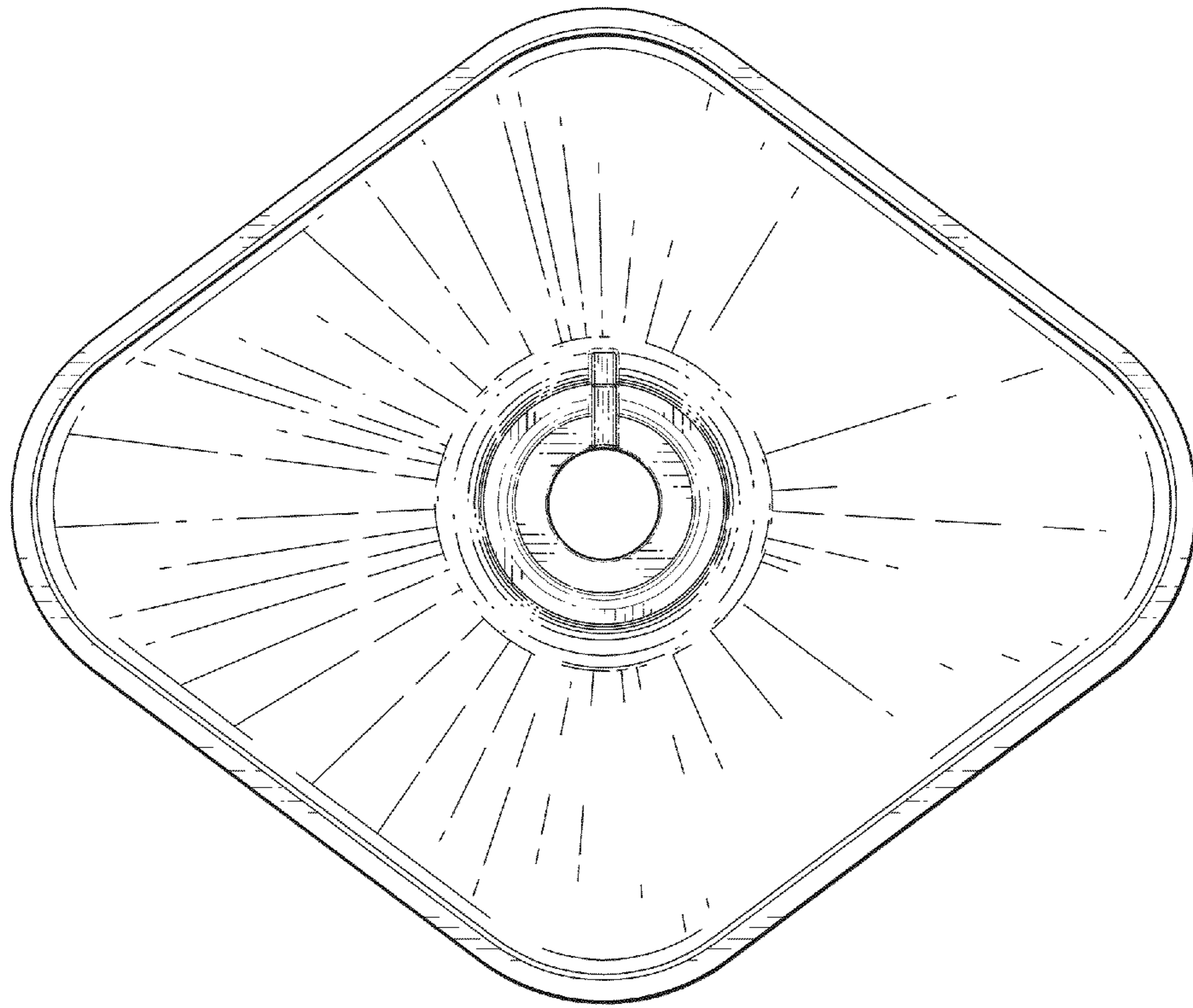


Fig. 4

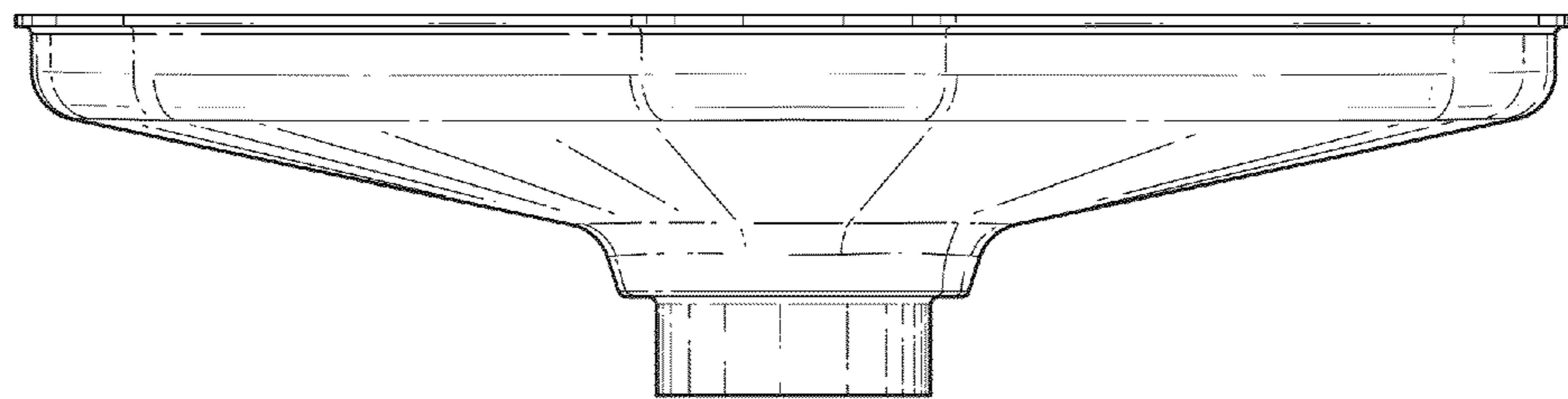


Fig. 3

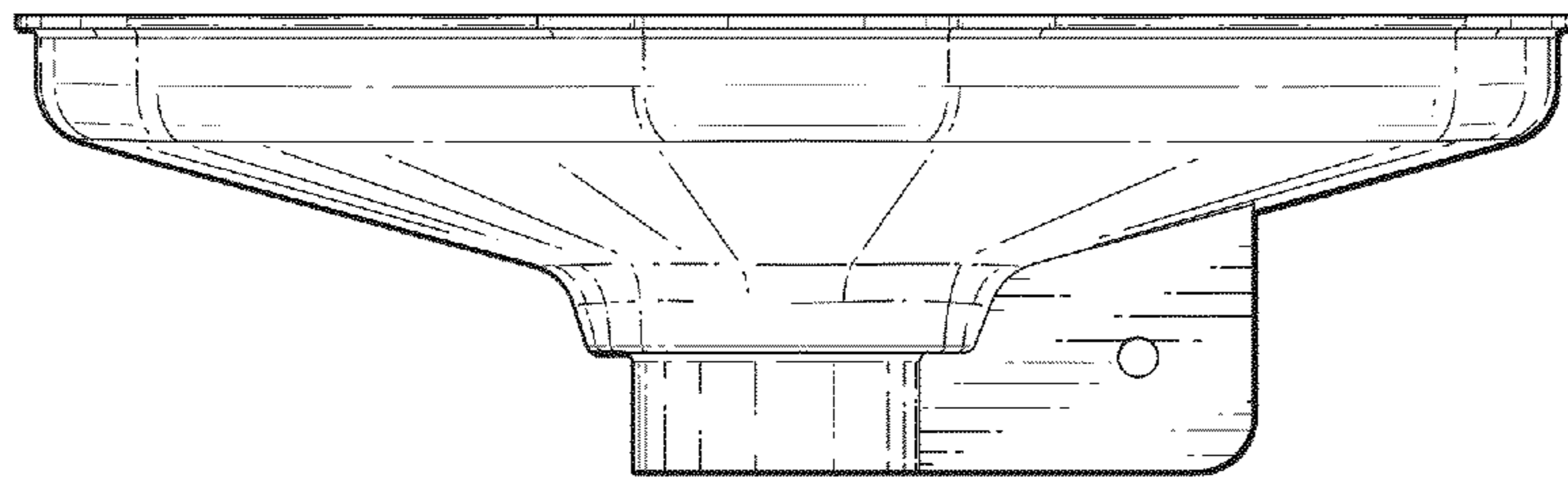


Fig. 5

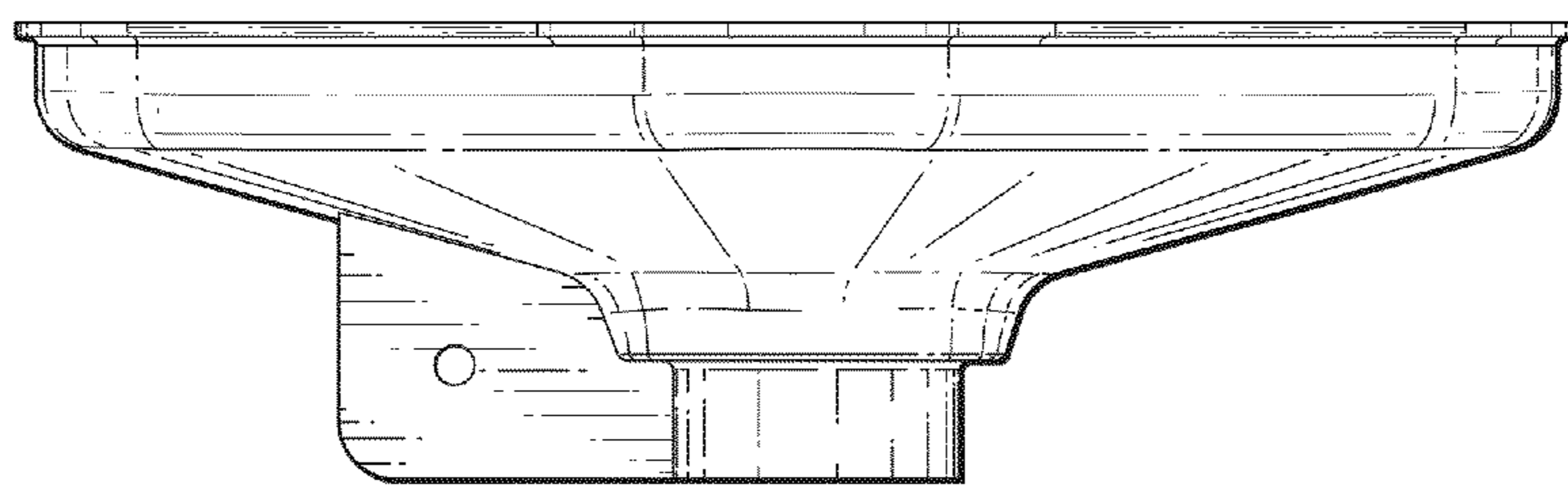


Fig. 6

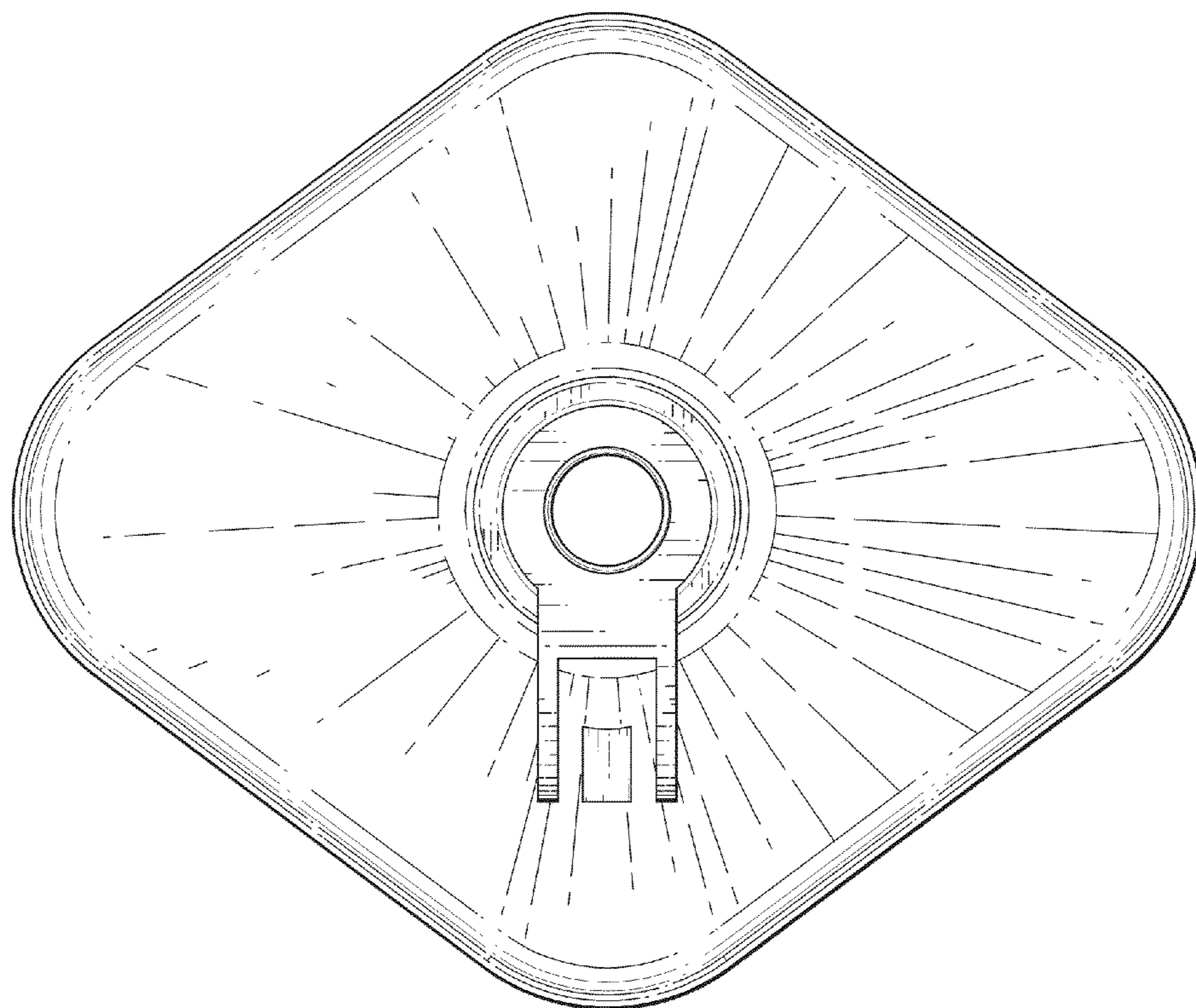


Fig. 7

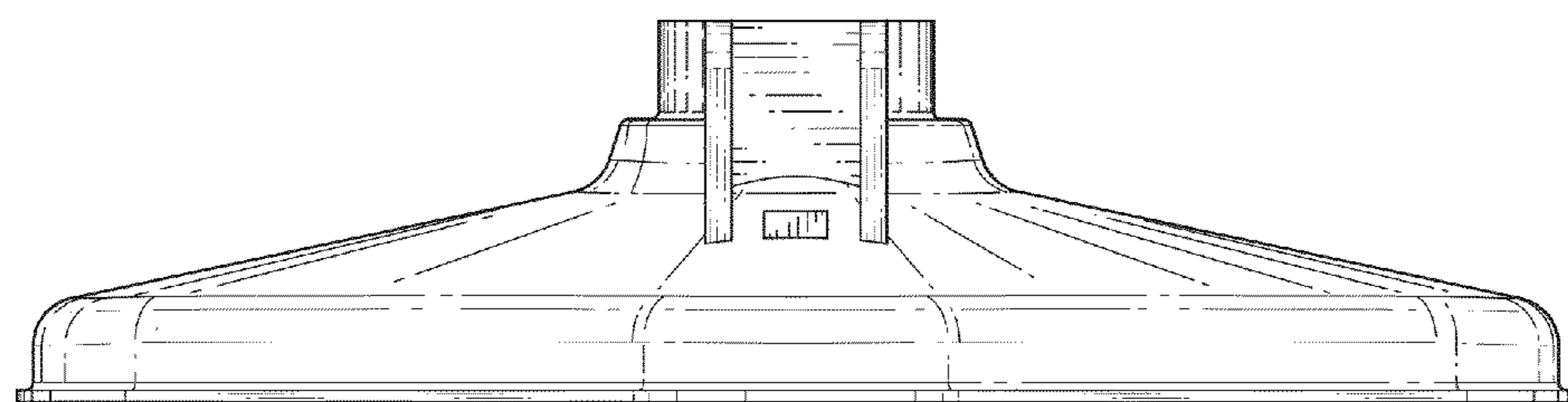


Fig. 8