



US00D700298S

(12) **United States Design Patent**
Flowers et al.

(10) **Patent No.:** **US D700,298 S**
(45) **Date of Patent:** **** Feb. 25, 2014**

(54) **PRESSURE BALANCING VALVE**
(71) Applicant: **Grohe AG**, Hemer (DE)
(72) Inventors: **Paul Flowers**, Duesseldorf (DE); **Jochen Allard**, Menden (DE)
(73) Assignee: **Grohe AG**, Hemer (DE)
(**) Term: **14 Years**

Primary Examiner — Robert Delehanty
(74) *Attorney, Agent, or Firm* — Muncy, Geissler, Olds & Lowe, PLLC

(21) Appl. No.: **29/465,377**
(22) Filed: **Aug. 27, 2013**

(57) **CLAIM**
The ornamental design for a pressure balancing valve, as shown and described.

(30) **Foreign Application Priority Data**
Apr. 2, 2013 (EM) 002212399-0008
(51) **LOC (10) Cl.** **23-01**
(52) **U.S. Cl.**
USPC **D23/254**
(58) **Field of Classification Search**
USPC D23/238–243, 249–250, 252, 254;
4/675–678; 137/359, 801;
D8/350–353; 16/402
See application file for complete search history.

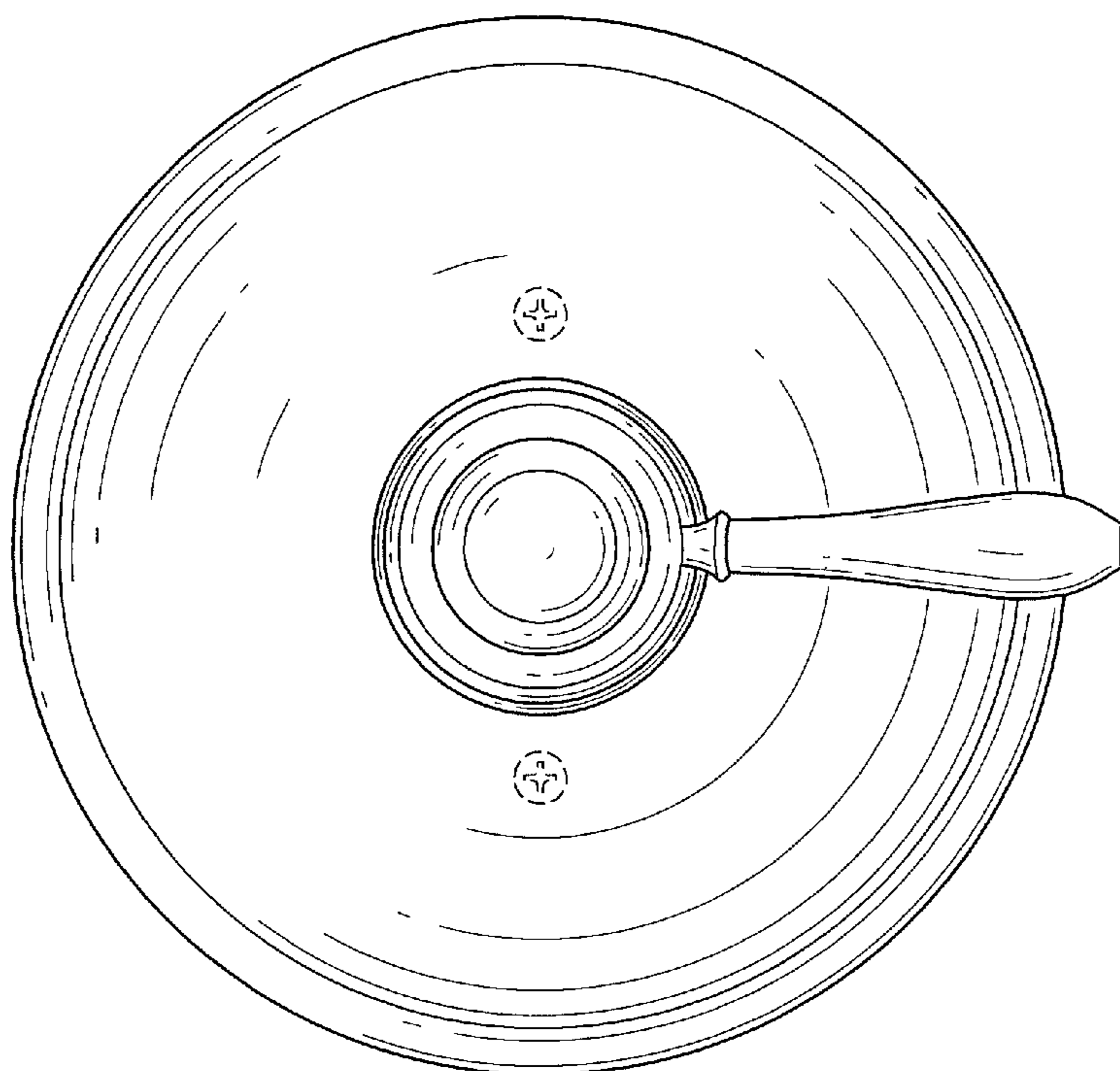
DESCRIPTION

FIG. 1 is a front elevational view of a pressure balancing valve according to the present invention.
FIG. 2 is a rear elevational view of the pressure balancing valve of FIG. 1.
FIG. 3 is a right side elevational view of the pressure balancing valve of FIG. 1.
FIG. 4 is a left side elevational view of the pressure balancing valve of FIG. 1.
FIG. 5 is a top plan view of the pressure balancing valve of FIG. 1.
FIG. 6 is a bottom plan view of the pressure balancing valve of FIG. 1; and,
FIG. 7 is a perspective view of the pressure balancing valve of FIG. 1.
The dashed lines illustrate environment that does not form a part of the present invention, and no claim is made to the material illustrated with dashed lines.

(56) **References Cited**
U.S. PATENT DOCUMENTS
D461,534 S * 8/2002 Green et al. D23/252
D686,305 S * 7/2013 Flowers et al. D23/254

* cited by examiner

1 Claim, 7 Drawing Sheets



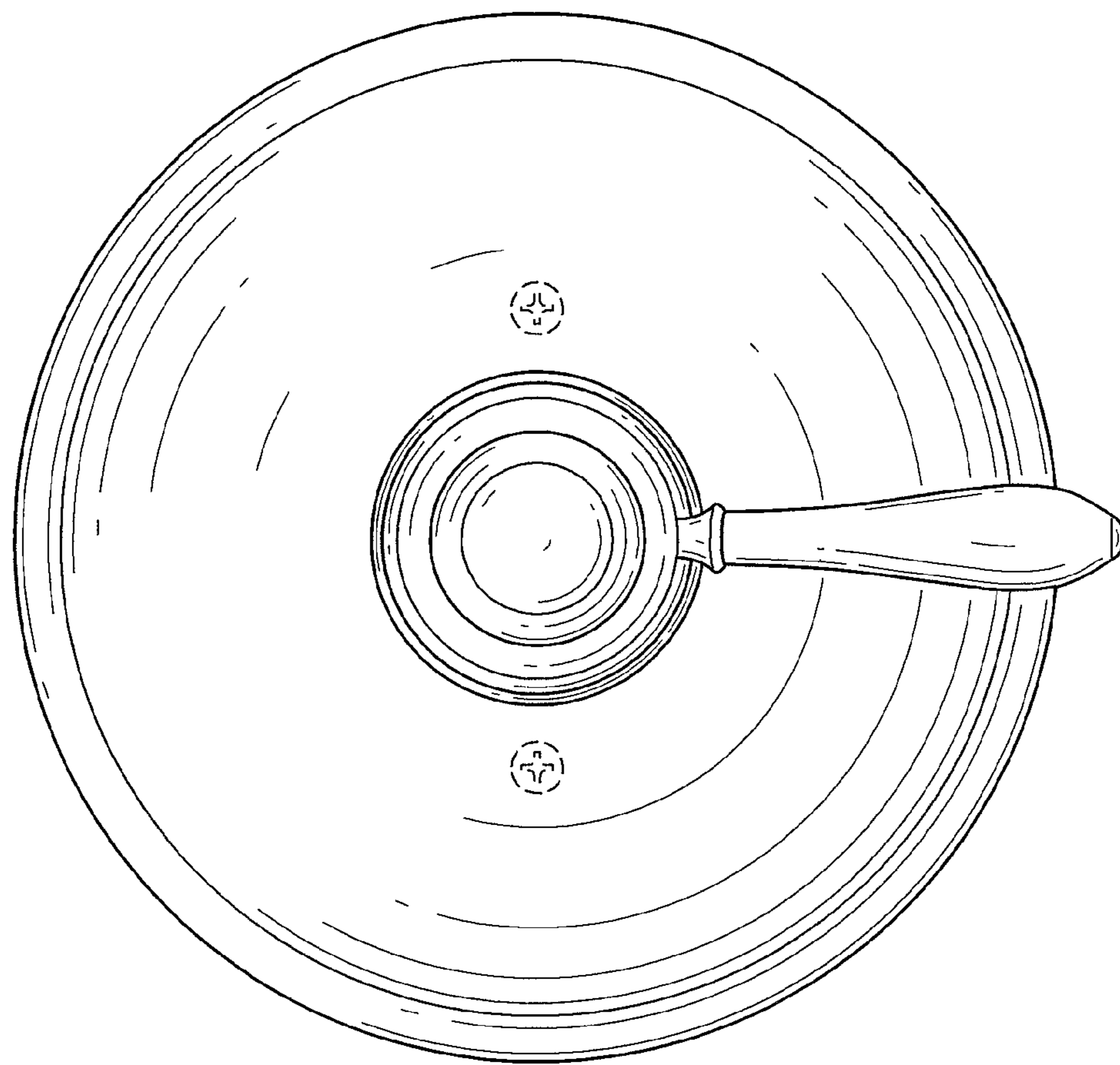


FIG.1

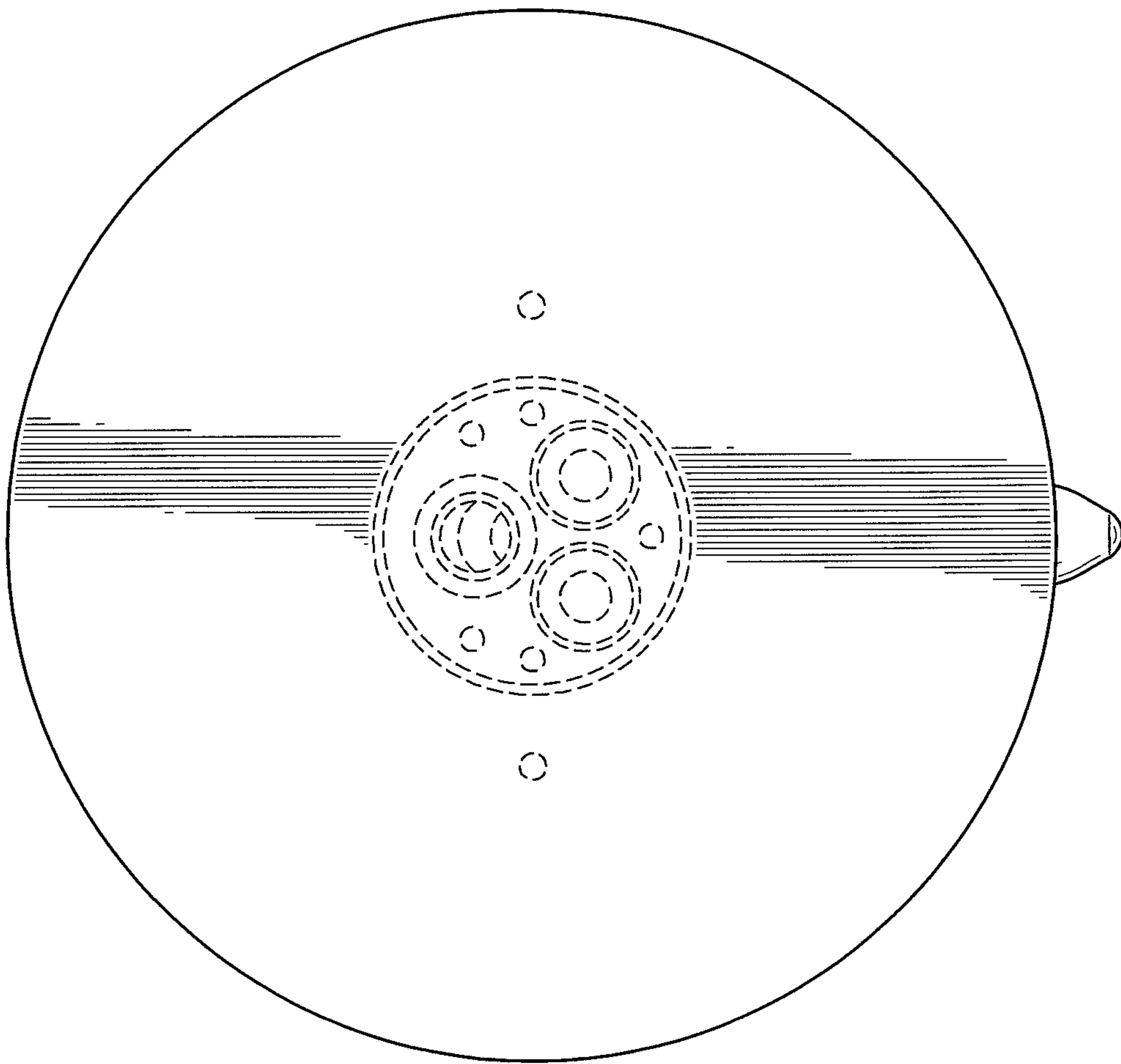


FIG.2

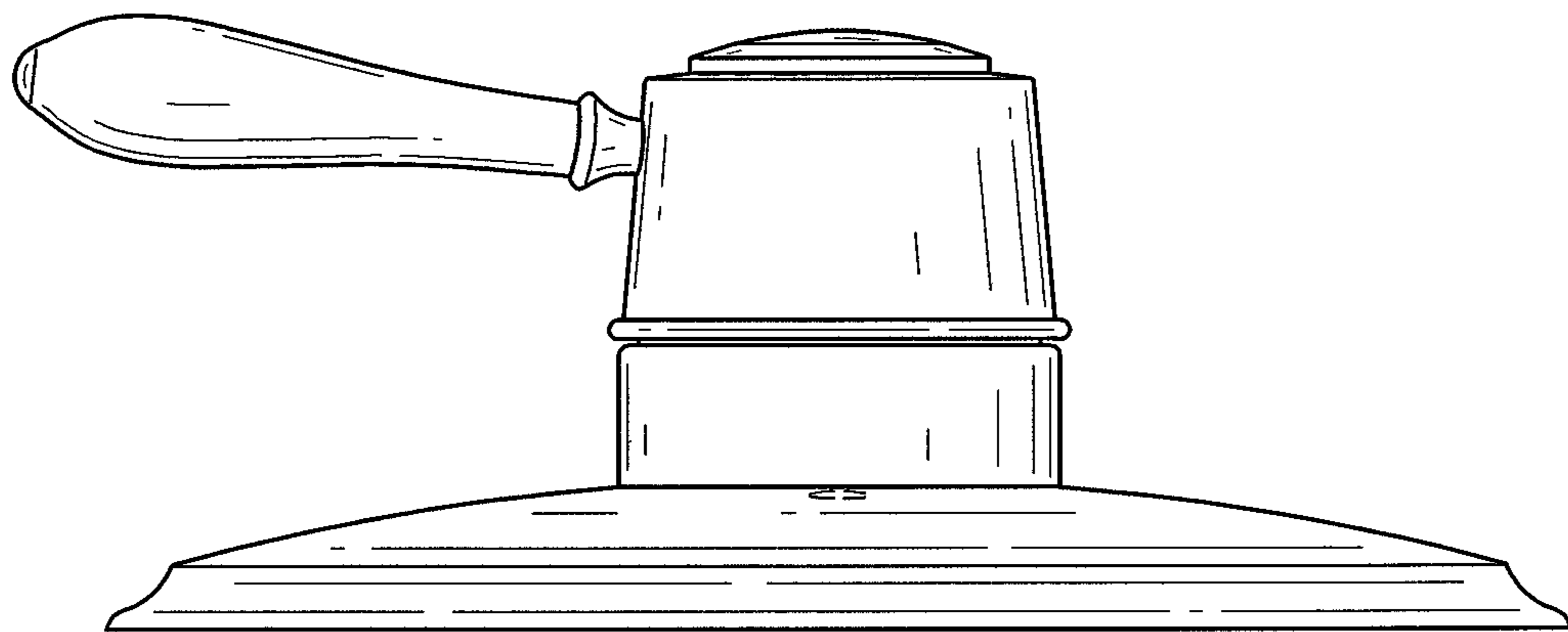


FIG.3

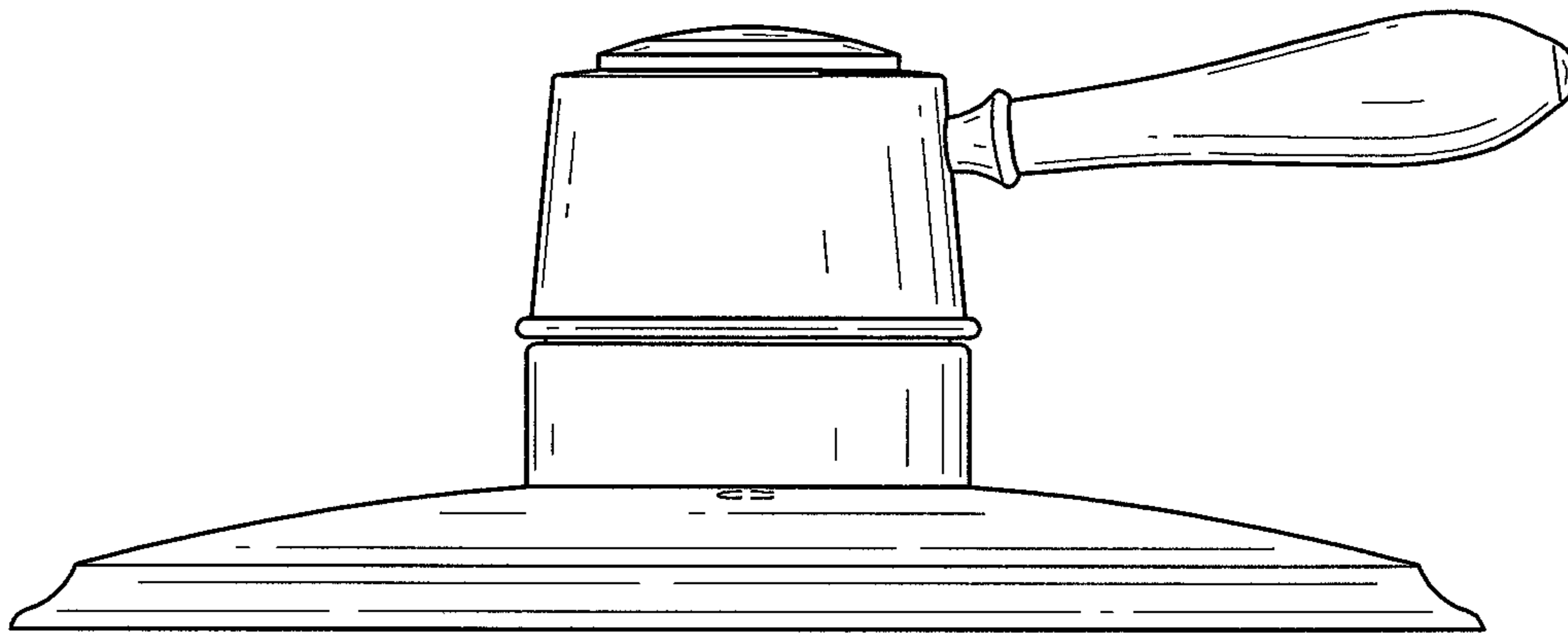


FIG.4

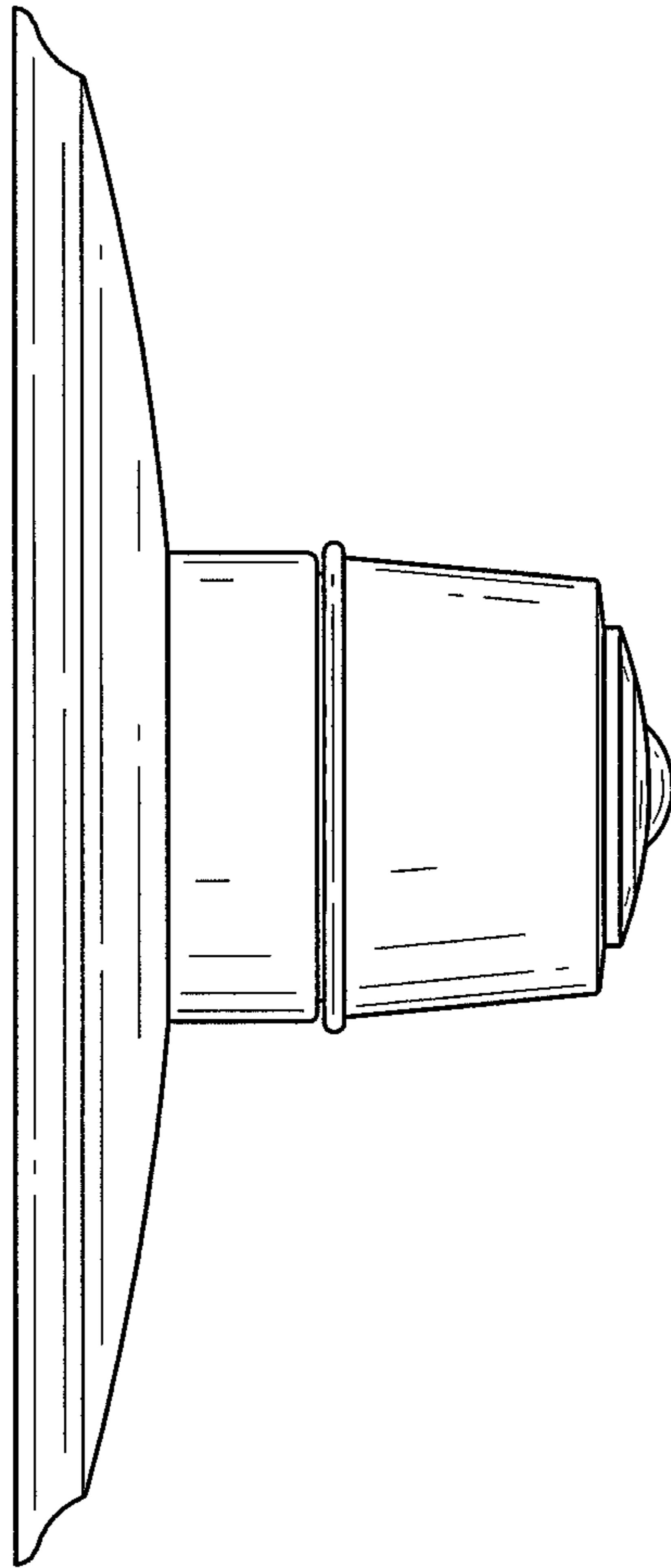


FIG.5

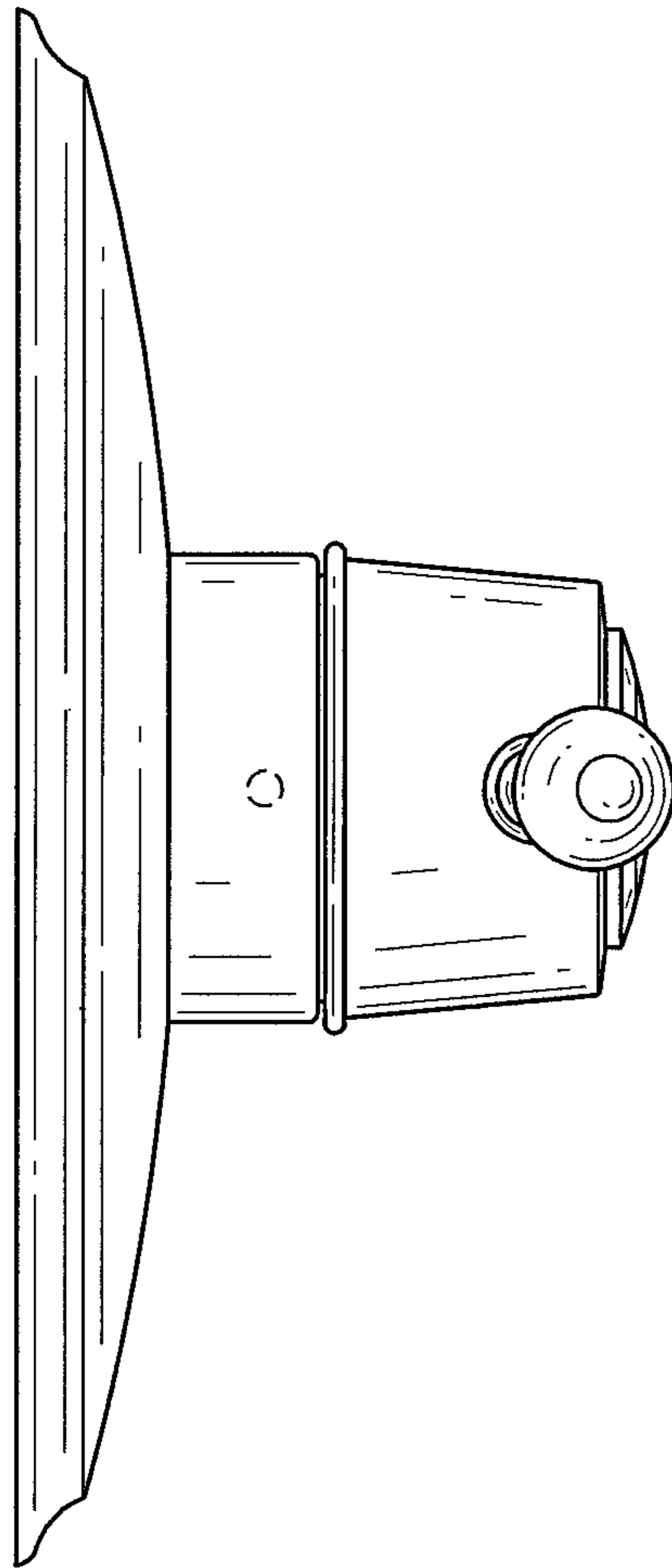


FIG.6

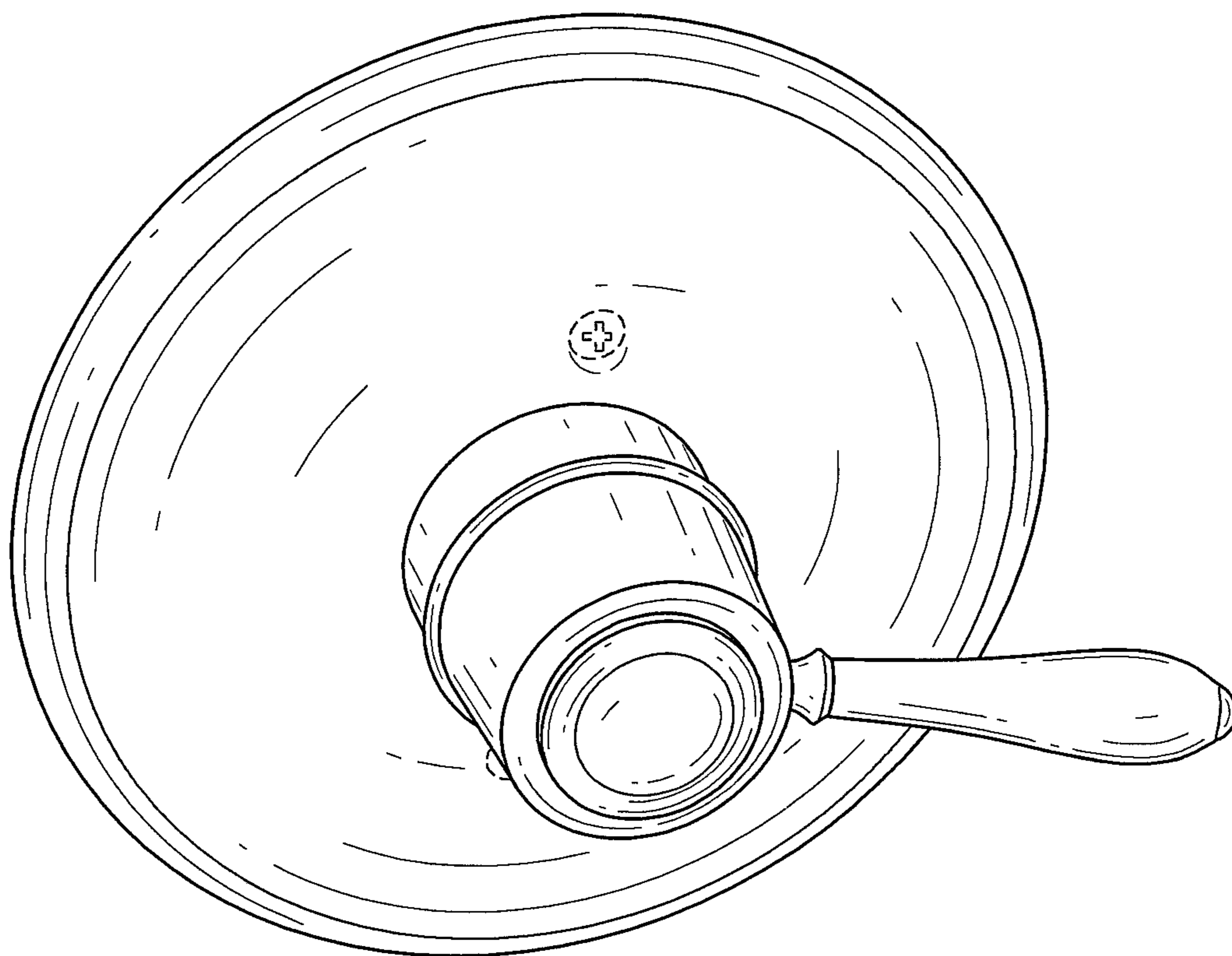


FIG.7