



US00D700297S

(12) **United States Design Patent**
Flowers et al.

(10) **Patent No.:** **US D700,297 S**

(45) **Date of Patent:** **** Feb. 25, 2014**

(54) **VALVE AND TEMPERATURE CONTROL**

(71) Applicant: **Grohe AG**, Hemer (DE)

(72) Inventors: **Paul Flowers**, Duesseldorf (DE);
Antoine Besseyre Des Horts,
Duesseldorf (DE)

(73) Assignee: **Grohe AG**, Hemer (DE)

(**) Term: **14 Years**

(21) Appl. No.: **29/447,919**

(22) Filed: **Mar. 7, 2013**

(51) **LOC (10) Cl.** **23-01**

(52) **U.S. Cl.**
USPC **D23/254**

(58) **Field of Classification Search**
USPC D23/238–243, 249–250, 252, 254;
4/675–678; 137/359, 801;
D8/350–353; 16/402

See application file for complete search history.

(56) **References Cited**

U.S. PATENT DOCUMENTS

D87,830 S * 9/1932 Ferguson D23/252
D336,947 S * 6/1993 Gottwald D23/250
D441,059 S * 4/2001 Fleischmann D23/254

D450,810 S * 11/2001 Gottwald D23/254
D459,445 S * 6/2002 Mullenmeister D23/254
D610,238 S * 2/2010 Urquiola D23/250
D665,886 S * 8/2012 Flowers et al. D23/254
D677,758 S * 3/2013 Mendoza et al. D23/252

* cited by examiner

Primary Examiner — Robert Delehanty

(74) *Attorney, Agent, or Firm* — Muncy, Geissler, Olds & Lowe, P.C.

(57) **CLAIM**

The ornamental design for a valve and temperature control, as shown and described.

DESCRIPTION

FIG. 1 is a left side elevational view of a valve and temperature control according to the present invention, the right side elevational view being a mirror image thereof.

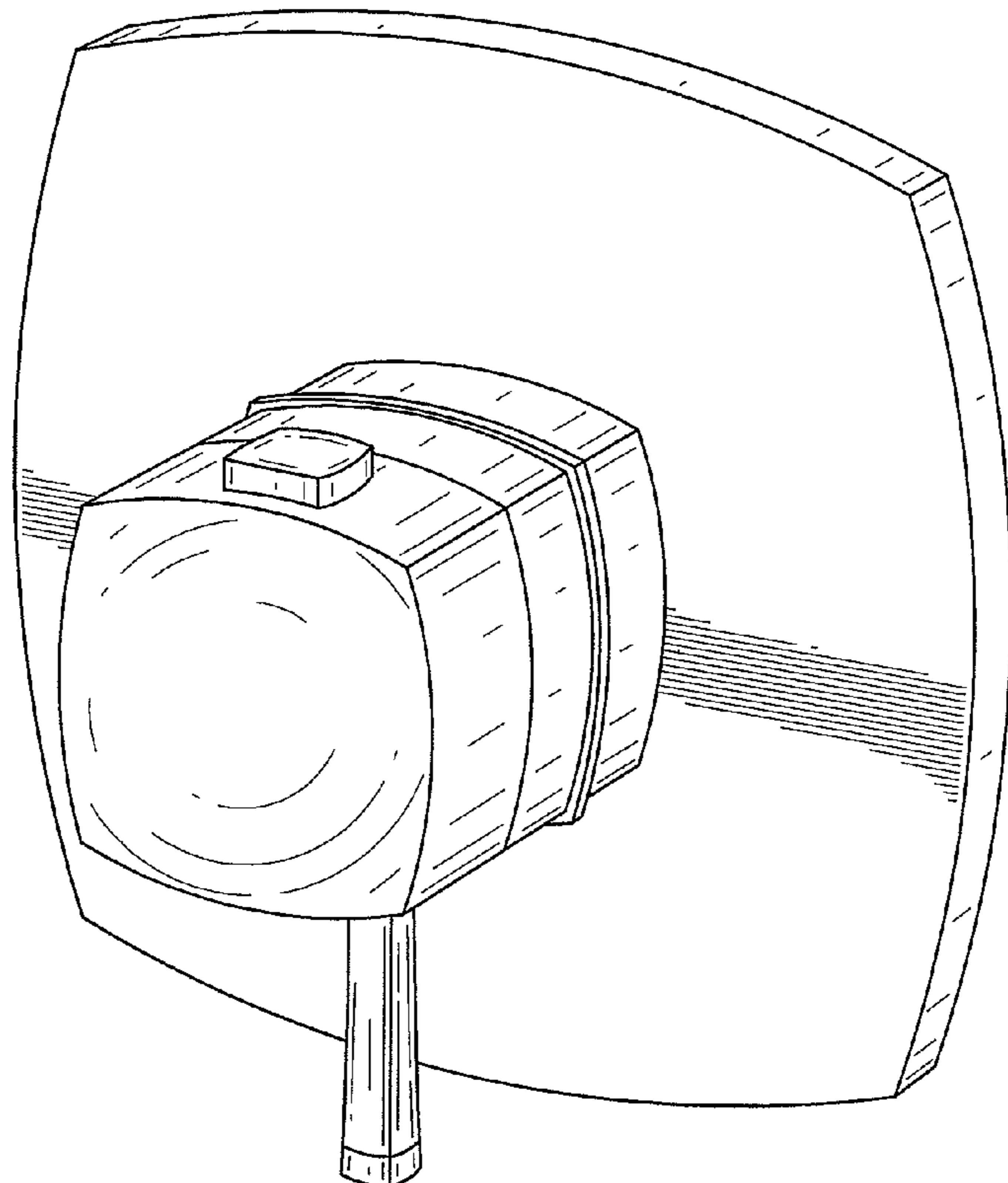
FIG. 2 is a front elevational view of the valve and temperature control of FIG. 1, the rear of the valve and temperature control being unornamented.

FIG. 3 is a top plan view of the valve and temperature control of FIG. 1.

FIG. 4 is a bottom plan view of the valve and temperature control of FIG. 1; and,

FIG. 5 is a perspective view of the valve and temperature control of FIG. 1.

1 Claim, 5 Drawing Sheets



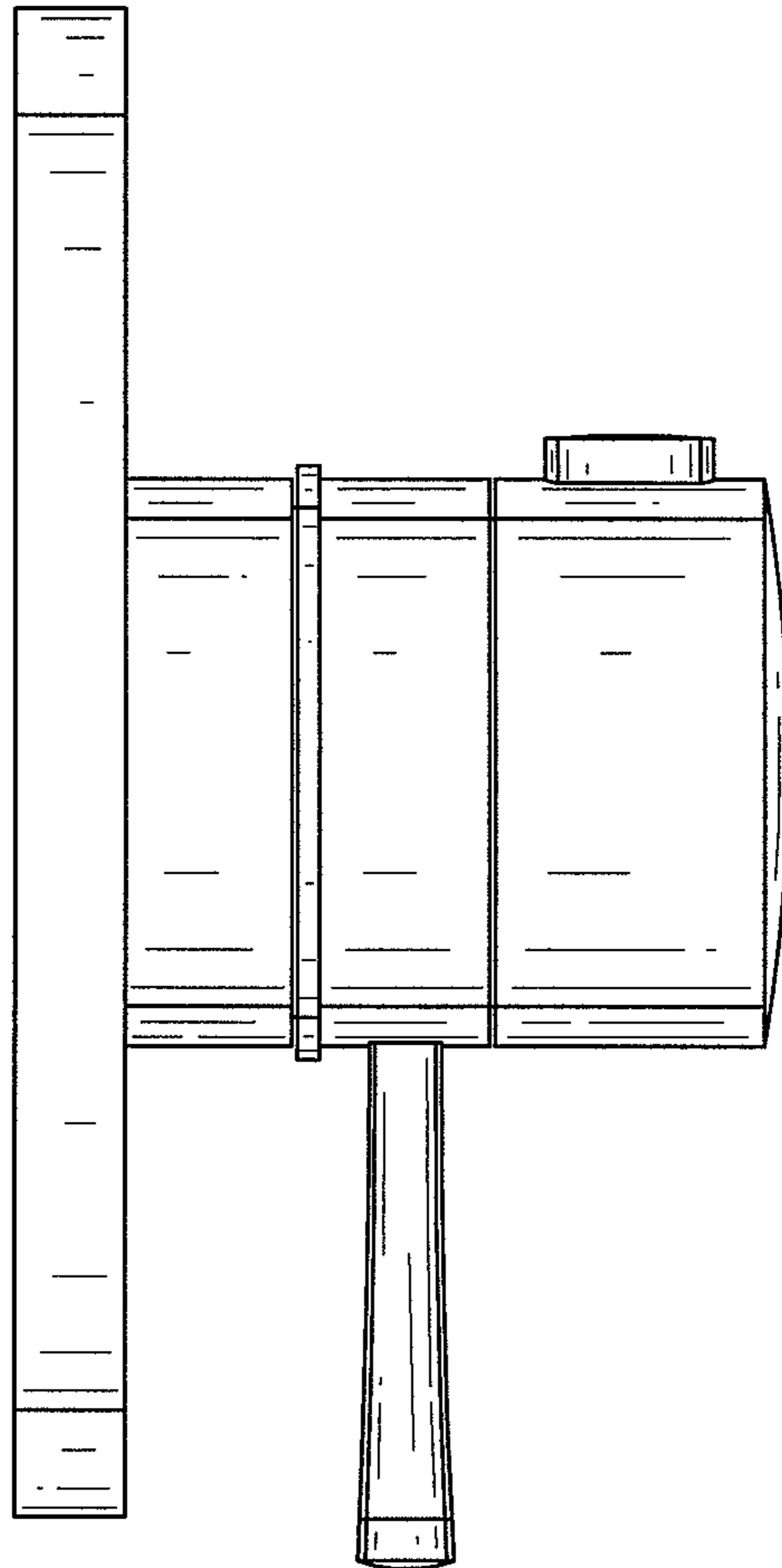


FIG.1

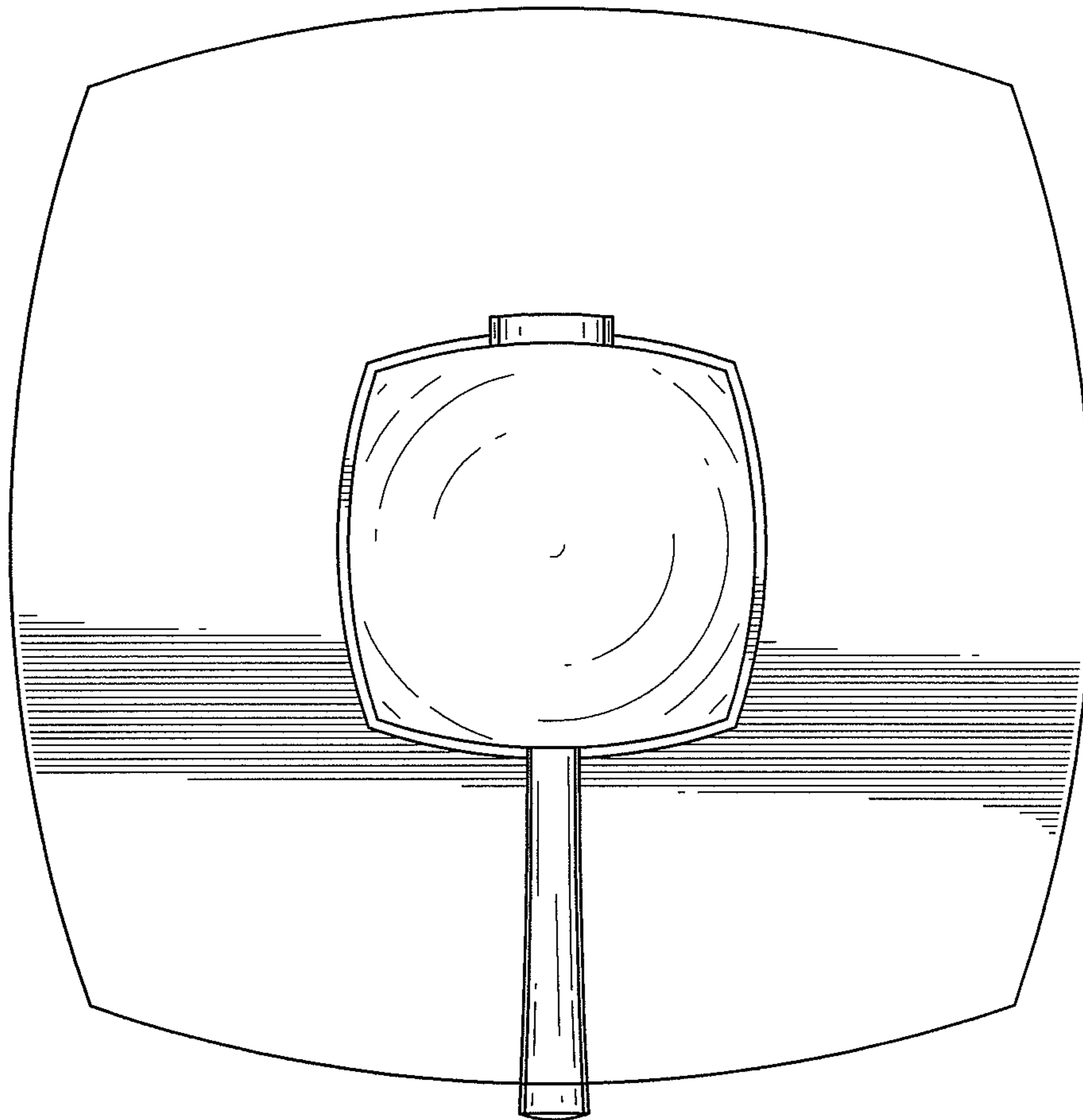


FIG.2

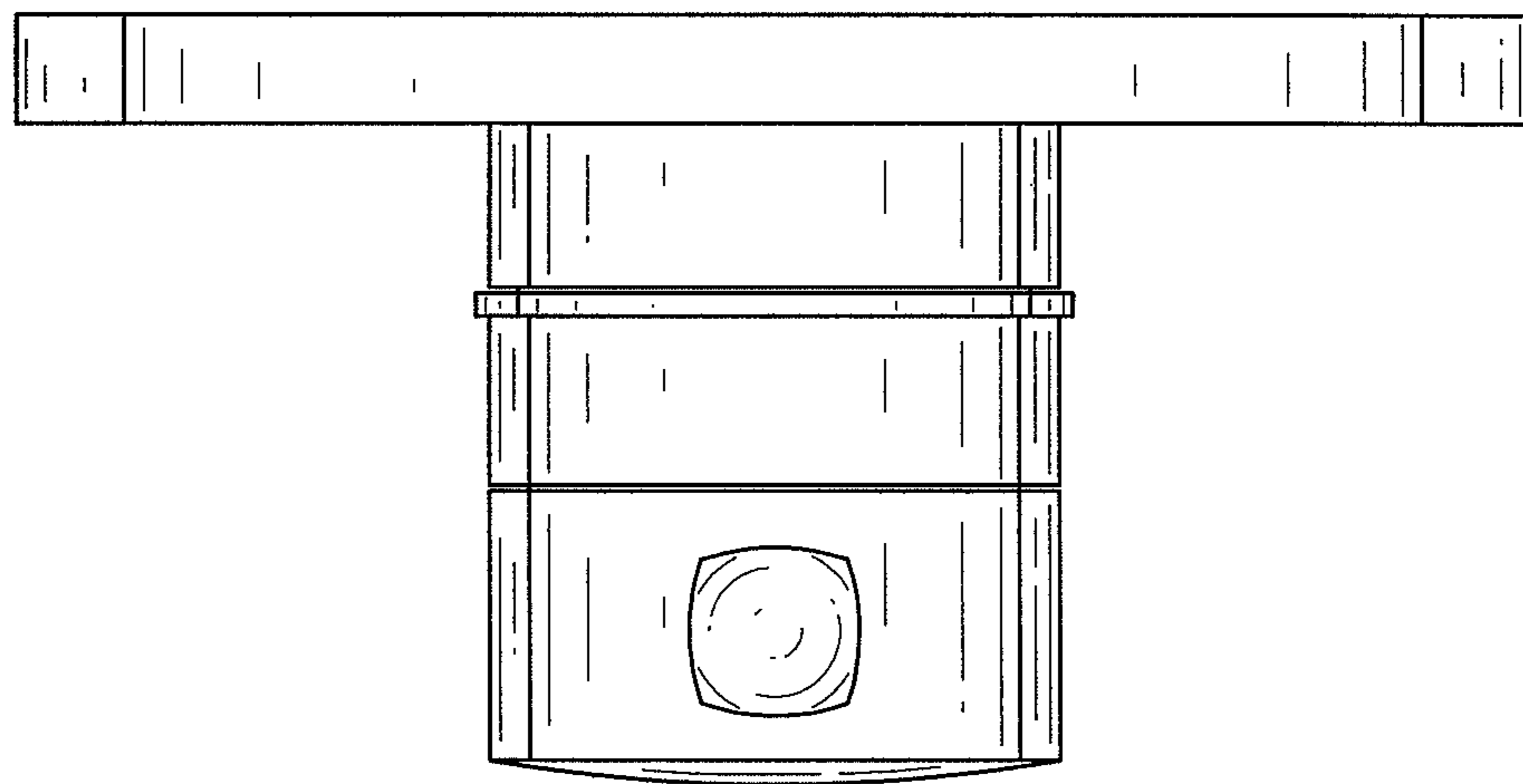


FIG.3

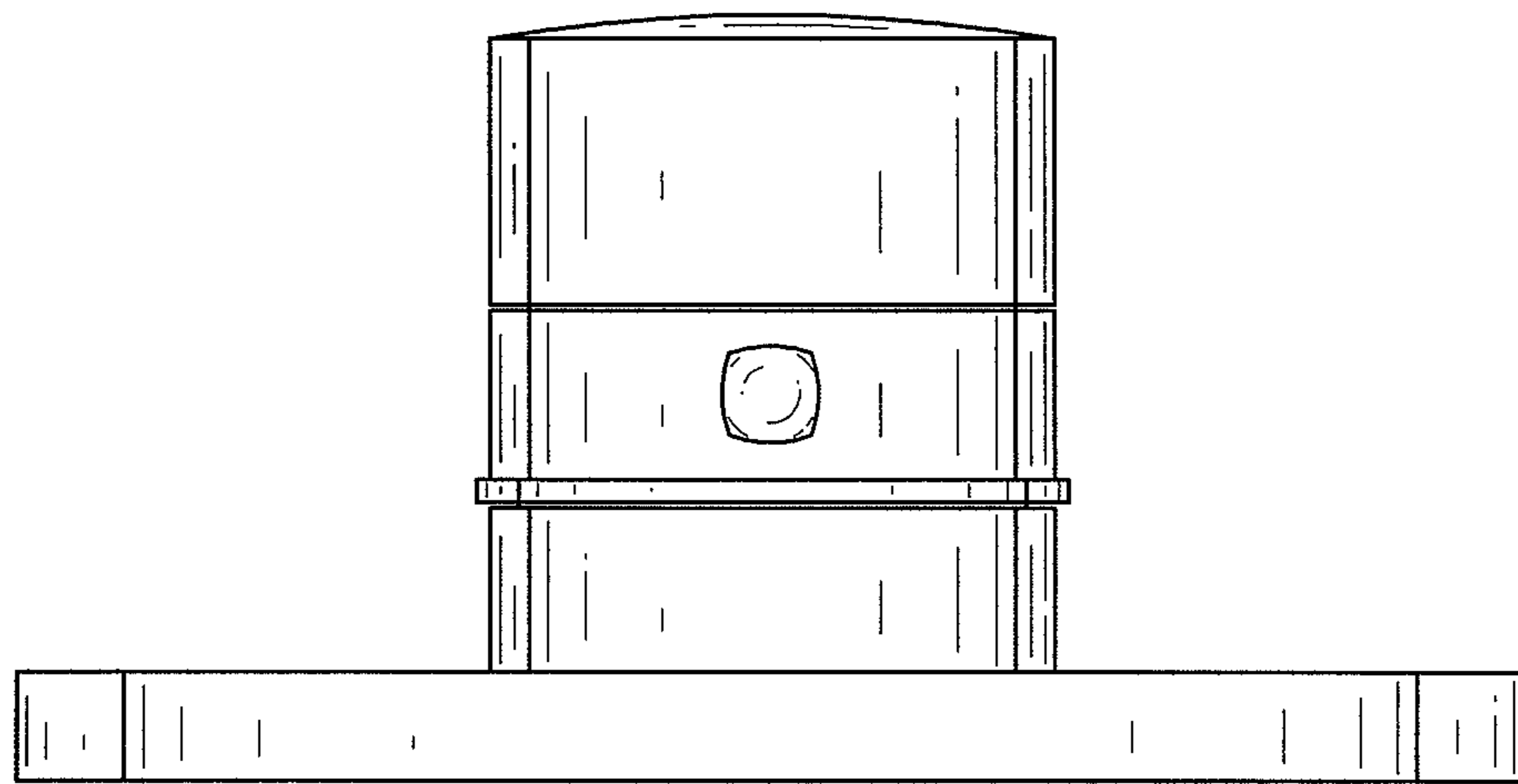


FIG.4

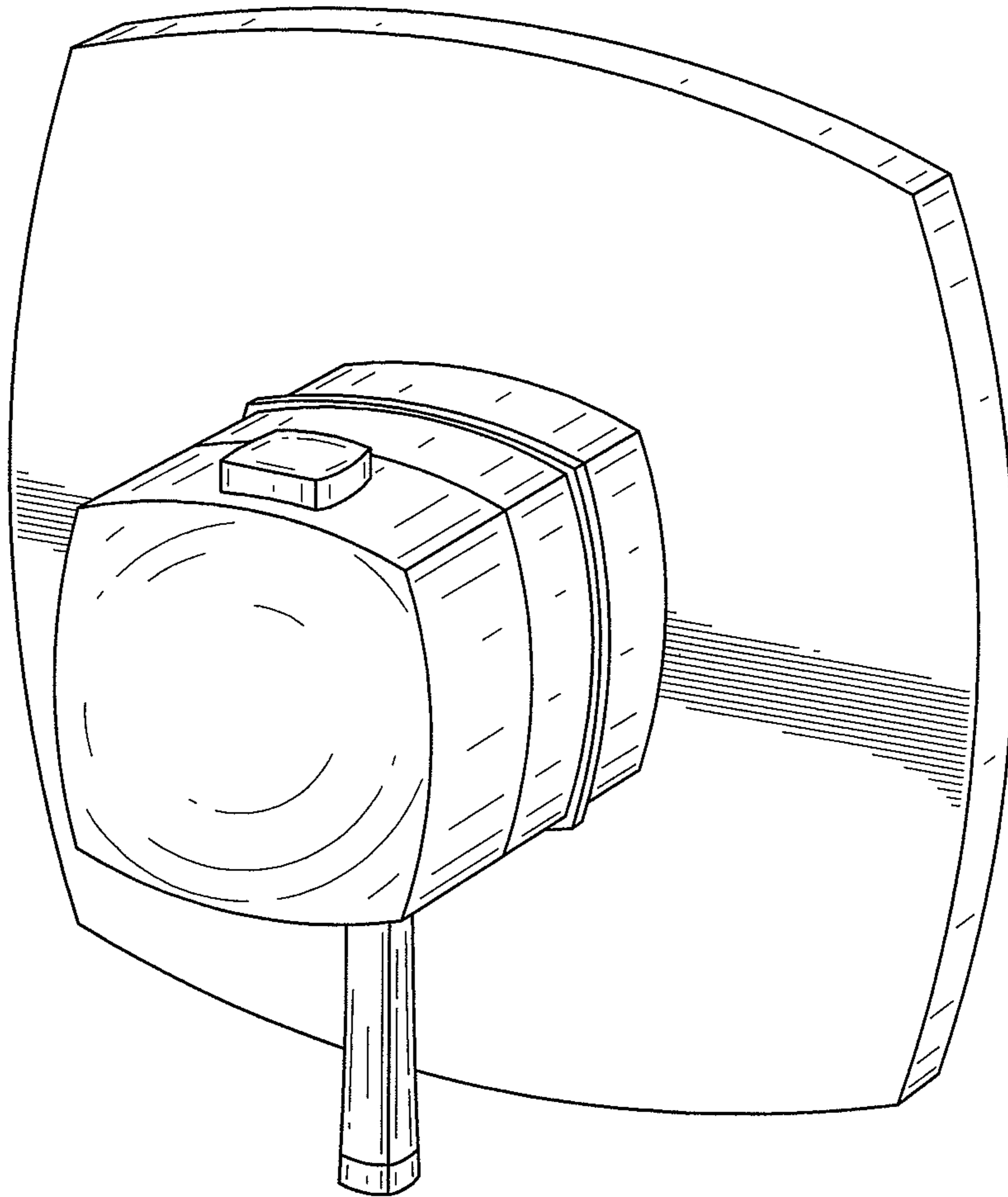


FIG.5