



US00D700290S

(12) **United States Design Patent**
Schoenherr et al.

(10) **Patent No.:** **US D700,290 S**

(45) **Date of Patent:** **** Feb. 25, 2014**

(54) **SHOWER CONTROL**

FOREIGN PATENT DOCUMENTS

(71) Applicant: **Hansgrohe SE**, Schiltach (DE)

EM 000349766-0001 5/2005

(72) Inventors: **Tom Schoenherr**, Stuttgart (DE); **Marco Flaig**, Stuttgart (DE)

EM 000349766-0002 5/2005

EM 000349766-0003 5/2005

EM 000349766-0004 5/2005

EM 000652490-0001 1/2007

(73) Assignee: **Hansgrohe SE**, Schiltach (DE)

OTHER PUBLICATIONS

(**) Term: **14 Years**

Brochure—Dornbracht Balance Modules—5 pgs., Aloys F. Dornbracht GmbH & Co. KG Armaturenfabrik, Iserlohn, Germany, at least as early as Mar. 15, 2005.

(21) Appl. No.: **29/433,473**

(22) Filed: **Oct. 1, 2012**

* cited by examiner

(30) **Foreign Application Priority Data**

Primary Examiner — Robert Delehanty

Apr. 4, 2012 (EM) 001321129-0001

(74) *Attorney, Agent, or Firm* — Lora J. Graentzdoerffer

(51) **LOC (10) Cl.** **23-01**

(57) **CLAIM**

(52) **U.S. Cl.**
USPC **D23/254**

The ornamental design for a shower control, as shown and described.

(58) **Field of Classification Search**
USPC D23/238–243, 249–250, 252, 254;
4/675–678; 137/359, 801;
D8/350–353; 16/402
See application file for complete search history.

DESCRIPTION

(56) **References Cited**

FIG. 1 is a perspective view of a shower control showing our design;
FIG. 2 is a front elevational view thereof;
FIG. 3 is a left side elevational view thereof;
FIG. 4 is a right side elevational view thereof;
FIG. 5 is a top plan view thereof; and,
FIG. 6 is a bottom plan view thereof.
The broken-line disclosure in the views represents portions of the article in which the claimed design is embodied, but which form no part of the claimed design.

U.S. PATENT DOCUMENTS

D233,234 S * 10/1974 Arbon D23/228
D371,433 S * 7/1996 Lobermeier D23/304
D542,384 S * 5/2007 Starck D23/254
D576,708 S * 9/2008 Citterio D23/238
D610,237 S * 2/2010 Schonherr et al. D23/245
D627,861 S * 11/2010 Sandee et al. D23/254
D631,946 S * 2/2011 Allard et al. D23/250

1 Claim, 6 Drawing Sheets

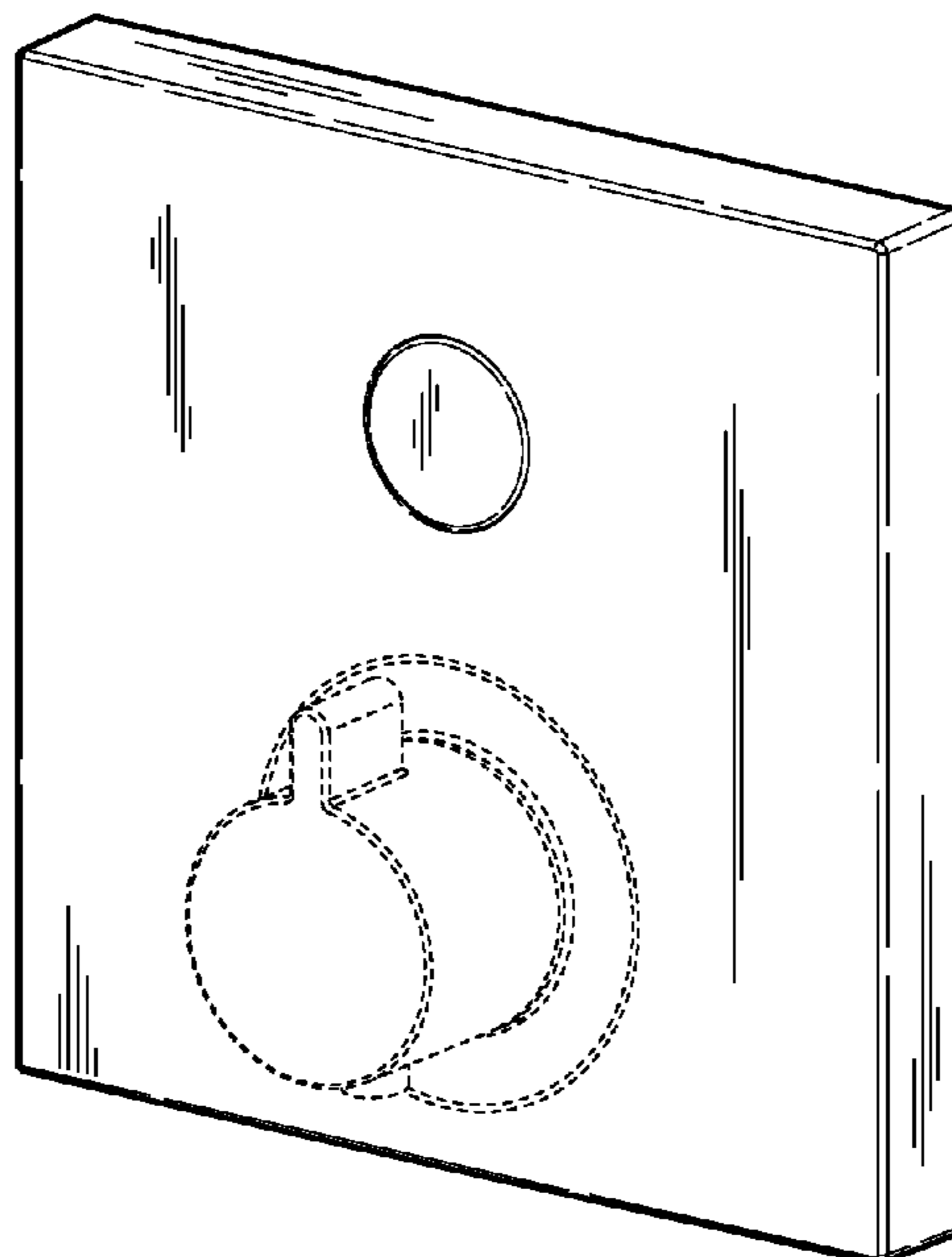


FIG. 1

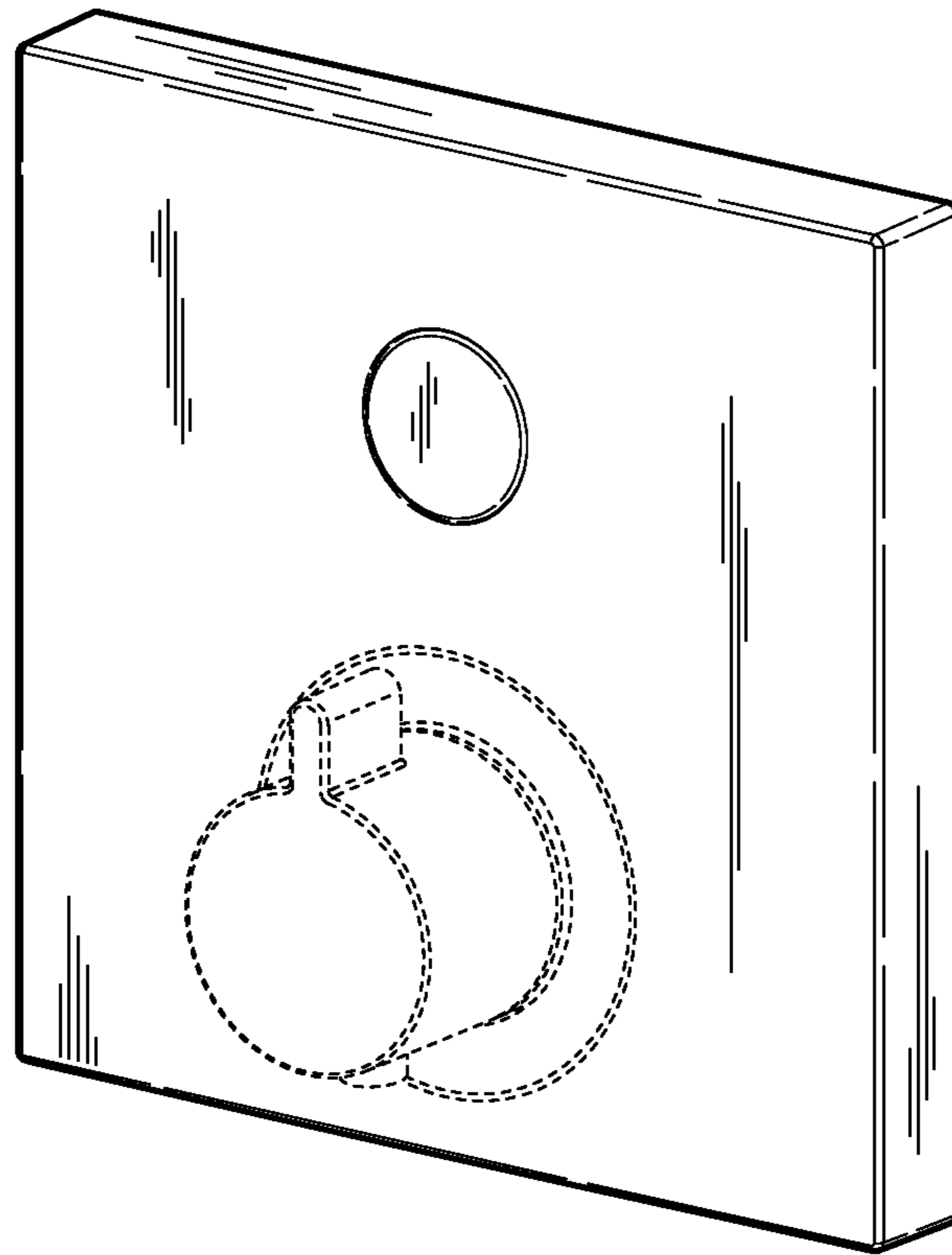


FIG. 2

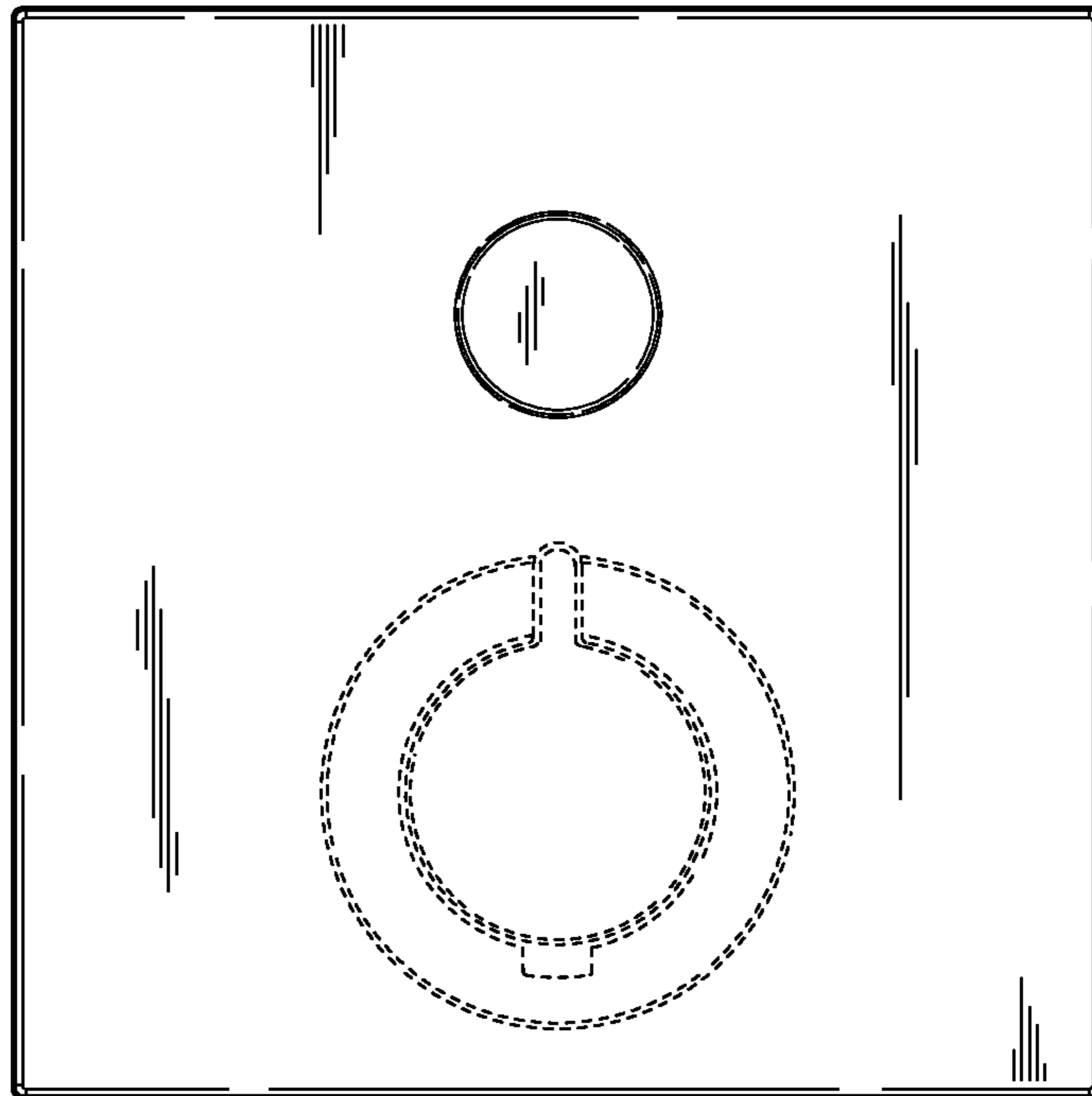


FIG. 3

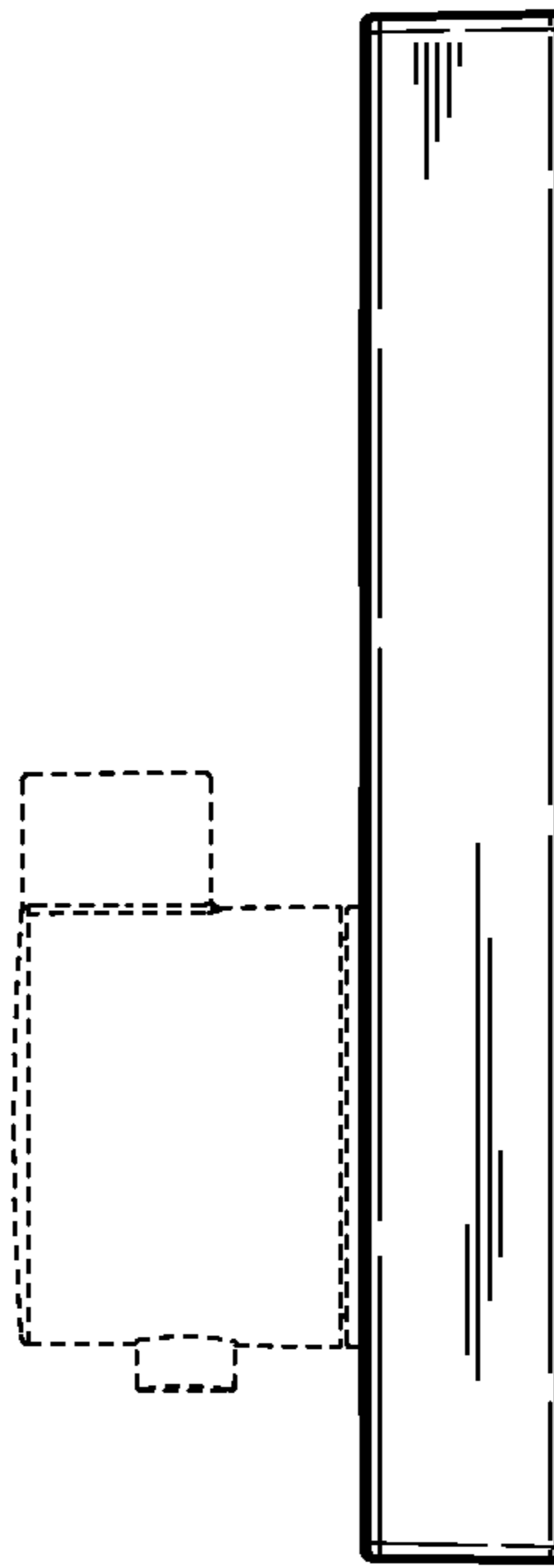


FIG. 4

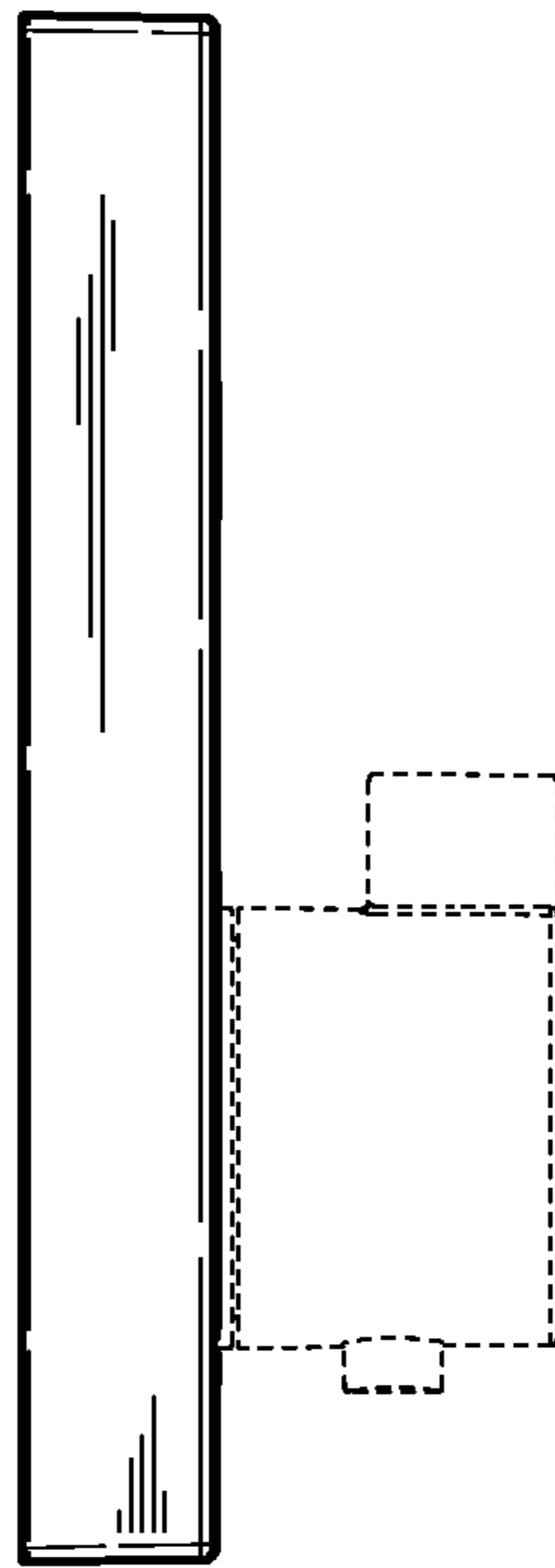


FIG. 5

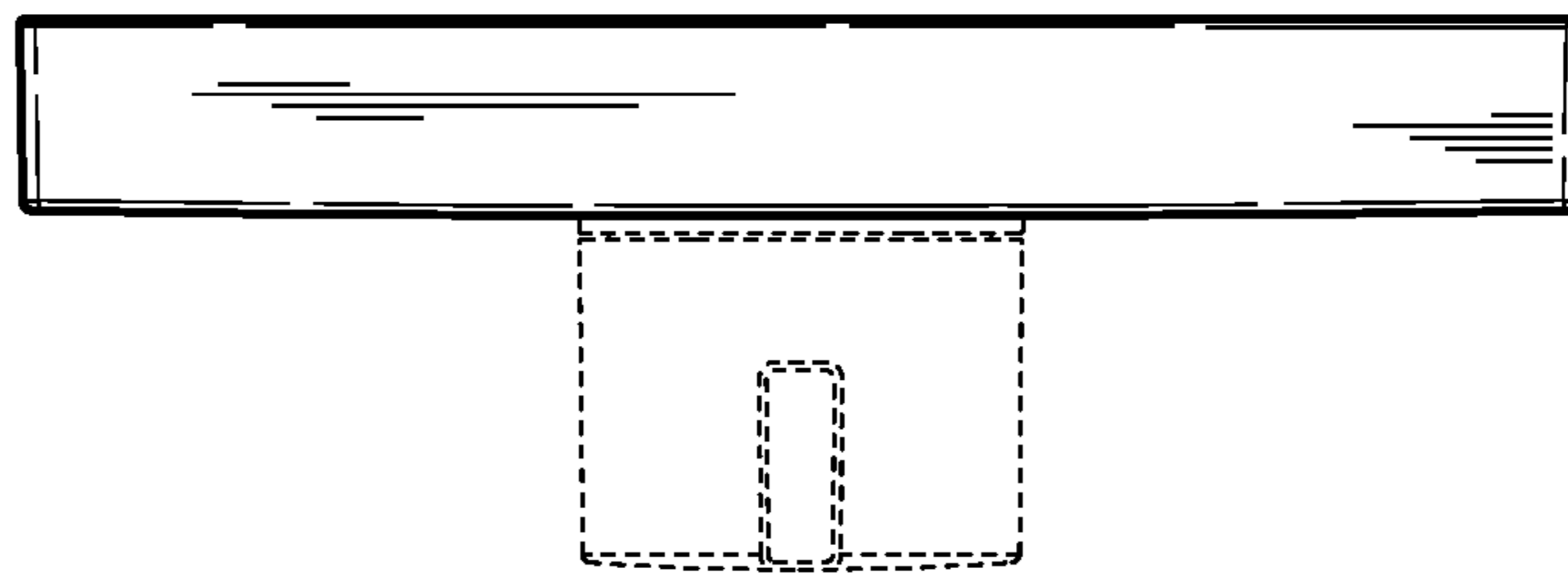


FIG. 6

