



US00D700289S

(12) **United States Design Patent**
Cooke

(10) **Patent No.:** **US D700,289 S**

(45) **Date of Patent:** **** Feb. 25, 2014**

(54) **PROPANE VALVE PROTECTIVE DEVICE**

(76) Inventor: **William Edmund Cooke**, Sarasota, FL
(US)

(**) Term: **14 Years**

(21) Appl. No.: **29/429,404**

(22) Filed: **Aug. 10, 2012**

(51) **LOC (10) Cl.** **23-01**

(52) **U.S. Cl.**
USPC **D23/249**

(58) **Field of Classification Search**
USPC D23/233-237, 244-249; 251/359, 331,
251/335.2; 137/556, 556.3, 556.6

See application file for complete search history.

(56) **References Cited**

U.S. PATENT DOCUMENTS

D286,807 S *	11/1986	Paige	D23/249
D375,148 S *	10/1996	Keller	D23/249
D381,067 S *	7/1997	Karmalm	D23/249
7,364,132 B2 *	4/2008	Browne et al.	251/331
D570,961 S *	6/2008	Grether	D23/249
D641,835 S *	7/2011	Grether	D23/249
D641,837 S *	7/2011	Grether	D23/249
D641,838 S *	7/2011	Grether	D23/249
D676,930 S *	2/2013	Koledin	D23/249

2009/0256100 A1 *	10/2009	Lee	251/331
2009/0256101 A1 *	10/2009	Hatton	251/359
2010/0140524 A1 *	6/2010	Hays et al.	251/331
2012/0074345 A1 *	3/2012	Hatton	251/359
2013/0032746 A1 *	2/2013	Huber	251/359

* cited by examiner

Primary Examiner — Cynthia Ramirez

(74) *Attorney, Agent, or Firm* — Shumaker, Loop & Kendrick, LLP

(57) **CLAIM**

The ornamental design for a propane valve protective device, as shown and described.

DESCRIPTION

FIG. 1 is an outer perspective view of a propane valve protective device showing my new design; FIG. 2 is an inner perspective view of FIG. 1; FIG. 3 is a front elevation view of FIG. 1; FIG. 4 is a rear elevation view of FIG. 1; FIG. 5 is a top plan view of FIG. 3; FIG. 6 is a bottom plan view of FIG. 3; FIG. 7 is a left side elevation view of FIG. 3; FIG. 8 is a right side elevation view of FIG. 3; and, FIG. 9 is a section view in the direction of arrows 9-9 in FIG. 4.

1 Claim, 5 Drawing Sheets

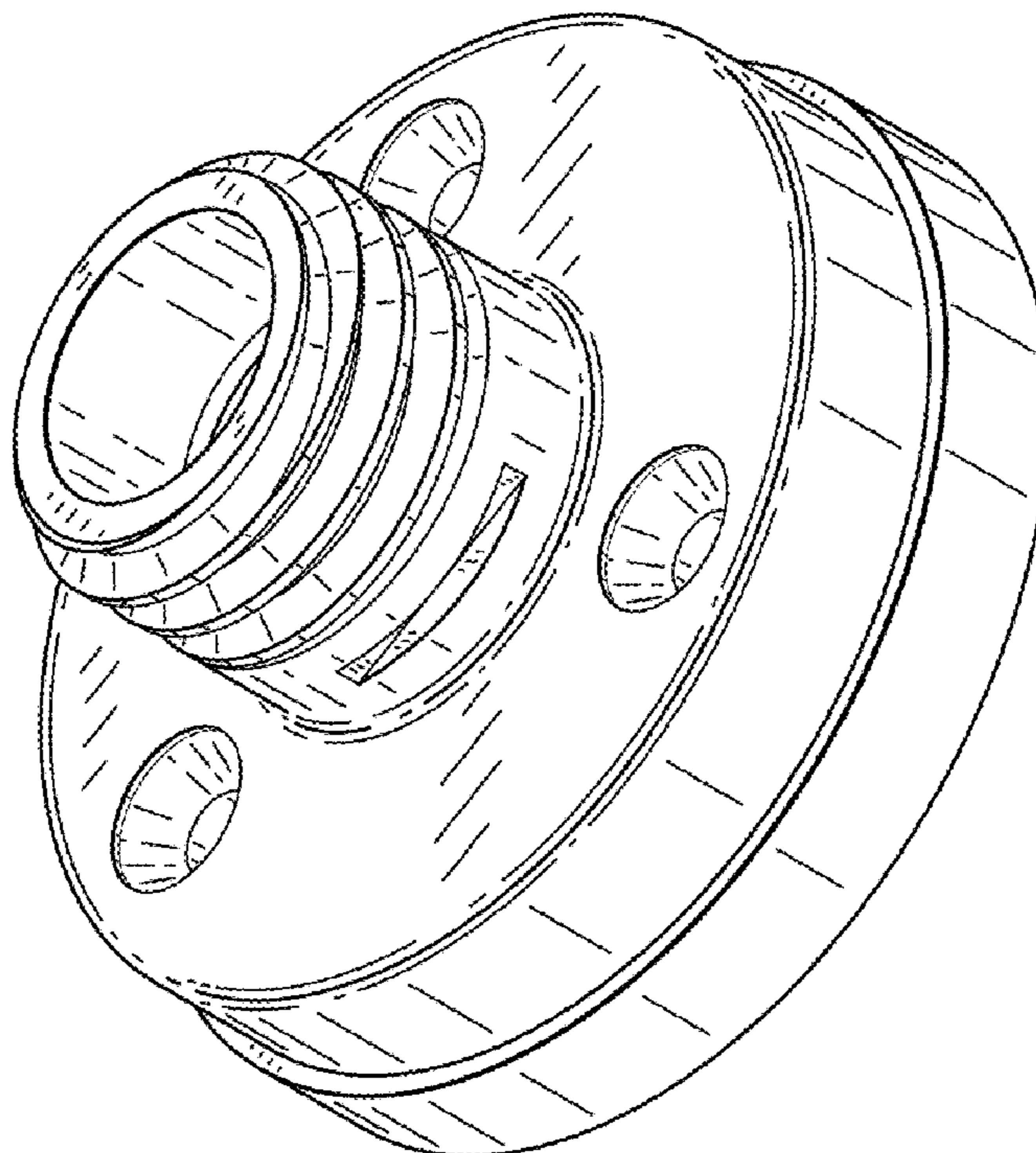


FIG. 1

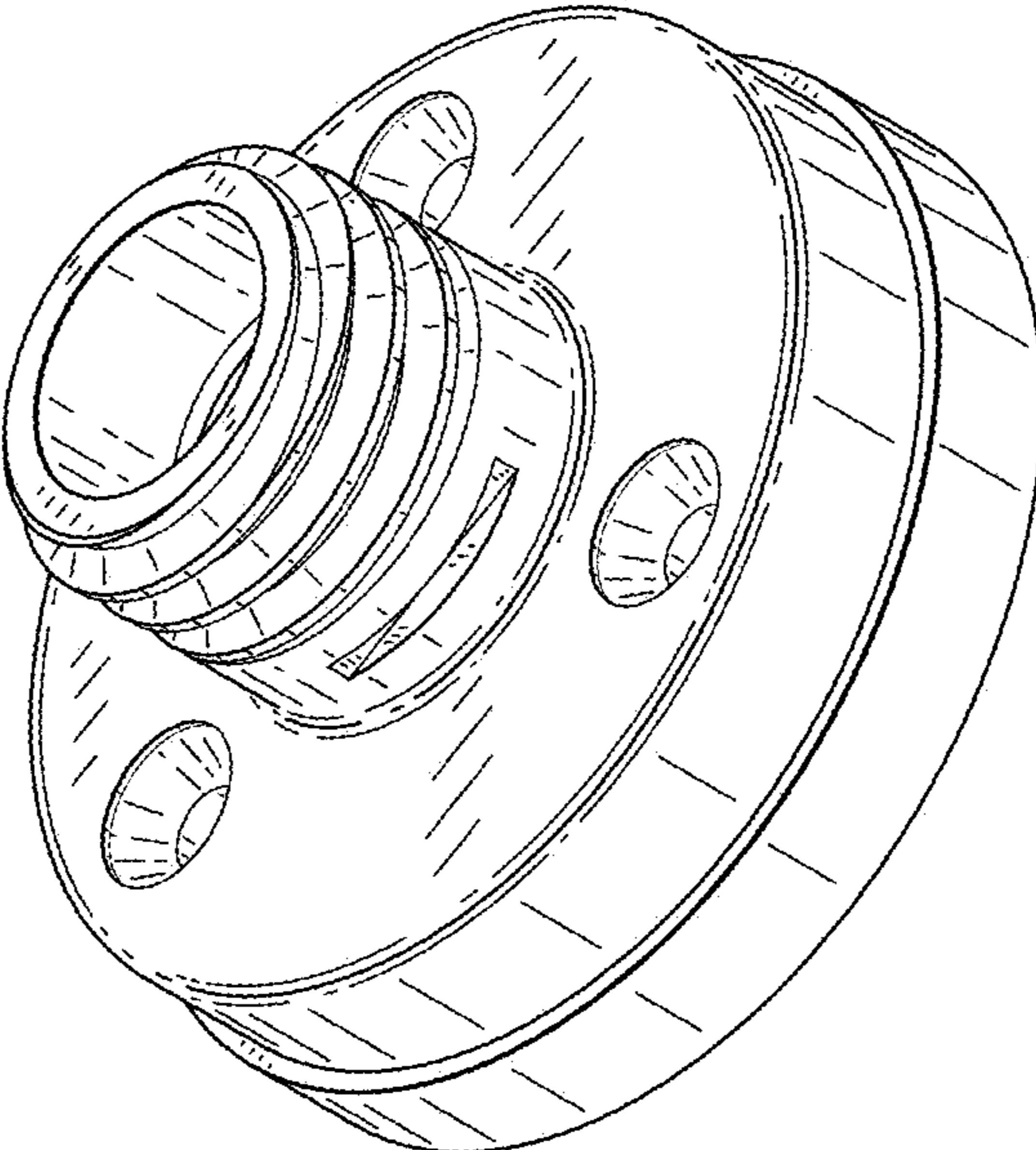
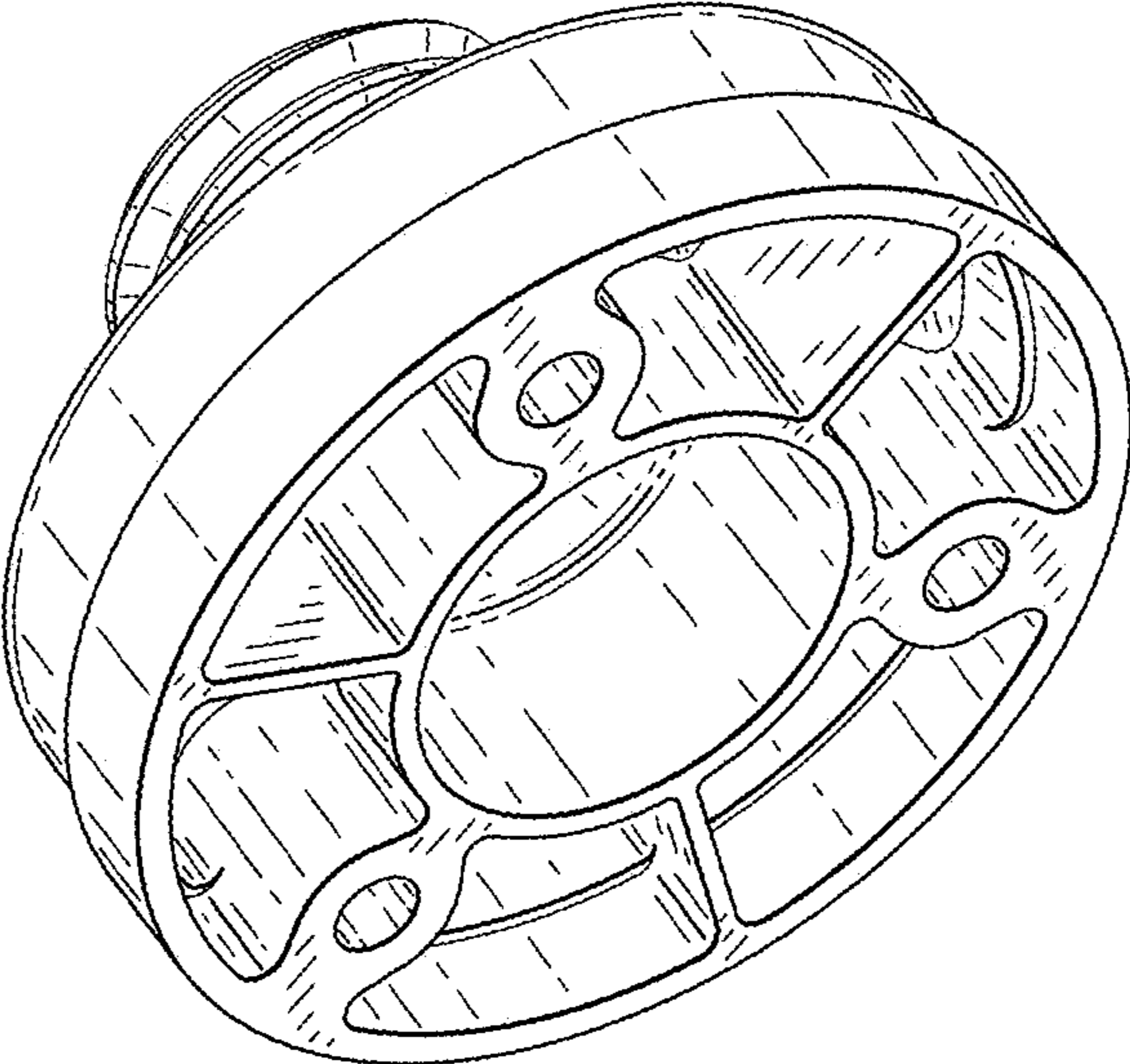


FIG. 2



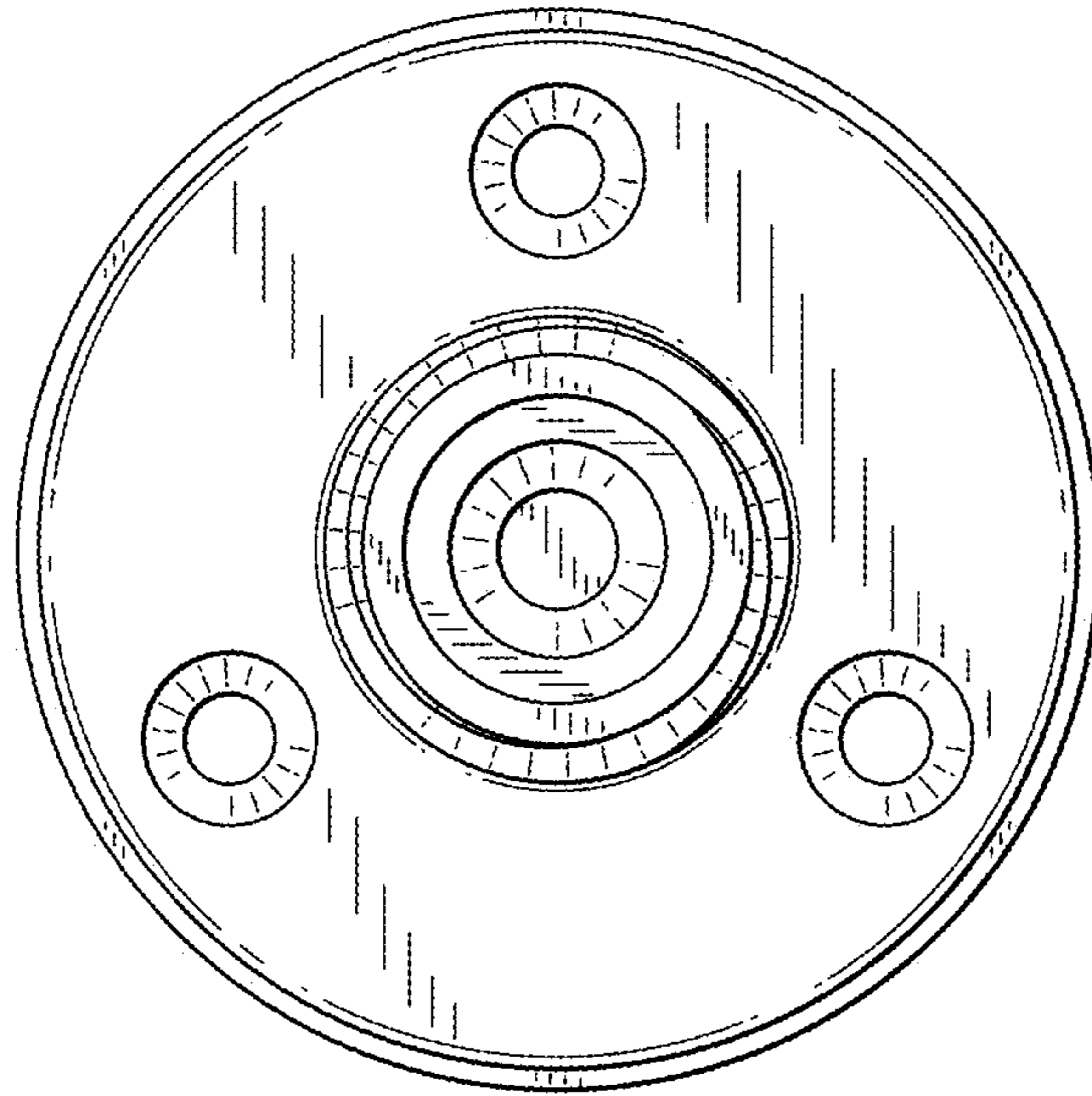


FIG. 3

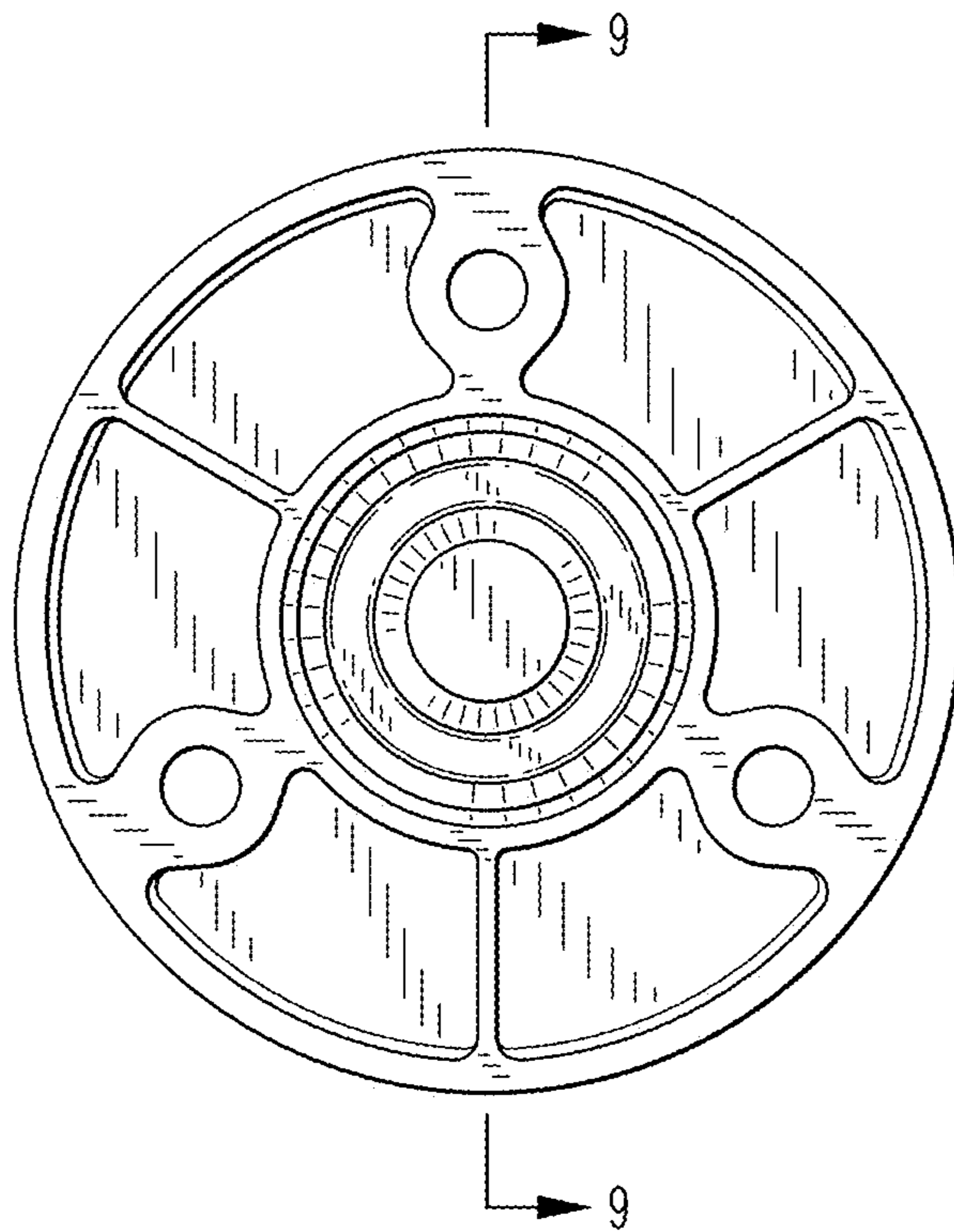


FIG. 4

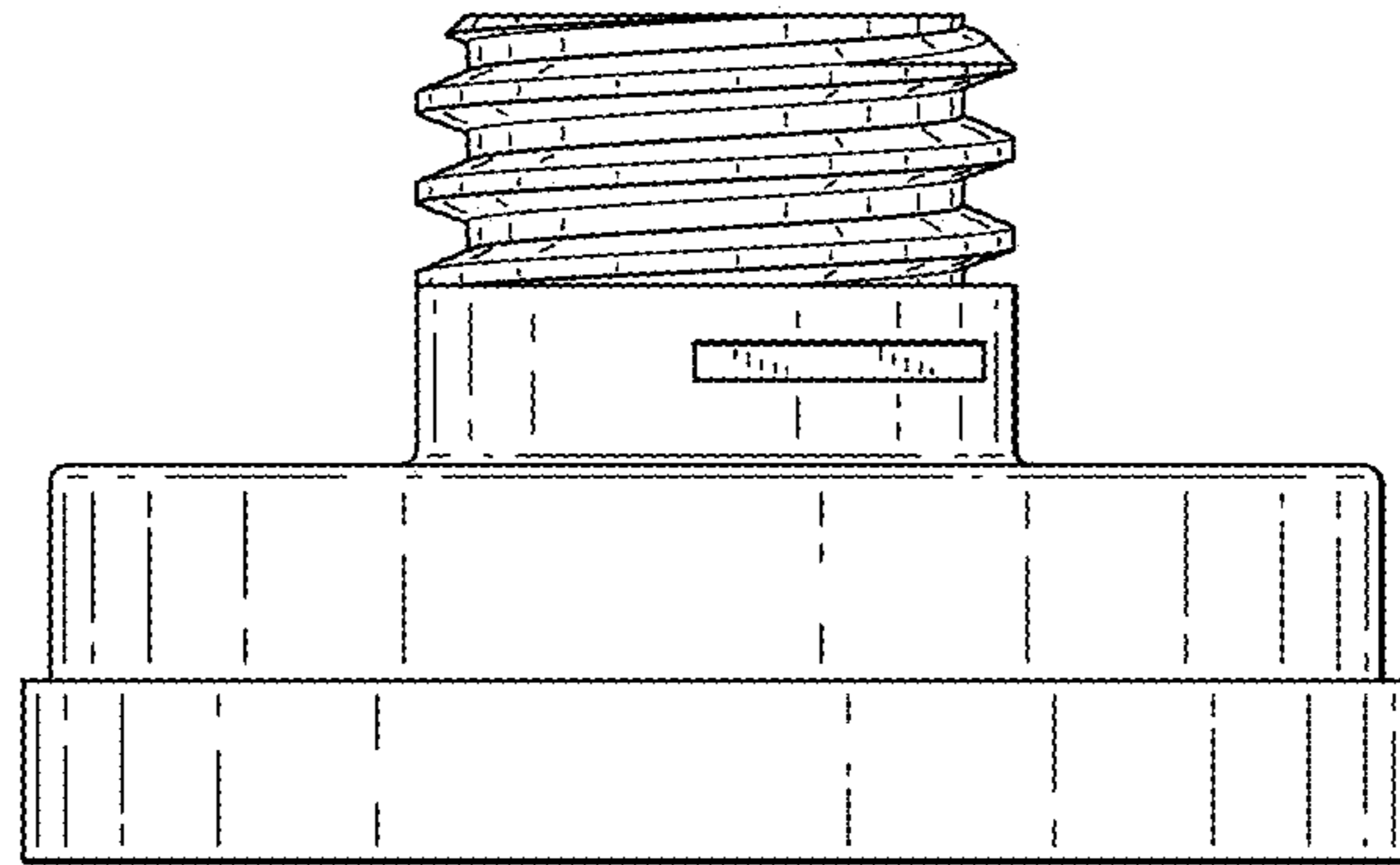


FIG. 5

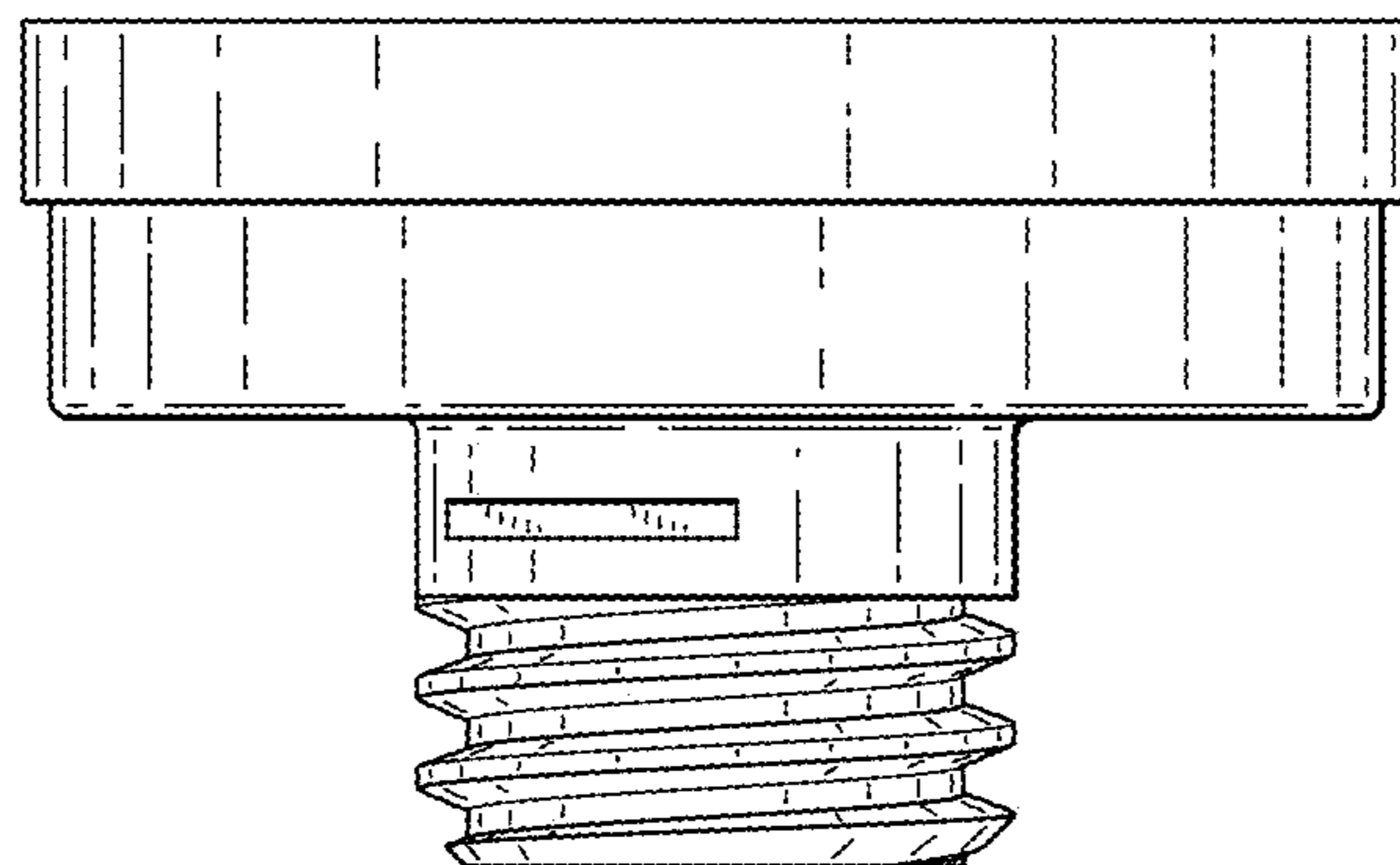


FIG. 6

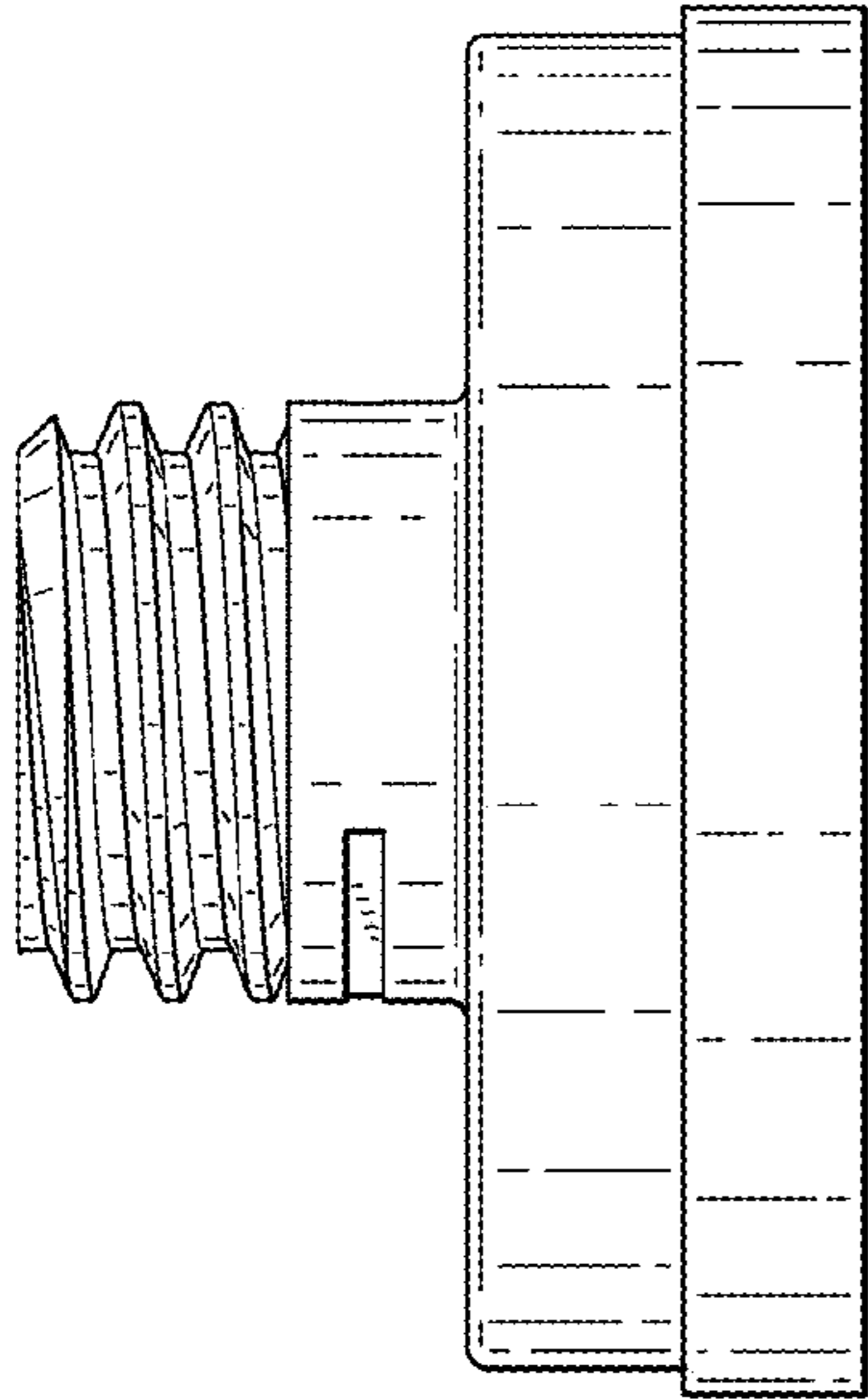


FIG. 7

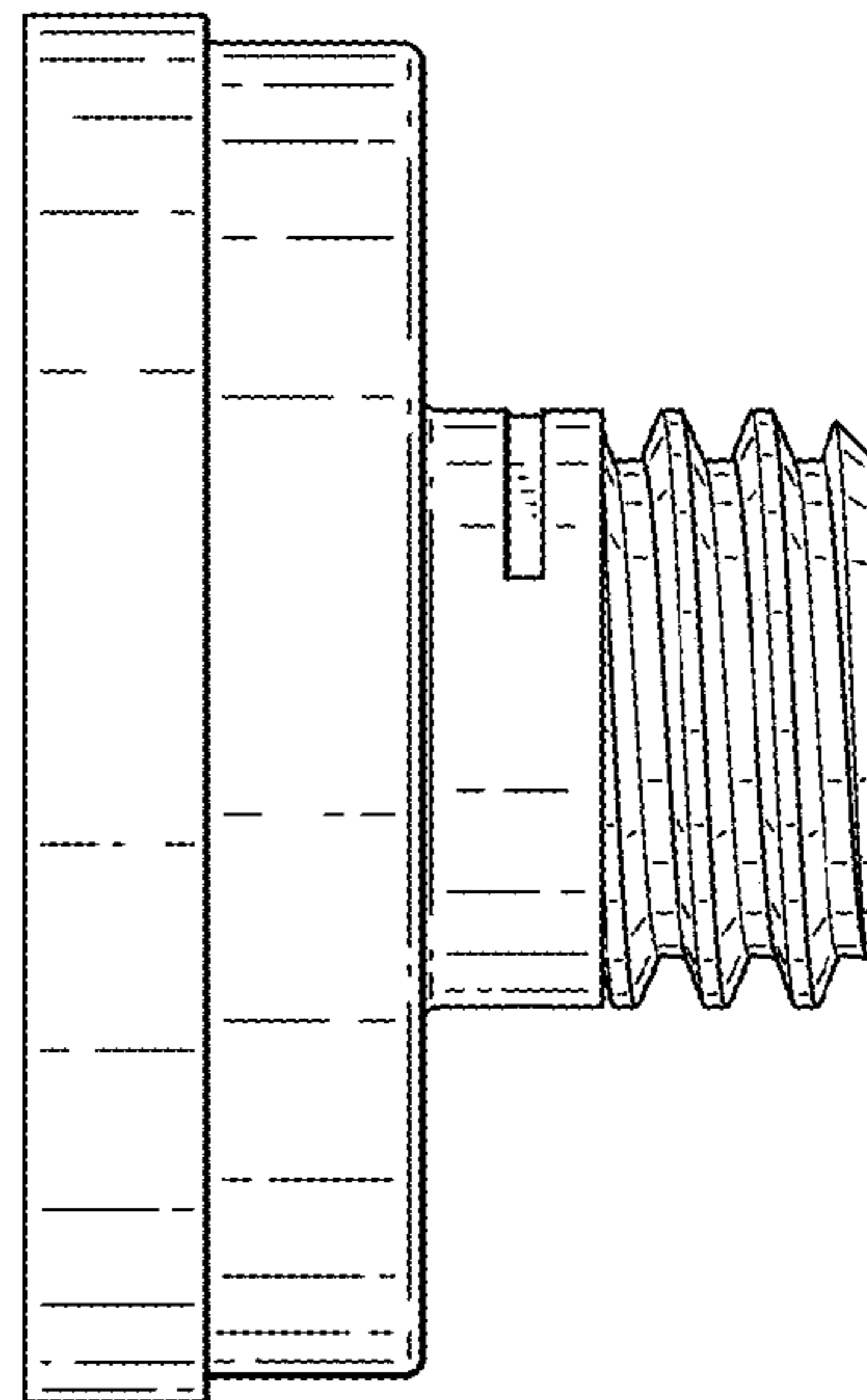


FIG. 8

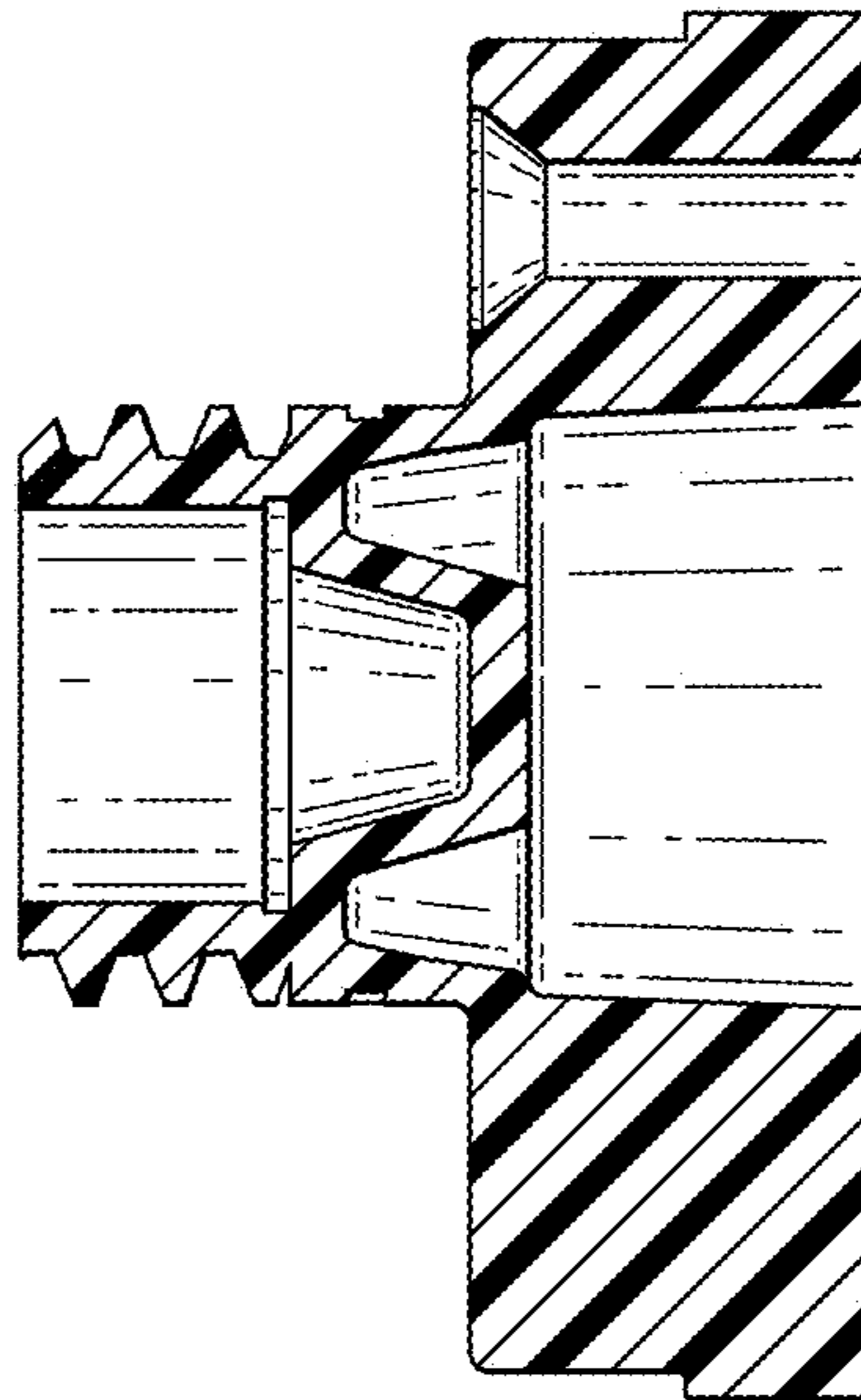


FIG. 9