



US00D700288S

(12) **United States Design Patent**
Santos

(10) **Patent No.:** **US D700,288 S**

(45) **Date of Patent:** **** Feb. 25, 2014**

(54) **VALVE COVER**

(76) Inventor: **Ruben Santos**, Spring Hill, FL (US)

(**) Term: **14 Years**

(21) Appl. No.: **29/419,337**

(22) Filed: **Apr. 27, 2012**

(51) **LOC (10) Cl.** **23-01**

(52) **U.S. Cl.**
USPC **D23/249**

(58) **Field of Classification Search**
USPC D23/233–237, 244–249, 259–269;
D15/5; D13/177, 156; 123/90.37,
123/90.38, 195 C, 198 E
See application file for complete search history.

(56) **References Cited**

U.S. PATENT DOCUMENTS

4,538,560	A *	9/1985	Alden	123/90.38
4,593,659	A *	6/1986	Wells et al.	123/90.38
D305,767	S *	1/1990	Tauschke	D15/5
6,240,903	B1 *	6/2001	Kurozumi	123/472
7,765,971	B1 *	8/2010	Overacker	123/90.38
D657,798	S *	4/2012	Platt et al.	D15/5
D670,360	S *	11/2012	Platt	D23/249
D673,654	S *	1/2013	Santourian	D23/249
D689,985	S *	9/2013	Miyazoe et al.	D23/233

* cited by examiner

Primary Examiner — Cynthia Ramirez

(57) **CLAIM**

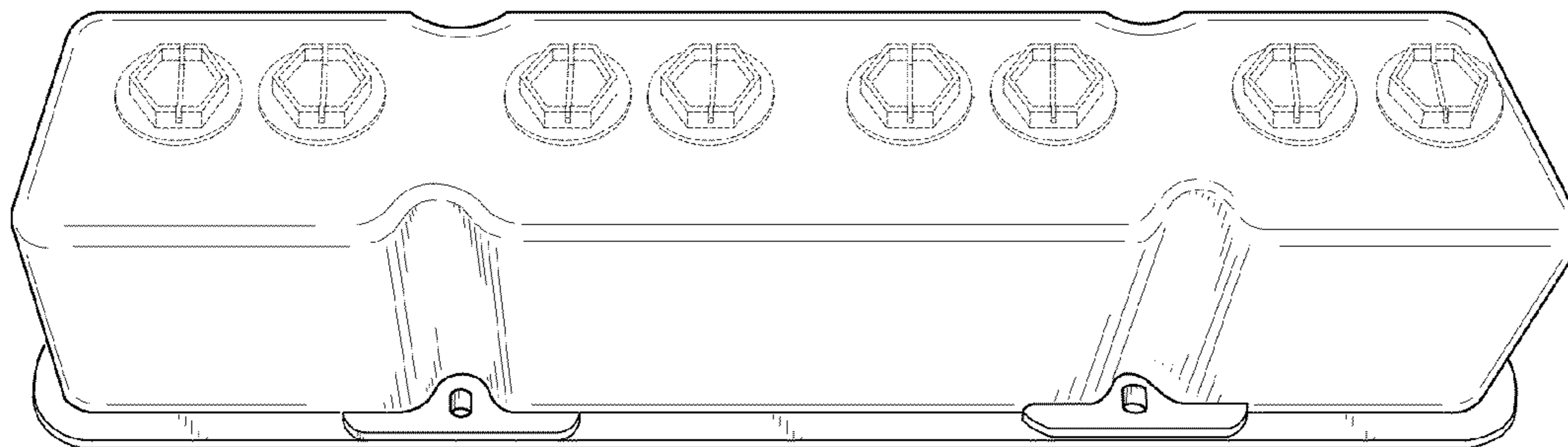
The ornamental design for a valve cover, as shown and described.

DESCRIPTION

FIG. 1 is a front perspective view of a valve cover, in accordance with an embodiment of the present design;
 FIG. 2 is a rear perspective view of the embodiment shown in FIG. 1;
 FIG. 3 is a top view of the embodiment shown in FIG. 1;
 FIG. 4 is a bottom view of the embodiment shown in FIG. 1;
 FIG. 5 is a right side elevational view of the embodiment shown in FIG. 1;
 FIG. 6 is a left side elevational view of the embodiment shown in FIG. 1;
 FIG. 7 is a rear elevational view of the embodiment shown in FIG. 1; and,
 FIG. 8 is a front elevational view of the embodiment shown in FIG. 1.

The broken lines showing bolts and washers are for illustrative purposes only and form no part of the claimed design. In one embodiment, the nature of this product is as a valve cover, which is primarily useful as a housing to protect valves.

1 Claim, 3 Drawing Sheets



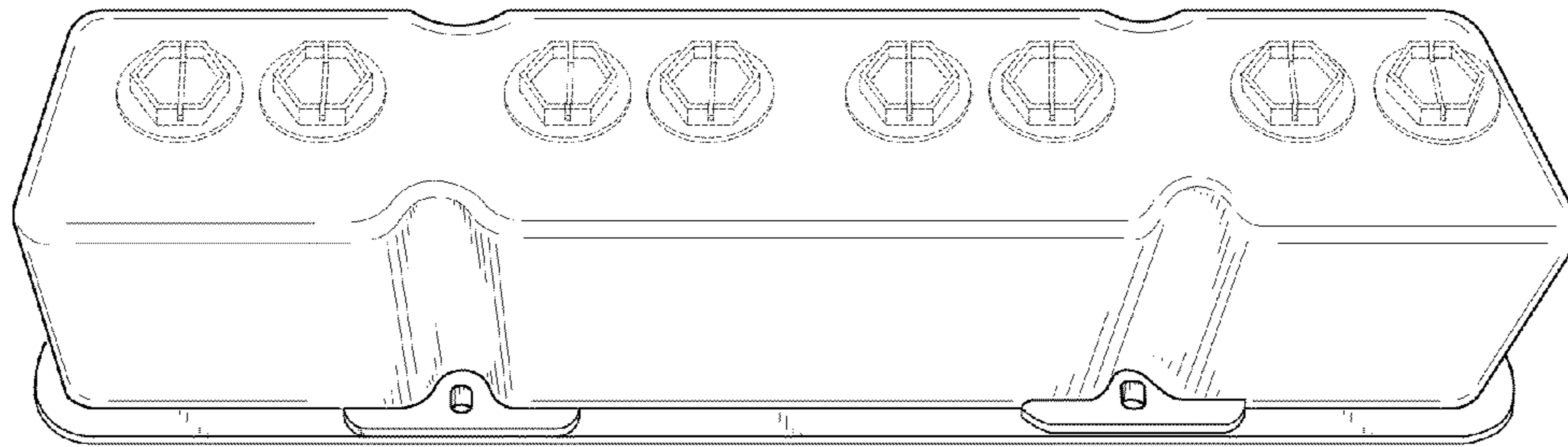


Figure 1

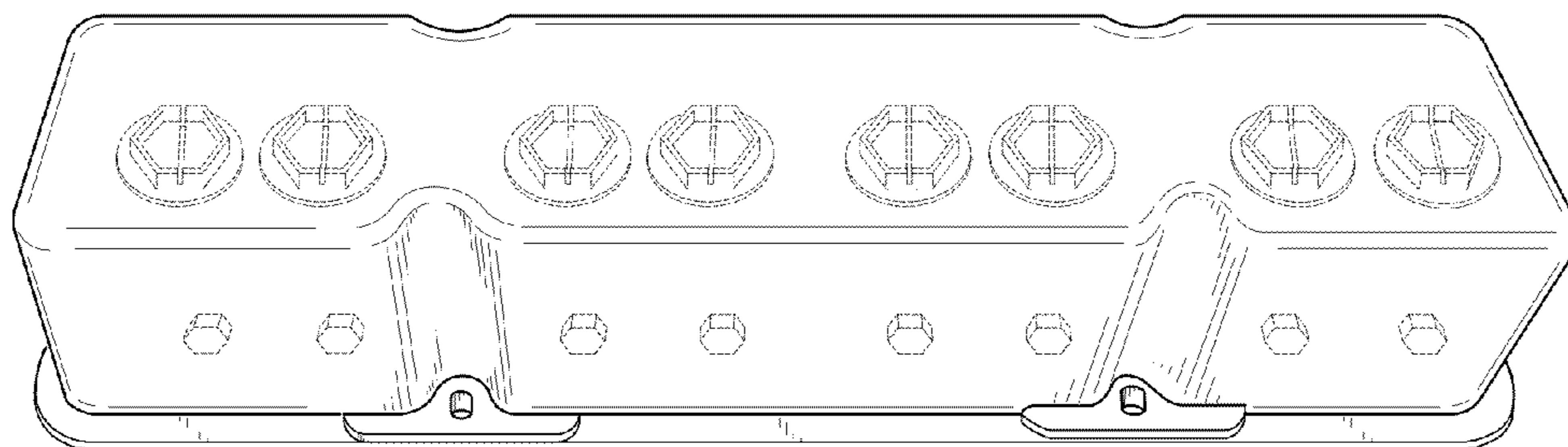


Figure 2

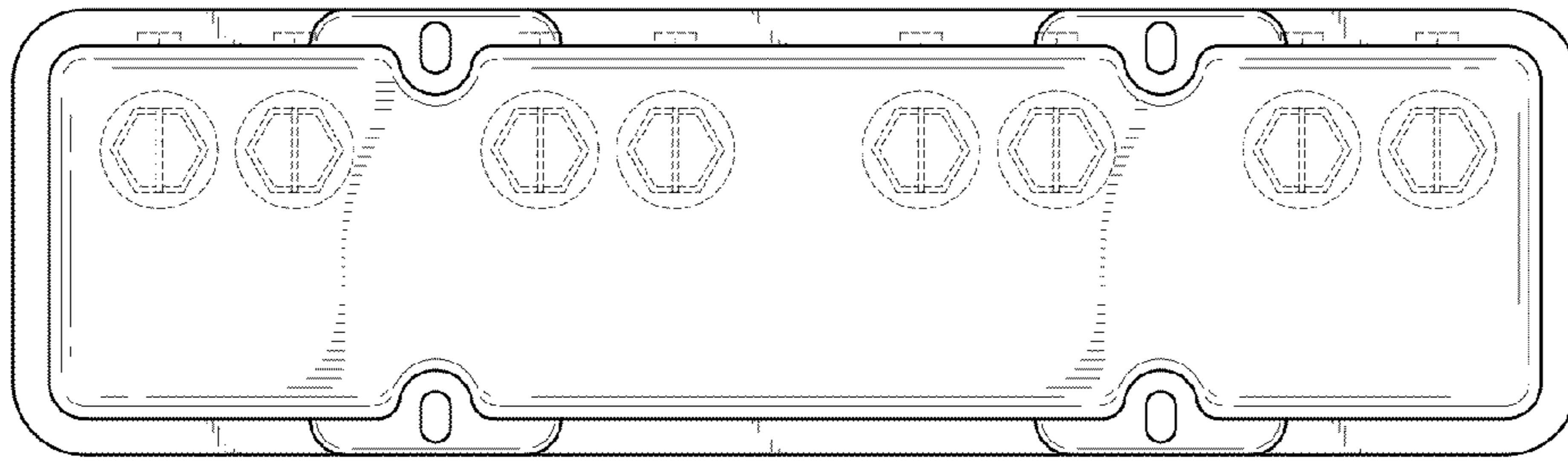


Figure 3

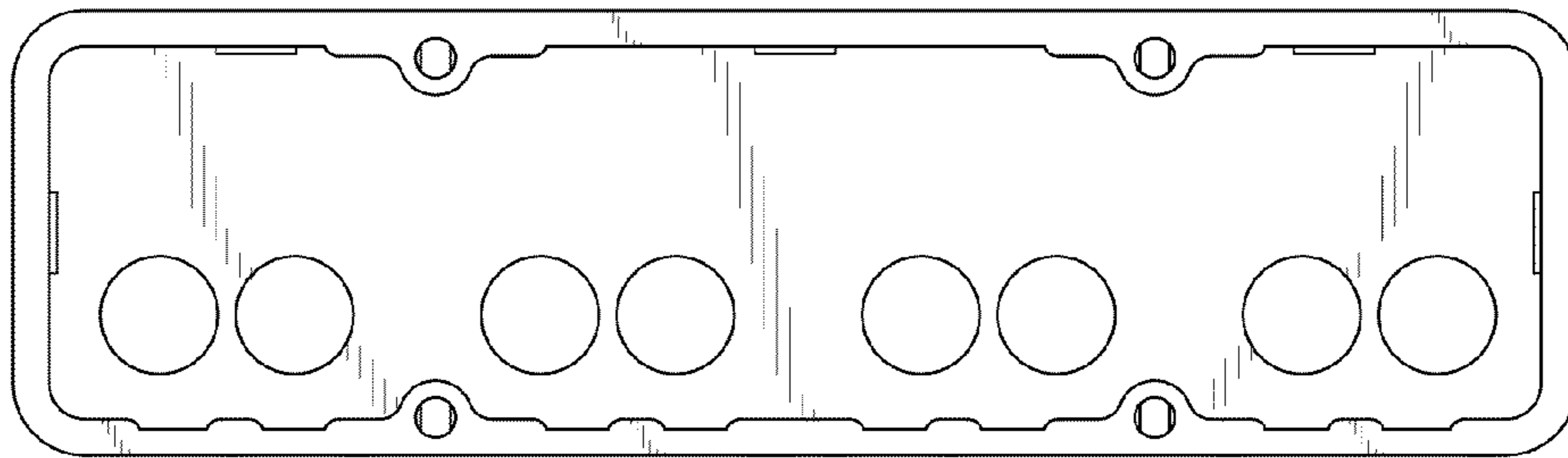


Figure 4

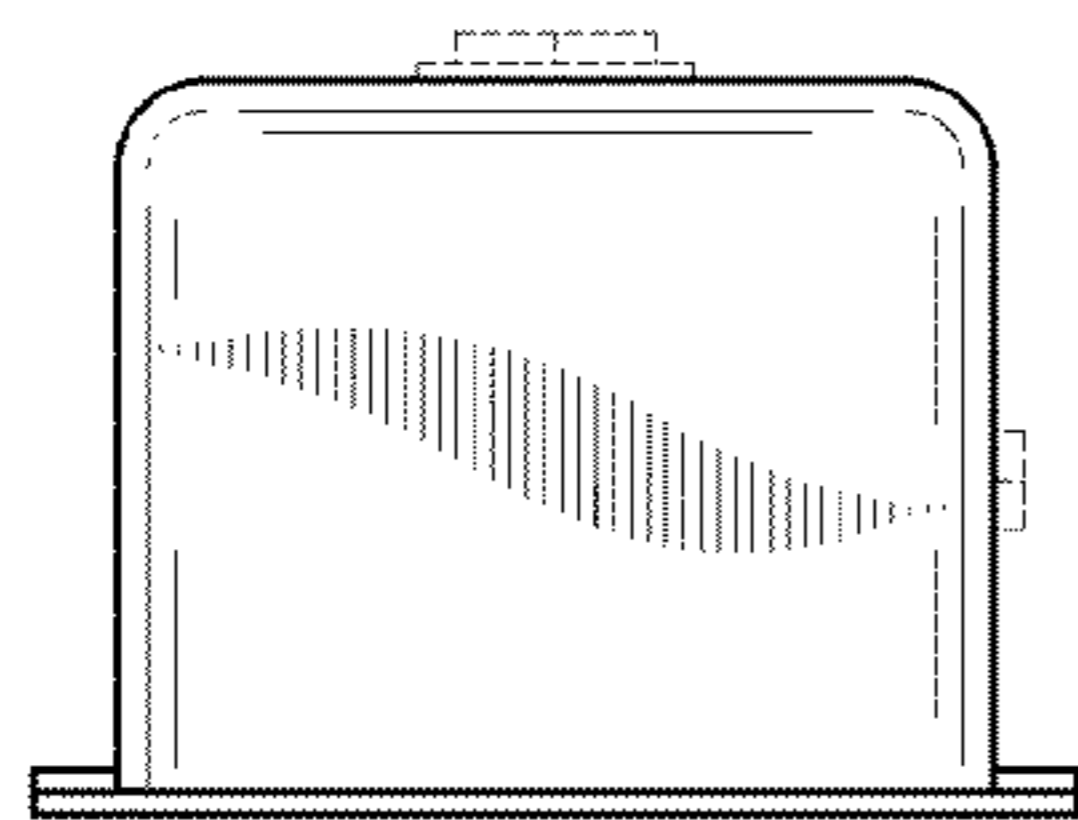


Figure 5

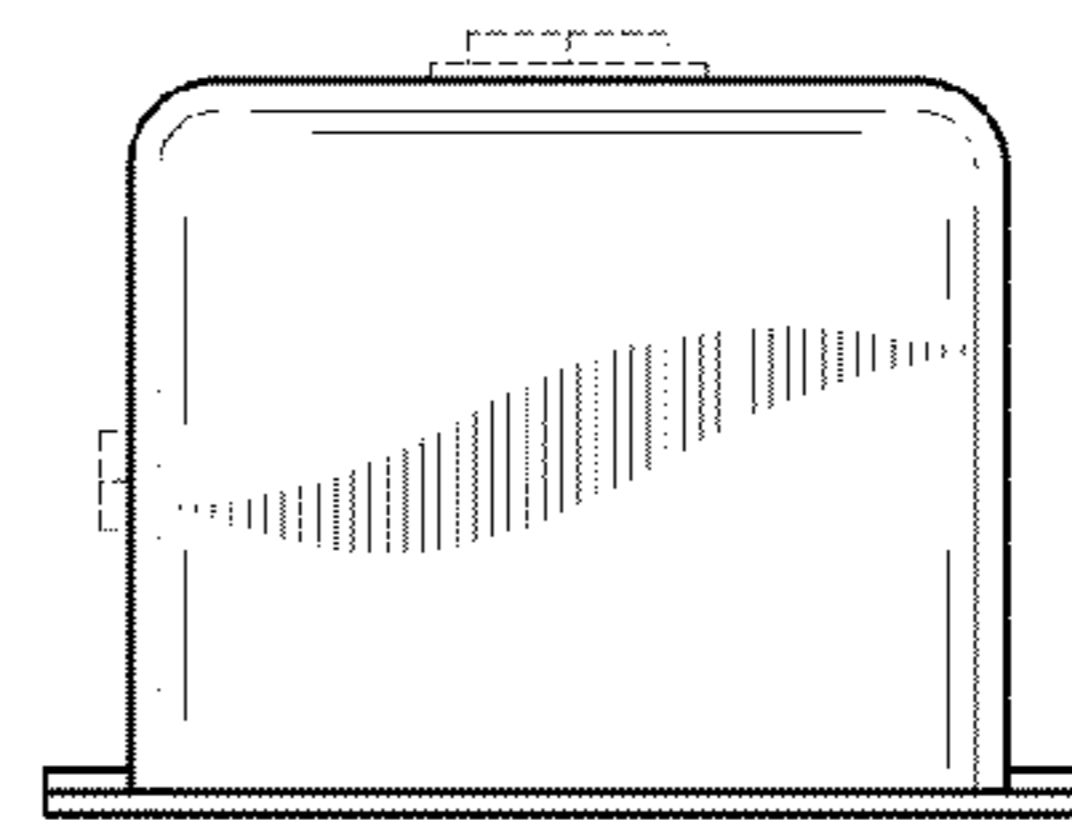


Figure 6

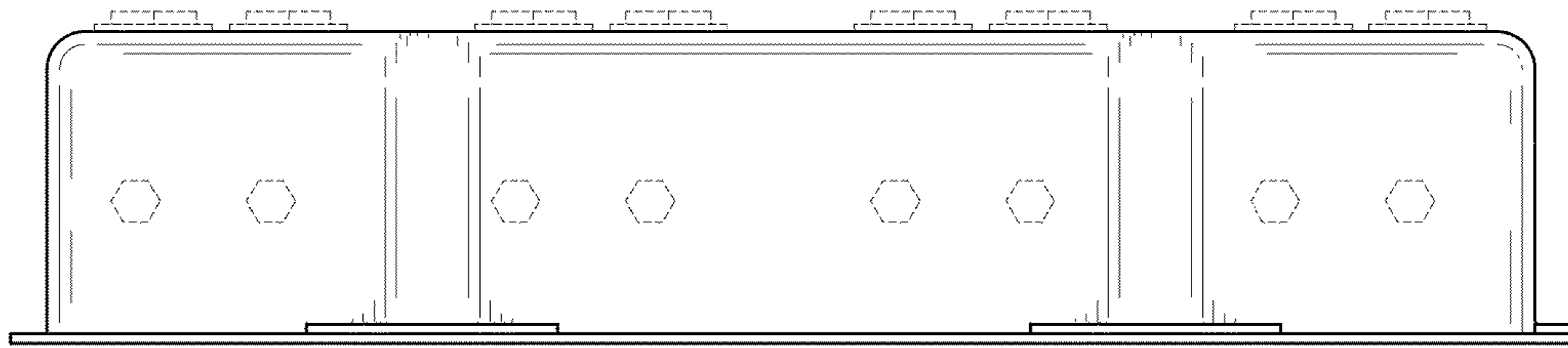


Figure 7

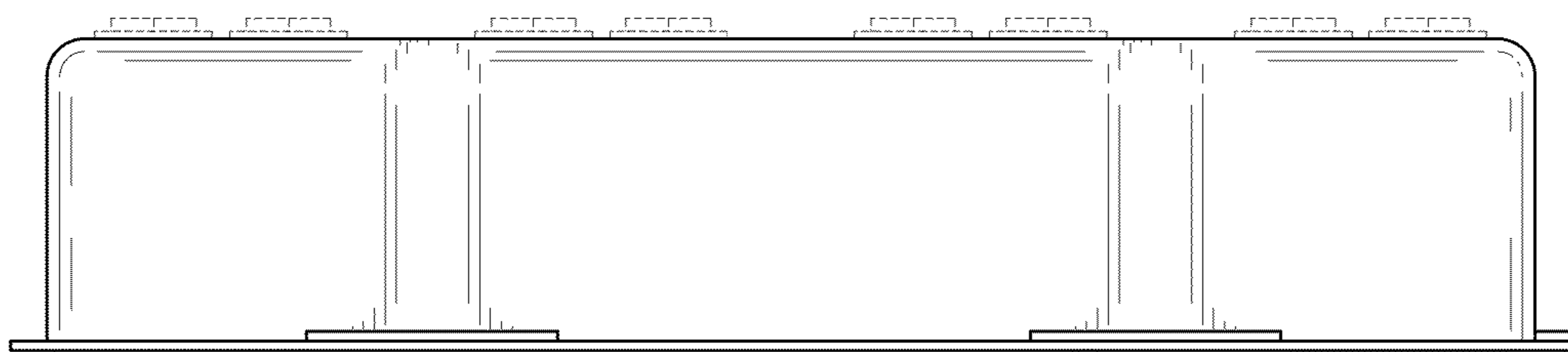


Figure 8