



US00D700287S

(12) **United States Design Patent**
Schoenherr et al.

(10) **Patent No.:** **US D700,287 S**
(45) **Date of Patent:** **** Feb. 25, 2014**

(54) **HANSHOWER HOLDER**

D596,714 S 7/2009 Starck
D598,070 S * 8/2009 Sneddon et al. D23/228
D622,829 S * 8/2010 Barnard D23/304

(71) Applicant: **Hansgrohe SE**, Schiltach (DE)

(72) Inventors: **Tom Schoenherr**, Stuttgart (DE); **Marco Flaig**, Stuttgart (DE)

FOREIGN PATENT DOCUMENTS

CN 200930008775.3 1/2010
EM 000887740-0001 2/2008
EM 000887740-0002 2/2008

(73) Assignee: **Hansgrohe SE**, Schiltach (DE)

(**) Term: **14 Years**

* cited by examiner

(21) Appl. No.: **29/441,698**

Primary Examiner — Robert Delehanty

(22) Filed: **Jan. 9, 2013**

(74) *Attorney, Agent, or Firm* — Lora J. Graentzdoerffer

(30) **Foreign Application Priority Data**

Jul. 11, 2012 (EM) 001334437-0003

(51) **LOC (10) Cl.** **23-01**

(52) **U.S. Cl.**
USPC **D23/239**

(58) **Field of Classification Search**
USPC D23/238–243, 249–250, 252, 254, 228;
4/675–678; 137/359, 801;
D8/350–353; 16/402
See application file for complete search history.

(57) **CLAIM**

The ornamental design for a handshower holder, as shown and described.

DESCRIPTION

FIG. 1 is a perspective view of a shower control showing our design;
FIG. 2 is a front elevational view thereof;
FIG. 3 is a left side elevational view thereof;
FIG. 4 is a right side elevational view thereof;
FIG. 5 is a top plan view thereof; and,
FIG. 6 is a bottom plan view thereof.
The broken-line disclosure in the views represents portions of the article in which the claimed design is embodied, but which form no part of the claimed design.

(56) **References Cited**

U.S. PATENT DOCUMENTS

D233,234 S * 10/1974 Arbon D23/228
D533,262 S * 12/2006 Starck D23/304
D540,922 S * 4/2007 Starck D23/304

1 Claim, 6 Drawing Sheets

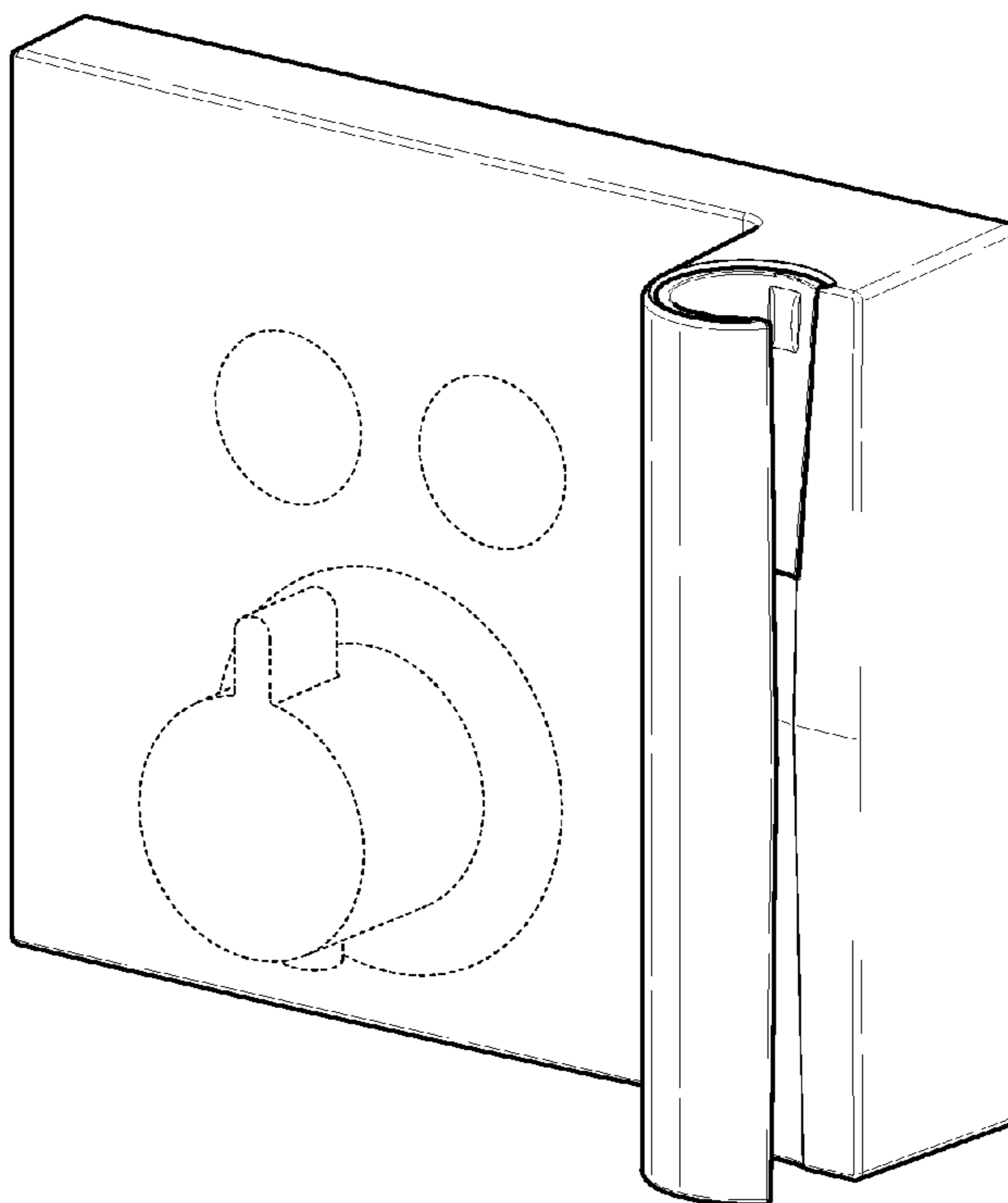


FIG. 1

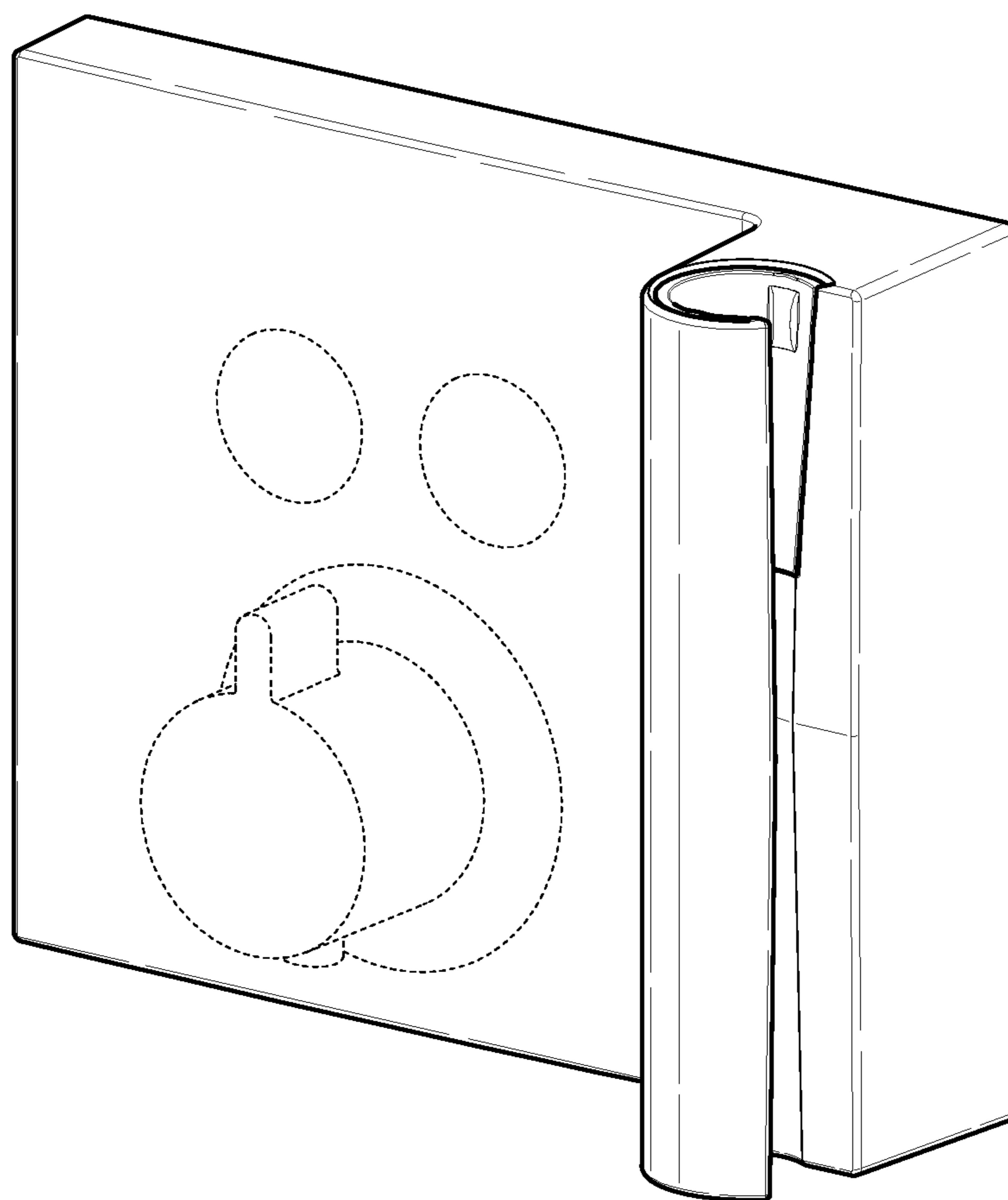


FIG. 2

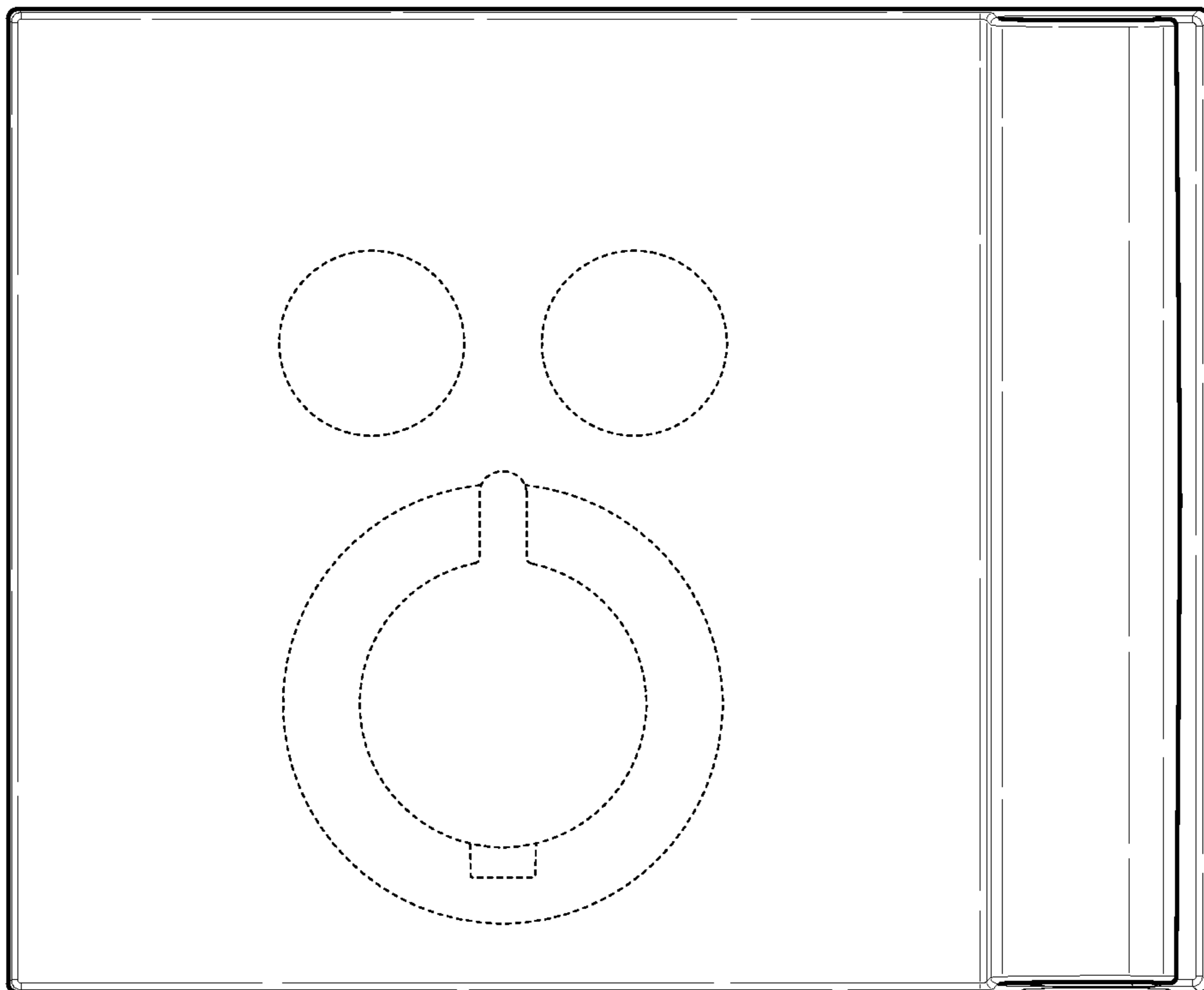


FIG. 3

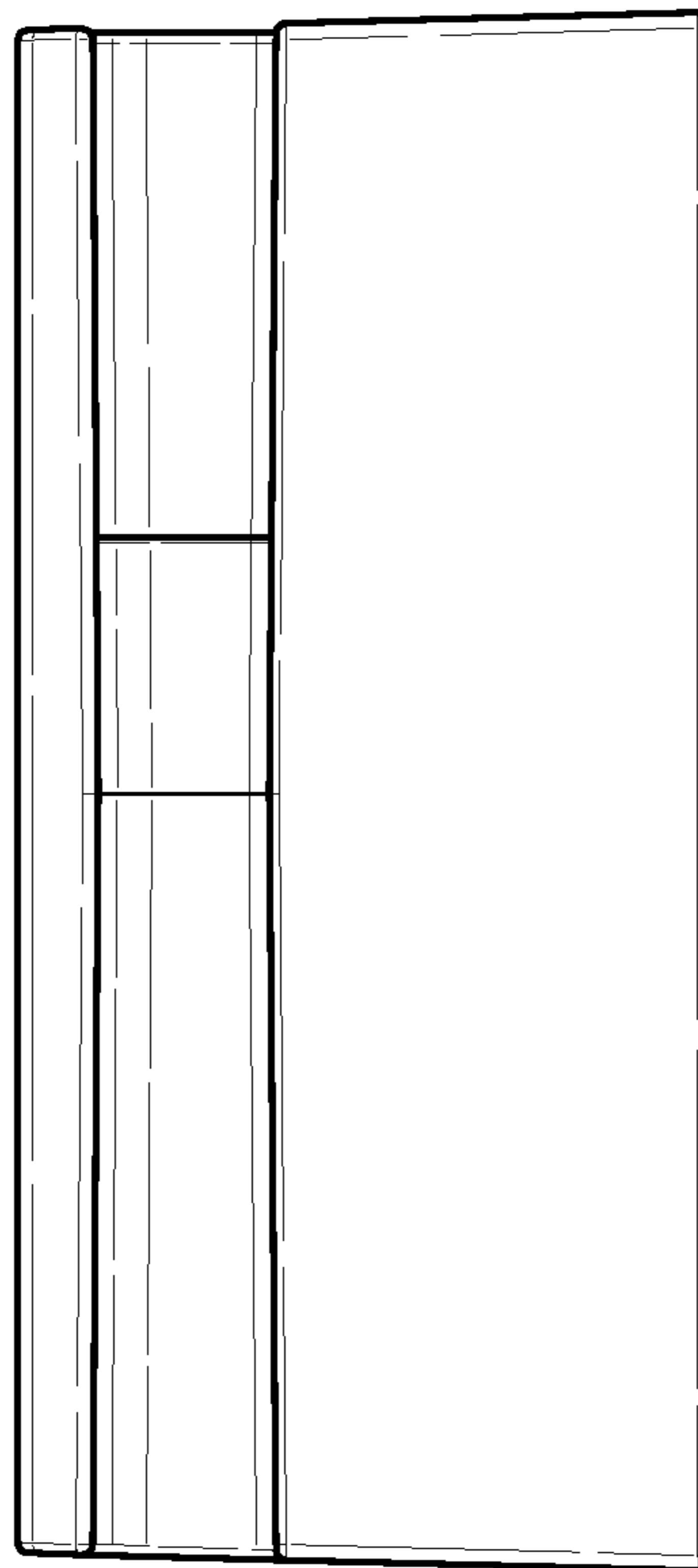


FIG. 4

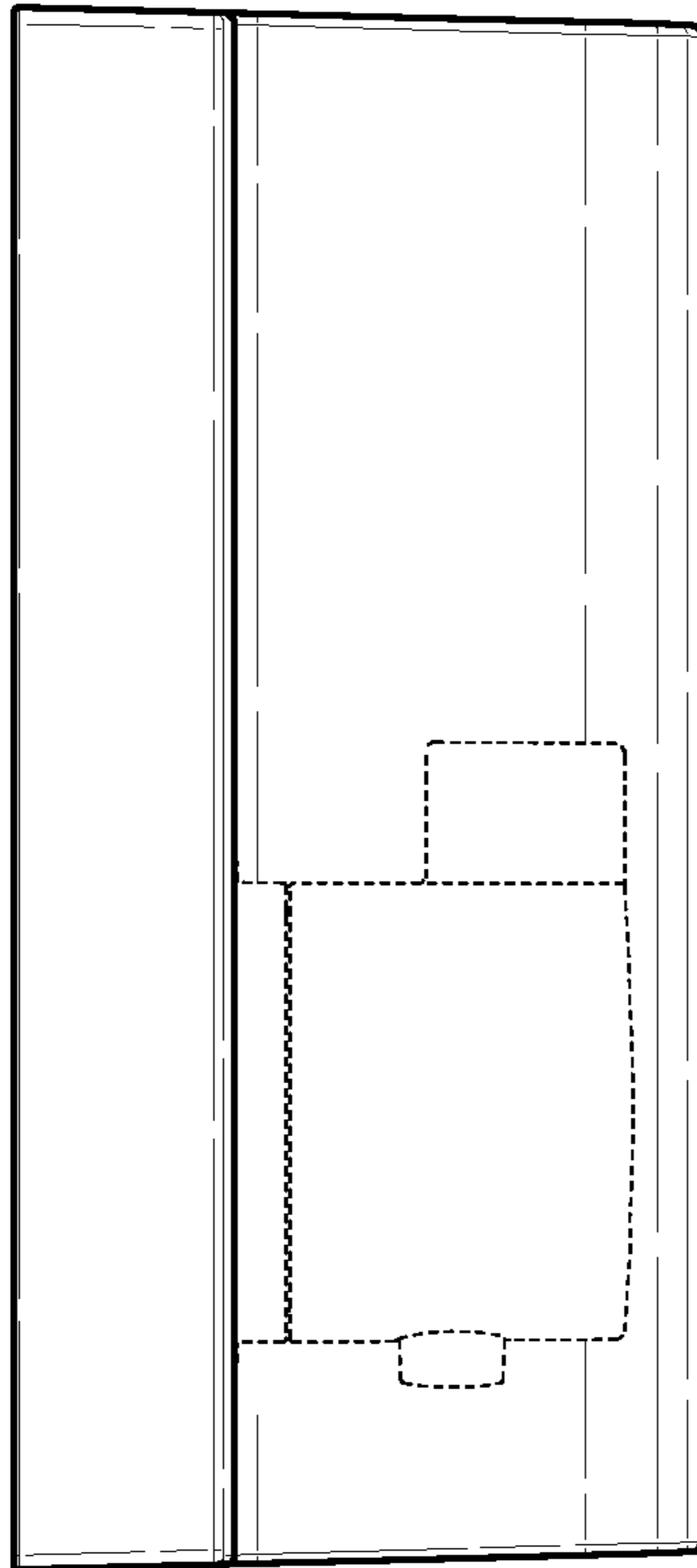


FIG. 5

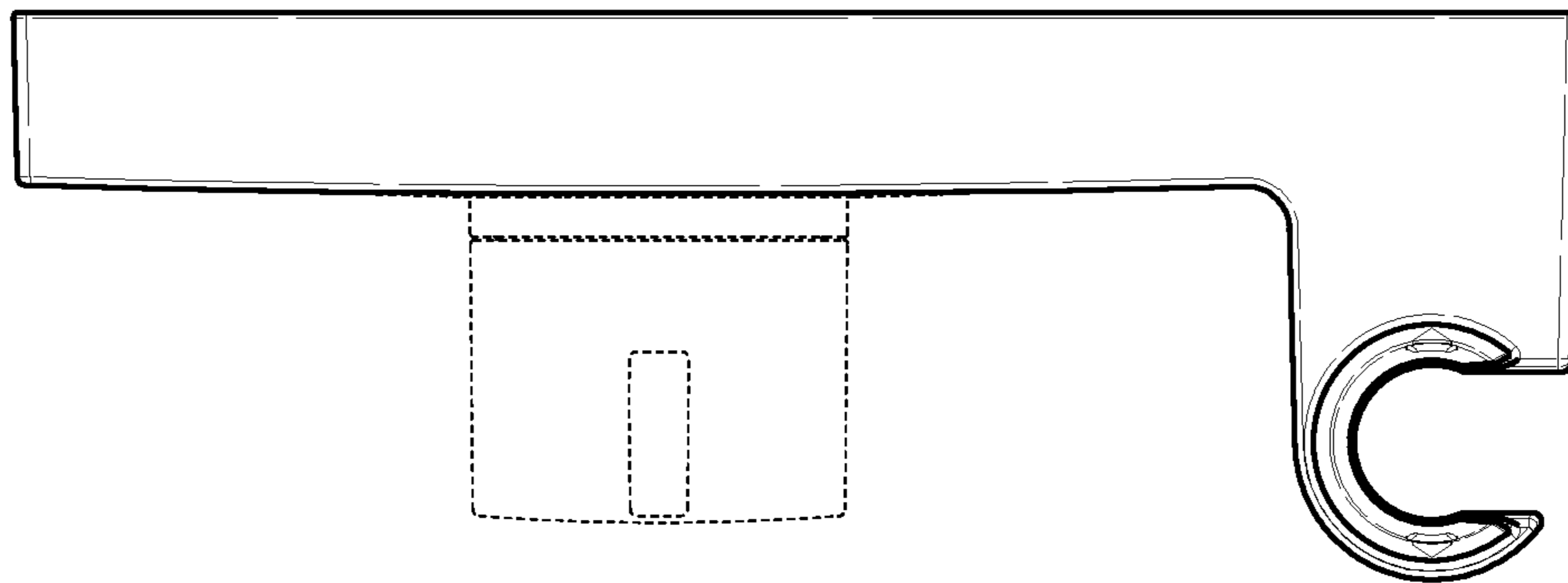


FIG. 6

