



US00D700286S

(12) **United States Design Patent**
Okitsu et al.

(10) **Patent No.:** **US D700,286 S**
(45) **Date of Patent:** **** Feb. 25, 2014**

(54) **RESIDUAL PRESSURE EXHAUST VALVE**

(75) Inventors: **Masayuki Okitsu**, Tsukubamirai (JP);
Kazuhiro Matsushita, Tsukubamirai (JP)

(73) Assignee: **SMC Corporation**, Chiyoda-ku, Tokyo (JP)

(**) Term: **14 Years**

(21) Appl. No.: **29/412,892**

(22) Filed: **Feb. 9, 2012**

(30) **Foreign Application Priority Data**

Sep. 8, 2011 (JP) 2011-020442

(51) **LOC (10) Cl.** **23-01**

(52) **U.S. Cl.**
USPC **D23/235**

(58) **Field of Classification Search**
USPC D23/233–237, 244–249; 251/205, 208,
251/215, 309, 310, 312, 62, 63, 63.5,
251/129.01, 129.18, 904; 137/398, 545,
137/547, 549

See application file for complete search history.

(56) **References Cited**

U.S. PATENT DOCUMENTS

D177,198 S * 3/1956 Terry D23/248
3,115,154 A * 12/1963 Dillon 137/493.8
3,145,731 A * 8/1964 Kaatz et al. 137/510
3,748,837 A * 7/1973 Billeter 55/418
D234,637 S * 3/1975 Flynn D24/110.6
D449,872 S * 10/2001 Lohde et al. D23/233
D463,011 S * 9/2002 Hirose et al. D23/245
D504,715 S * 5/2005 Hagihara D23/235
D623,273 S * 9/2010 Cavagna D23/233
D632,362 S * 2/2011 Ito et al. D23/233

D634,813 S * 3/2011 Hernandez, IV D23/233
D637,270 S * 5/2011 Nicolia et al. D23/235
D639,392 S * 6/2011 Yamada D23/233
D652,116 S * 1/2012 Fukushima D23/235
D658,205 S * 4/2012 Taylor D15/5
D661,785 S * 6/2012 Johnson D23/262
D667,082 S * 9/2012 Fukushima D23/235
D667,930 S * 9/2012 Yamada D23/235
D677,363 S * 3/2013 Norlander et al. D23/233
D679,780 S * 4/2013 Oike et al. D23/247
D690,390 S * 9/2013 Garm et al. D23/233
D690,800 S * 10/2013 Ren D23/233
2011/0062358 A1 * 3/2011 Kawamura et al. 251/129.01

* cited by examiner

Primary Examiner — Cynthia Ramirez

(74) *Attorney, Agent, or Firm* — Yokoi & Co., U.S.A., Inc.;
Toshituki Yokoi

(57) **CLAIM**

The ornamental design for a residual pressure exhaust valve,
as shown and described.

DESCRIPTION

FIG. 1 shows a front view of a residual pressure exhaust valve
showing our new design;

FIG. 2 shows a rear view thereof;

FIG. 3 shows a right side view thereof;

FIG. 4 shows a left side view thereof;

FIG. 5 shows a top view thereof;

FIG. 6 shows a bottom view thereof;

FIG. 7 shows a top, front and left side perspective view
thereof; and,

FIG. 8 shows a bottom, rear and left side perspective view
thereof.

The portions of the design shown in broken lines in FIG. 6 is
for the purpose of illustrating the environment only and form
no part of the claimed design.

1 Claim, 7 Drawing Sheets

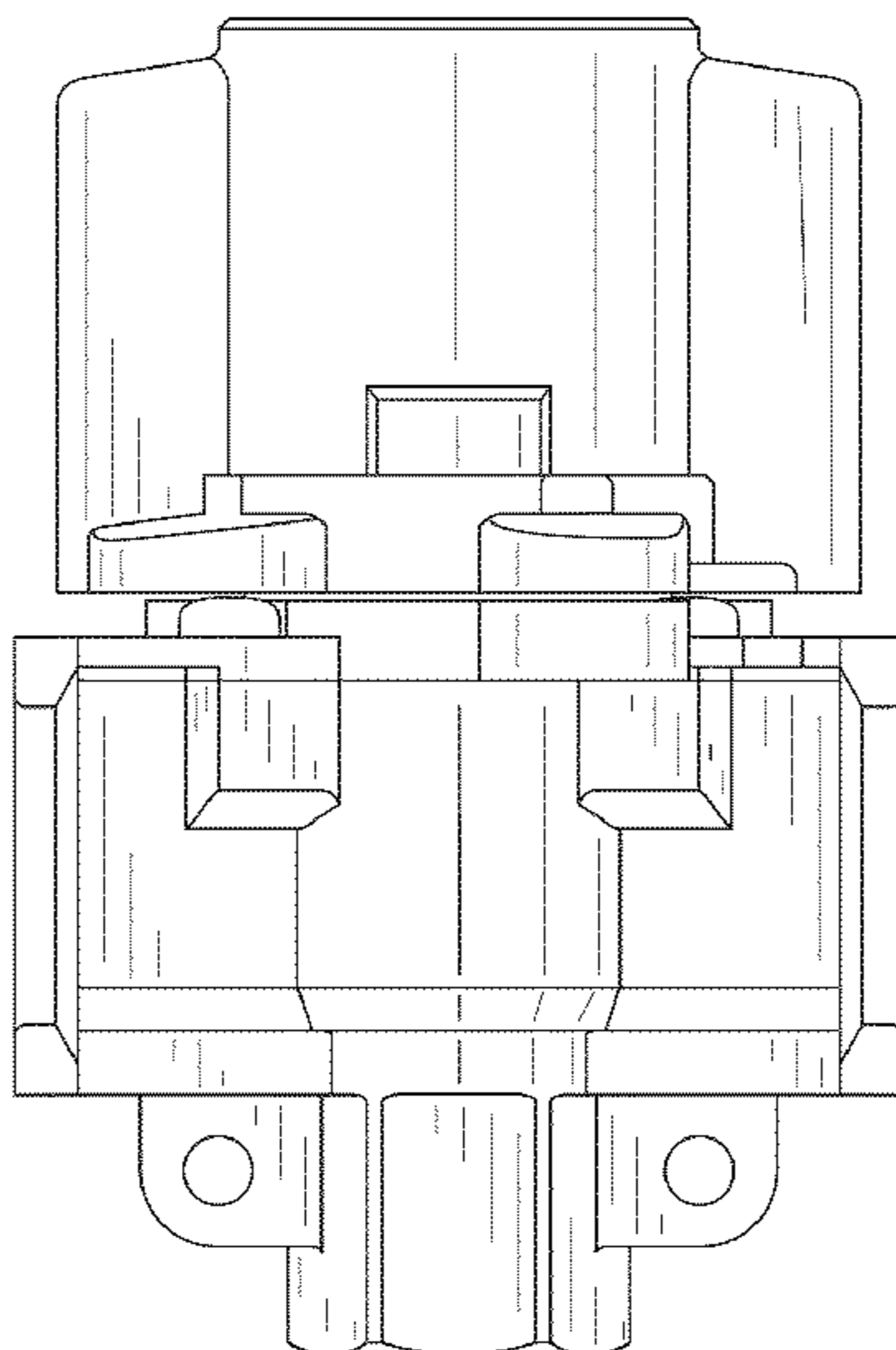


FIG. 1

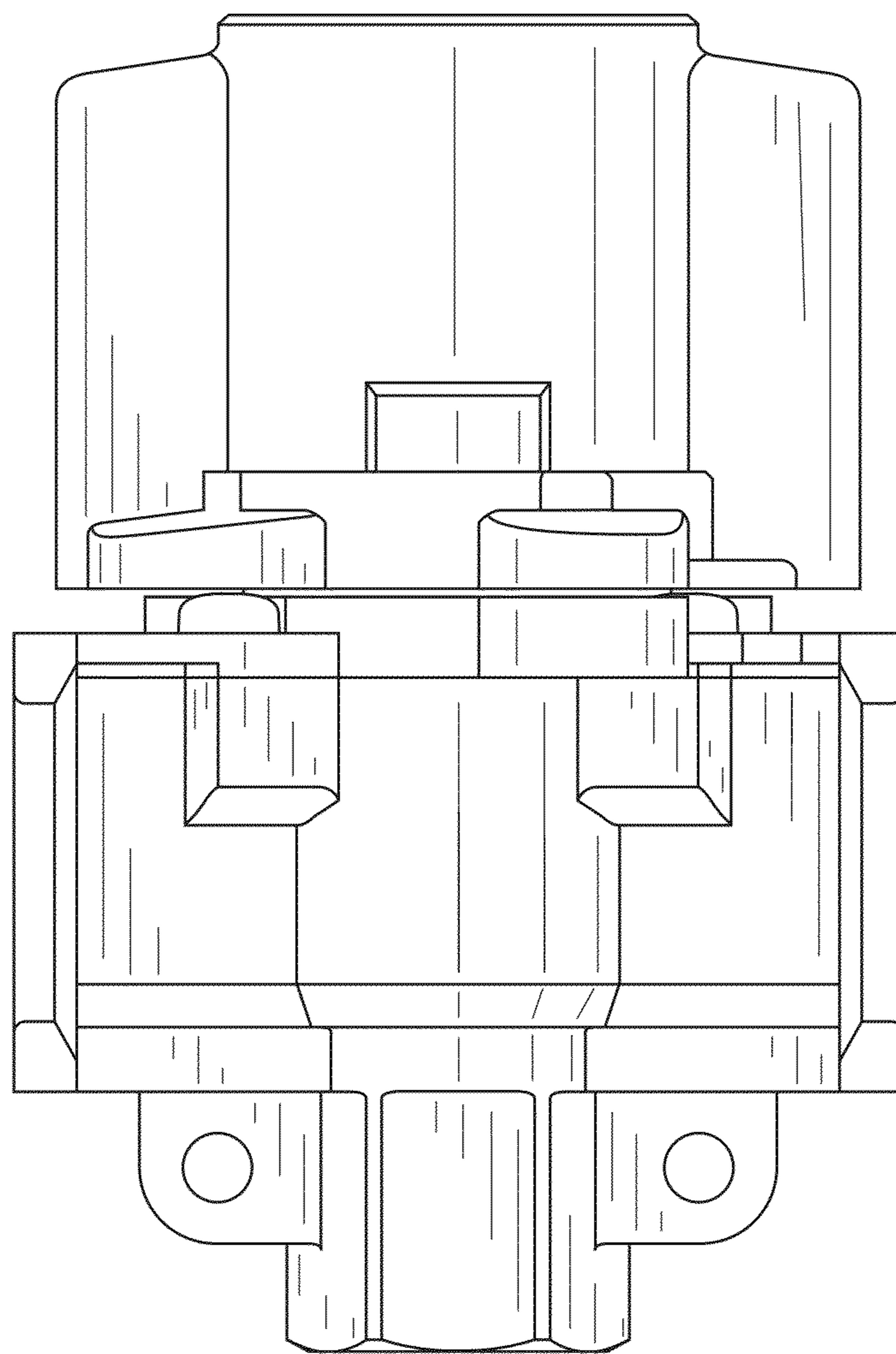


FIG. 2

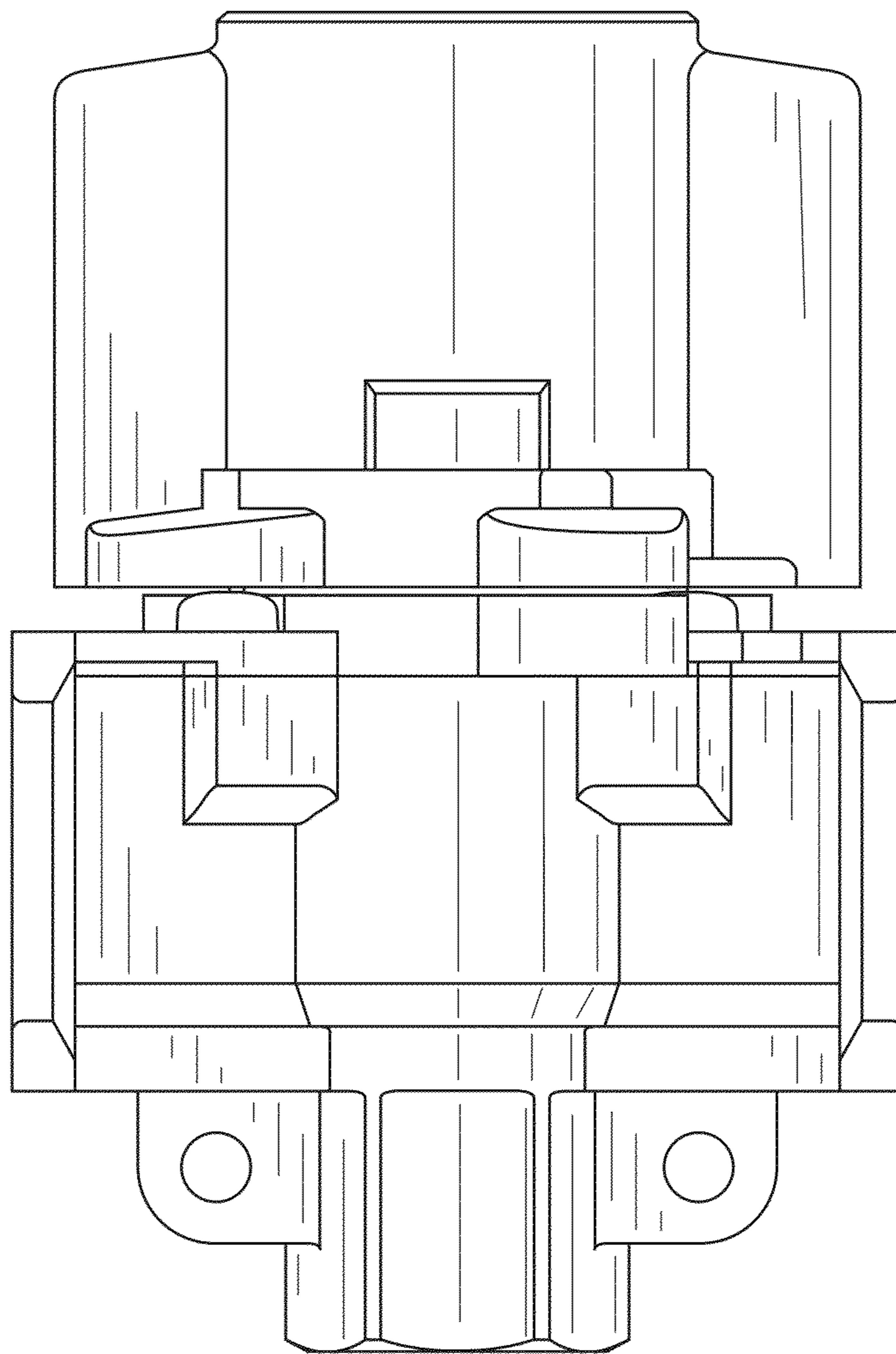


FIG. 3

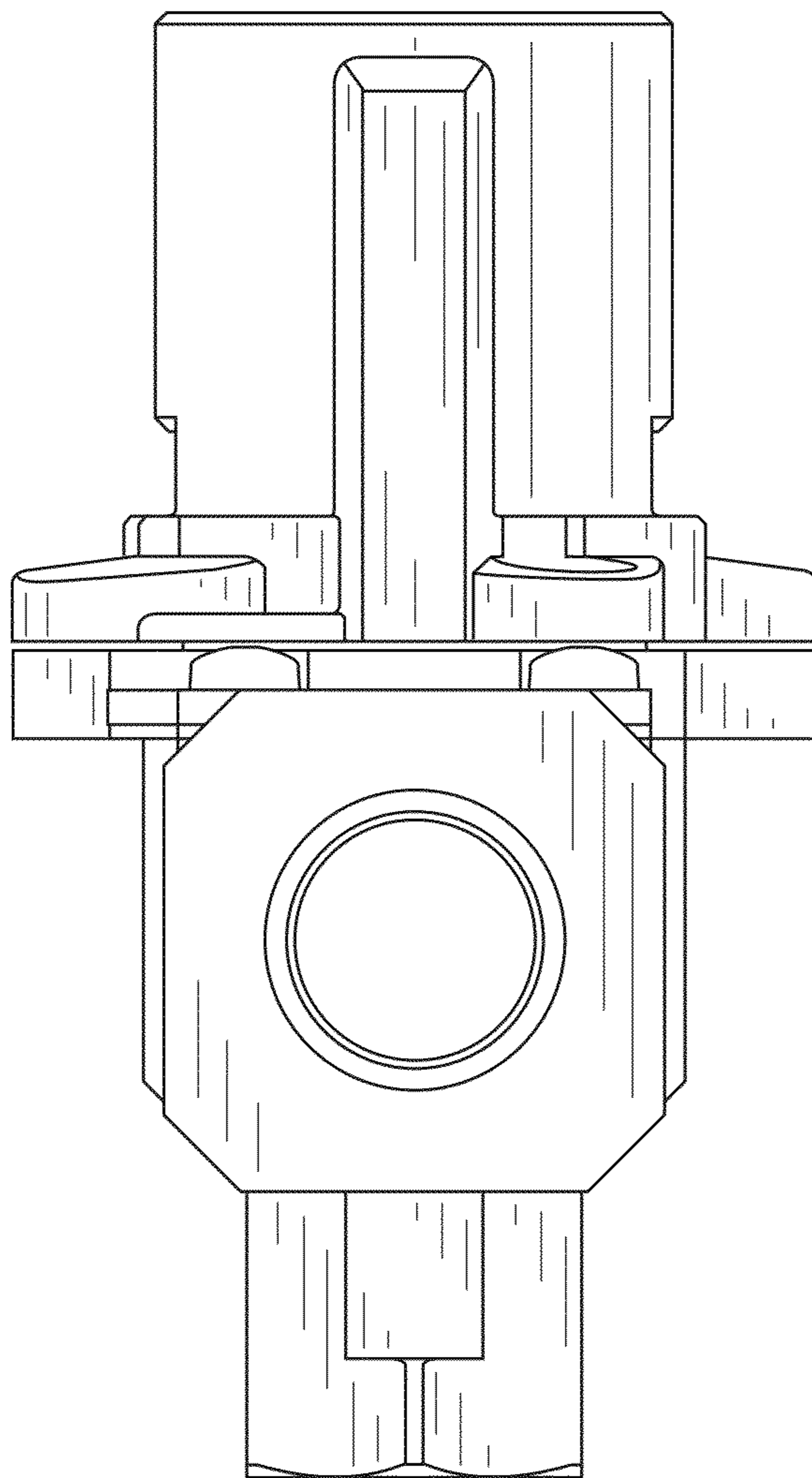


FIG. 4

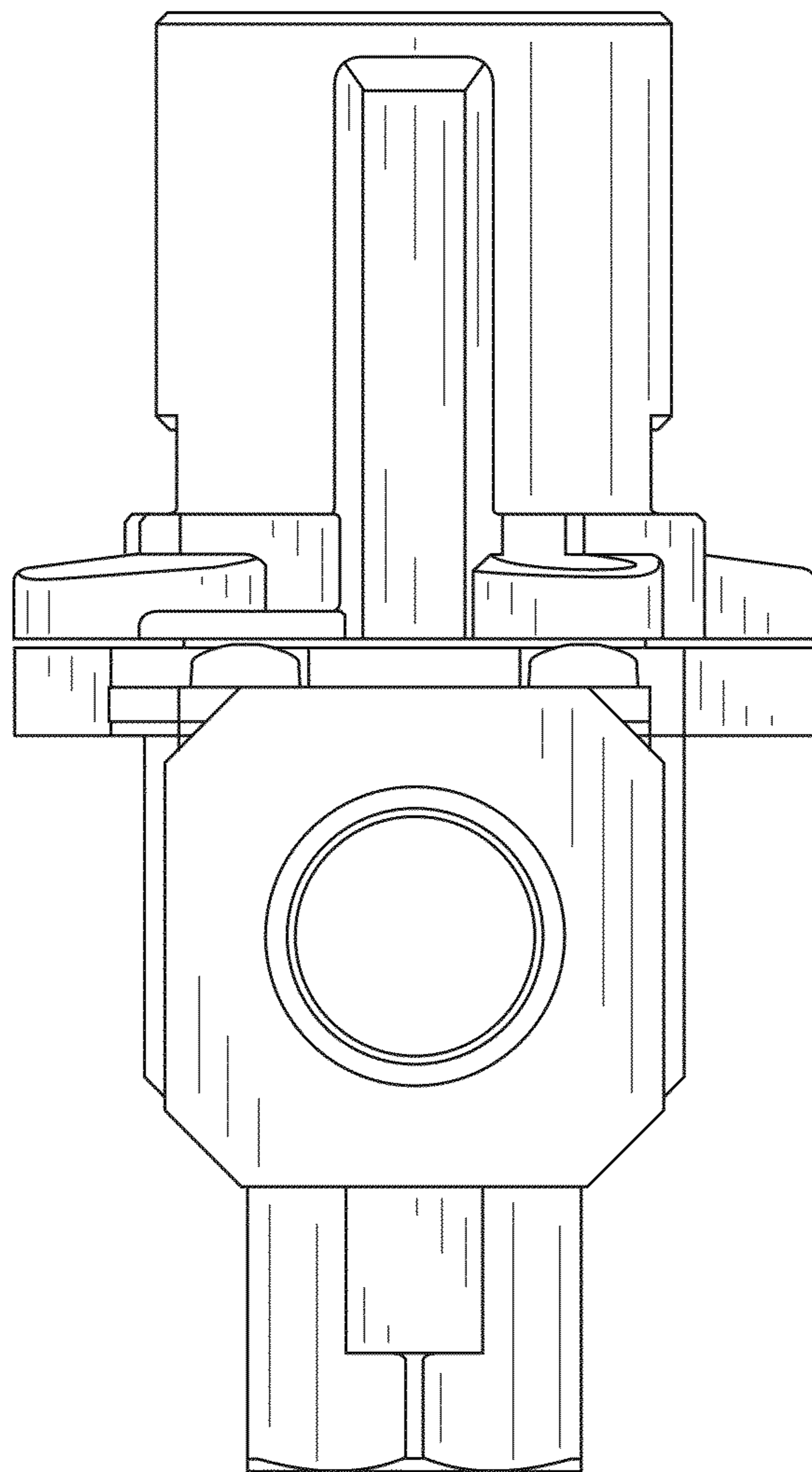


FIG. 5

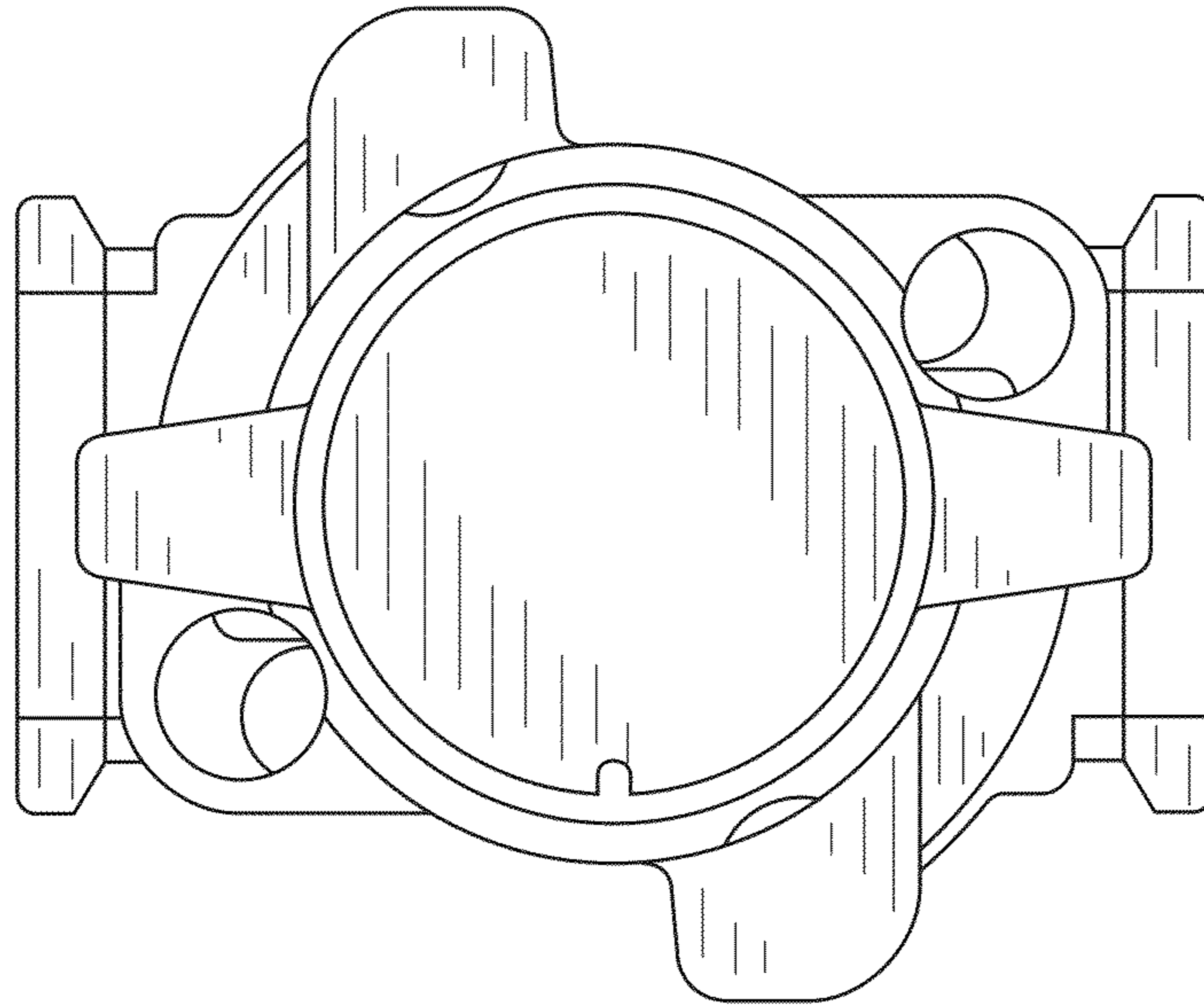


FIG. 6

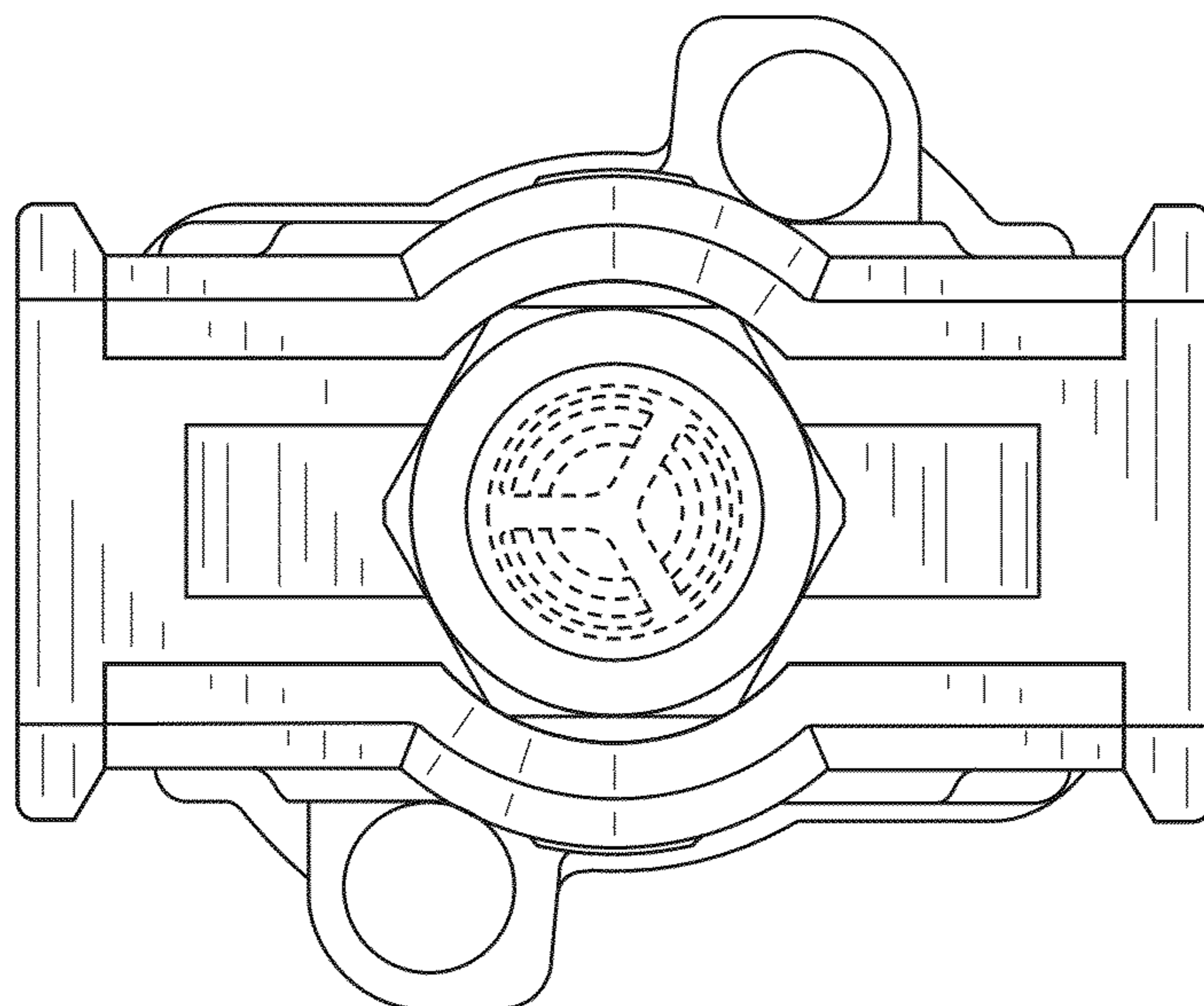


FIG. 7

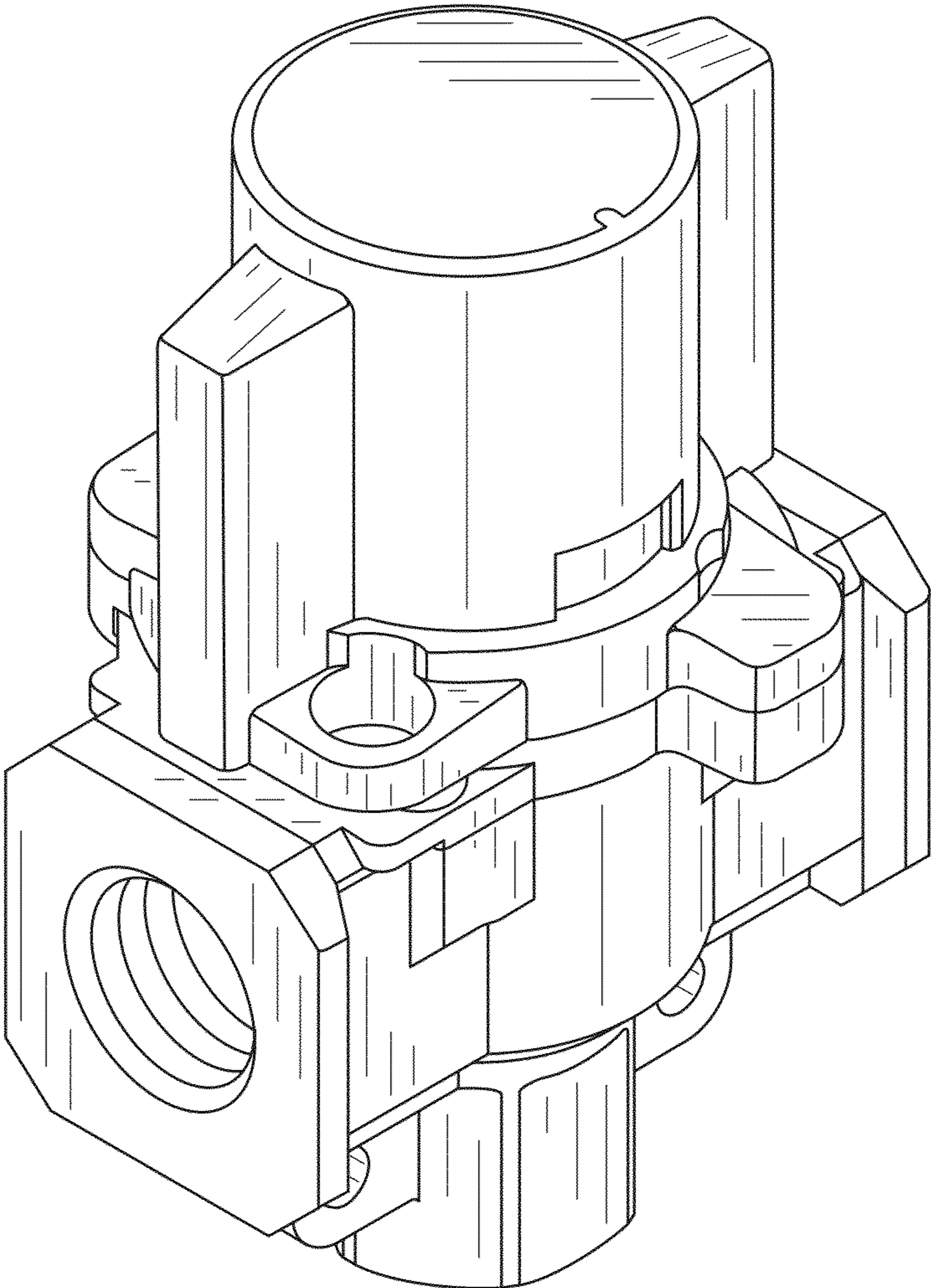


FIG. 8

